



US00D591620S

(12) **United States Design Patent**
Giannini

(10) **Patent No.:** **US D591,620 S**

(45) **Date of Patent:** **** May 5, 2009**

(54) **WRISTWATCH**

(75) Inventor: **Frida Giannini**, Florence (IT)

(73) Assignee: **Luxury Timepieces International SA**,
Cortailod (CH)

(**) Term: **14 Years**

(21) Appl. No.: **29/325,313**

(22) Filed: **Sep. 29, 2008**

(30) **Foreign Application Priority Data**

Apr. 1, 2008 (CH) 134851

(51) **LOC (9) Cl.** **10-02**

(52) **U.S. Cl.** **D10/32**

(58) **Field of Classification Search** D10/30-39,
D10/122-132; D11/3, 12; 368/28, 276,
368/281, 282, 285, 223, 21, 82-84, 239-242
See application file for complete search history.

(56) **References Cited**

U.S. PATENT DOCUMENTS

3,911,664	A *	10/1975	Haber	368/224
3,982,387	A *	9/1976	Tanaka	368/82
4,009,566	A *	3/1977	Ho	368/70
4,026,101	A *	5/1977	Moyer	368/83
4,043,112	A *	8/1977	Tanaka	368/66
4,067,185	A *	1/1978	Huguenin	368/29
4,084,401	A *	4/1978	Belardi et al.	368/34
4,167,850	A *	9/1979	Schneider	368/282
4,355,380	A *	10/1982	Huguenin et al.	368/71

5,051,967	A *	9/1991	Dismond, III	368/62
D321,665	S *	11/1991	Crocco	D10/32
5,892,455	A *	4/1999	Matsumoto	340/7.55
5,980,060	A *	11/1999	Chien	362/103
6,036,359	A *	3/2000	Pantet	368/281
6,690,623	B1 *	2/2004	Maano	368/82
D501,640	S *	2/2005	Modolo	D10/32
7,083,326	B2 *	8/2006	Ast et al.	368/296
D559,124	S *	1/2008	Modolo	D10/32
D568,175	S *	5/2008	Martinez et al.	D10/32
D574,262	S *	8/2008	Martinez et al.	D10/32

* cited by examiner

Primary Examiner—Lucy Lieberman

(74) *Attorney, Agent, or Firm*—Sughrue Mion, PLLC

(57) **CLAIM**

The ornamental design for a wristwatch, as shown and described.

DESCRIPTION

FIG. 1 is a perspective view of the front and right side of a wristwatch showing my new design;

FIG. 2 is a front elevation of the wristwatch shown with different numbers on the display;

FIG. 3 is a rear elevational view thereof;

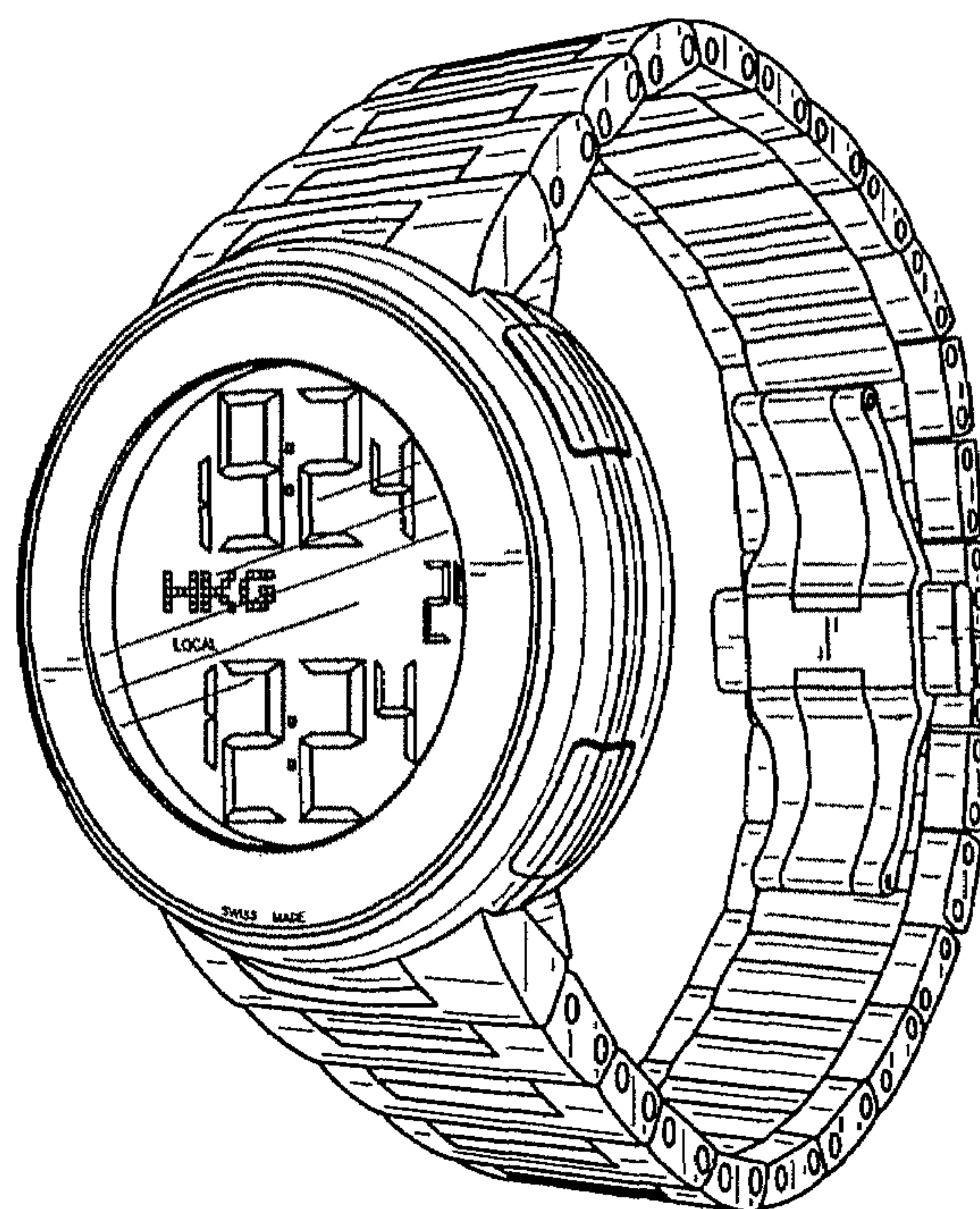
FIG. 4 is a right side elevational view thereof;

FIG. 5 is a left side elevational view thereof;

FIG. 6 is a top view thereof; and,

FIG. 7 is a bottom view thereof.

1 Claim, 2 Drawing Sheets



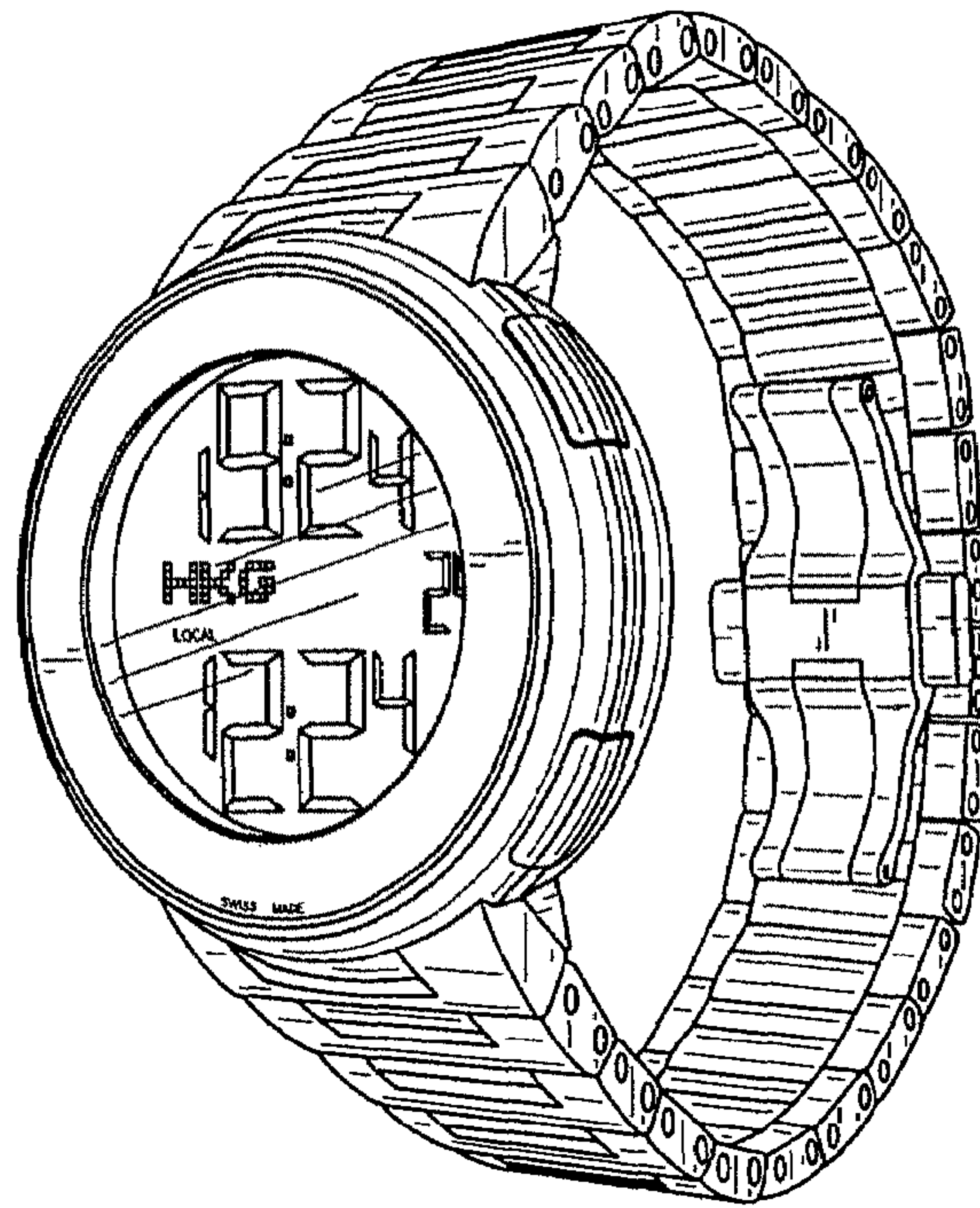


FIG. 1

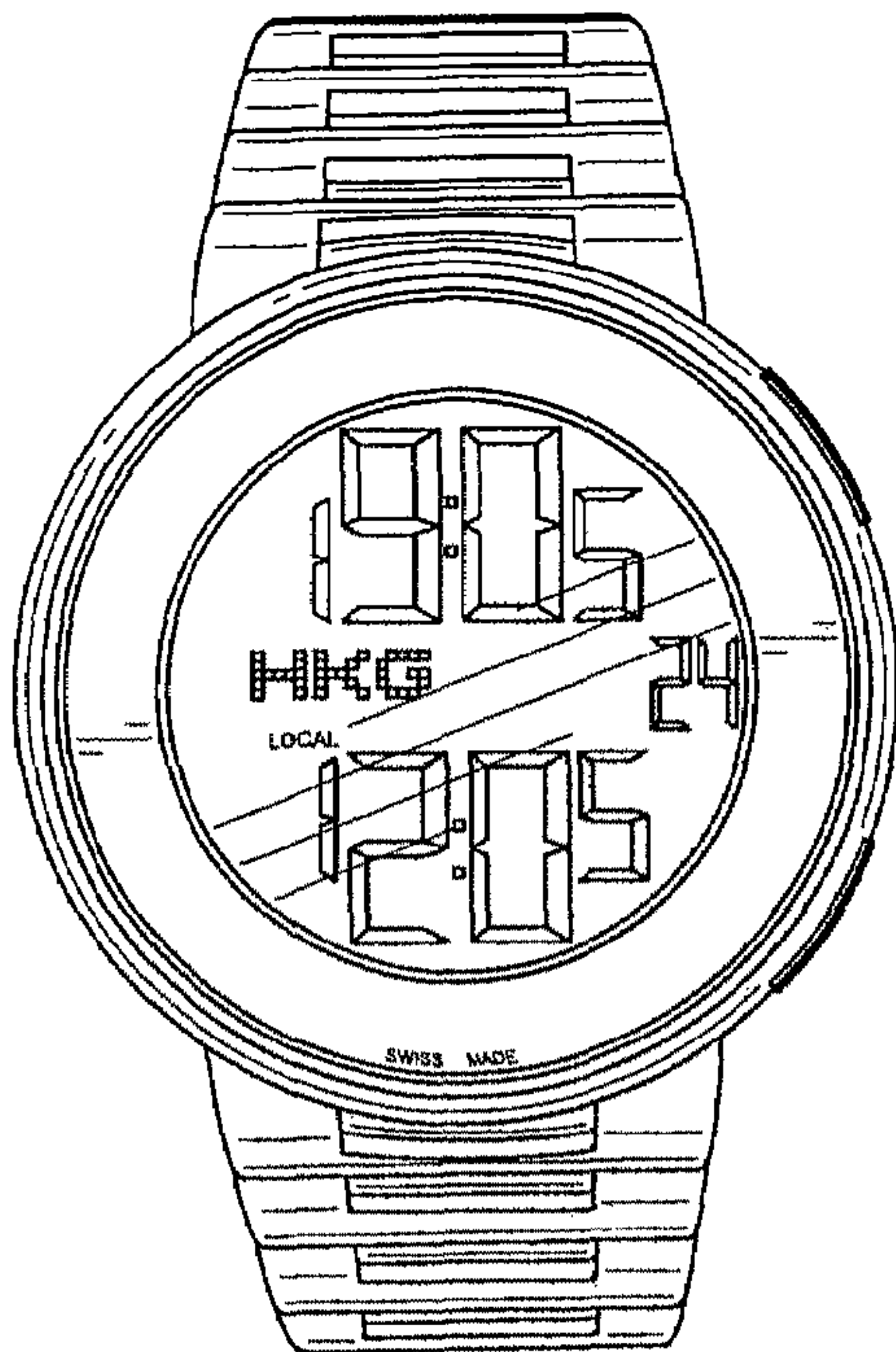


FIG. 2

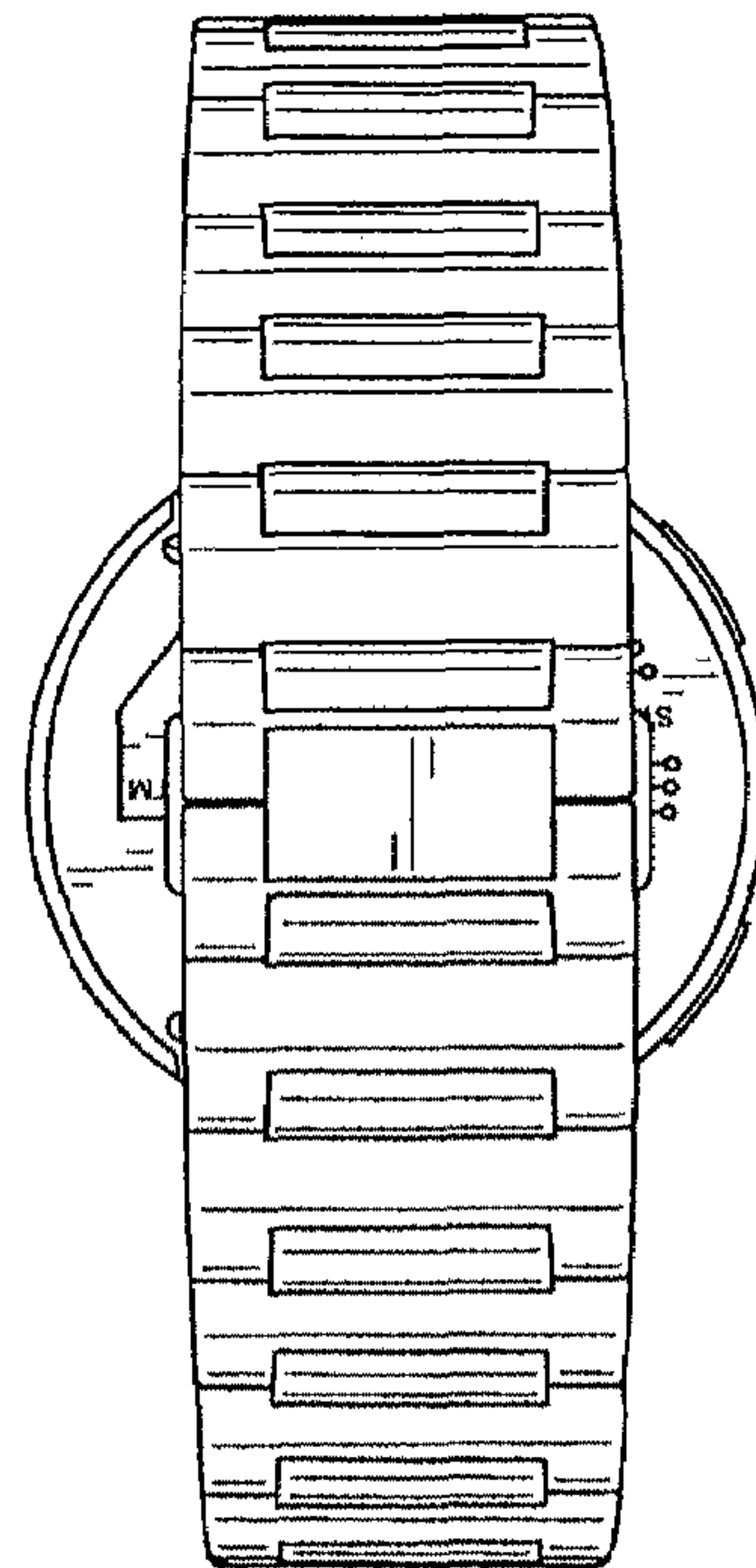


FIG. 3

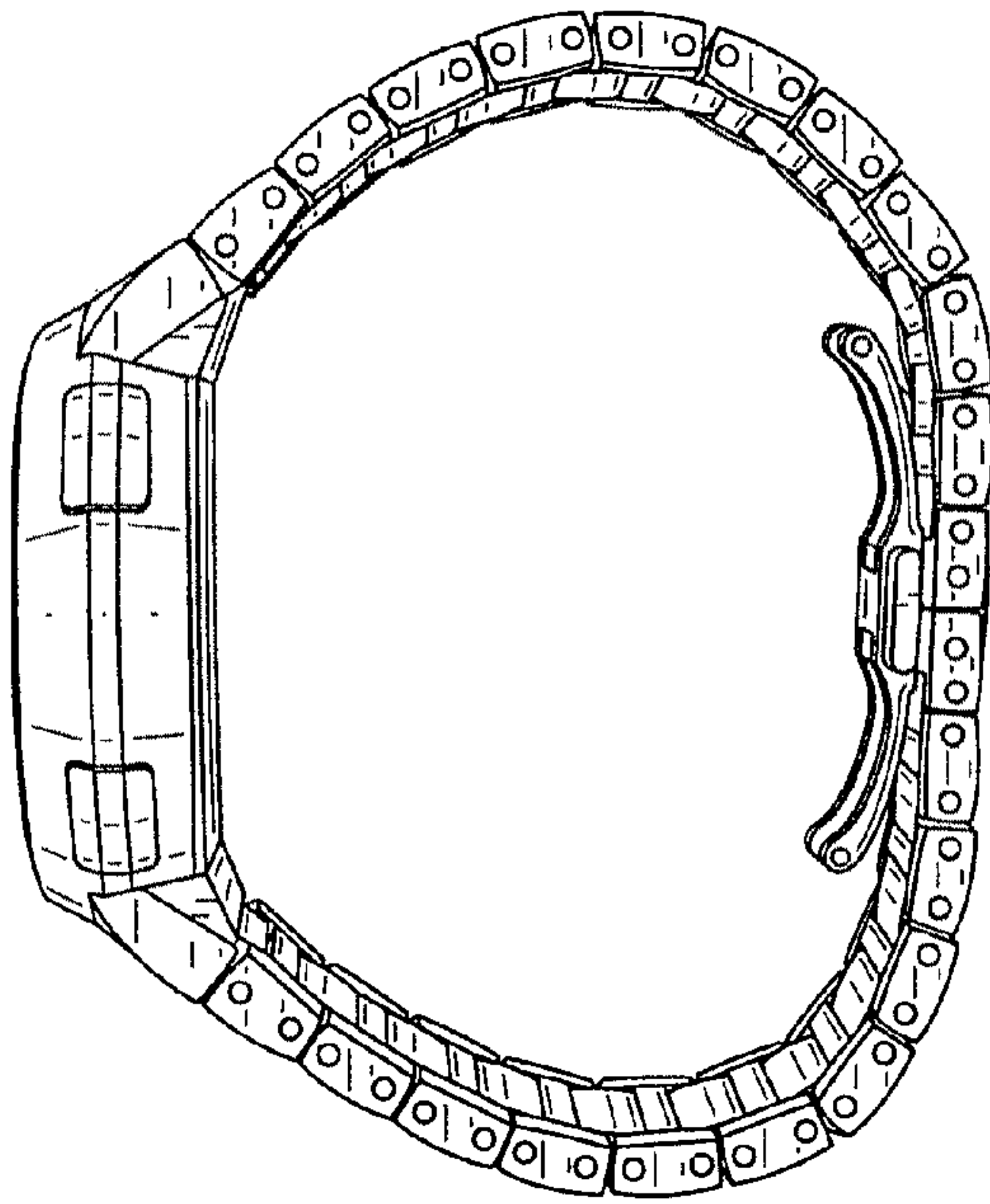


FIG. 4

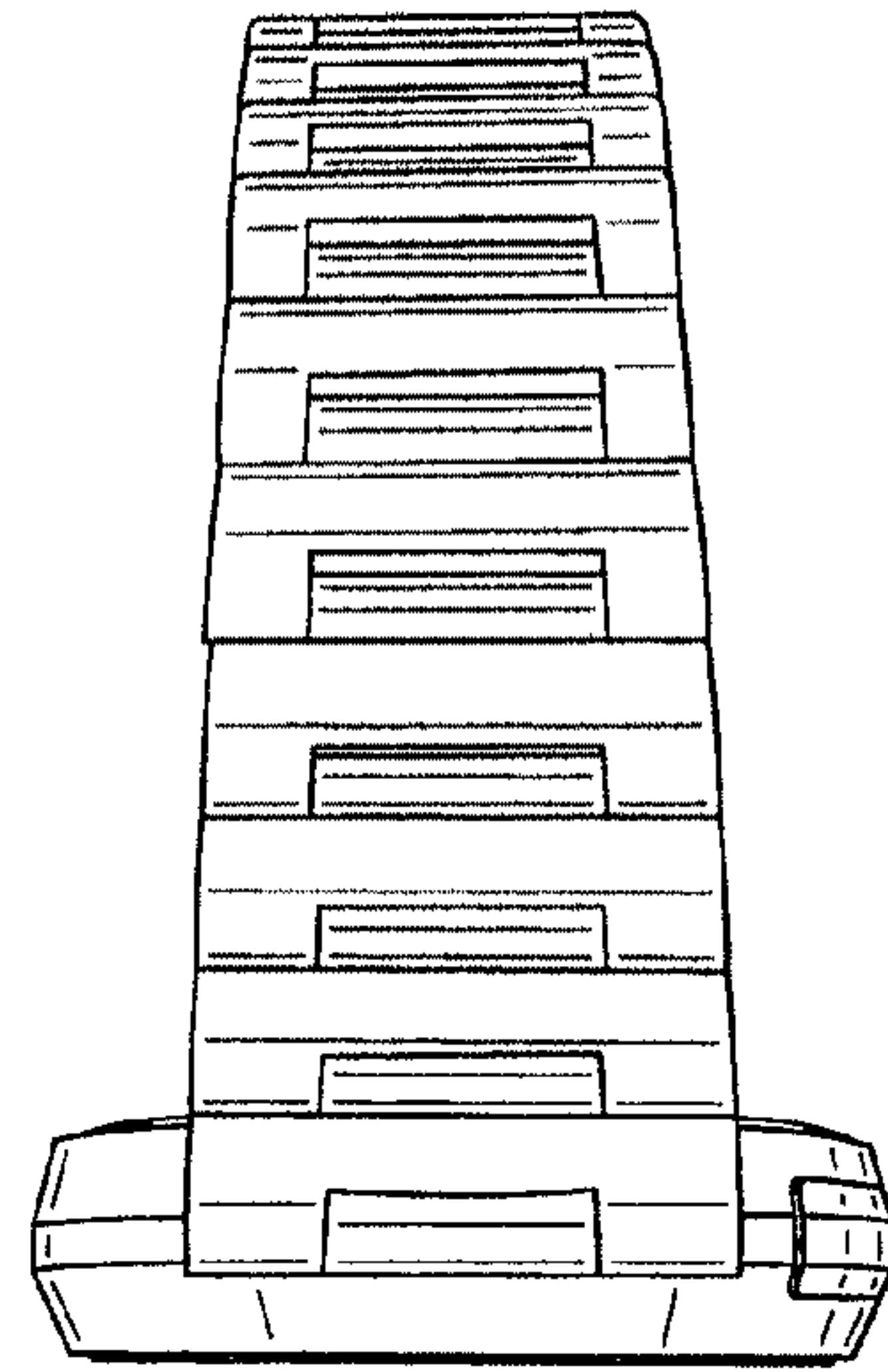


FIG. 6

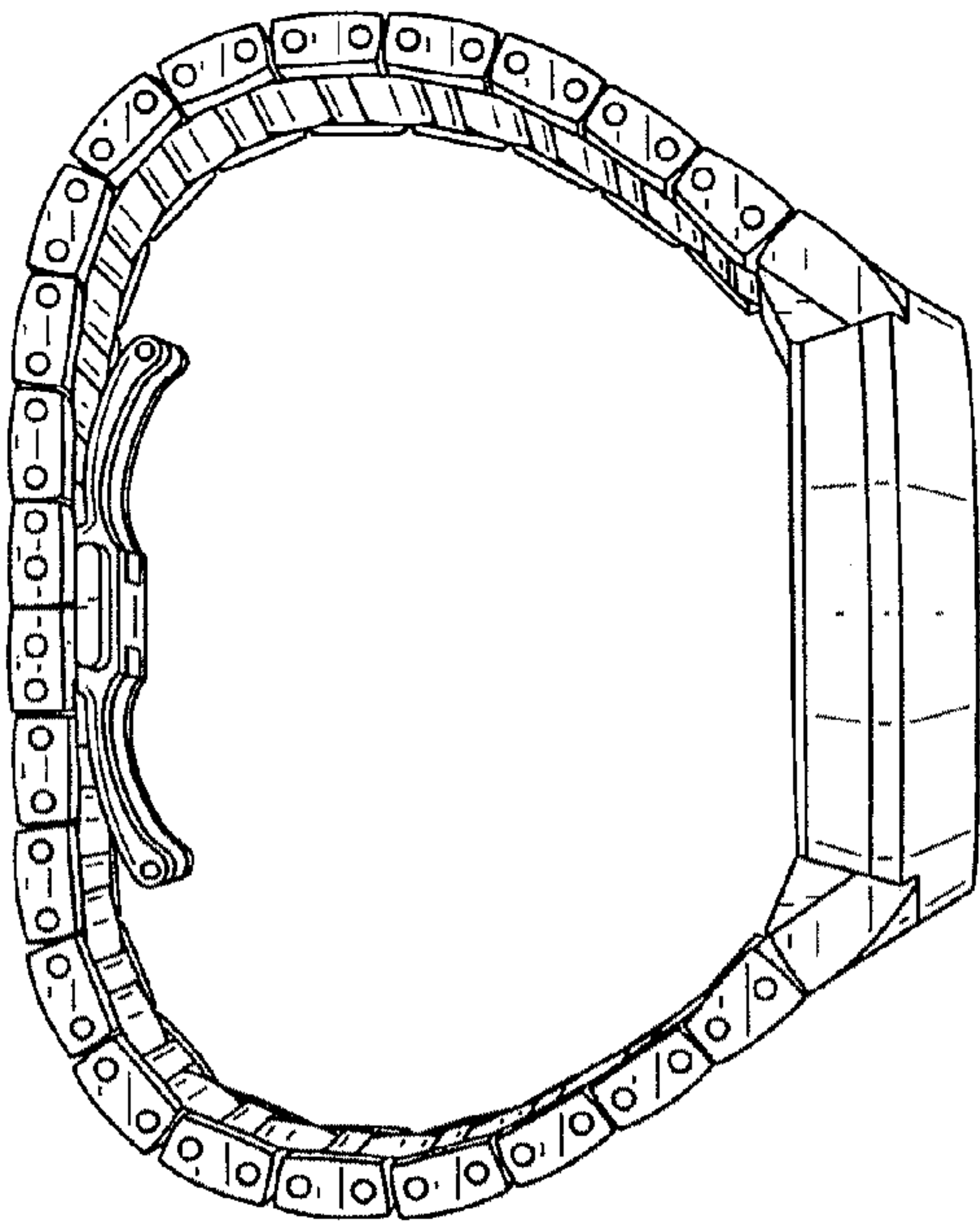


FIG. 5

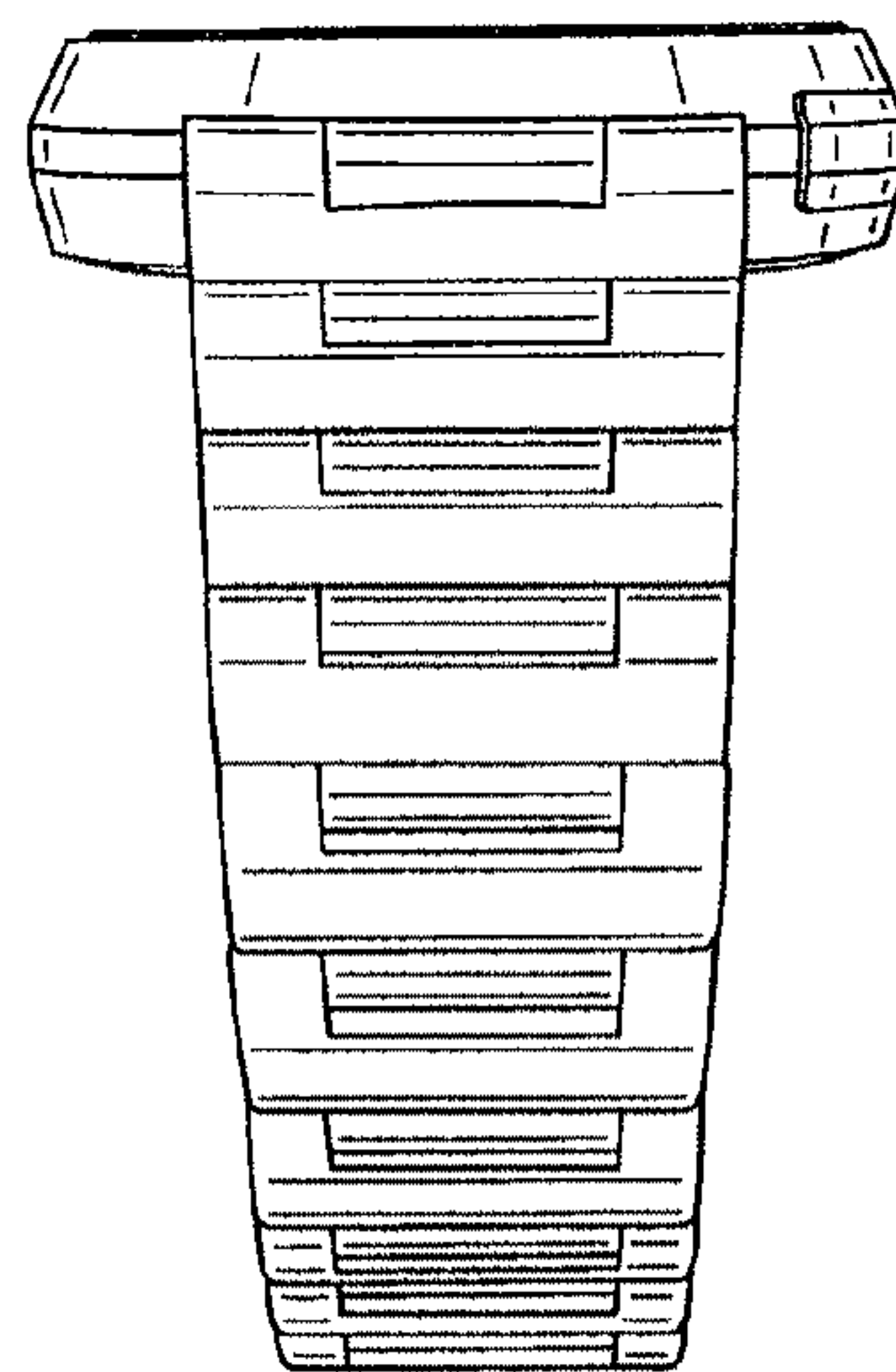


FIG. 7