

US00D591614S

(12) **United States Design Patent**  
**Isogai et al.**

(10) **Patent No.:** **US D591,614 S**  
(45) **Date of Patent:** **\*\* May 5, 2009**

(54) **POUCH**

(75) Inventors: **Mineo Isogai**, Nagoya (JP); **Nobuo Tsuyuki**, Nagoya (JP)

(73) Assignee: **Toyo Machine Manufacturing Co., Ltd.**, Nagoya-shi (JP)

(\*\*) Term: **14 Years**

(21) Appl. No.: **29/309,656**

(22) Filed: **Sep. 23, 2008**

(30) **Foreign Application Priority Data**

May 28, 2008 (JP) ..... 2008-013374

(51) **LOC (9) Cl.** ..... **09-05**

(52) **U.S. Cl.** ..... **D9/702**

(58) **Field of Classification Search** ..... D9/702-710,  
D9/713-714, 720-722, 430-432, 414, 418,  
D9/424; 383/100, 103, 108, 113, 114, 61.1,  
383/63, 901; 229/87.06; 426/106; 222/92,  
222/107; 206/822, 308.1

See application file for complete search history.

(56) **References Cited**

U.S. PATENT DOCUMENTS

- D319,176 S \* 8/1991 Sherman ..... D9/710
- D442,078 S \* 5/2001 Fuquen ..... D9/707
- D462,609 S \* 9/2002 Jones ..... D9/710
- D463,265 S \* 9/2002 Jones ..... D9/710
- D463,266 S \* 9/2002 Zappa ..... D9/710
- D466,003 S \* 11/2002 Jones et al. .... D9/710
- D500,951 S \* 1/2005 Tobolka ..... D9/710
- D545,688 S \* 7/2007 Donovan ..... D9/703

- D561,604 S \* 2/2008 Galor ..... D9/702
- D578,014 S \* 10/2008 Friedland et al. .... D9/707
- D578,016 S \* 10/2008 Friedland et al. .... D9/707
- D578,018 S \* 10/2008 Friedland et al. .... D9/707

FOREIGN PATENT DOCUMENTS

JP D1321575 2/2008

\* cited by examiner

*Primary Examiner*—Caron Veynar

*Assistant Examiner*—Abraham Bahta

(74) *Attorney, Agent, or Firm*—Edwards Angell Palmer & Dodge LLP

(57) **CLAIM**

The ornamental design for a pouch, as shown and described.

**DESCRIPTION**

FIG. 1 is a plan view of a pouch showing our new design;

FIG. 2 is a bottom view thereof;

FIG. 3 is a front view thereof;

FIG. 4 is a rear view thereof;

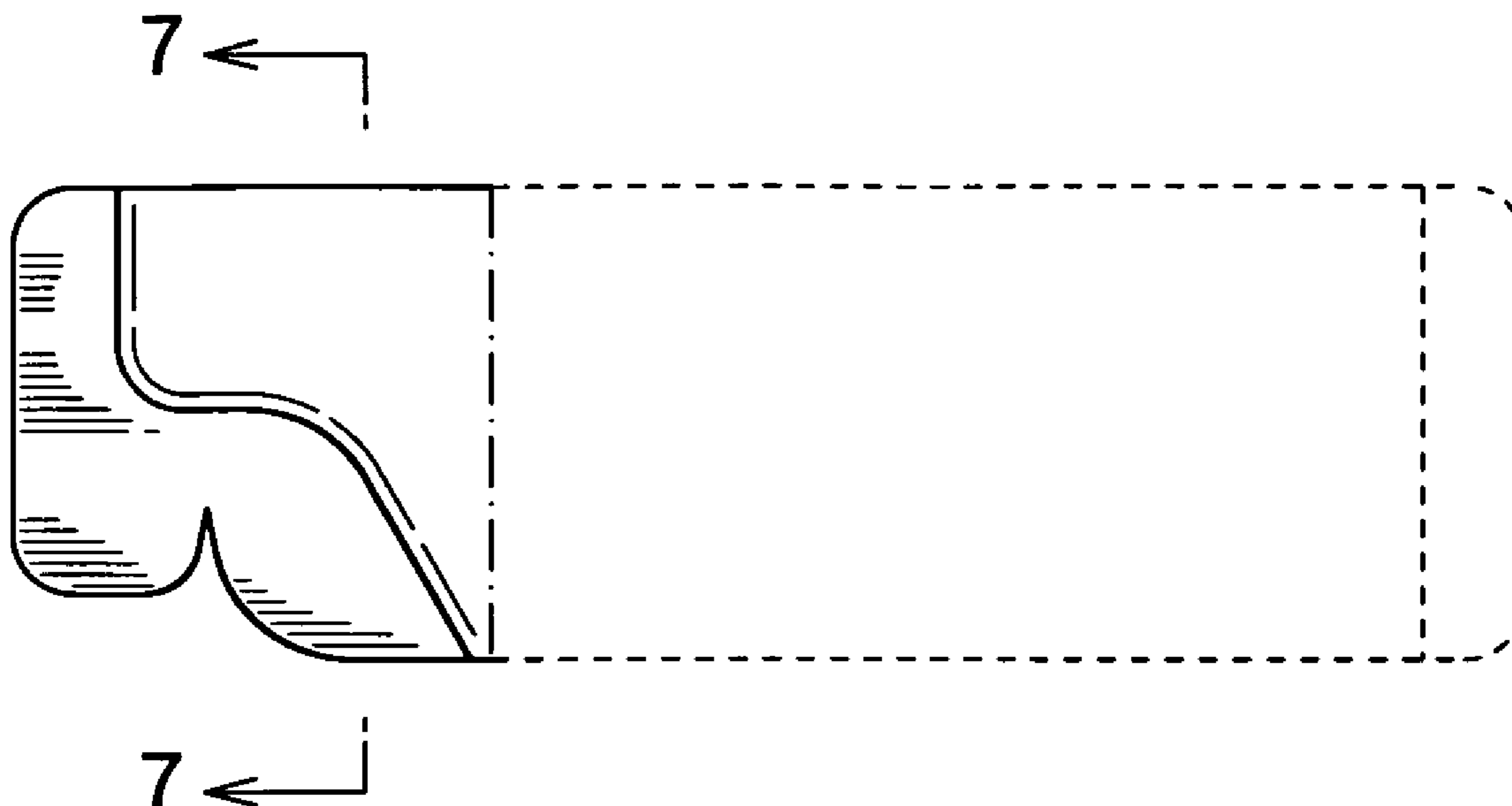
FIG. 5 is a left view thereof;

FIG. 6 is a right view thereof; and,

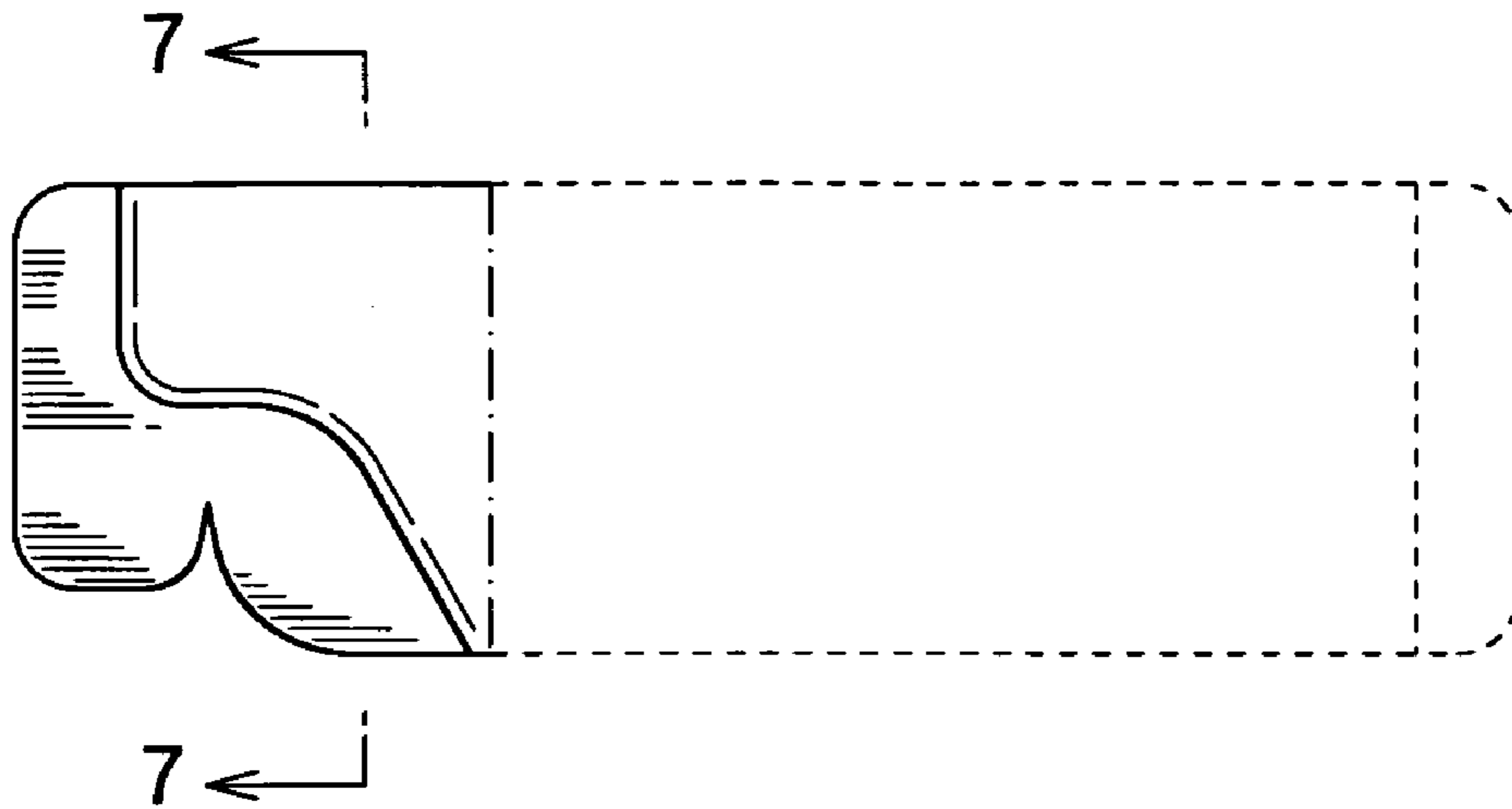
FIG. 7 is a cross-sectional view taken along line 7—7 of FIG. 1.

The broken lines shown in the drawings are for illustrative purposes only and form no part of the claimed design. The lines consisting of long lines and dots indicate conceptual border lines between the claimed portion and the disclaimed portion.

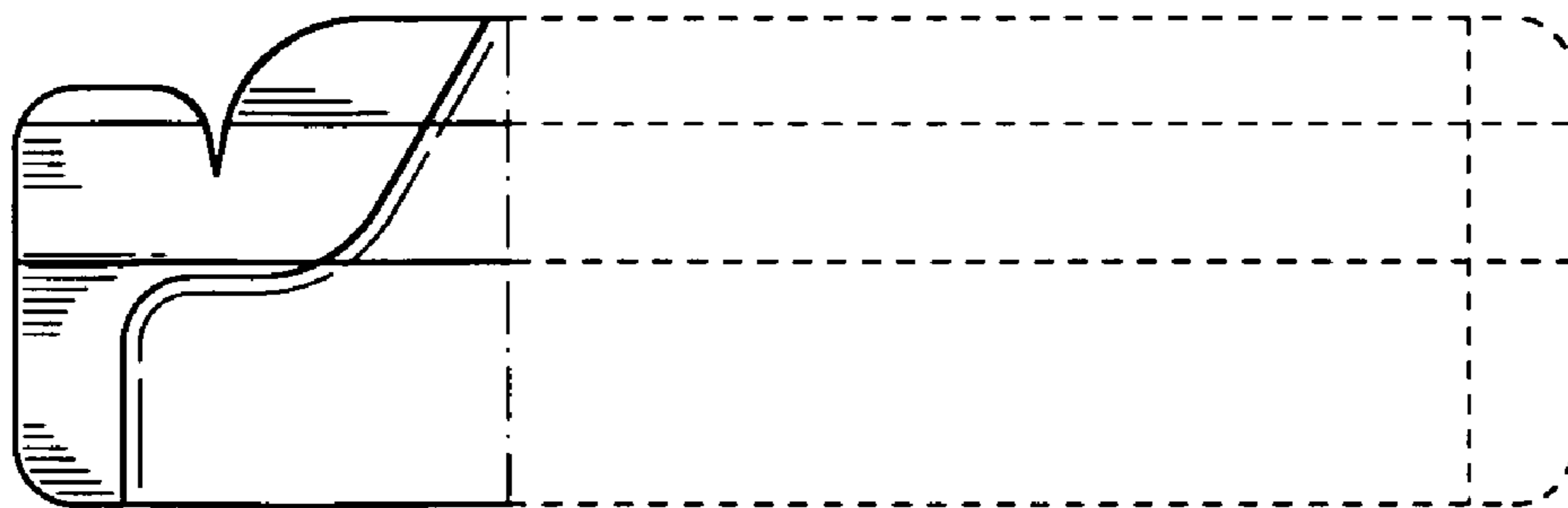
**1 Claim, 3 Drawing Sheets**



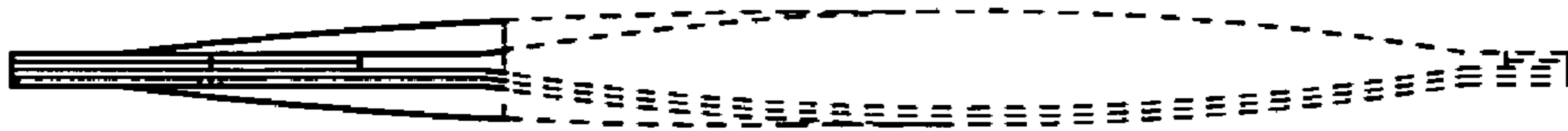
F i g . 1



F i g . 2



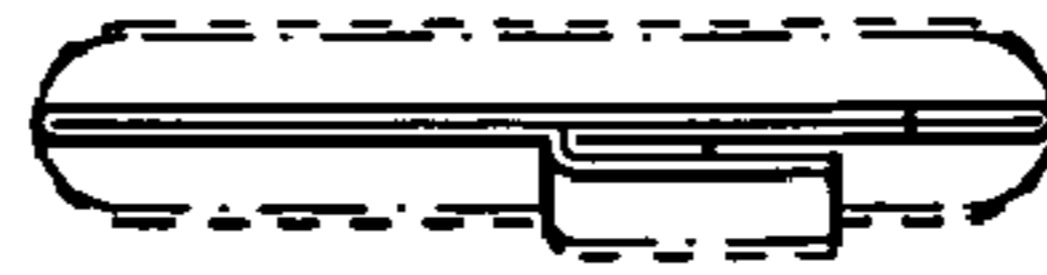
F i g . 3



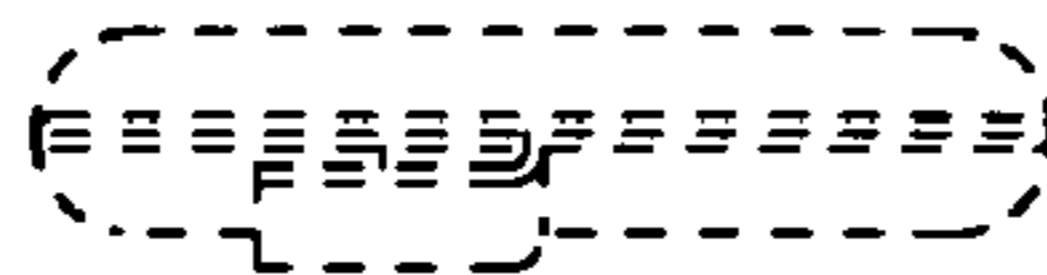
F i g . 4



F i g . 5



F i g . 6



F i g . 7

