



US00D591611S

(12) **United States Design Patent**  
**Wilburn**

(10) **Patent No.:** **US D591,611 S**

(45) **Date of Patent:** **\*\* May 5, 2009**

(54) **RACE CAR SOLID STICK DEODORANT DISPENSER**

D506,036 S \* 6/2005 Mitchell et al. .... D21/549  
D535,708 S \* 1/2007 Yuen ..... D21/548  
D542,361 S \* 5/2007 Yuen ..... D21/548

(75) Inventor: **Connie Wilburn**, Lafayette, TN (US)

\* cited by examiner

(73) Assignee: **Workhorse L.L.C.**, Lebanon, TN (US)

*Primary Examiner*—Sandra Morris

(\*\*) Term: **14 Years**

(74) *Attorney, Agent, or Firm*—Sturm & Fix LLP

(21) Appl. No.: **29/305,020**

(57) **CLAIM**

(22) Filed: **Mar. 12, 2008**

The ornamental design for a race car solid stick deodorant dispenser, as shown and described.

(51) **LOC (9) Cl.** ..... **09-01**

(52) **U.S. Cl.** ..... **D9/675; D9/729; D21/549**

(58) **Field of Classification Search** ..... D3/270–271.1,  
D3/271.11–271.12; D9/600, 672–675, 723,  
D9/727–729; D21/548–550; 220/890; 206/457,  
206/459.1, 822, 823; D7/606, 613, 619.2,  
D7/628

See application file for complete search history.

**DESCRIPTION**

FIG. 1 is a front perspective view of the race car solid stick deodorant dispenser showing my new design;

FIG. 2 is an exploded perspective view thereof showing the cap of the dispenser removed;

FIG. 3 is a rear perspective view thereof;

FIG. 4 is the right side elevational view thereof;

FIG. 5 is the left side elevational view thereof;

FIG. 6 is a front elevational view thereof;

FIG. 7 is a rear elevational view thereof;

FIG. 8 is a top plan view thereof; and,

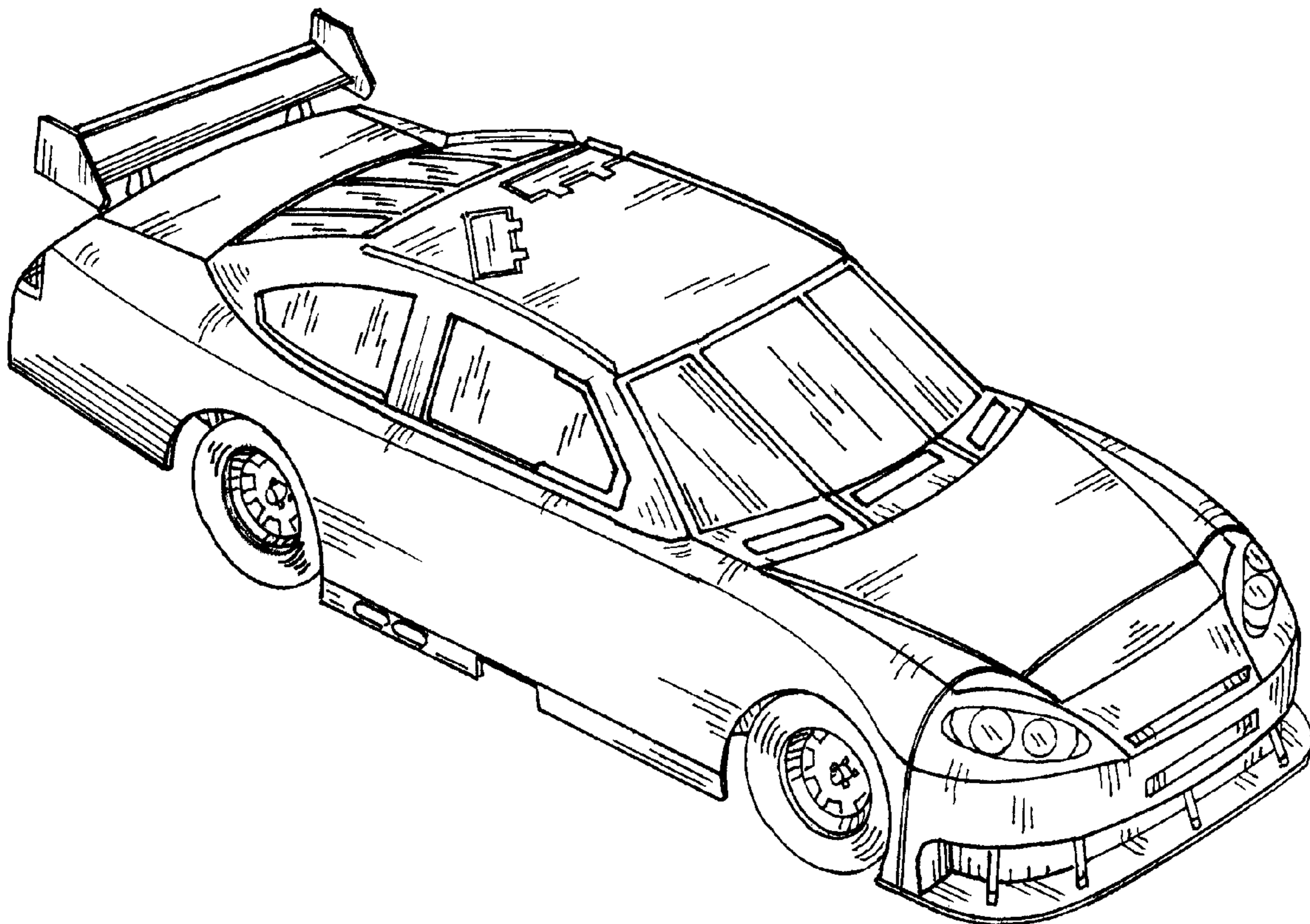
FIG. 9 is a bottom plan view thereof.

(56) **References Cited**

**U.S. PATENT DOCUMENTS**

D333,977 S \* 3/1993 Gatrost et al. .... D9/729  
D349,632 S \* 8/1994 Nicholson et al. .... D7/613  
D393,021 S \* 3/1998 Box ..... D9/675  
D397,868 S \* 9/1998 Huang ..... D3/271.2  
6,112,887 A \* 9/2000 Harrison ..... 206/457  
D436,527 S \* 1/2001 Bergersen ..... D9/675

**1 Claim, 6 Drawing Sheets**



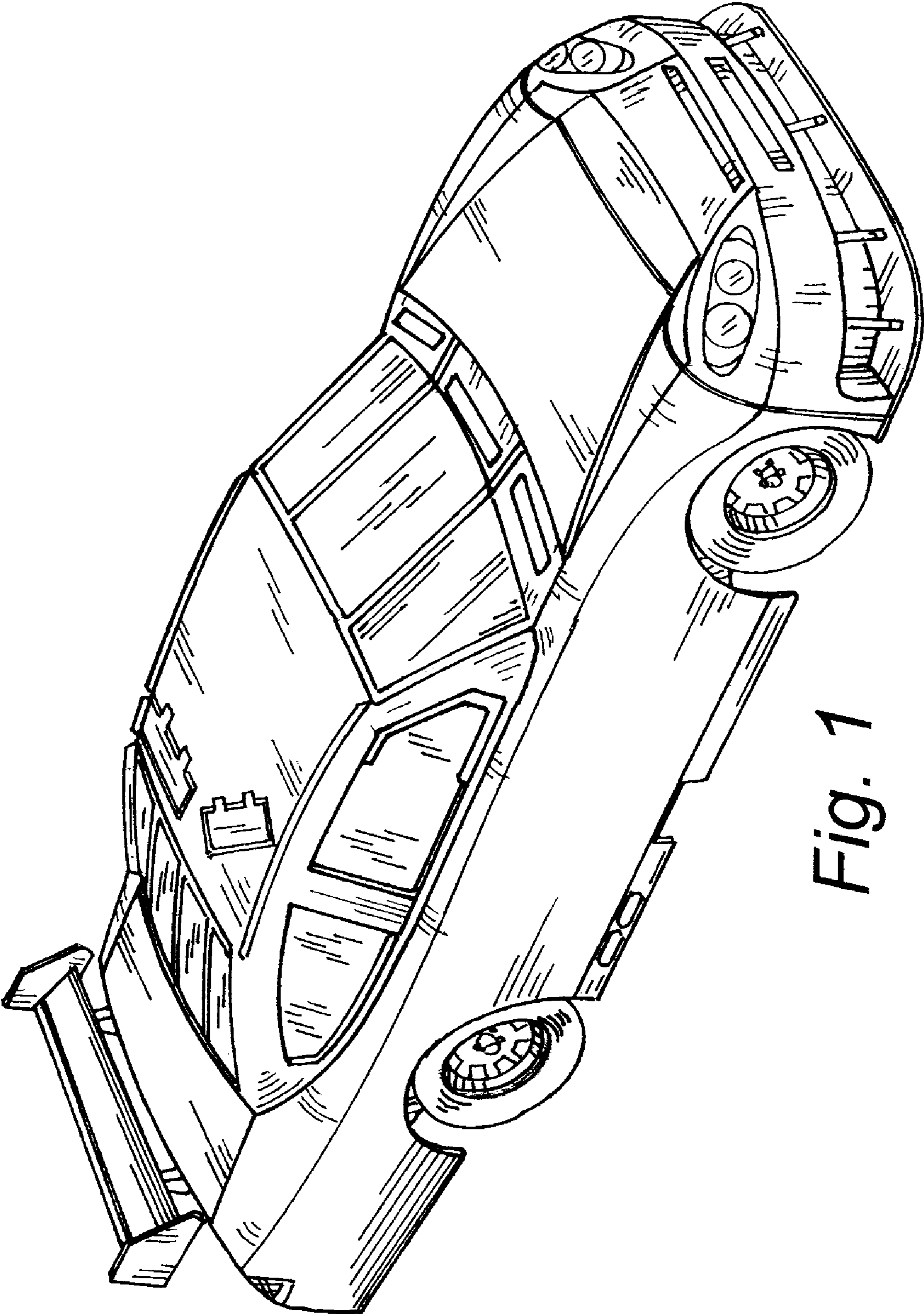


Fig. 1

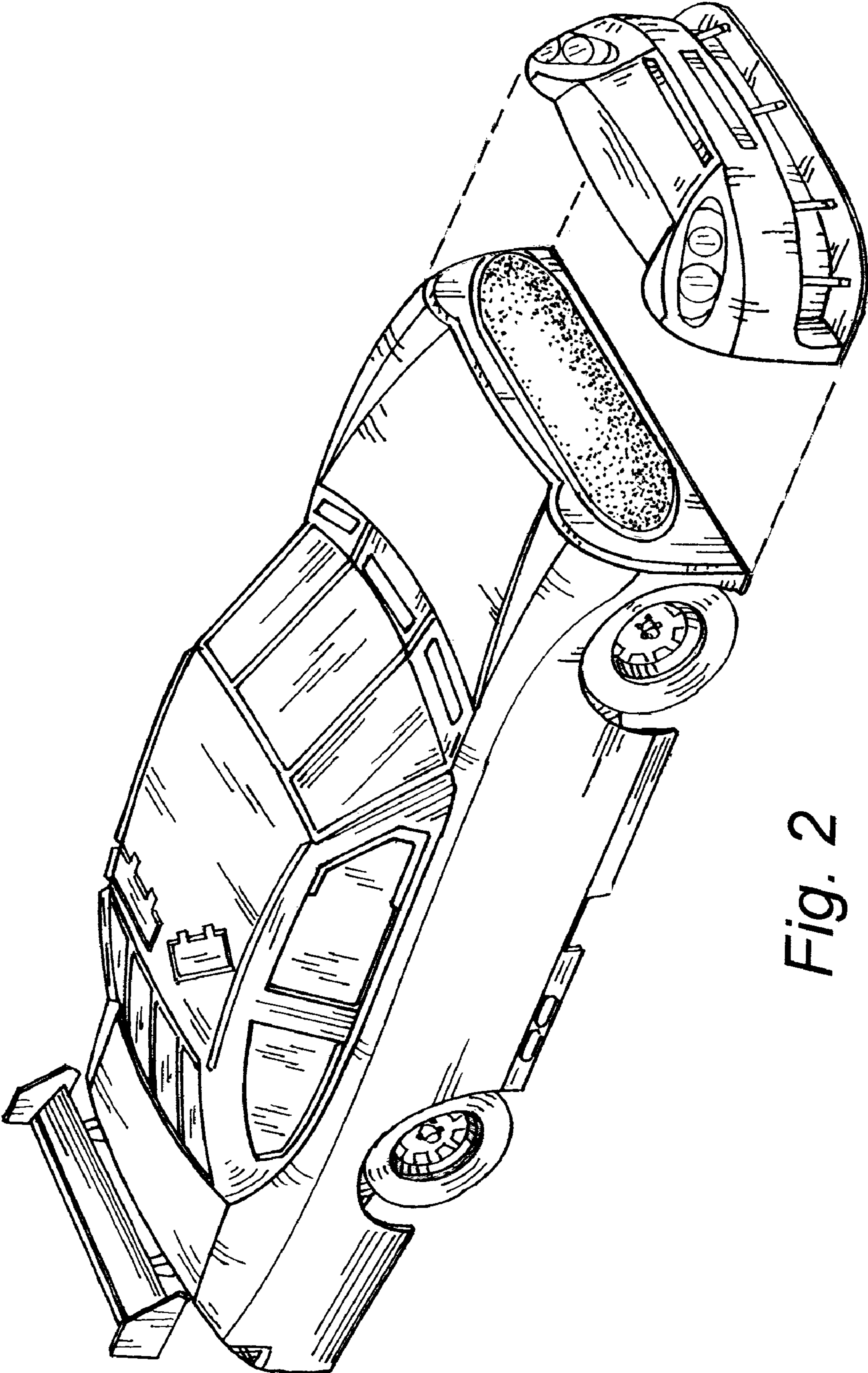


Fig. 2

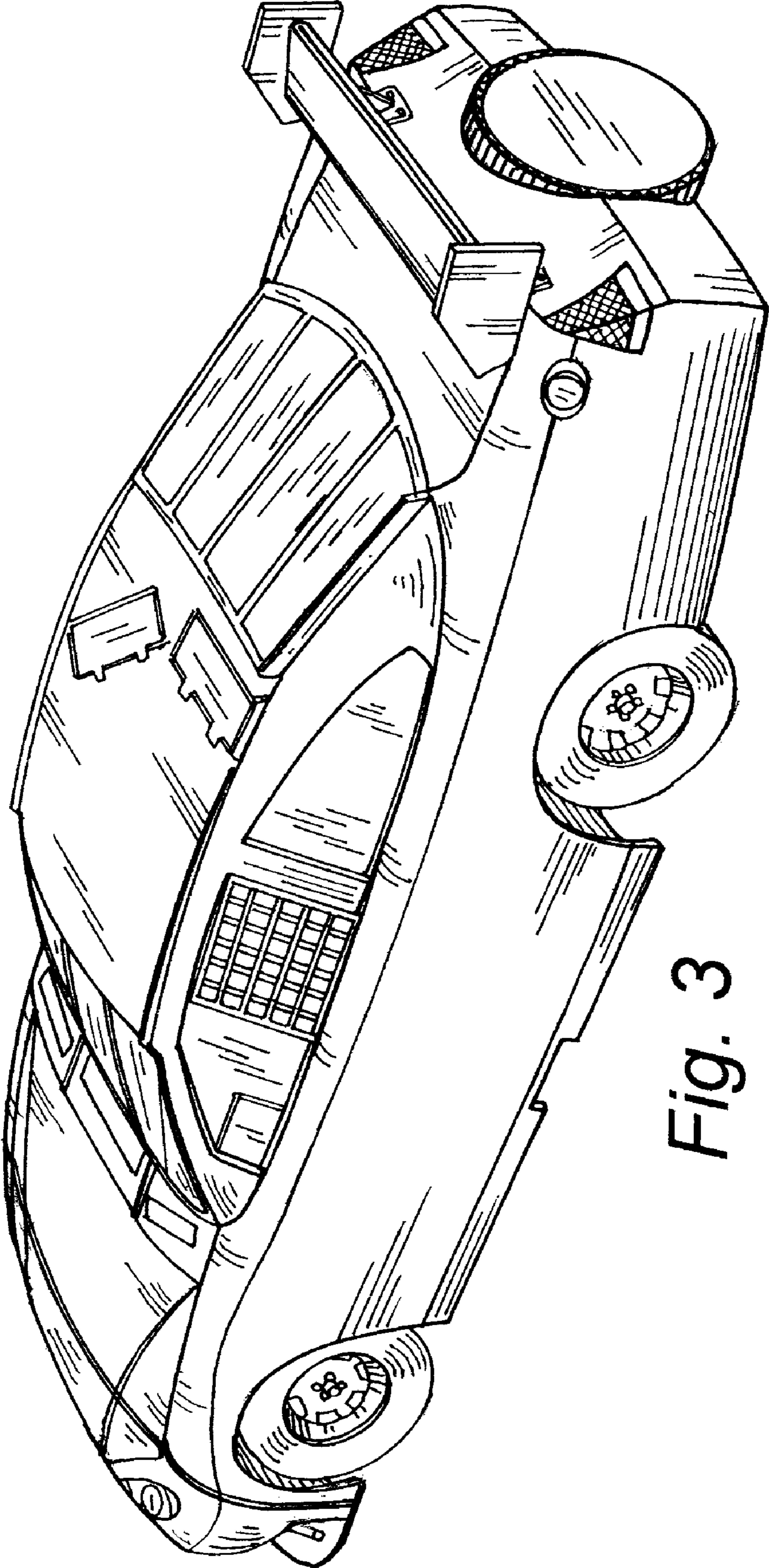


Fig. 3

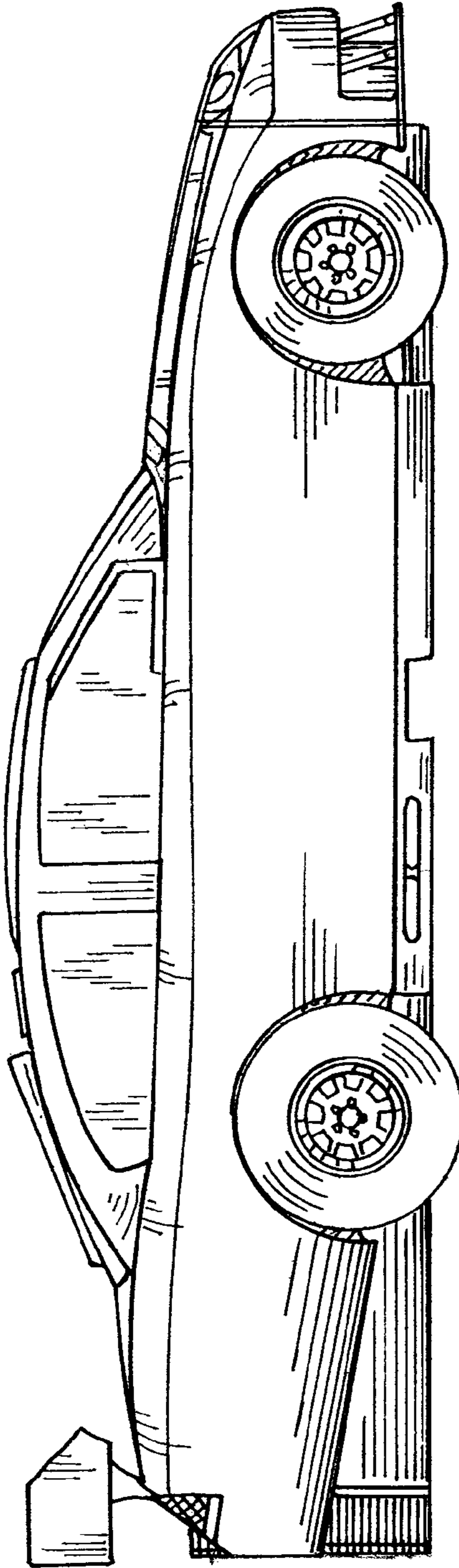


Fig. 4

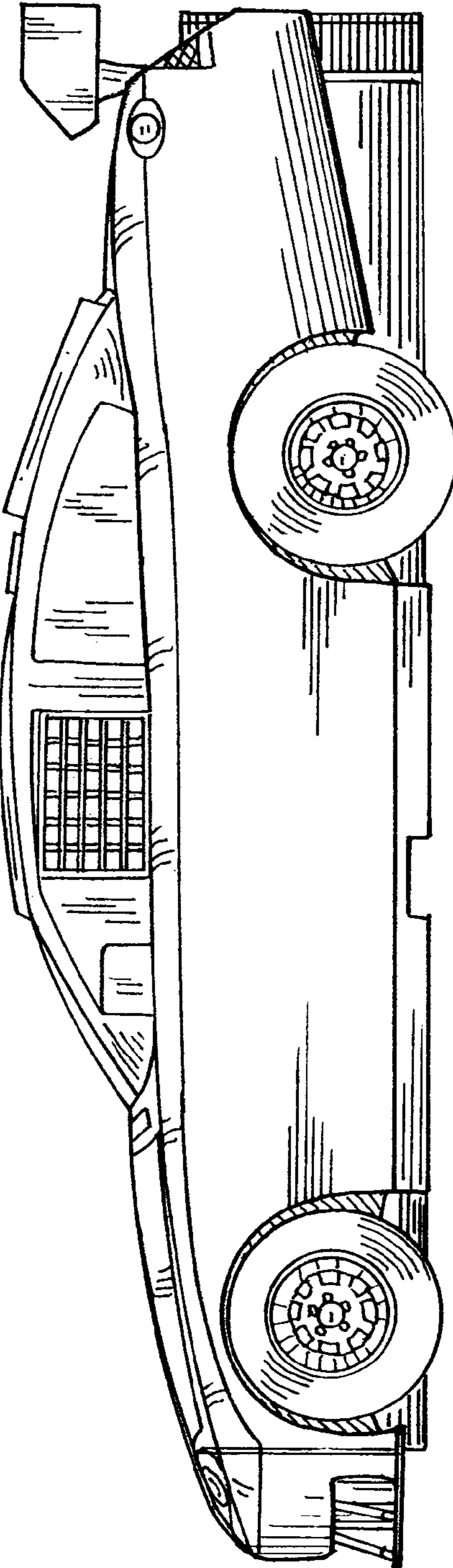


Fig. 5

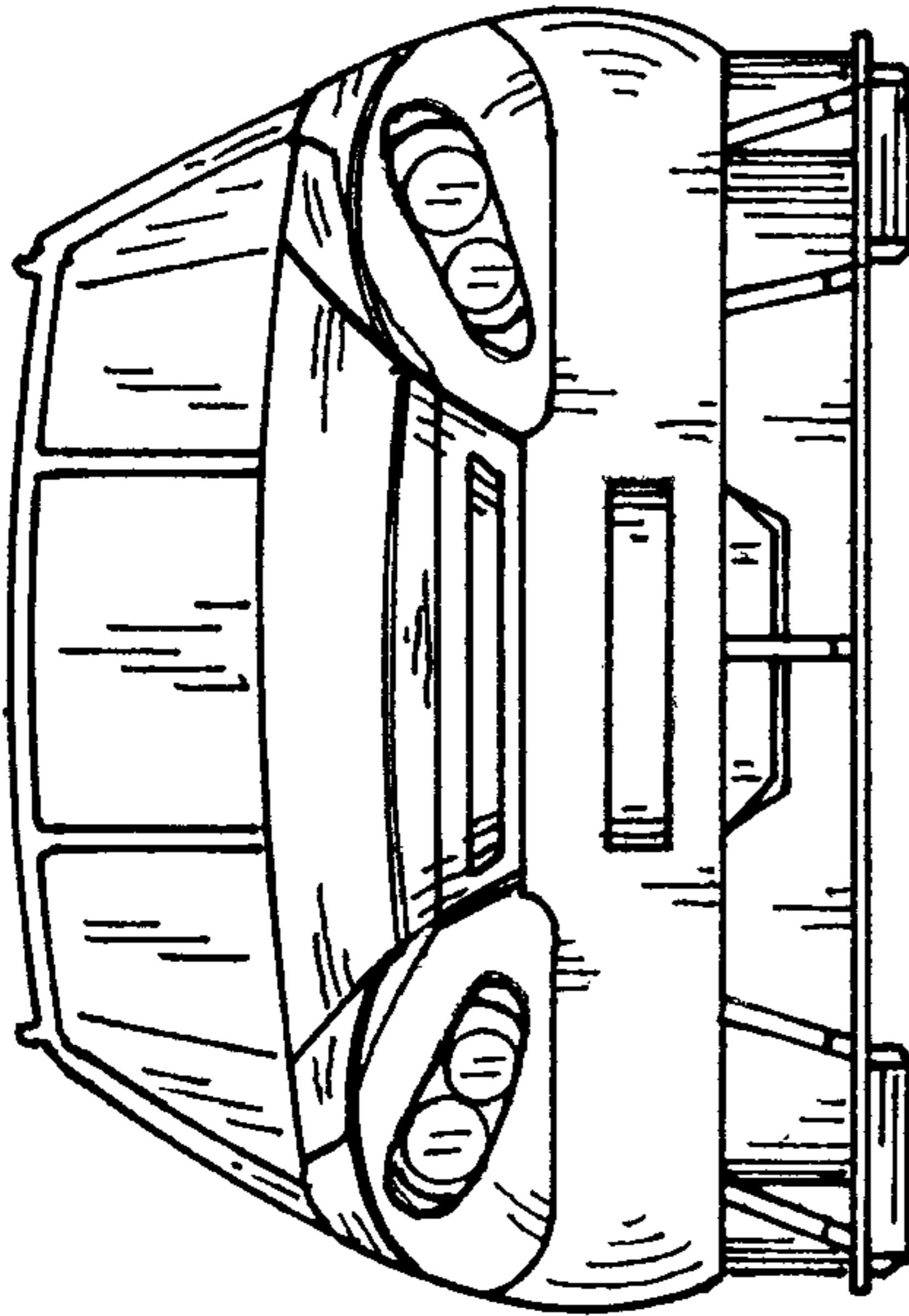


Fig. 6

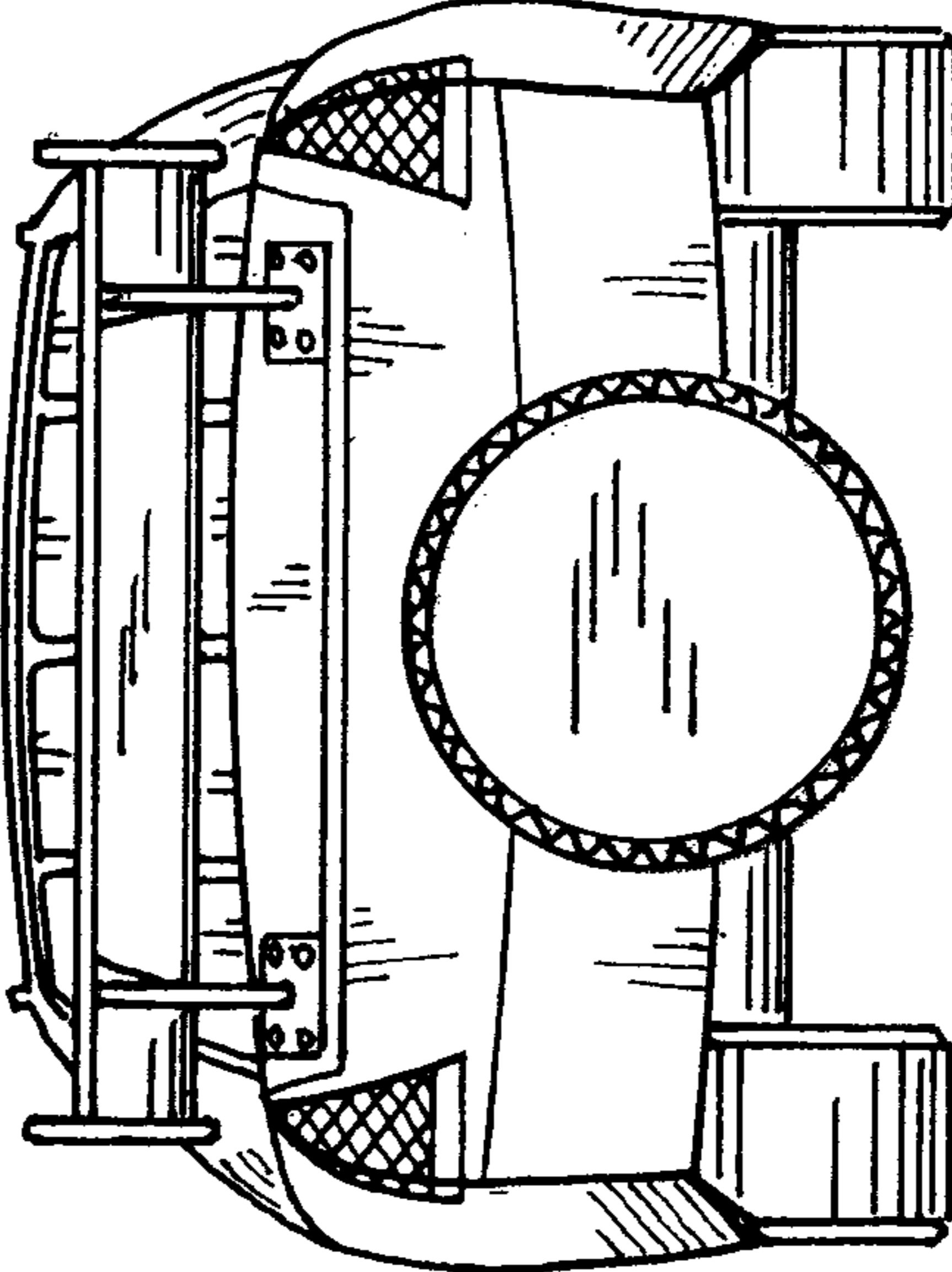


Fig. 7

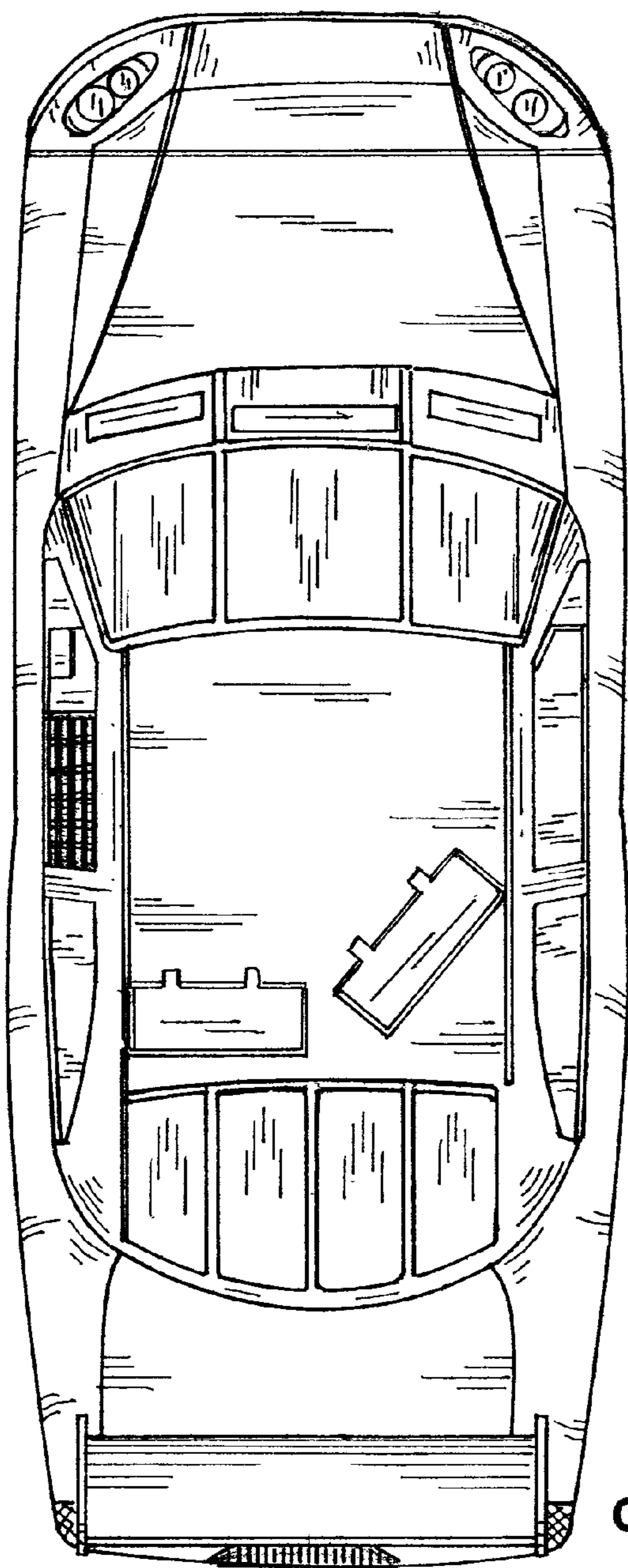


Fig. 8

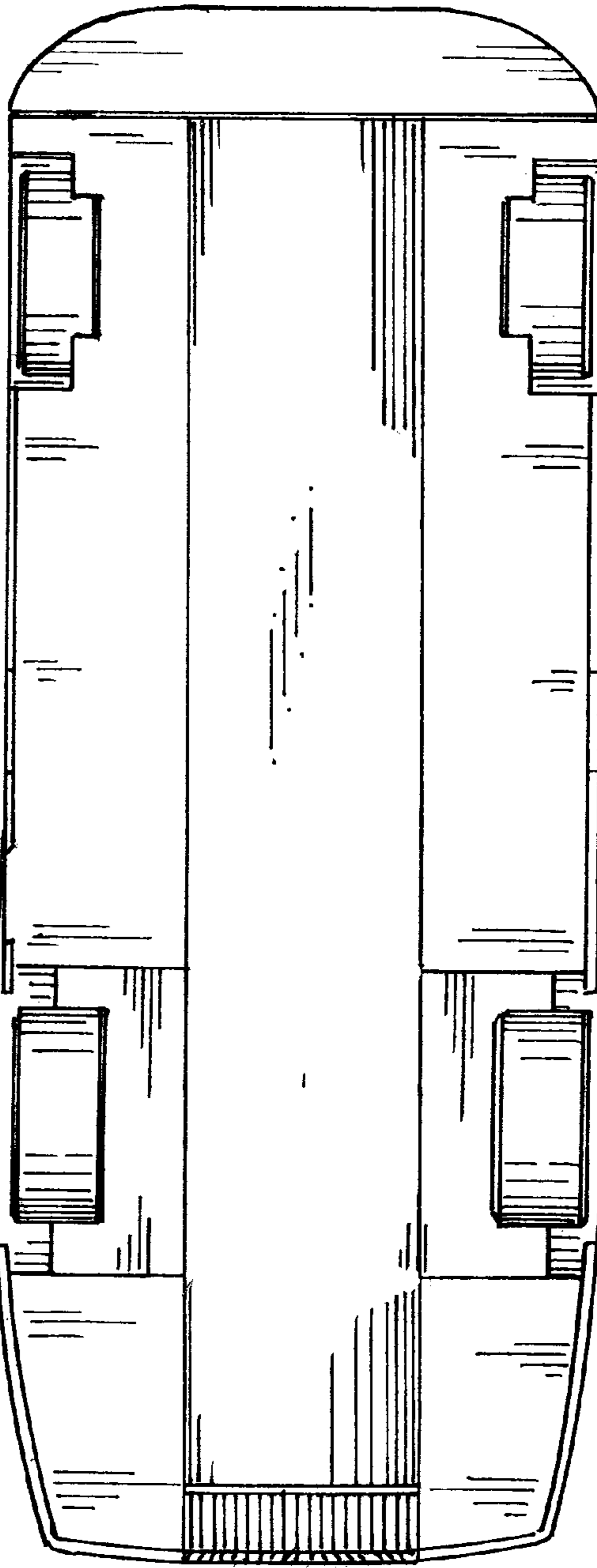


Fig. 9