



US00D591608S

(12) **United States Design Patent**  
**Marotti et al.**

(10) **Patent No.:** **US D591,608 S**

(45) **Date of Patent:** **\*\* May 5, 2009**

(54) **BOTTLE**

(75) Inventors: **Martin Jay Marotti**, Carmel, IN (US);  
**Philip Edwin Hague**, Chicago, IL (US);  
**Stacy Alycia Thomas**, Chicago, IL (US)

(73) Assignee: **The Procter & Gamble Company**,  
Cincinnati, OH (US)

(\*\*) Term: **14 Years**

(21) Appl. No.: **29/304,706**

(22) Filed: **Mar. 6, 2008**

(51) **LOC (9) Cl.** ..... **09-01**

(52) **U.S. Cl.** ..... **D9/571; D9/574**

(58) **Field of Classification Search** ..... **D9/516-575;**  
**215/379-385; 220/669-675**

See application file for complete search history.

(56) **References Cited**

**U.S. PATENT DOCUMENTS**

D176,225 S *	11/1955	Morris	.....	D9/529
D207,350 S *	4/1967	Koenigsberg	.....	D9/542
D211,005 S *	5/1968	Vanderhyde	.....	D9/542
D215,699 S *	10/1969	Horne et al.	.....	D9/542
D222,337 S *	10/1971	Weckman	.....	D9/574
D222,712 S	12/1971	Barker		
D236,800 S *	9/1975	Pardo	.....	D9/542
D236,801 S	9/1975	Waring		

(Continued)

**FOREIGN PATENT DOCUMENTS**

GB 2005599 \* 8/1990

**OTHER PUBLICATIONS**

U.S. Appl. No. 29/304,702, filed Mar. 6, 2008, Martin Jay Marotti et al.

*Primary Examiner*—Catherine Tuttle

(74) *Attorney, Agent, or Firm*—Emelyn L. Hiland

(57) **CLAIM**

The ornamental design for a bottle, as shown and described.

**DESCRIPTION**

FIG. 1 is a front perspective view showing our new design for a bottle, the oblique line shading being indicative of a transparent or translucent surface;

FIG. 2 is a front elevational view thereof;

FIG. 3 is a rear elevational view thereof;

FIGS. 4 and 5 are side elevational views thereof;

FIG. 6 is a top plan view thereof; and

FIG. 7 is a bottom view thereof;

FIG. 8 is a front perspective view showing a second embodiment of our new design for a bottle, the stippling being indicative of a colored surface;

FIG. 9 is a front elevational view thereof;

FIG. 10 is a rear elevational view thereof;

FIGS. 11 and 12 are side elevational views thereof;

FIG. 13 is a top plan view thereof; and

FIG. 14 is a bottom view thereof;

FIG. 15 is a front perspective view showing a third embodiment of our new design for a bottle, wherein the surface is white and opaque;

FIG. 16 is a front elevational view thereof;

FIG. 17 is a rear elevational view thereof;

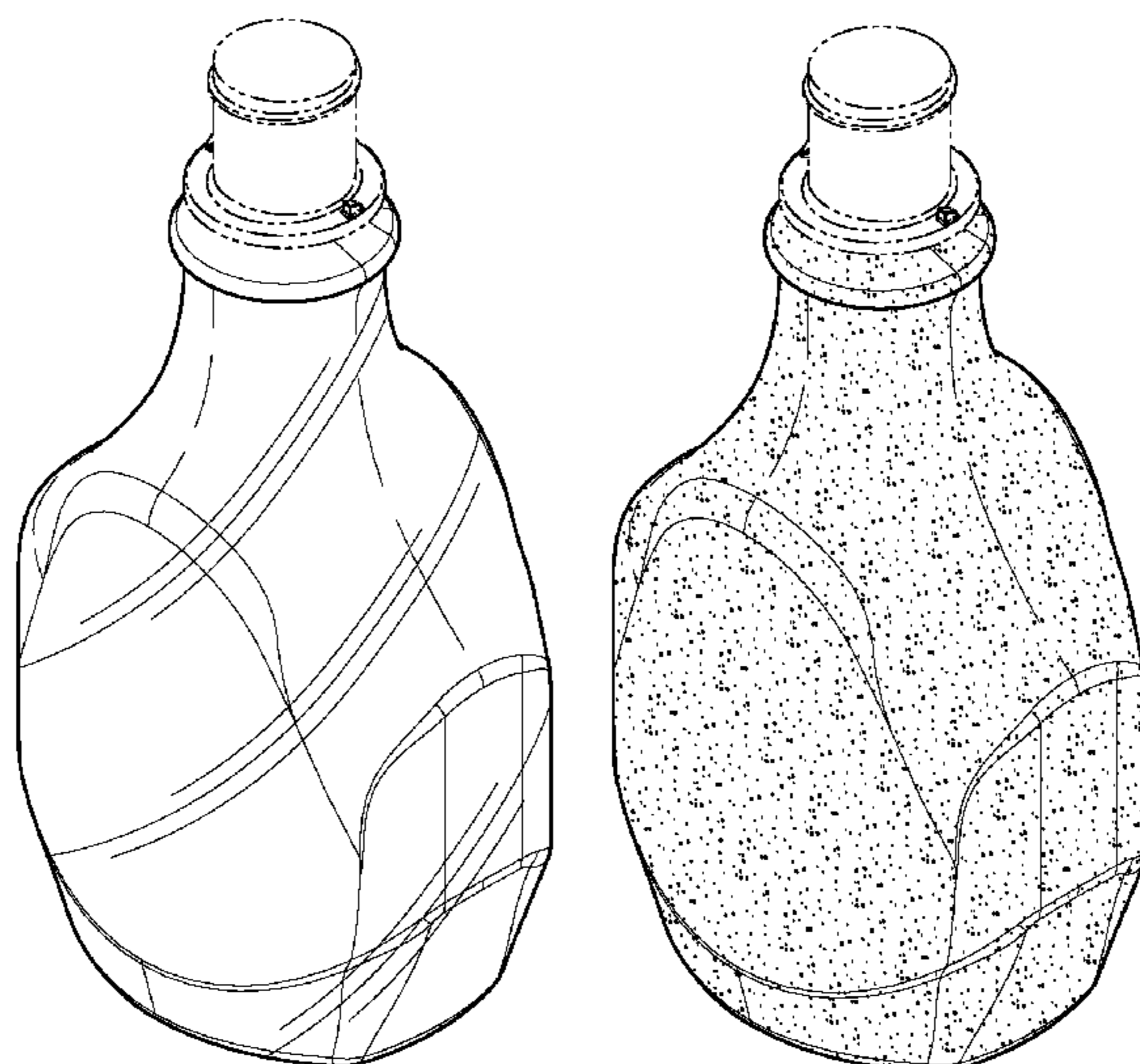
FIGS. 18 and 19 are side elevational views thereof;

FIG. 20 is a top plan view thereof; and,

The broken lines are included for the purpose of illustrating the upper end and bottom surface portions of the bottle that form no part of the claimed design.

FIG. 21 is a bottom view thereof.

**1 Claim, 6 Drawing Sheets**



# US D591,608 S

Page 2

---

## U.S. PATENT DOCUMENTS

D237,461 S	11/1975	Kretz		
D241,318 S	9/1976	Lewman		
D252,672 S	8/1979	Aldrich, III		
D278,124 S *	3/1985	Coussie .....	D9/574	
D296,669 S	7/1988	Neu		
D369,979 S	5/1996	Krampe et al.		
D414,703 S	10/1999	Nosella		
D427,914 S	7/2000	Croft et al.		
D472,472 S *	4/2003	Meeker .....	D9/563	
D530,620 S *	10/2006	Owens et al. ....	D9/566	
D531,044 S *	10/2006	Owens et al. ....	D9/566	
D531,045 S *	10/2006	Owens et al. ....	D9/566	
D531,515 S *	11/2006	Owens et al. ....	D9/566	
D533,072 S *	12/2006	Kelly .....	D9/566	

\* cited by examiner

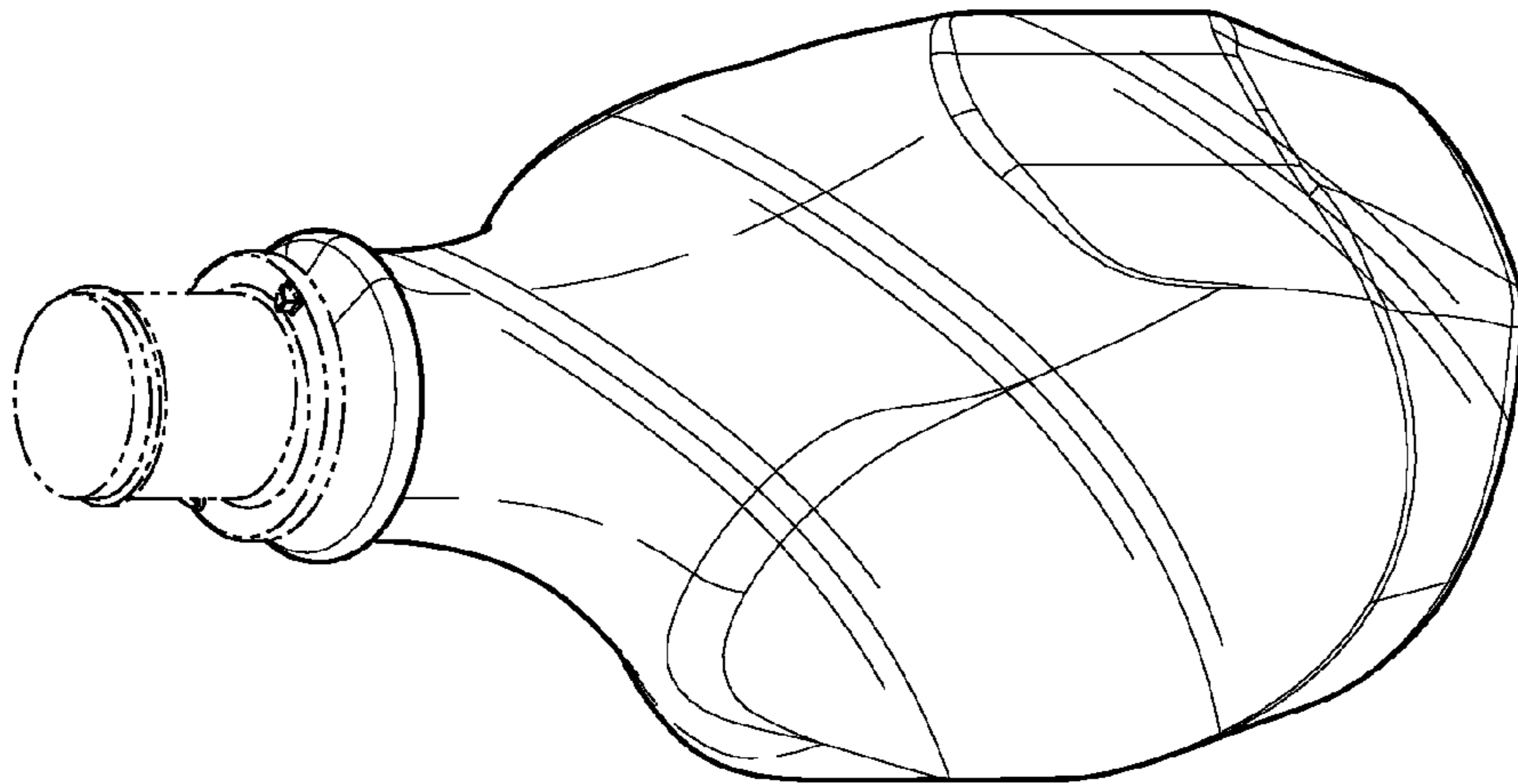


Fig. 1

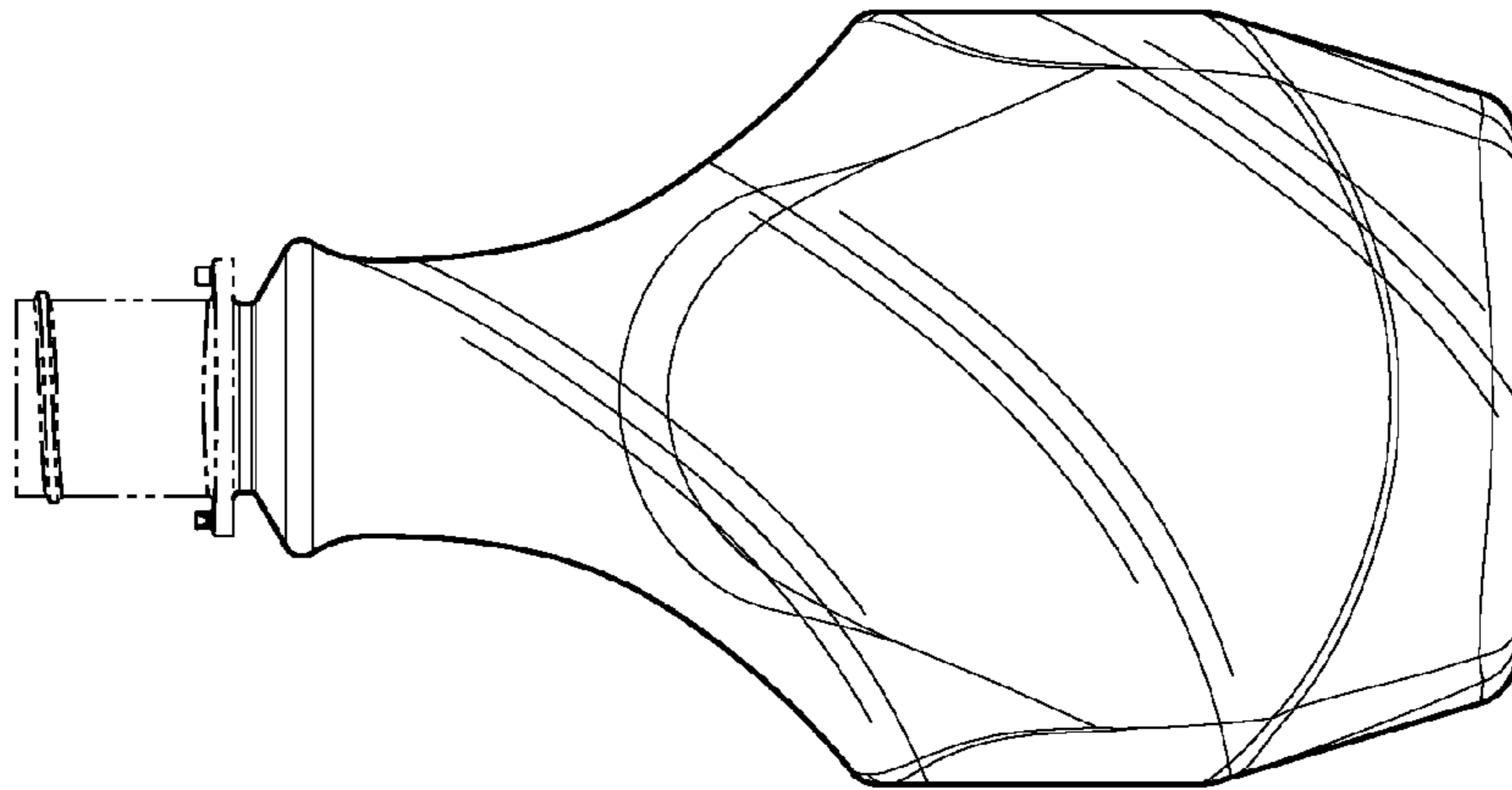


Fig. 2

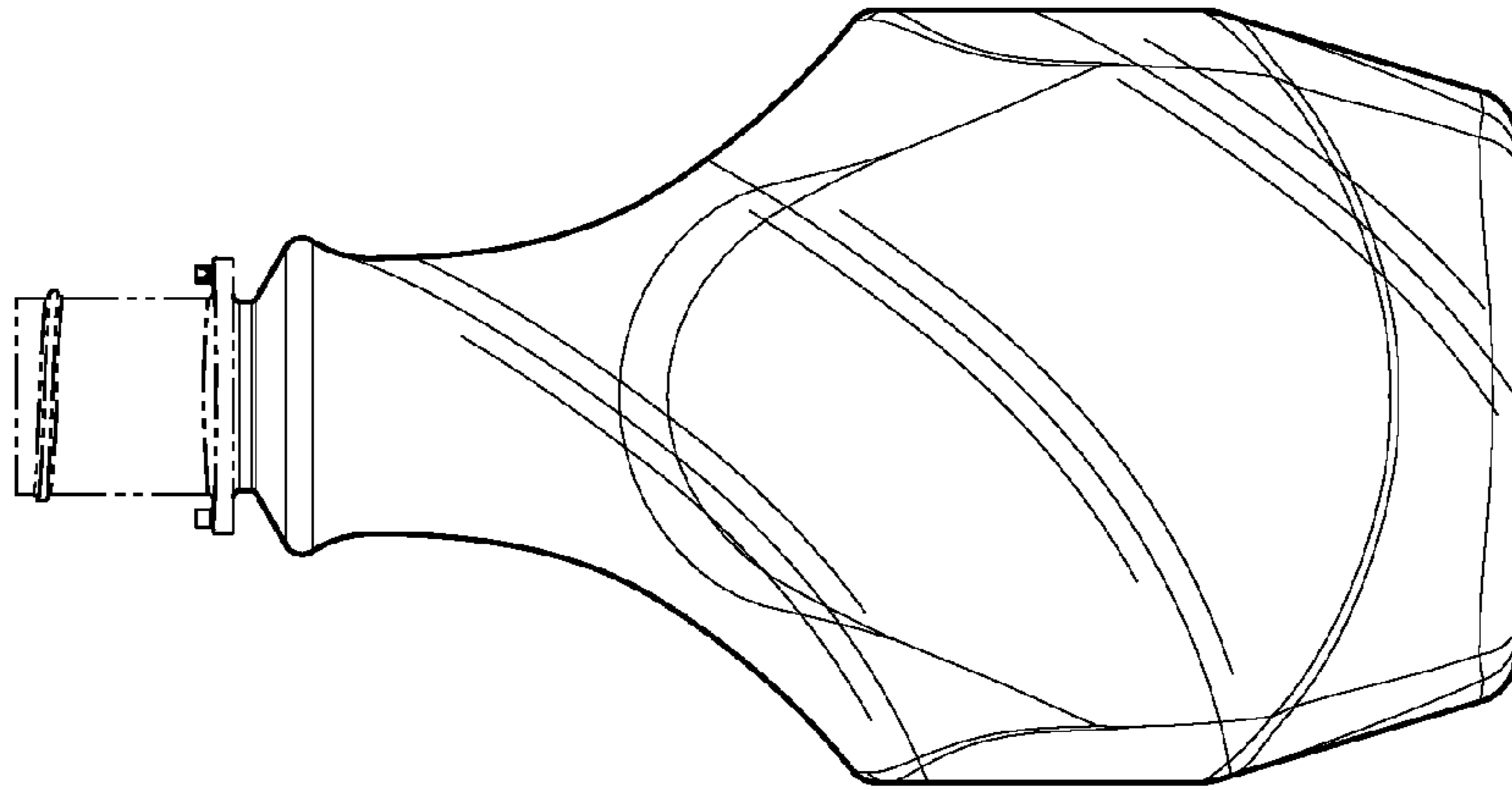


Fig. 3

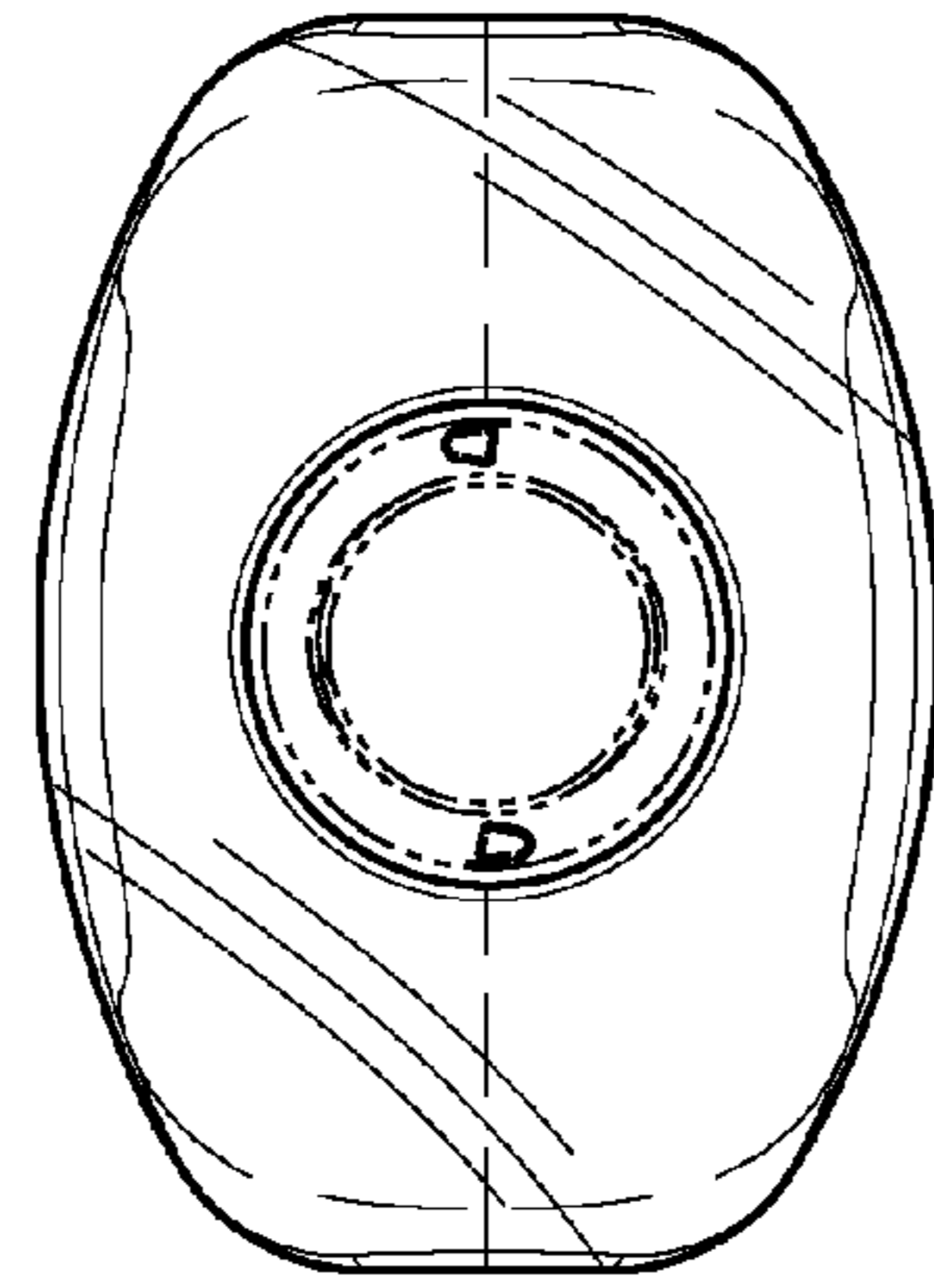


Fig. 6

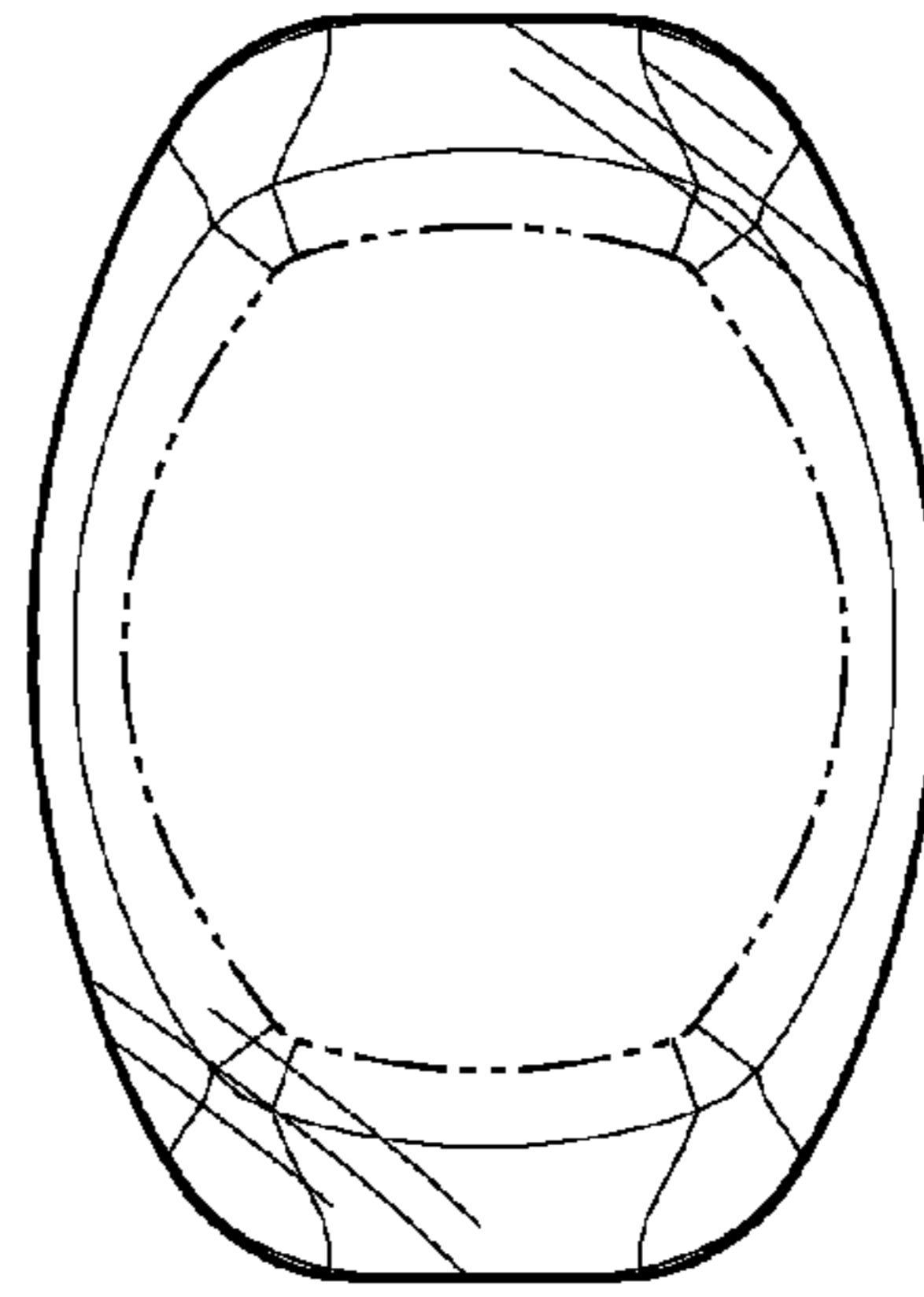


Fig. 7

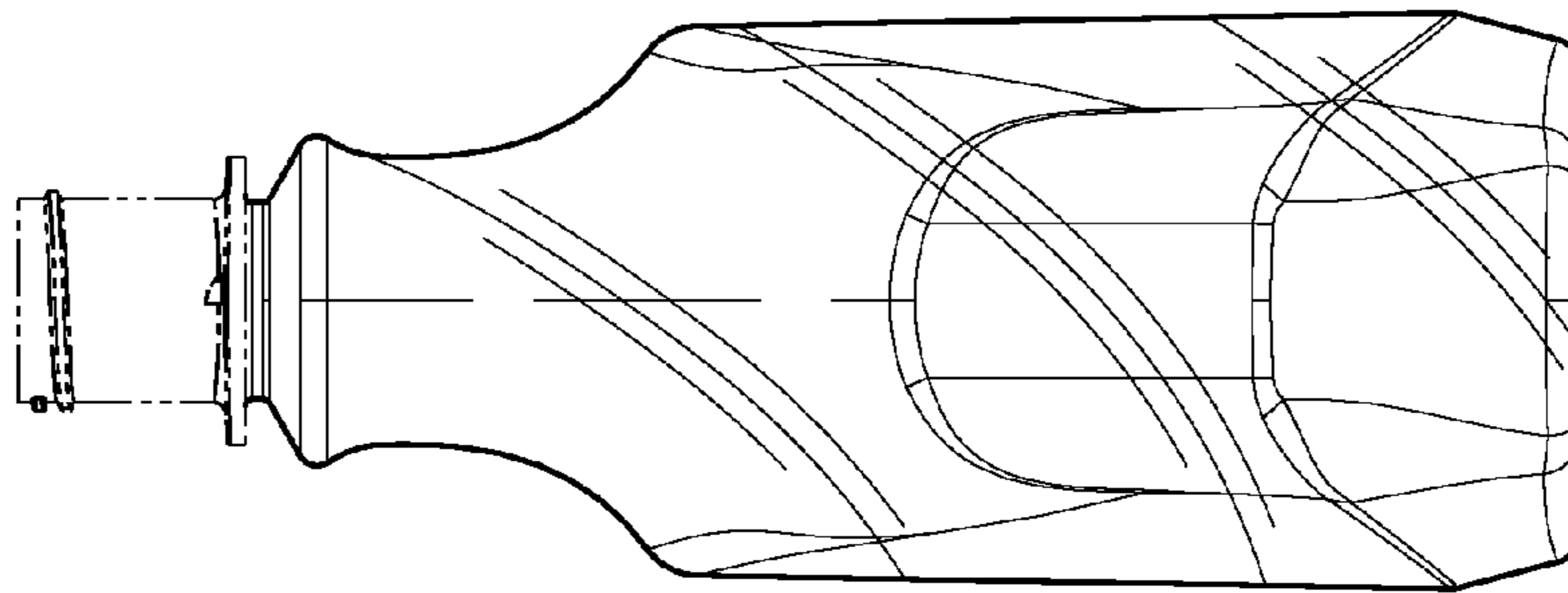


Fig. 5

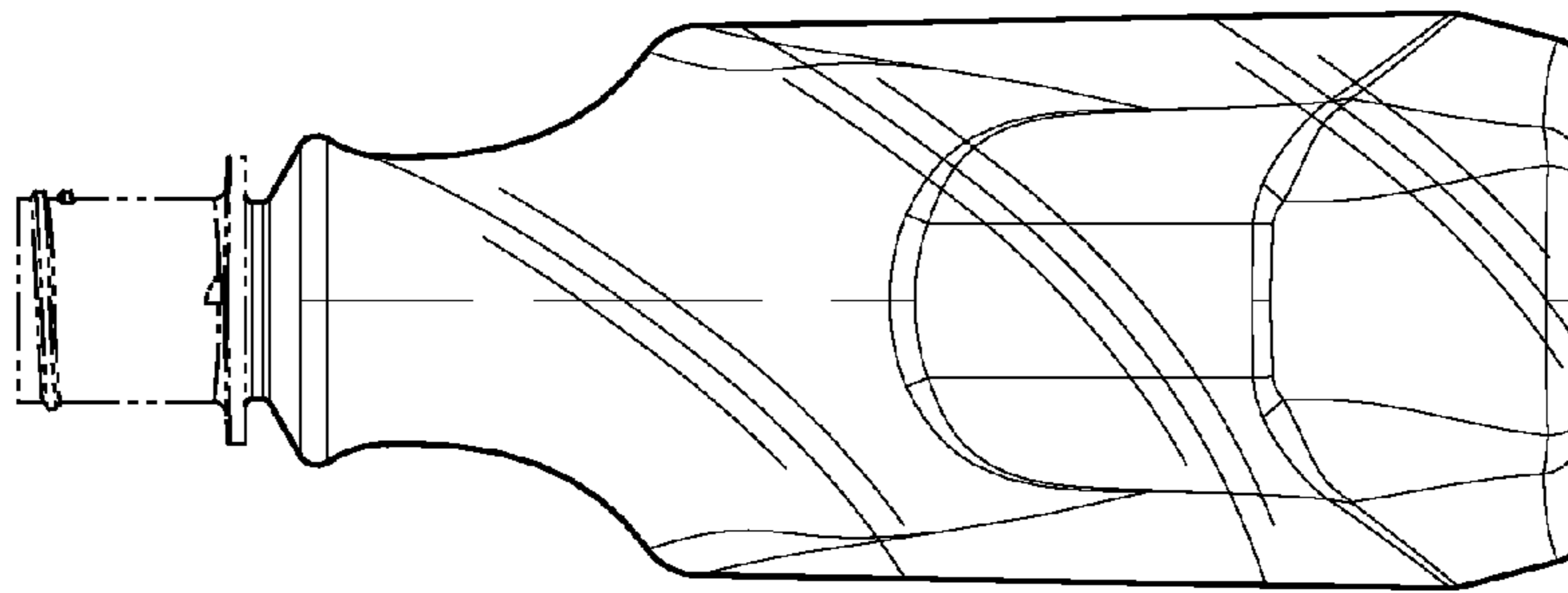


Fig. 4

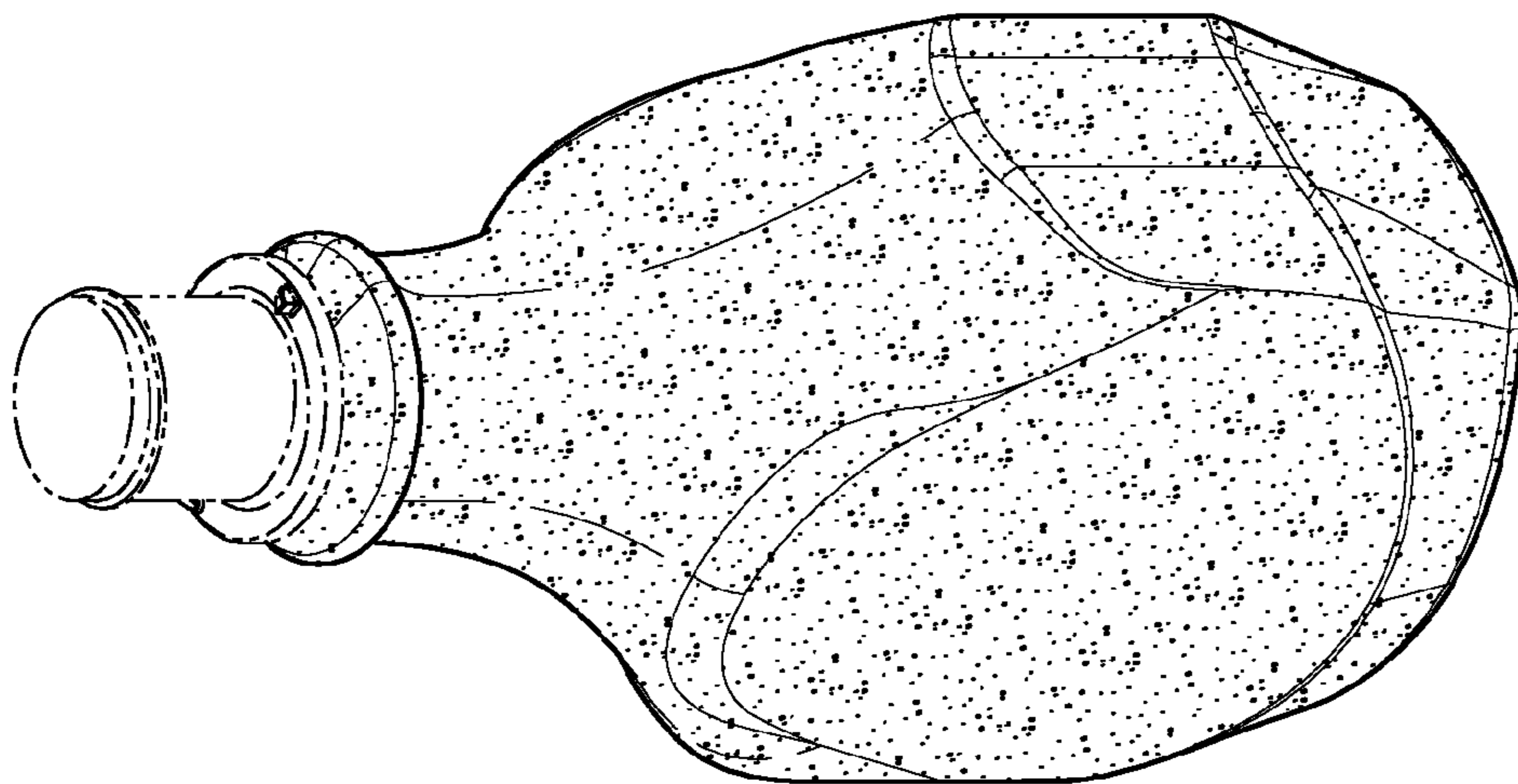


Fig. 8

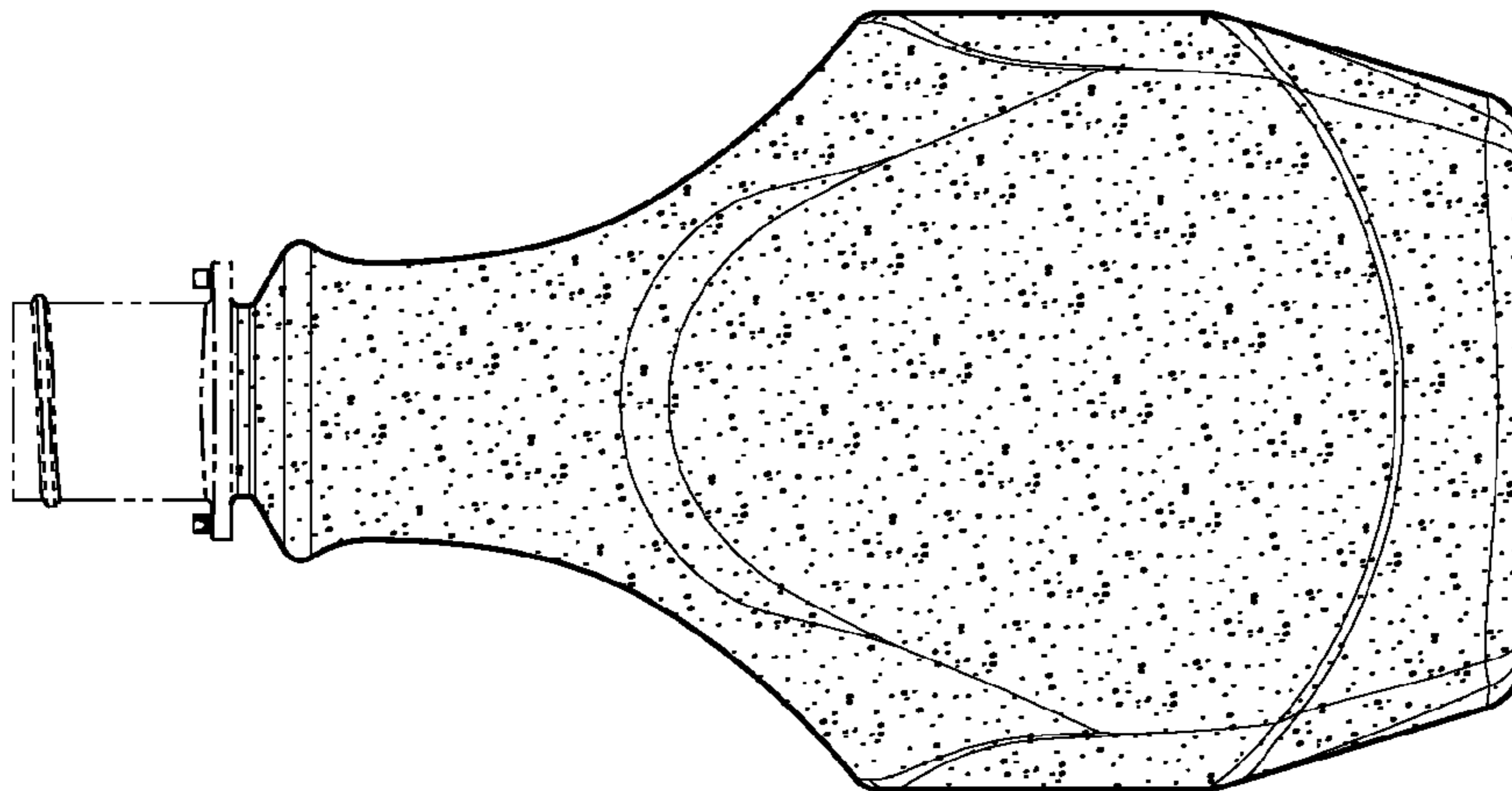


Fig. 9

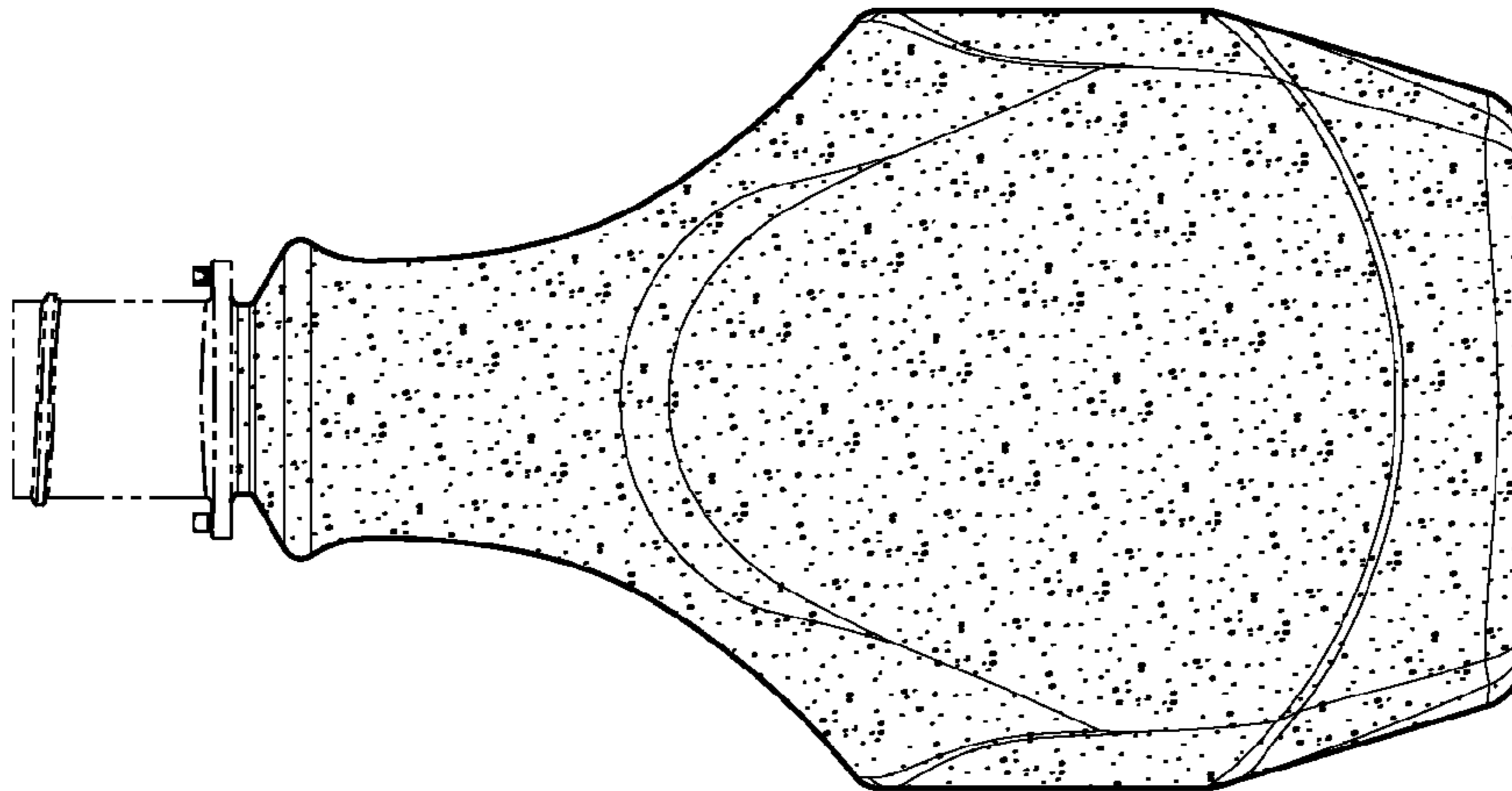


Fig. 10

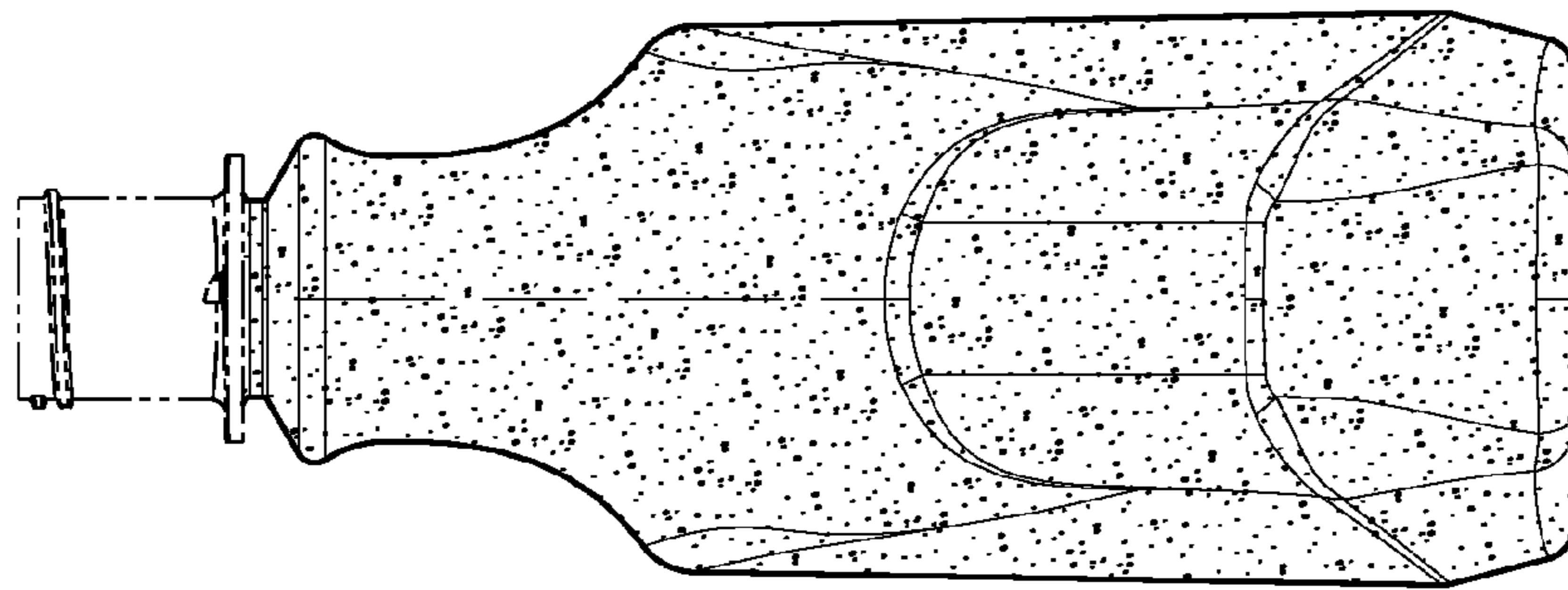


Fig. 11

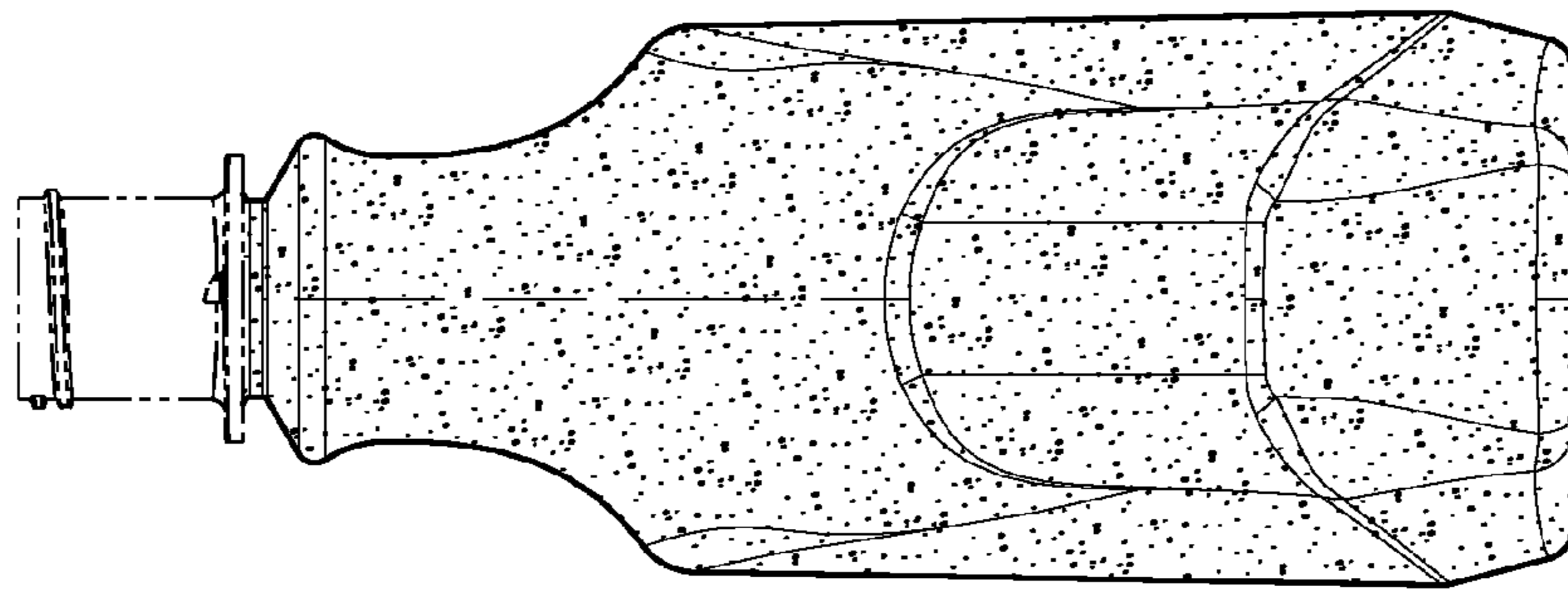


Fig. 12

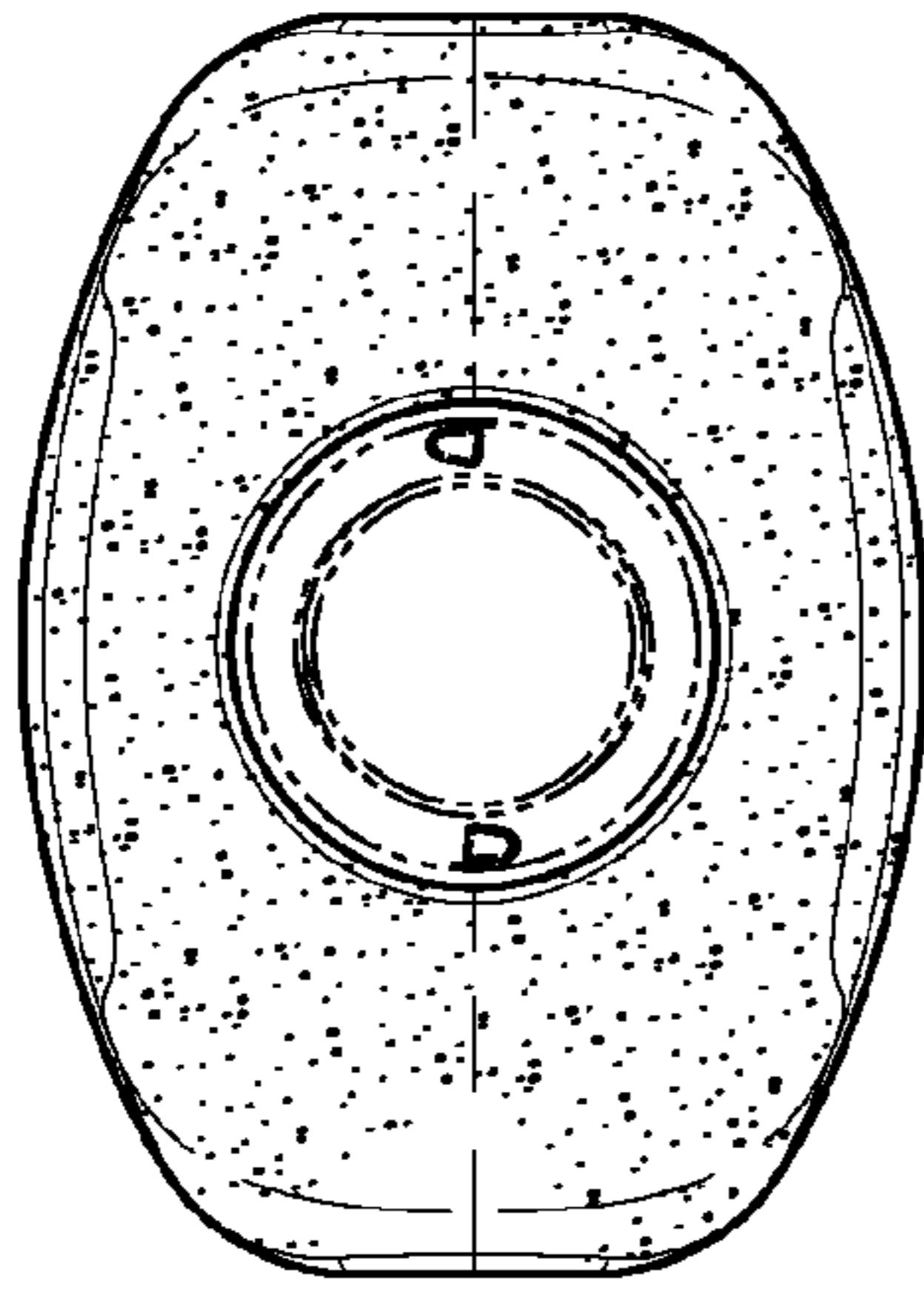


Fig. 13

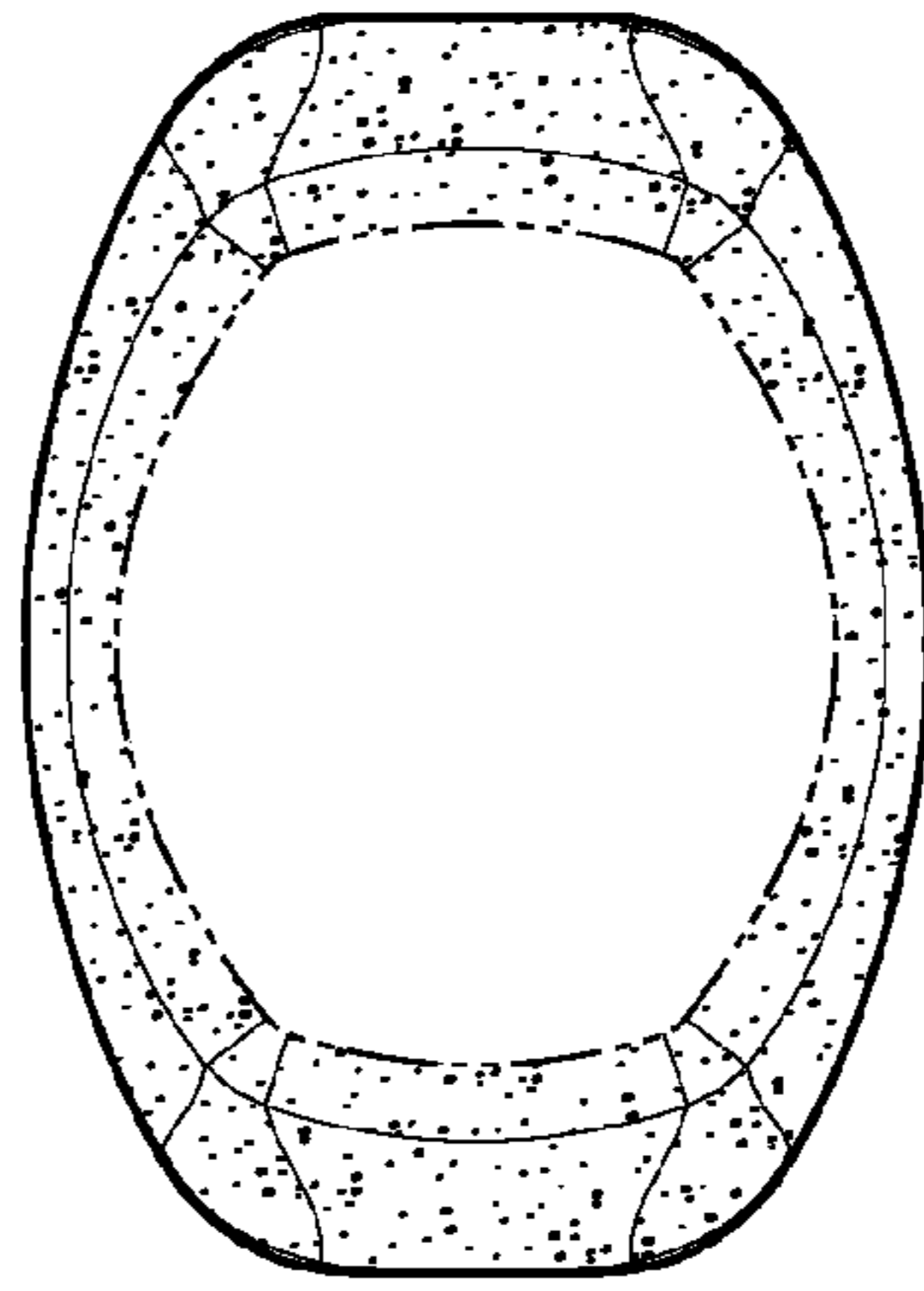


Fig. 14

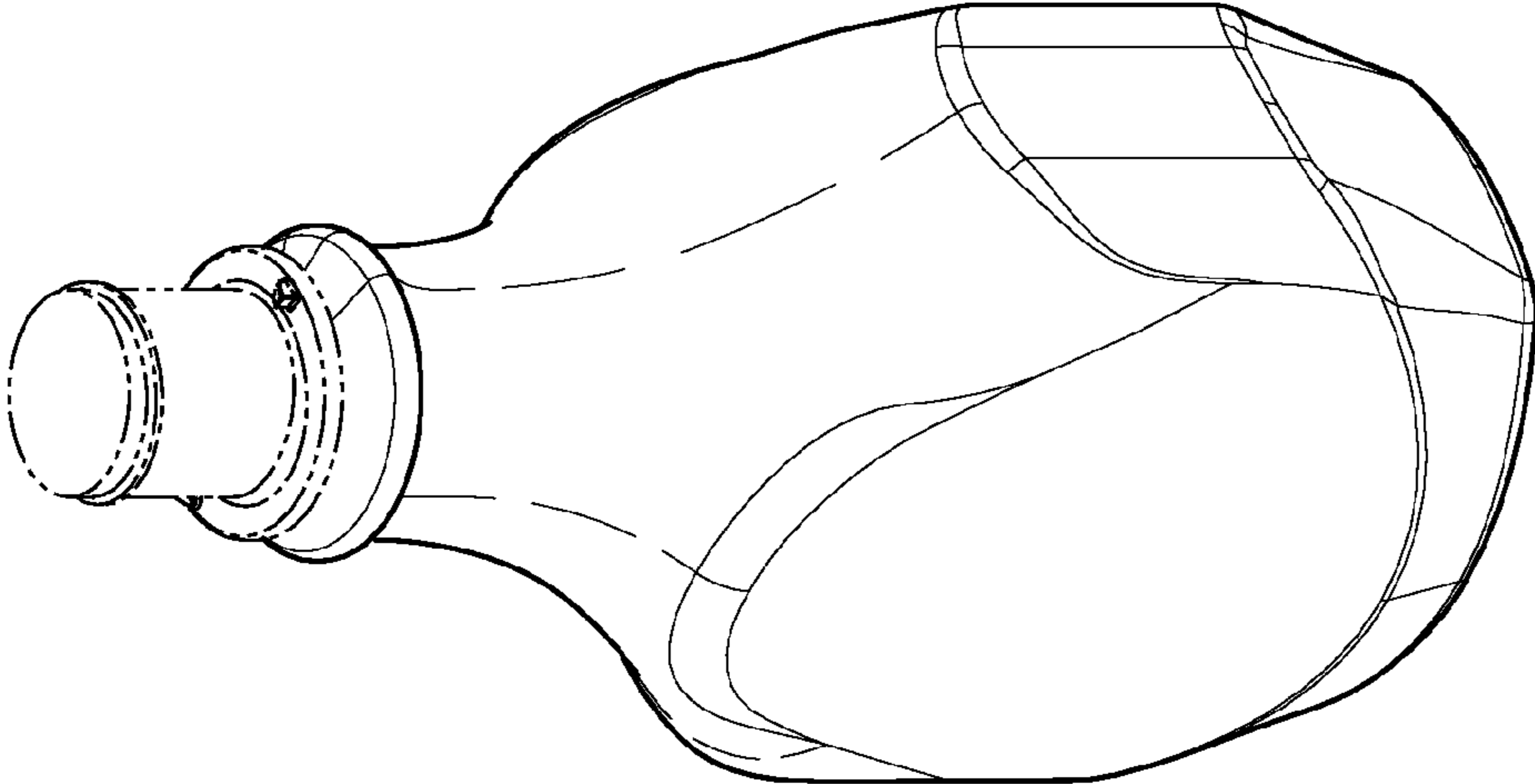


Fig. 15

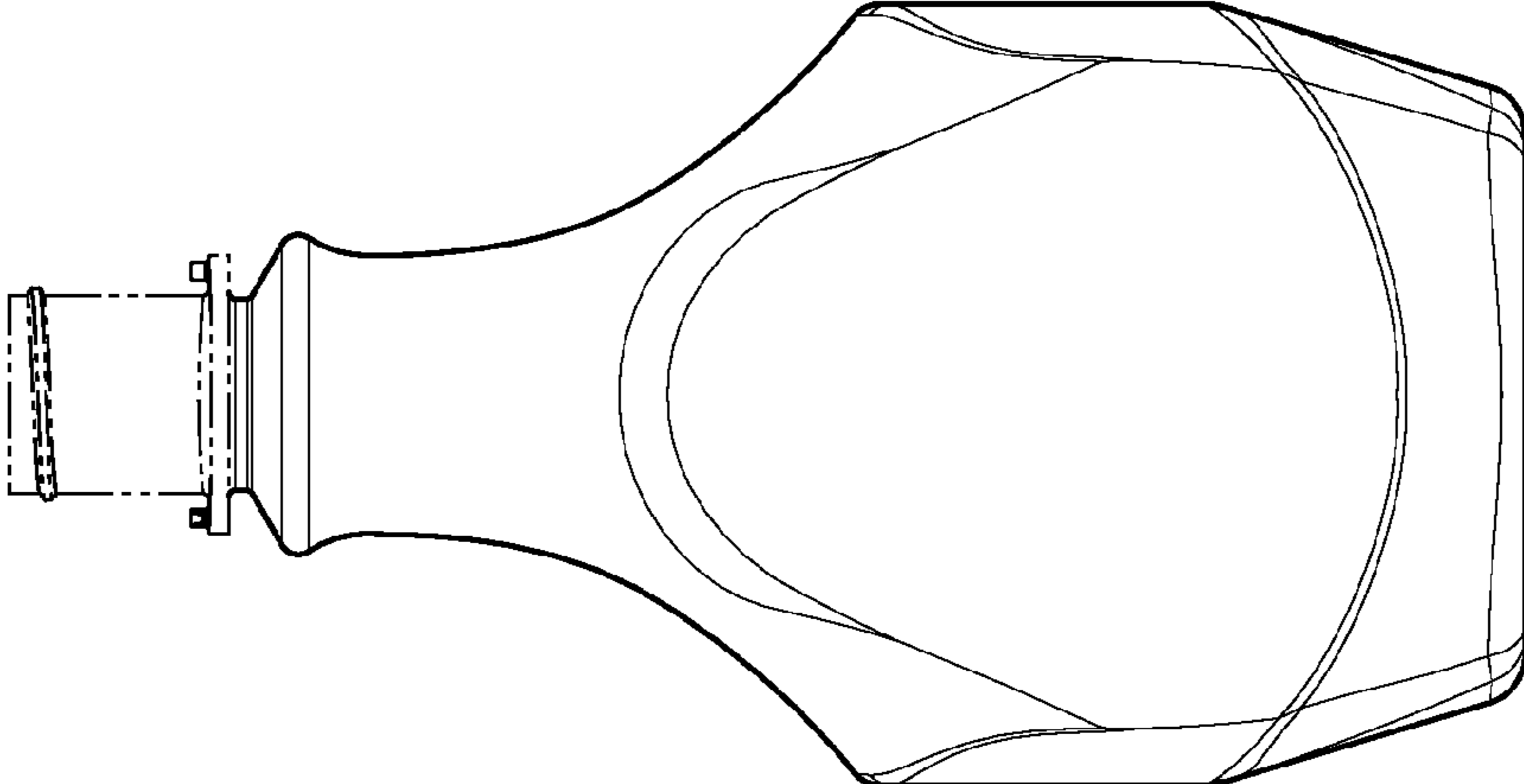


Fig. 16

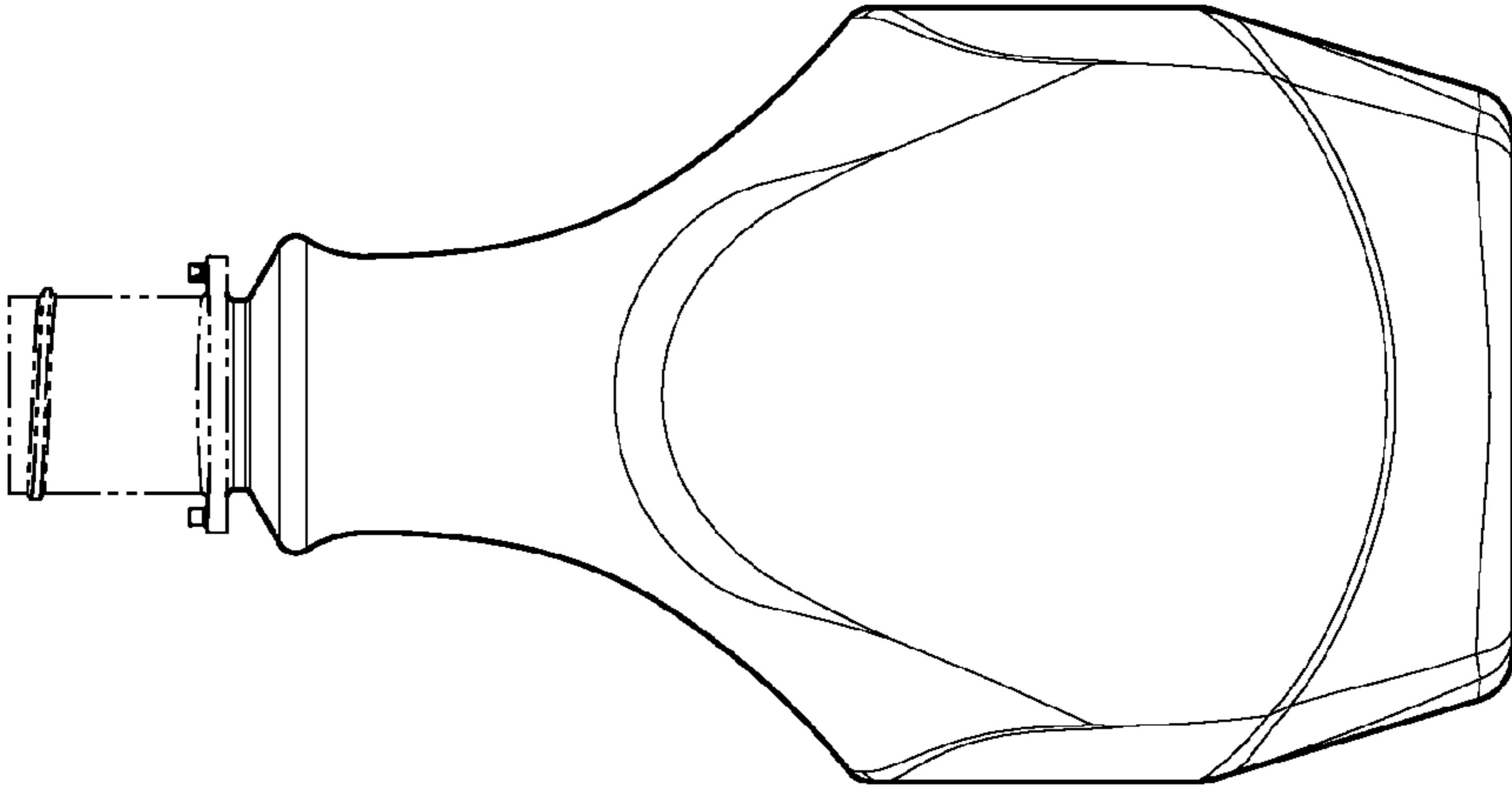


Fig. 17

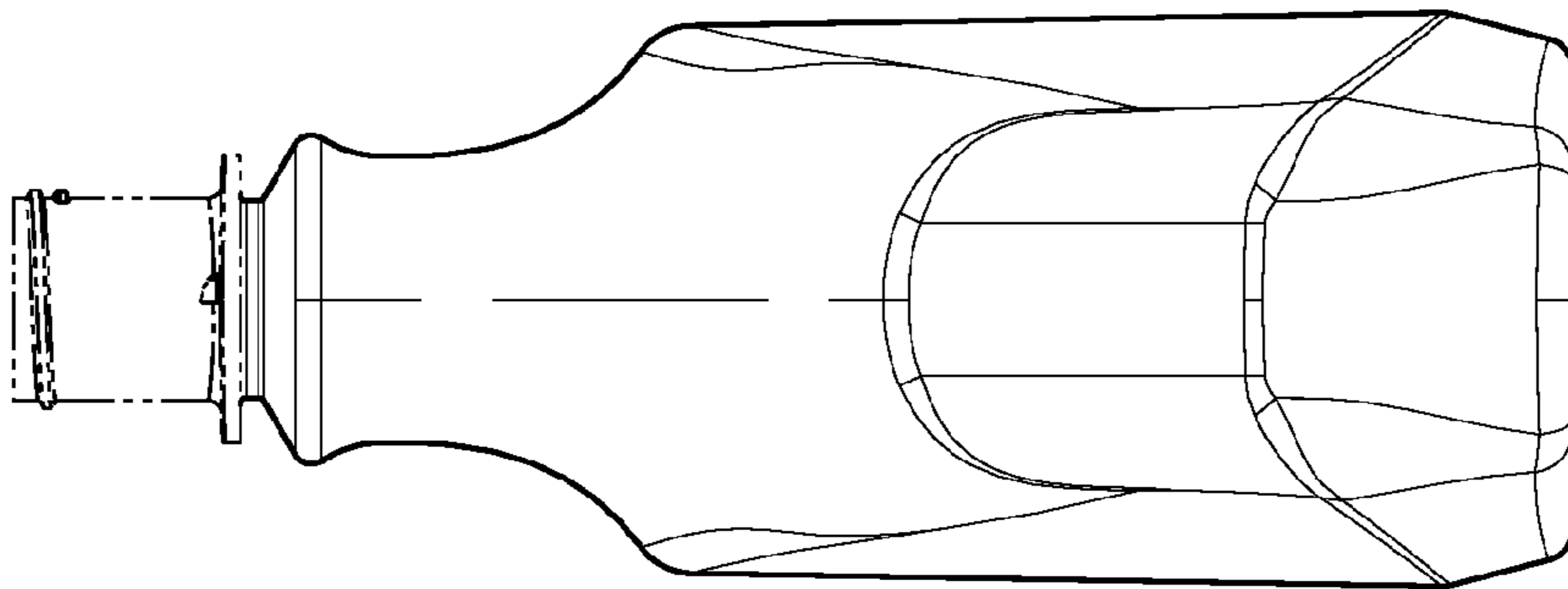


Fig. 18

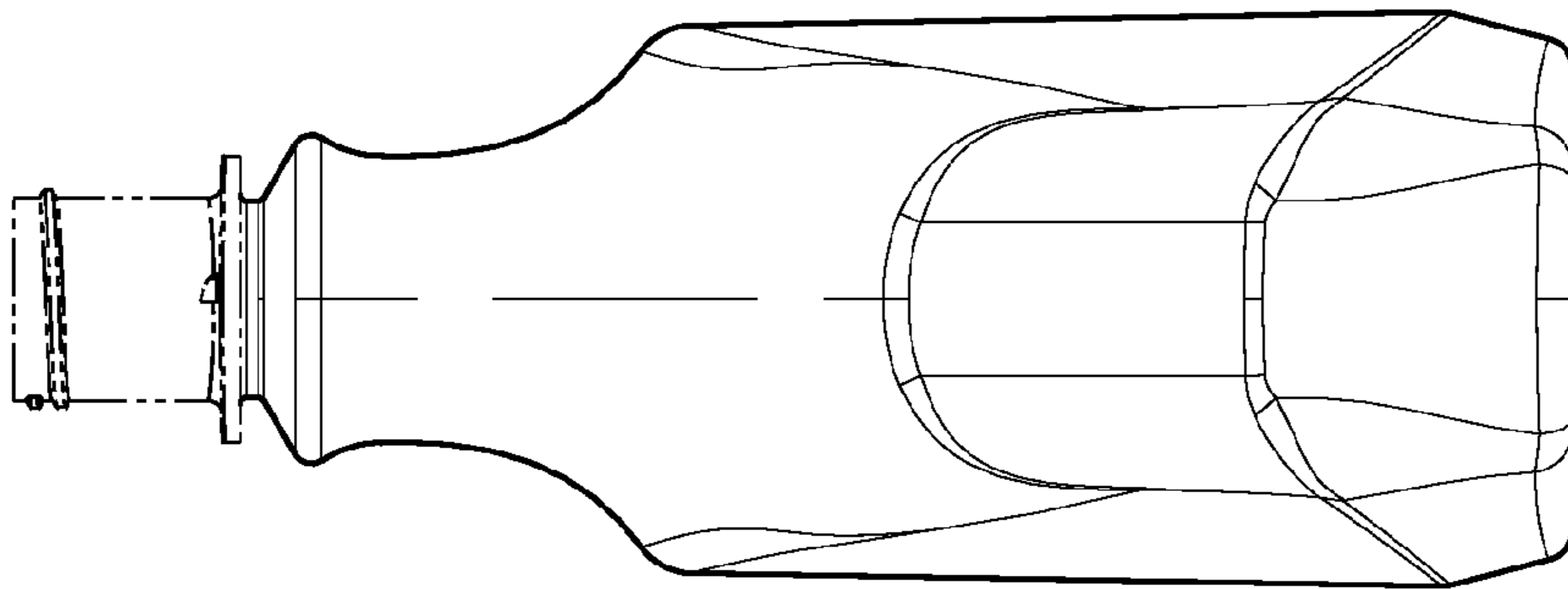


Fig. 19

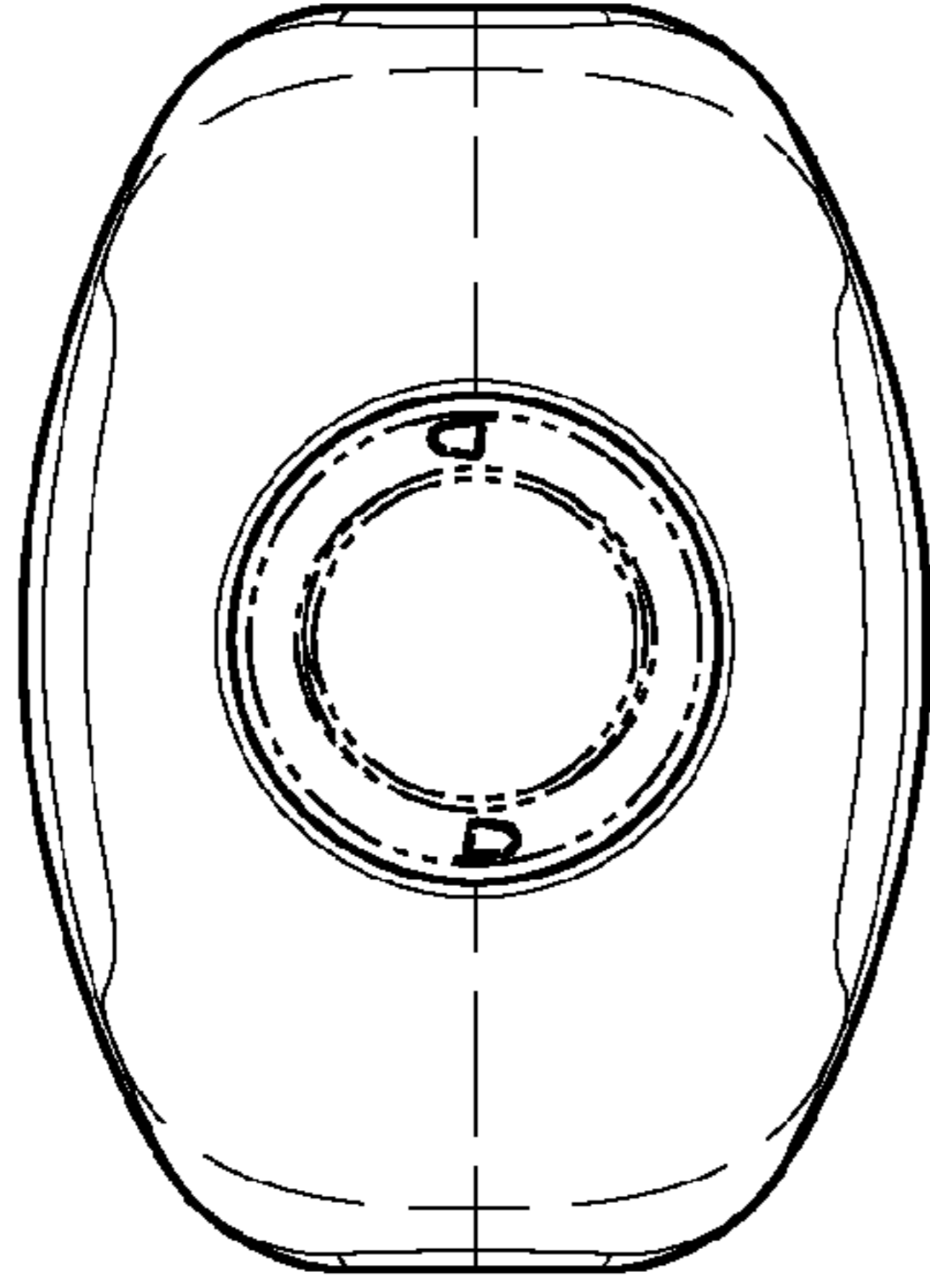


Fig. 20

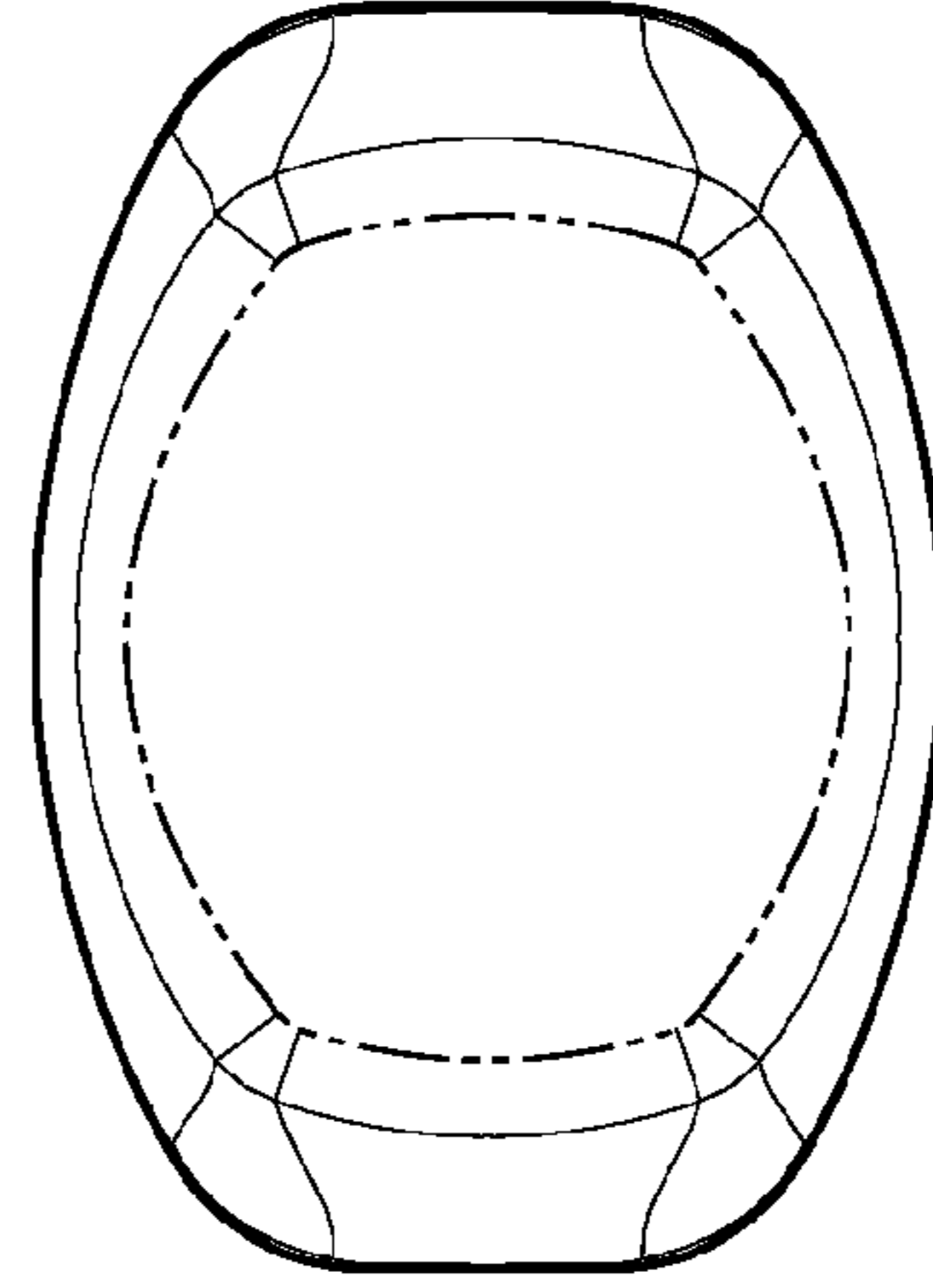


Fig. 21