



US00D591607S

(12) **United States Design Patent**
Marotti et al.

(10) **Patent No.:** **US D591,607 S**

(45) **Date of Patent:** **** May 5, 2009**

(54) **BOTTLE**

(75) Inventors: **Martin Jay Marotti**, Carmel, IN (US);
Philip Edwin Hague, Chicago, IL (US);
Stacy Alycia Thomas, Chicago, IL (US)

(73) Assignee: **The Procter & Gamble Company**,
Cincinnati, OH (US)

(**) Term: **14 Years**

(21) Appl. No.: **29/304,702**

(22) Filed: **Mar. 6, 2008**

(51) **LOC (9) Cl.** **09-01**

(52) **U.S. Cl.** **D9/571; D9/574**

(58) **Field of Classification Search** D9/516-575;
215/379-385; 220/669-675

See application file for complete search history.

(56) **References Cited**

U.S. PATENT DOCUMENTS

D47,434 S	6/1915	Orem	
D49,406 S *	7/1916	Vivaudou	D9/542
D117,266 S	6/1939	Gerhart	
D175,447 S *	8/1955	Tucker	D7/300
D176,225 S *	11/1955	Morris	D9/529
D187,820 S	5/1960	Vuillemenot	
D207,350 S *	4/1967	Koenigsberg	D9/542
D211,005 S *	5/1968	Vanderhyde	D9/542
D211,319 S	6/1968	Jeronimus	
D215,699 S *	10/1969	Horne et al.	D9/542

(Continued)

FOREIGN PATENT DOCUMENTS

GB DES. 2005599 * 8/1990

OTHER PUBLICATIONS

U.S. Appl. No. 29/304,706, filed Mar. 6, 2008, Martin Jay Marotti, et al.

Primary Examiner—Catherine Tuttle

(74) *Attorney, Agent, or Firm*—Emelyn L. Hiland

(57) **CLAIM**

The ornamental design for a bottle, as shown and described.

DESCRIPTION

FIG. 1 is a front perspective view showing our new design for a bottle, the oblique line shading being indicative of a transparent or translucent surface;

FIG. 2 is a front elevational view thereof;

FIG. 3 is a rear elevational view thereof;

FIGS. 4 and 5 are side elevational views thereof;

FIG. 6 is a top plan view thereof; and

FIG. 7 is a bottom view thereof;

FIG. 8 is a front perspective view showing a second embodiment of our new design for a bottle, the stippling being indicative of a colored surface;

FIG. 9 is a front elevational view thereof;

FIG. 10 is a rear elevational view thereof;

FIGS. 11 and 12 are side elevational views thereof;

FIG. 13 is a top plan view thereof; and

FIG. 14 is a bottom view thereof;

FIG. 15 is a front perspective view showing a third embodiment of our new design for a bottle, wherein the surface is white and opaque;

FIG. 16 is a front elevational view thereof;

FIG. 17 is a rear elevational view thereof;

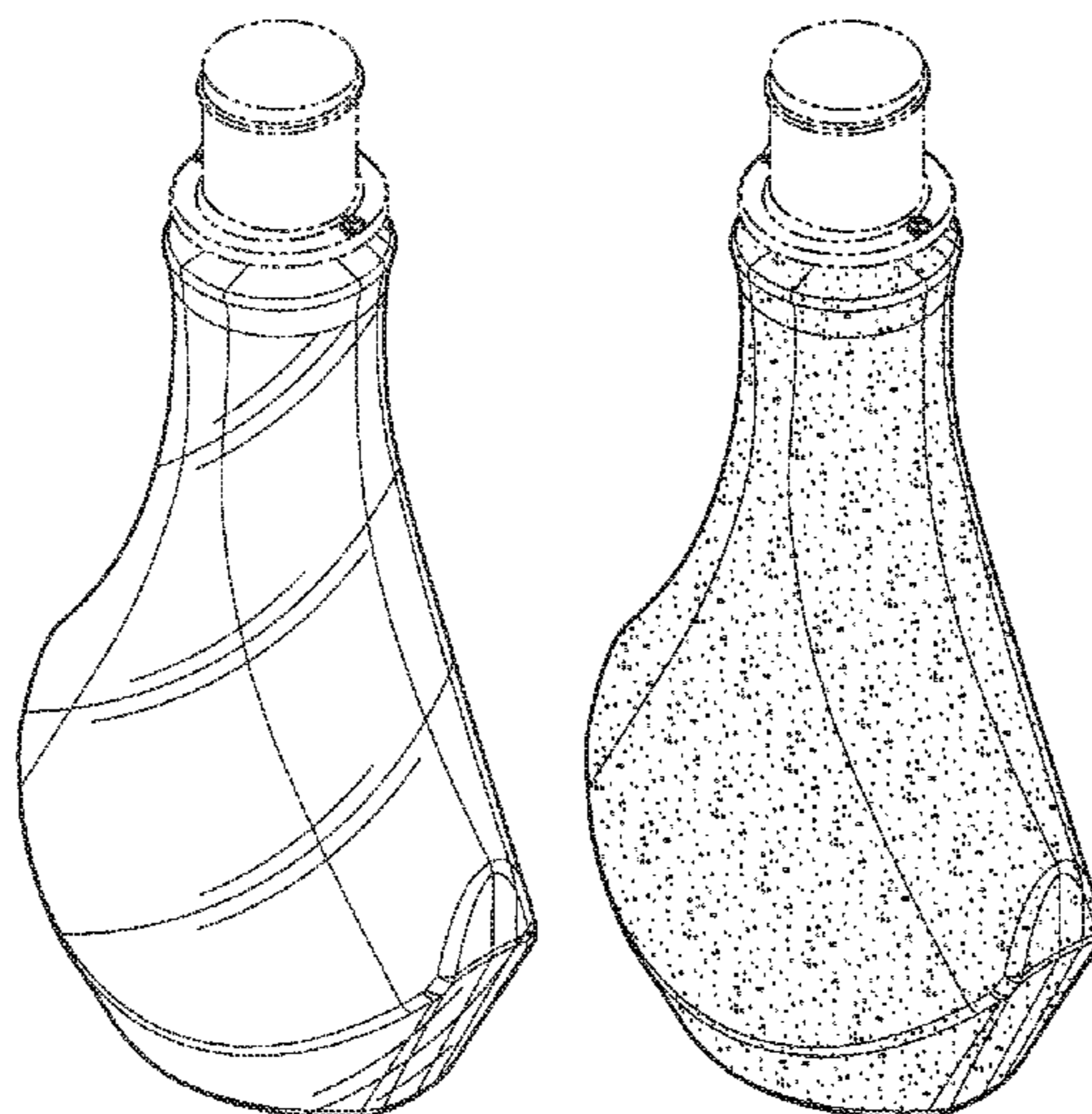
FIGS. 18 and 19 are side elevational views thereof;

FIG. 20 is a top plan view thereof; and

FIG. 21 is a bottom view thereof.

The broken lines are included for the purpose of illustrating the upper end and bottom surface portions of the bottle that form no part of the claimed design.

1 Claim, 12 Drawing Sheets



US D591,607 S

Page 2

U.S. PATENT DOCUMENTS

D222,610 S	11/1971	Plummer	D278,124 S *	3/1985	Coussie	D9/574
D228,343 S	9/1973	Kretz	D282,529 S	2/1986	Pereira et al.	
D237,946 S	12/1975	Pardo	D399,752 S	10/1998	Farmer et al.	
D243,442 S	2/1977	Montgomery	D530,620 S *	10/2006	Owens et al.	D9/566
D252,444 S	7/1979	Torongo, Jr.	D531,044 S *	10/2006	Owens et al.	D9/566
D253,166 S	10/1979	Pardo	D531,045 S *	10/2006	Owens et al.	D9/566
D264,305 S	5/1982	Pardo	D531,515 S *	11/2006	Owens et al.	D9/566
			D533,072 S *	12/2006	Kelly	D9/566

* cited by examiner

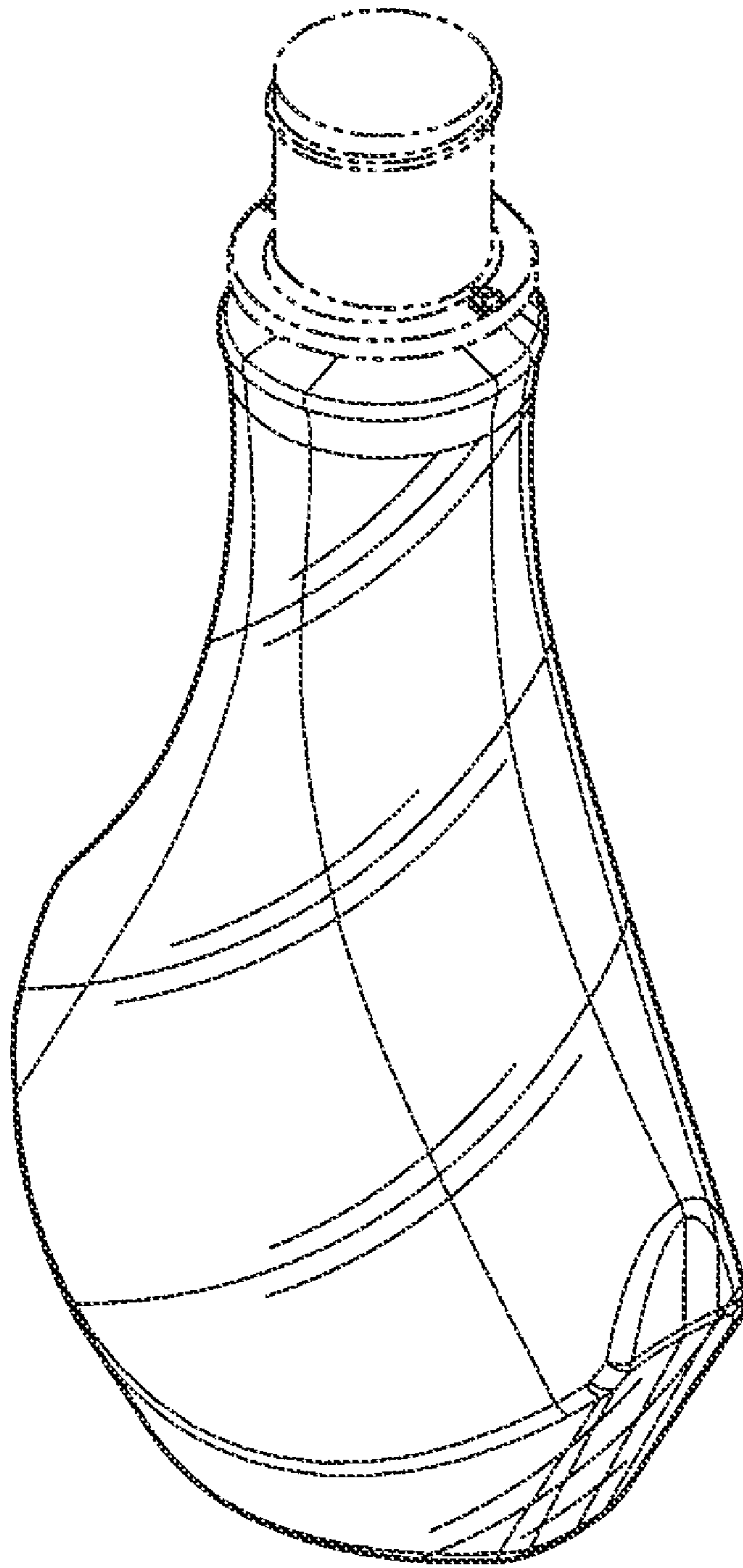


Fig. 1

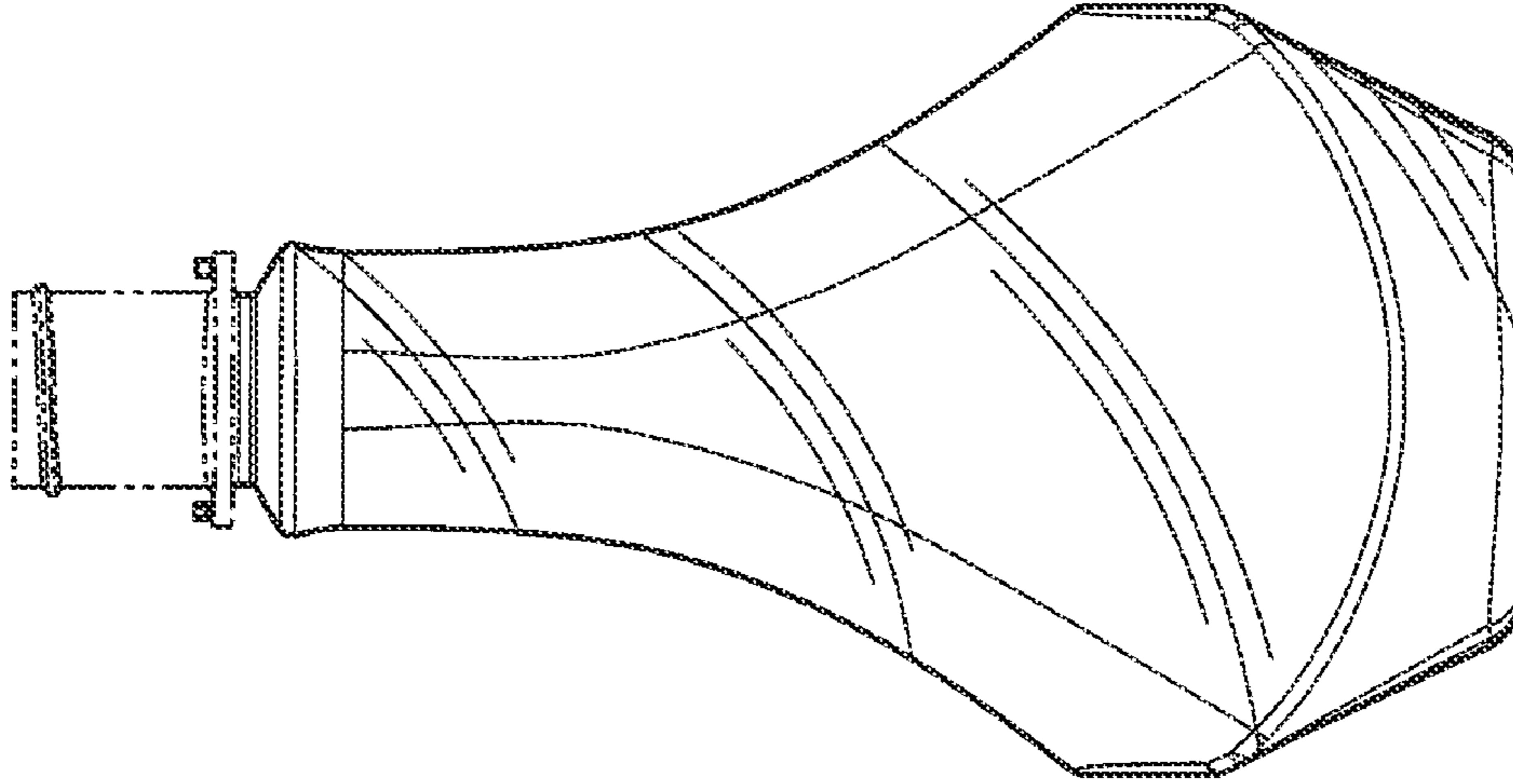


Fig. 2

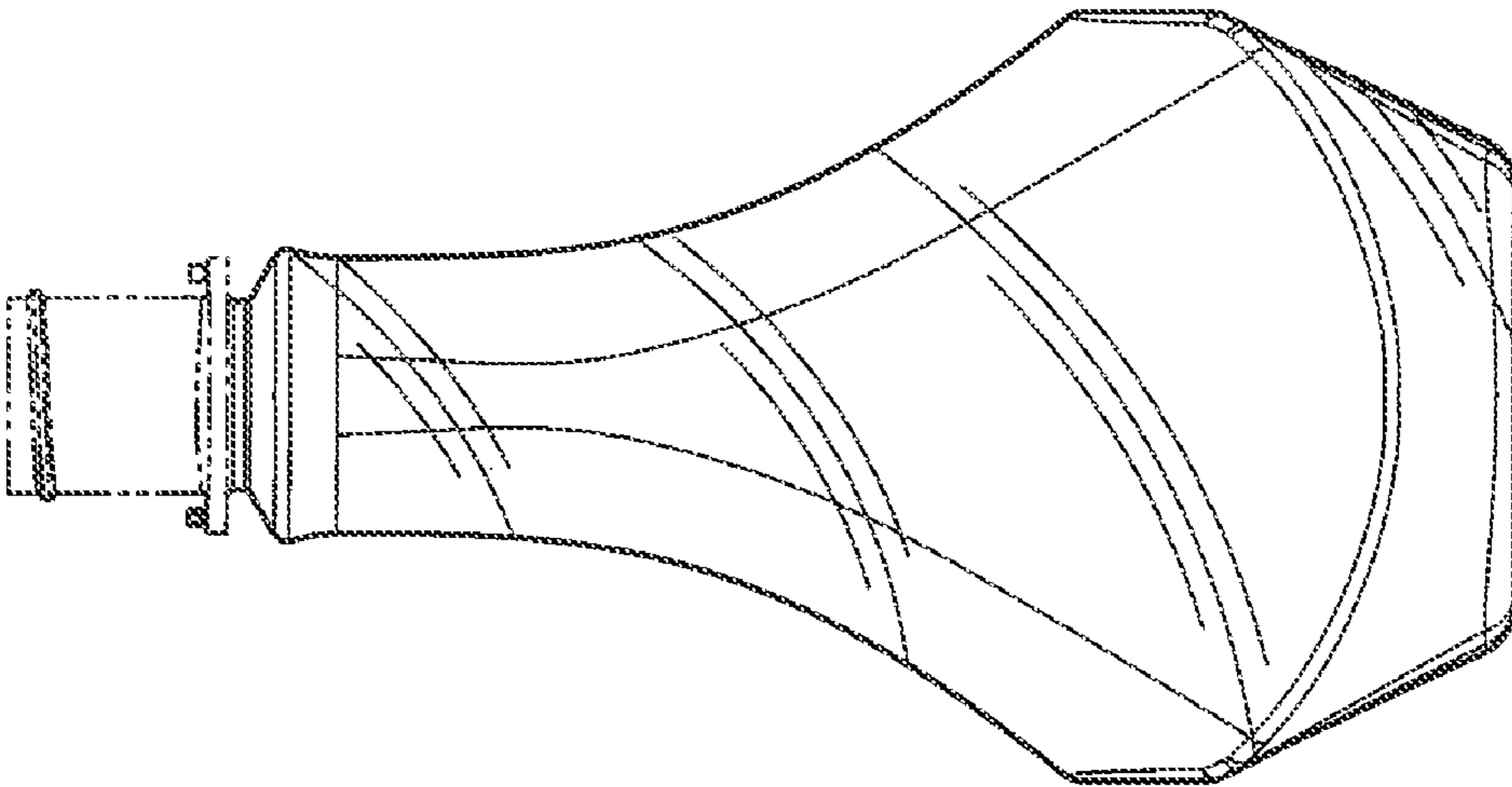


Fig. 3

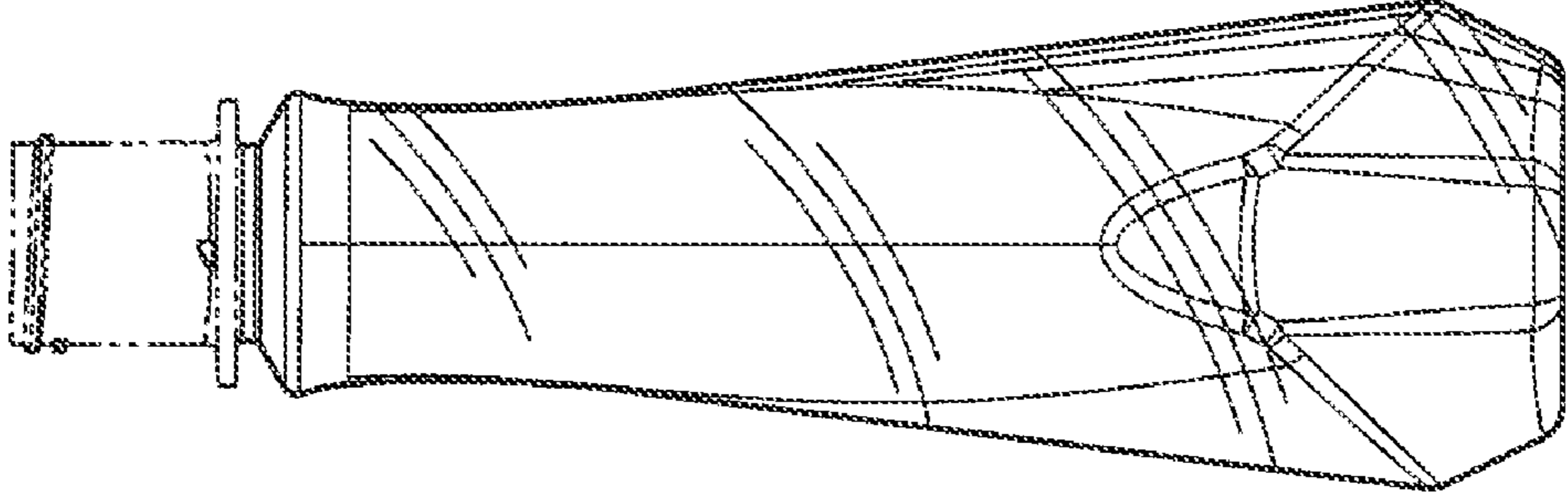


Fig. 4

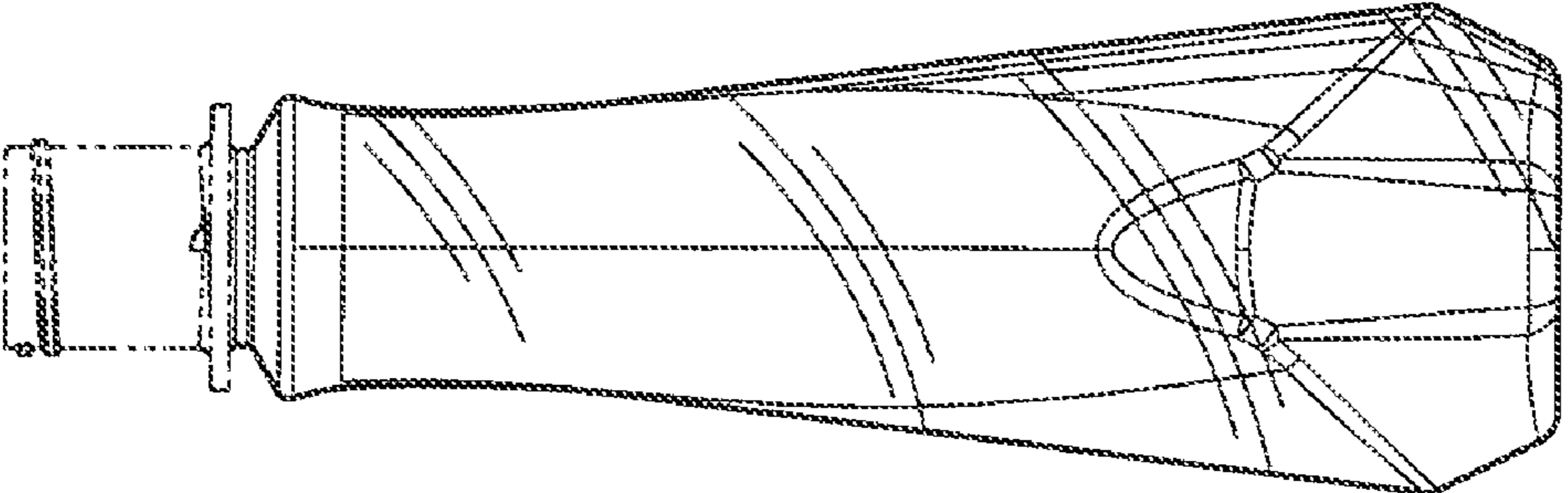


Fig. 5

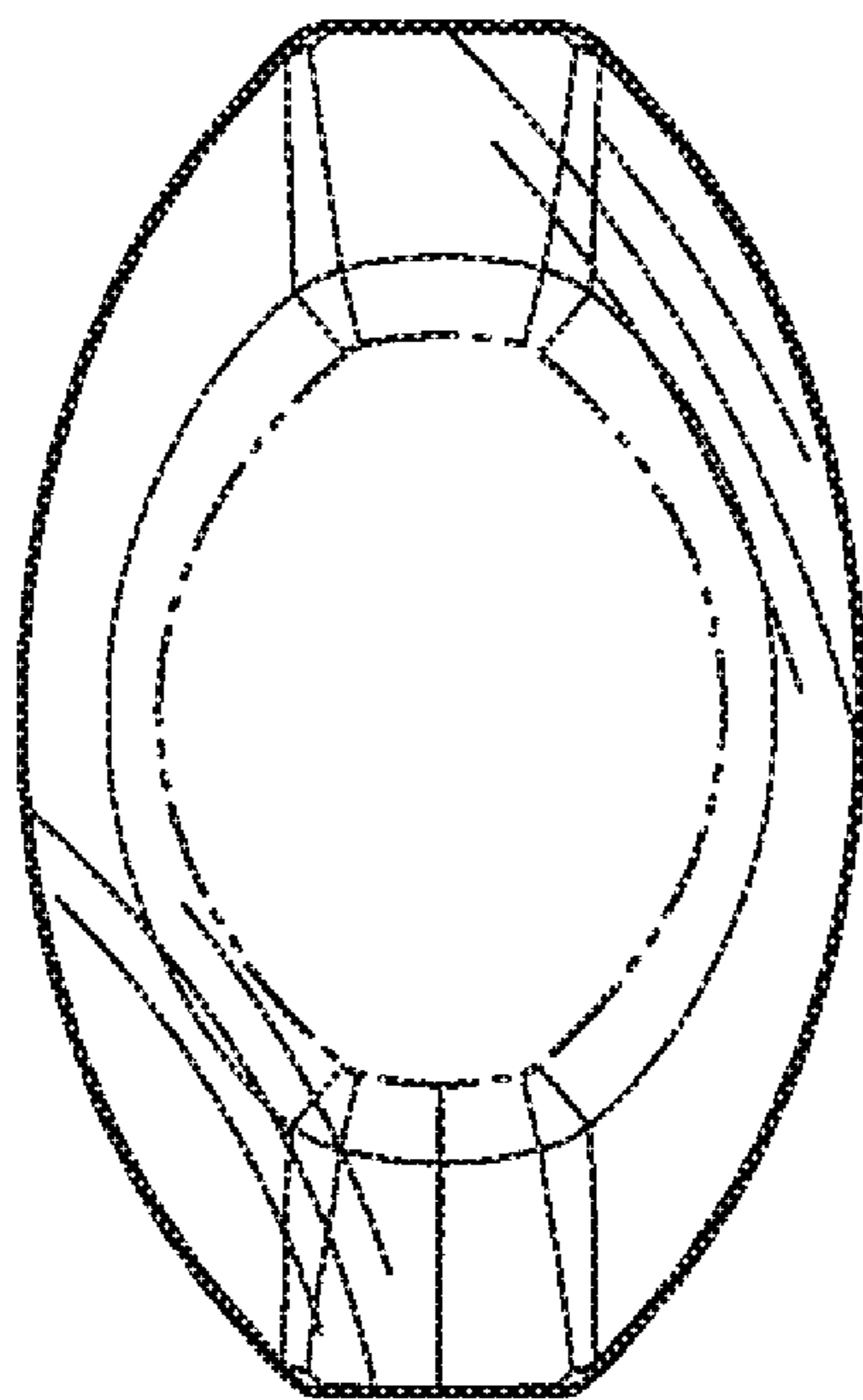


Fig. 6

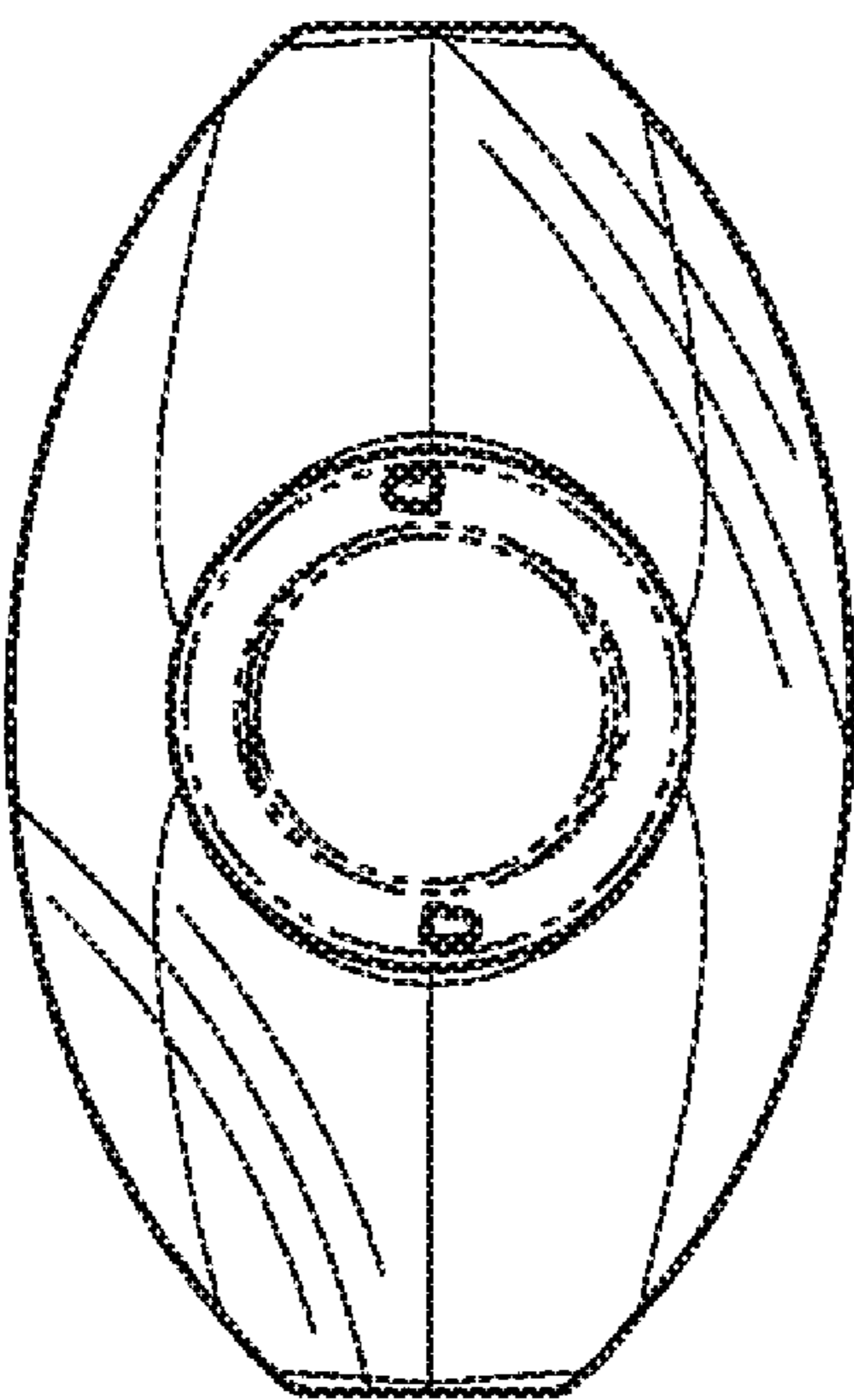


Fig. 7

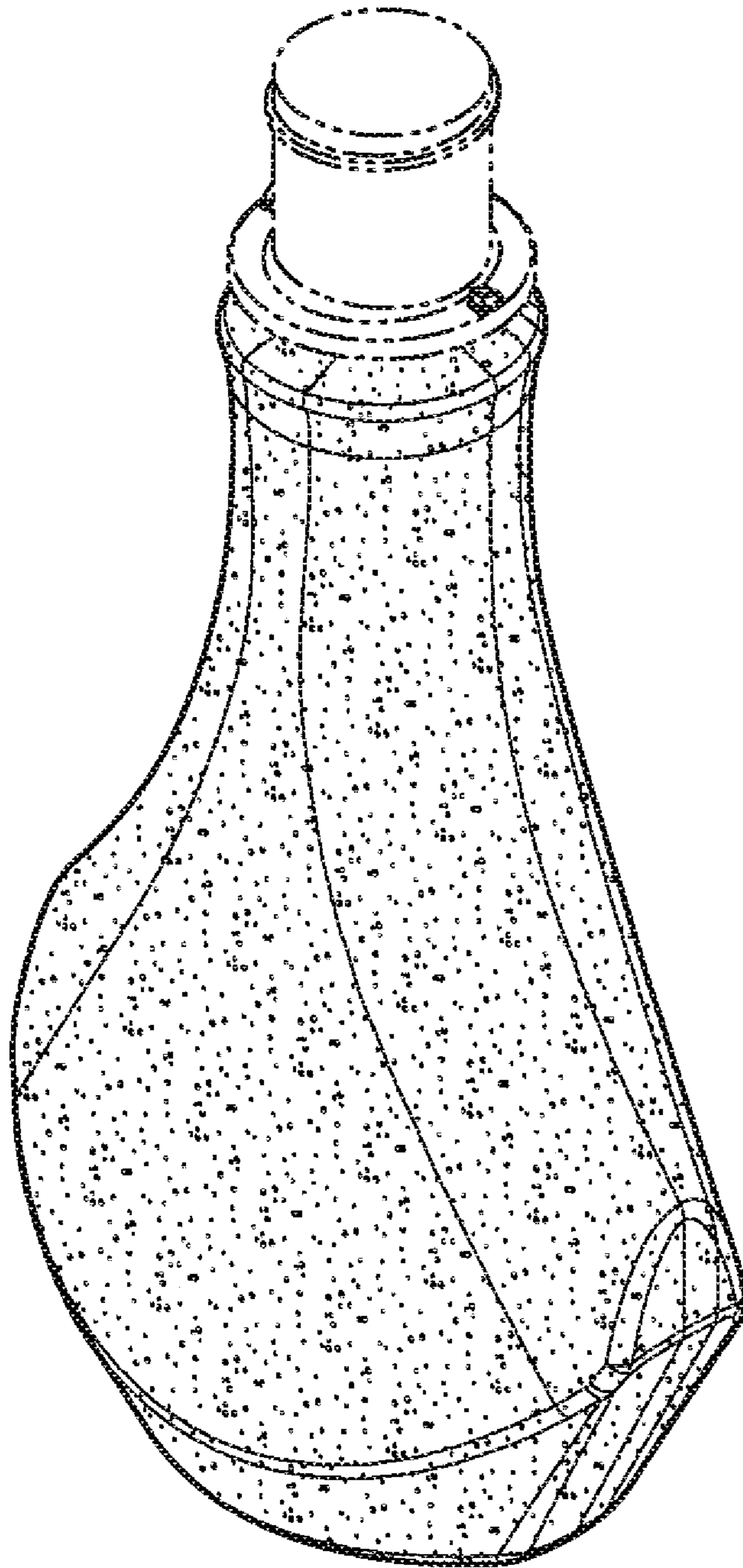


Fig. 8

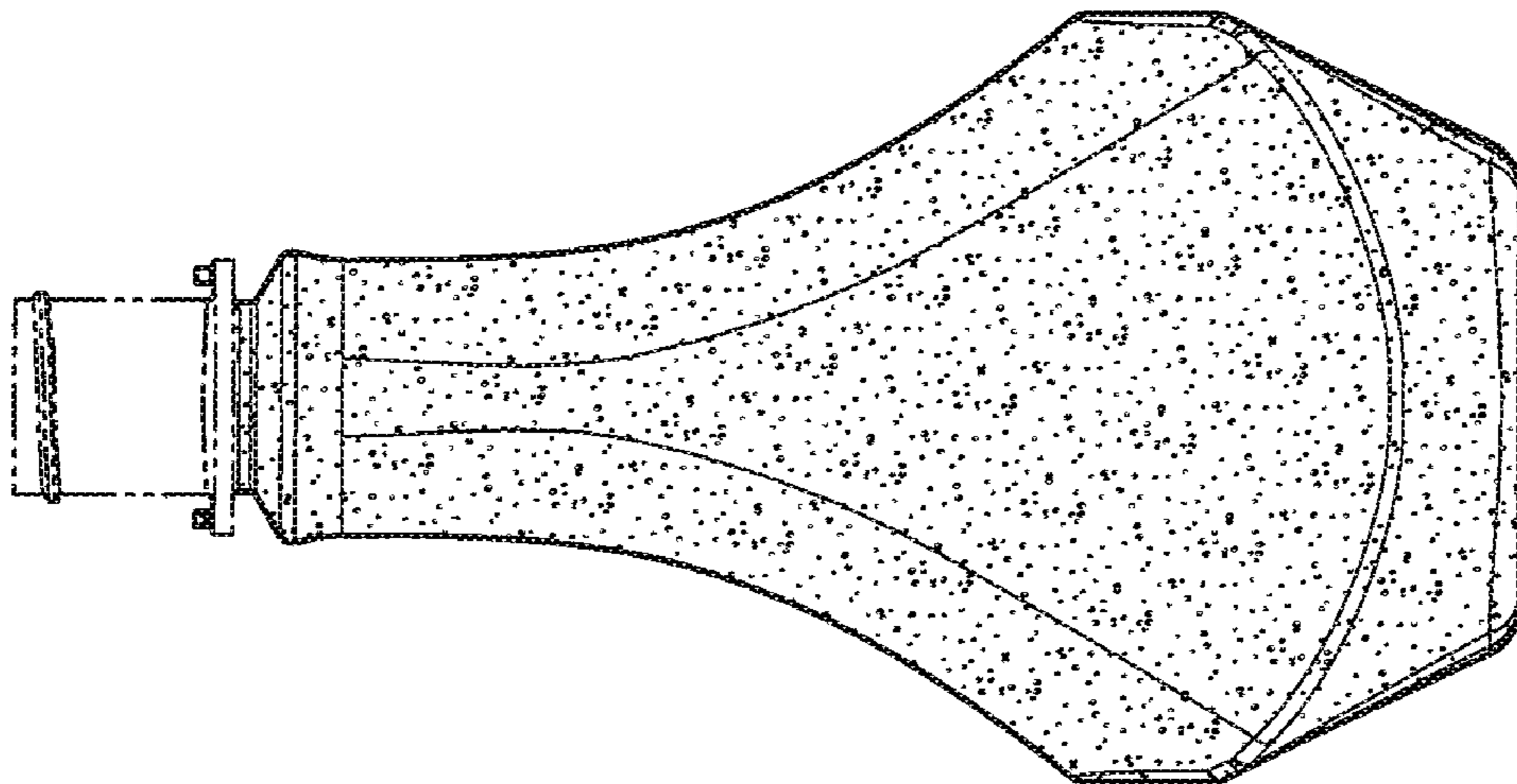


Fig. 9

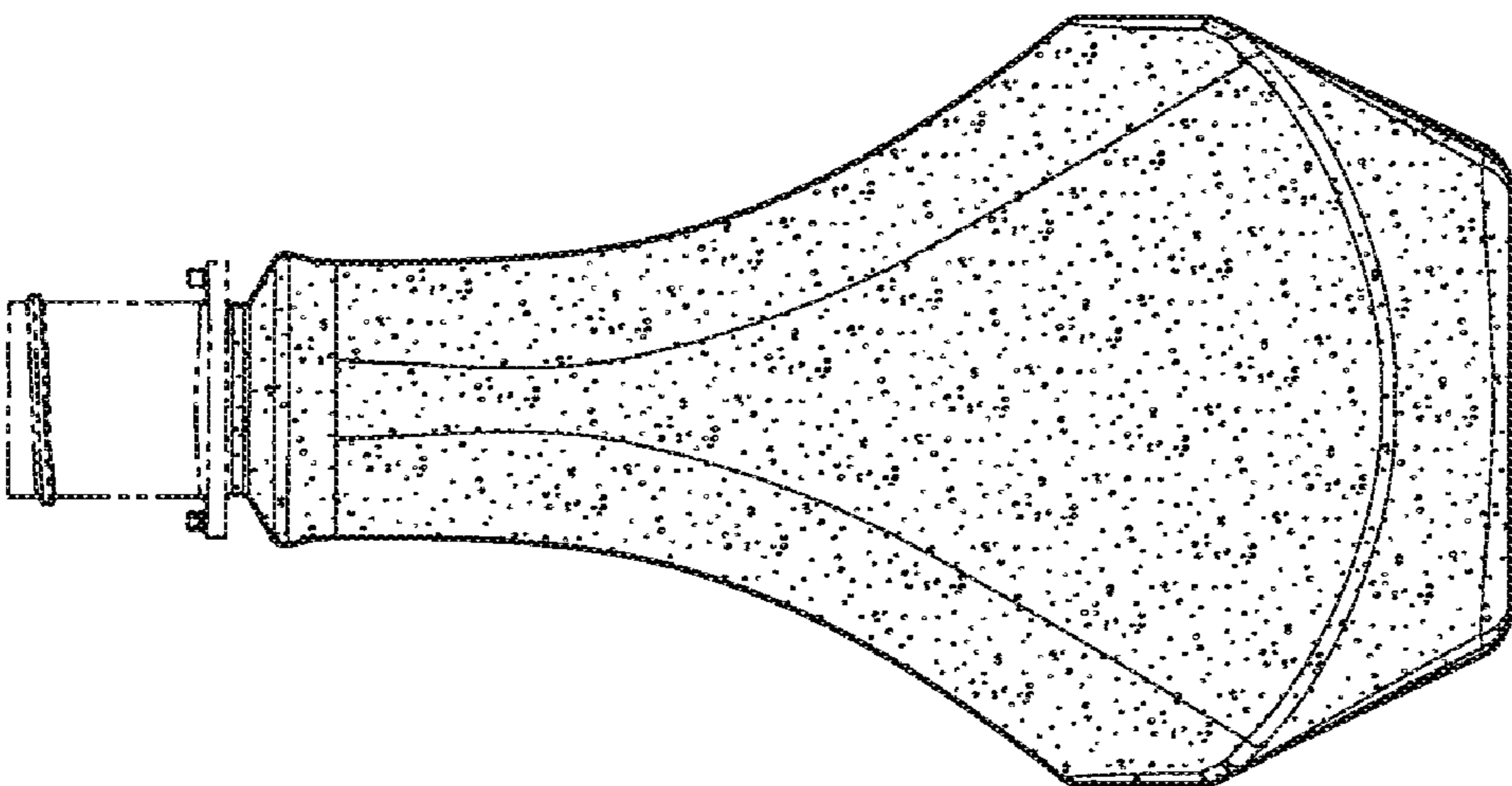


Fig. 10

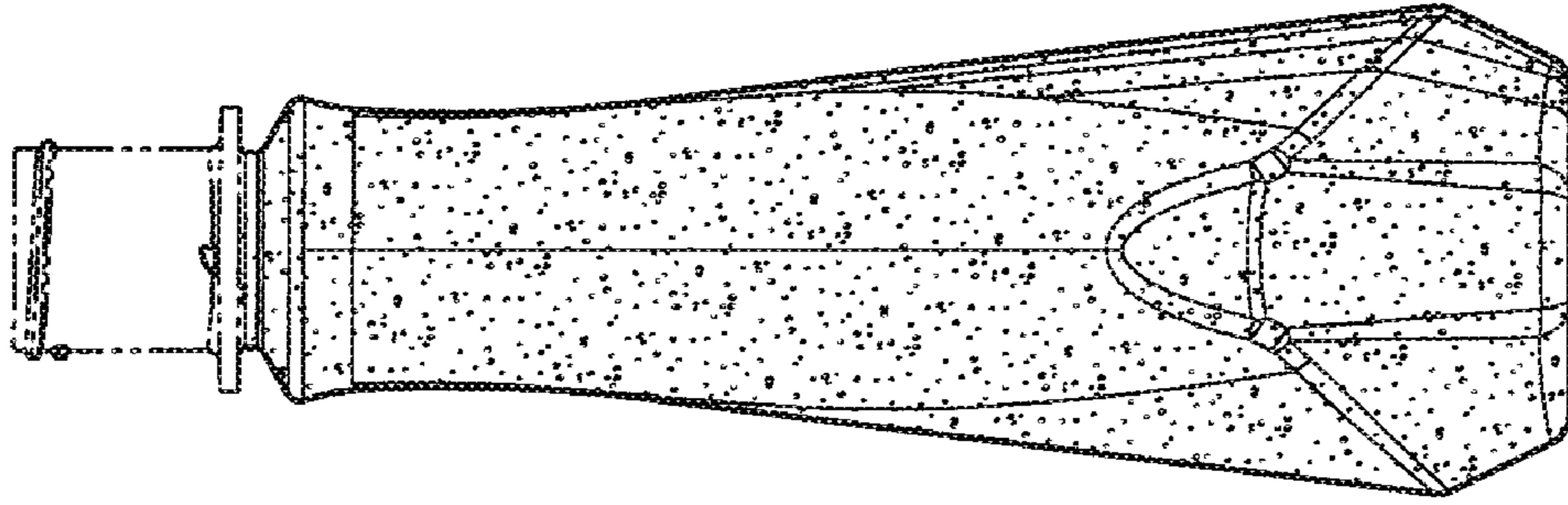


Fig. 12

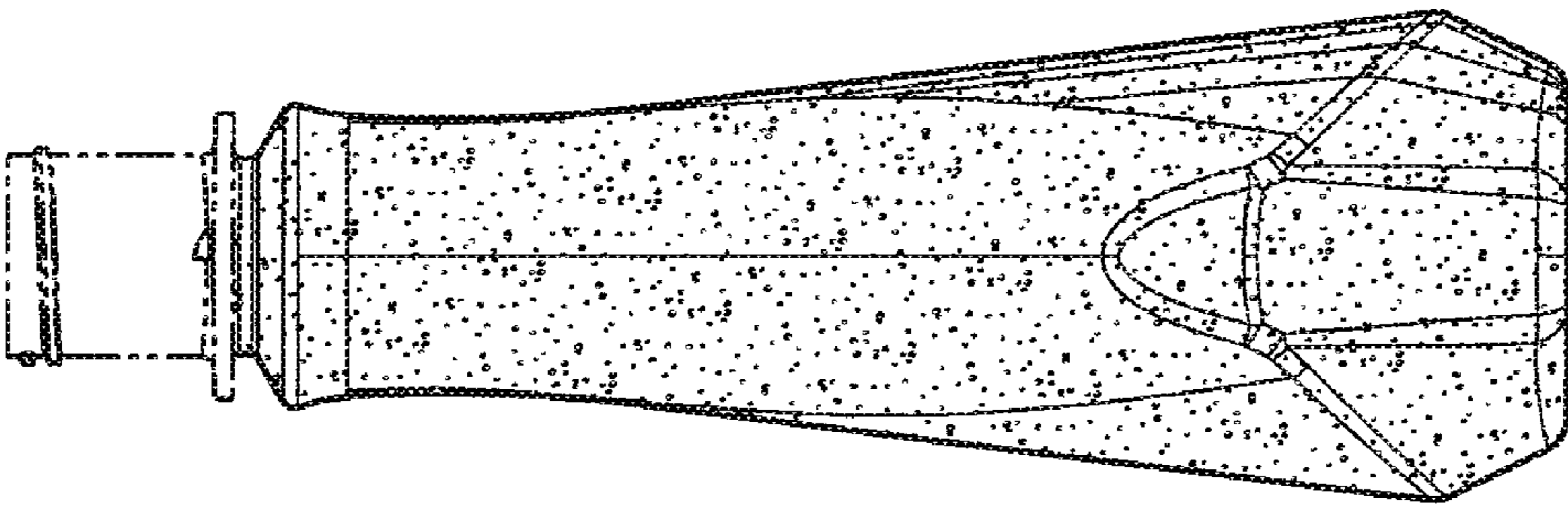


Fig. 11

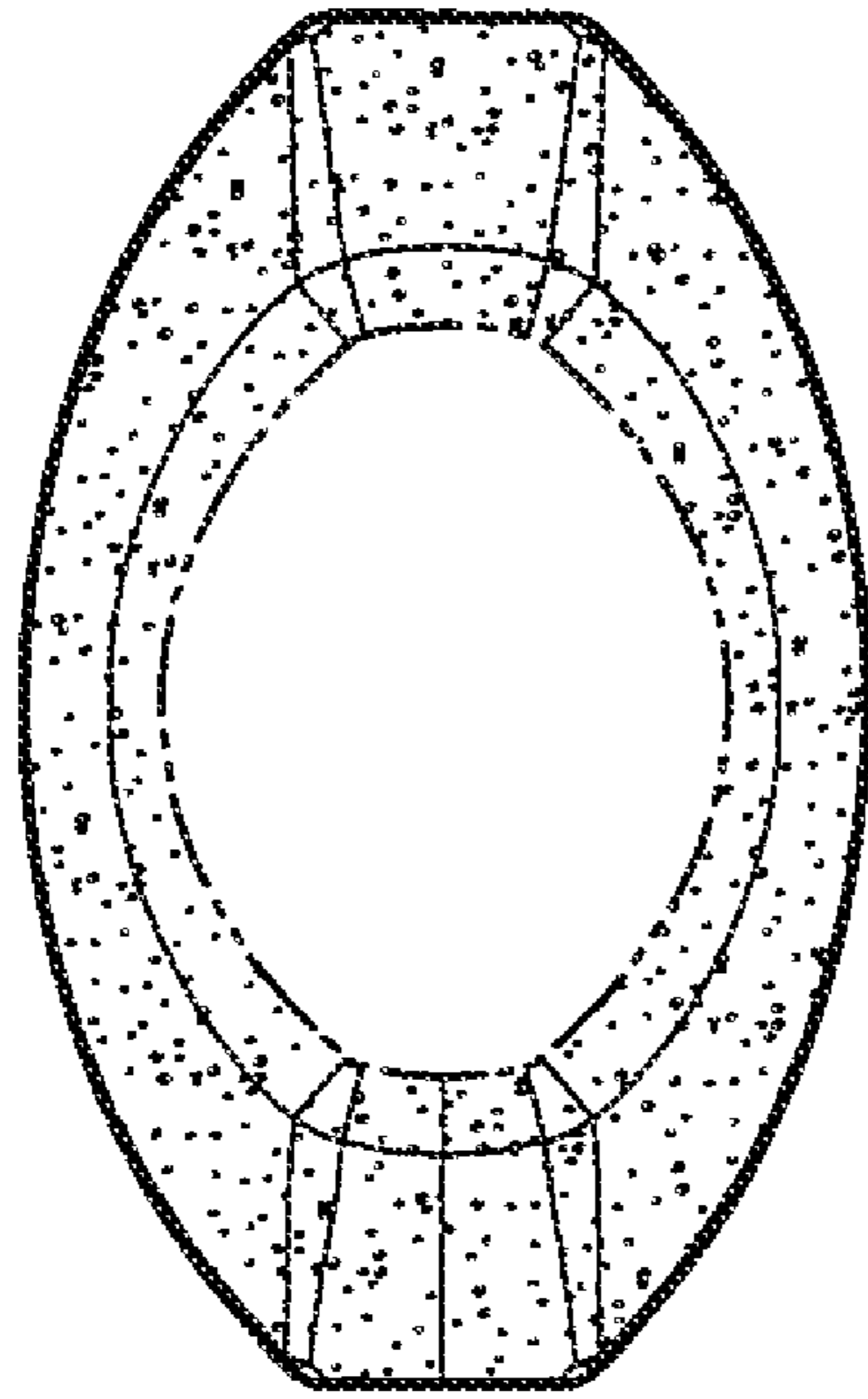


Fig. 13

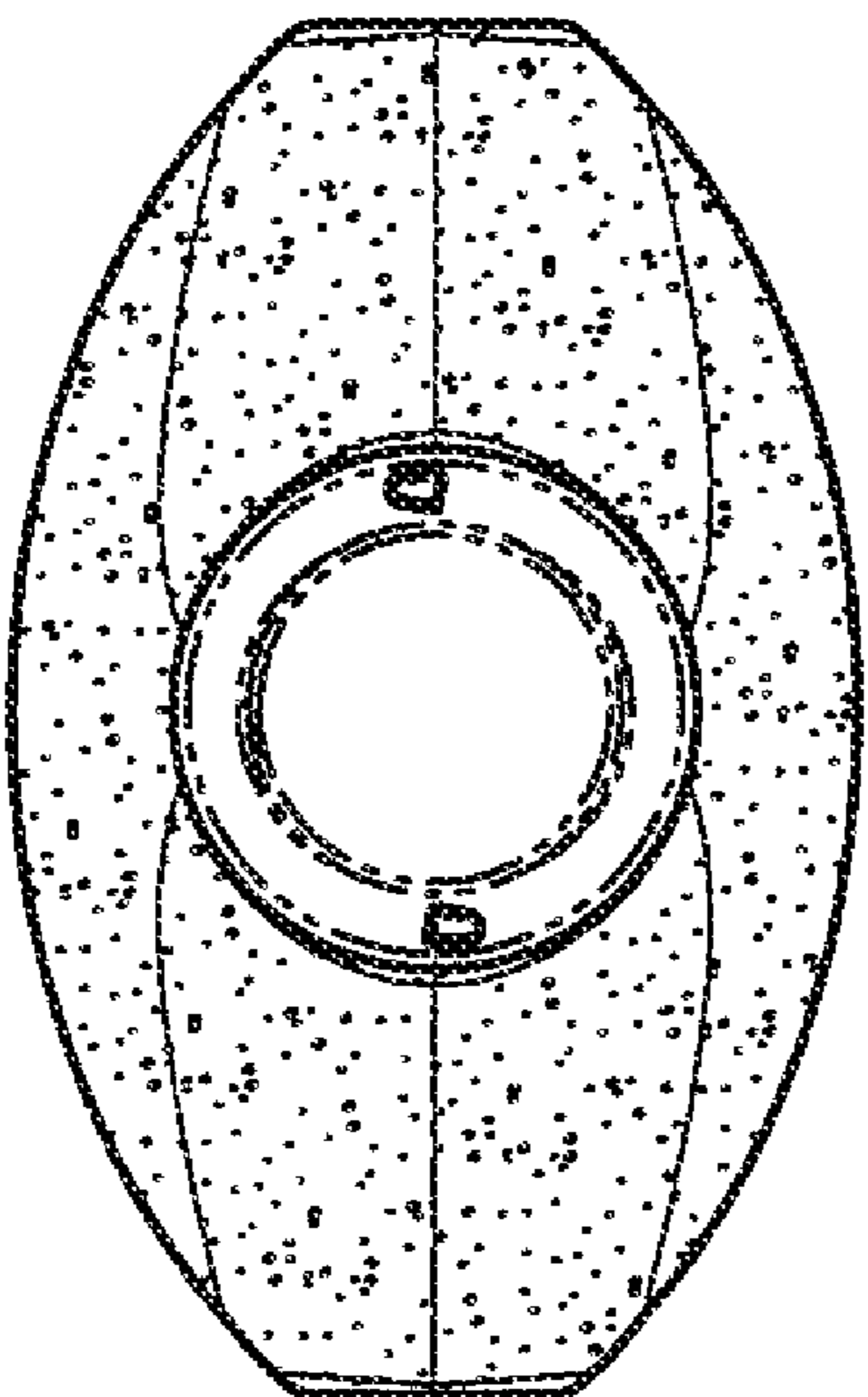


Fig. 14

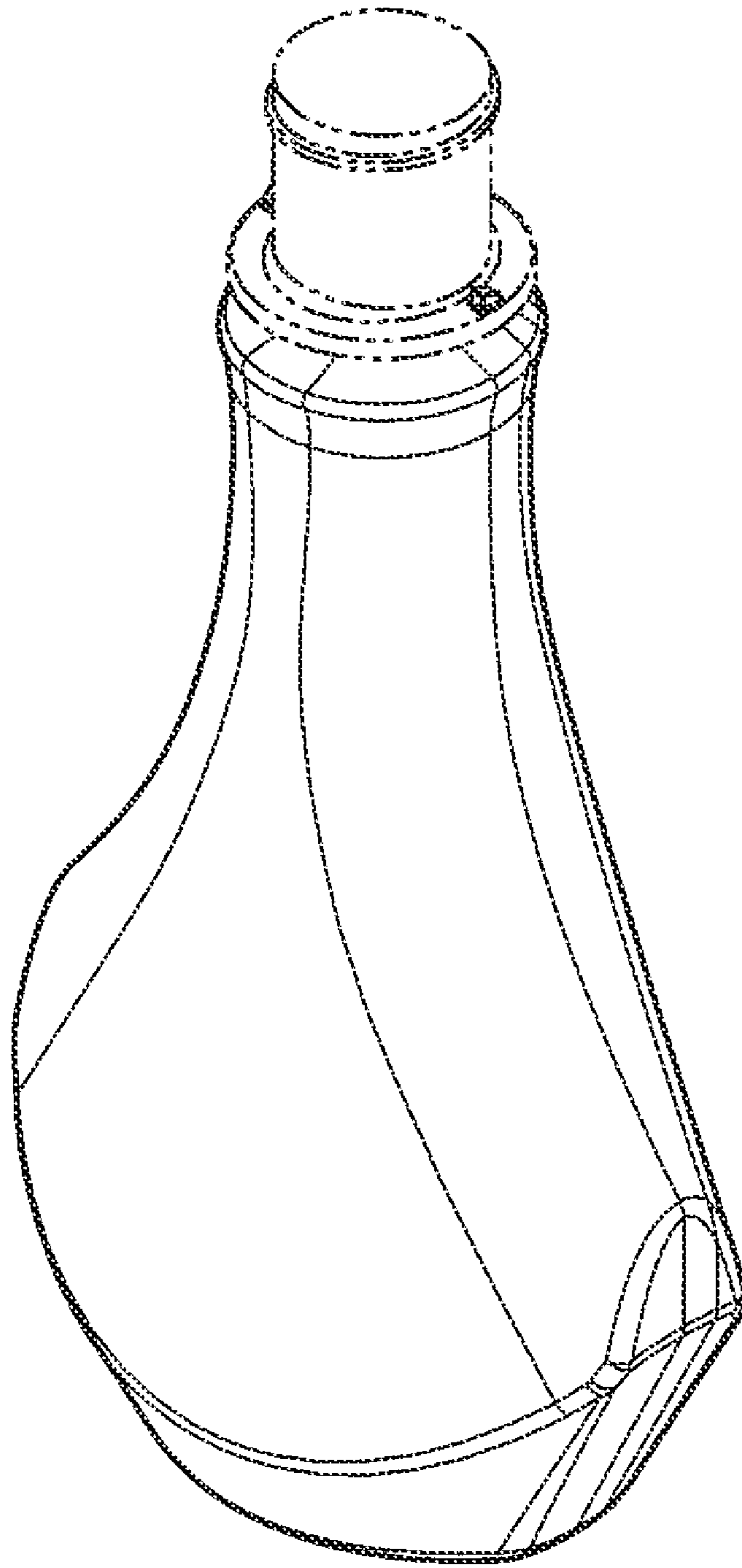


Fig. 15

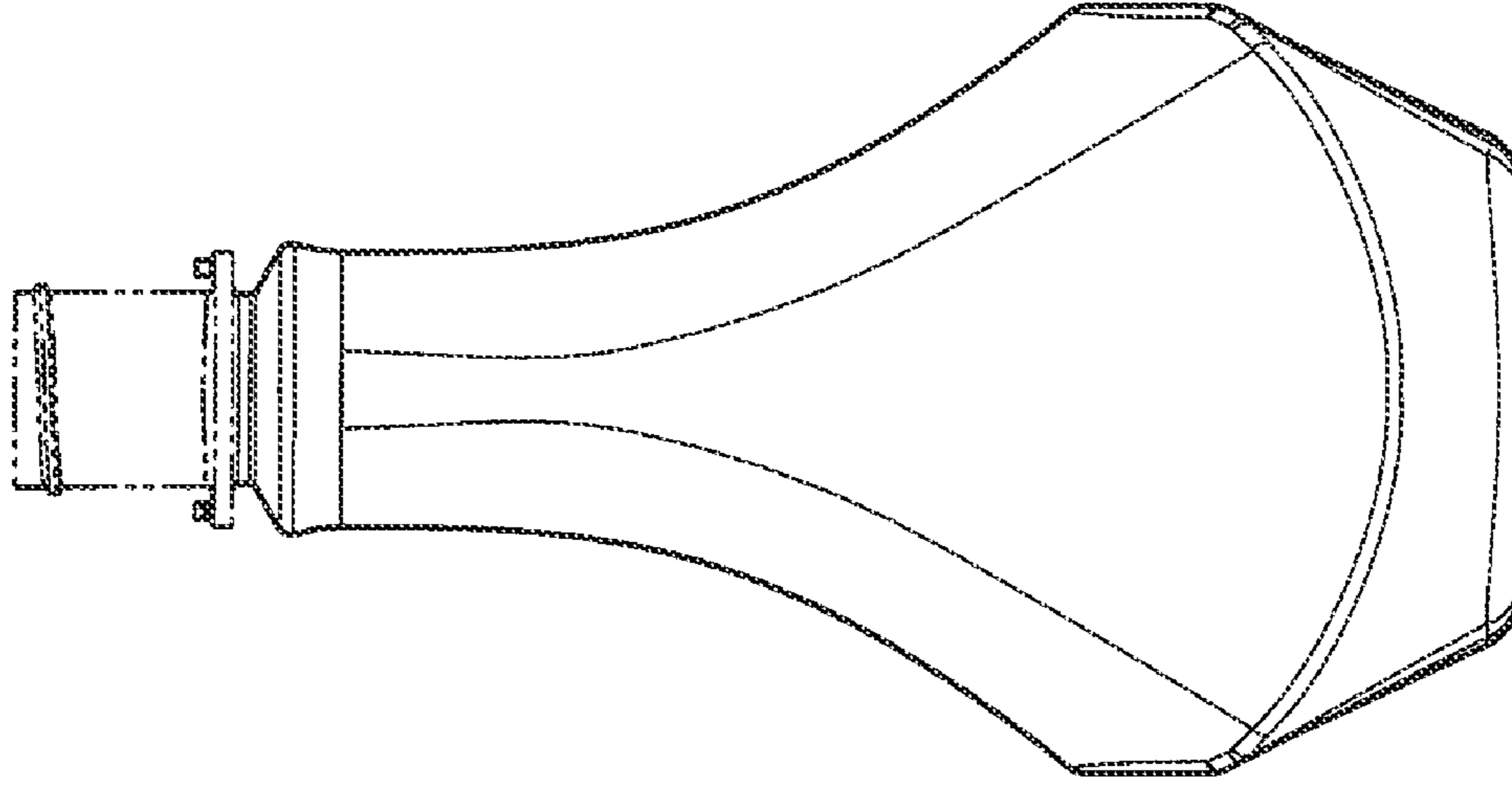


Fig. 17

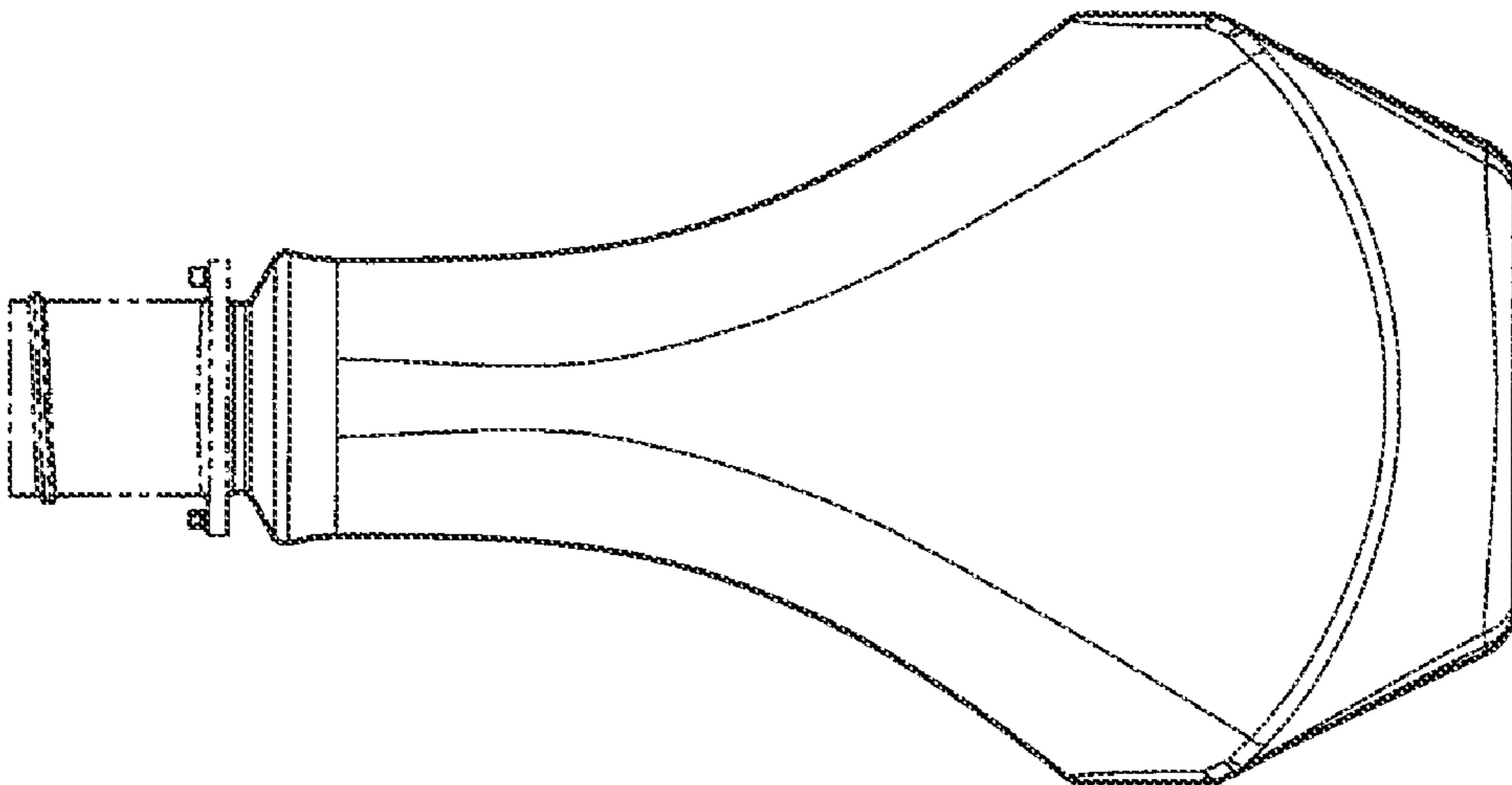


Fig. 16

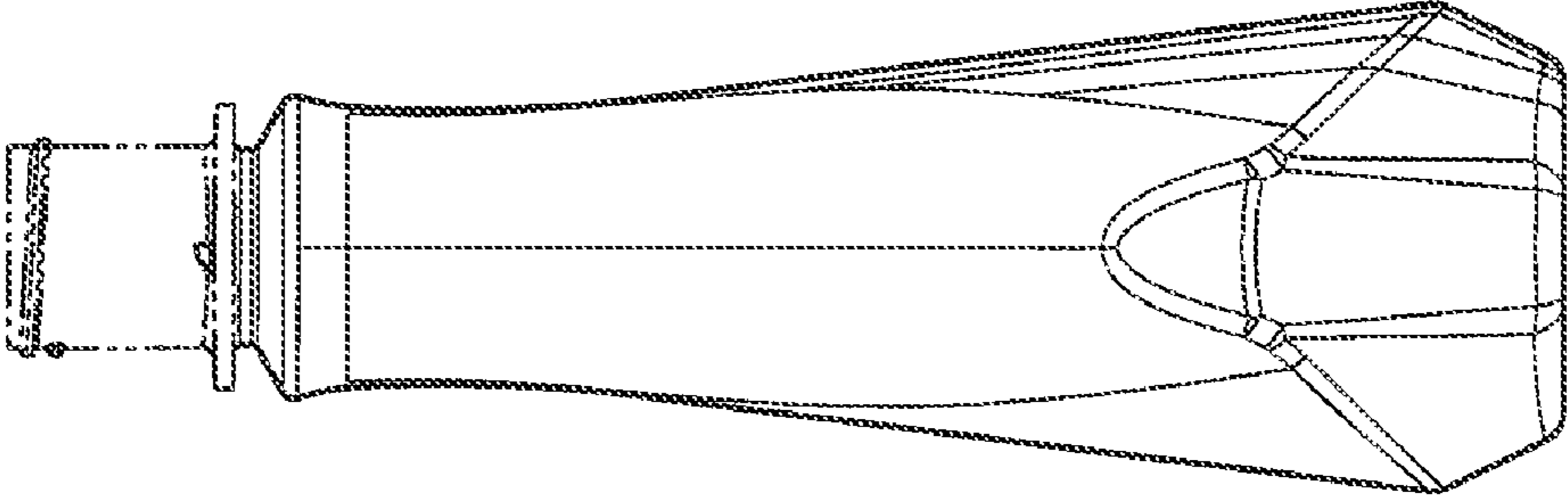


Fig. 18

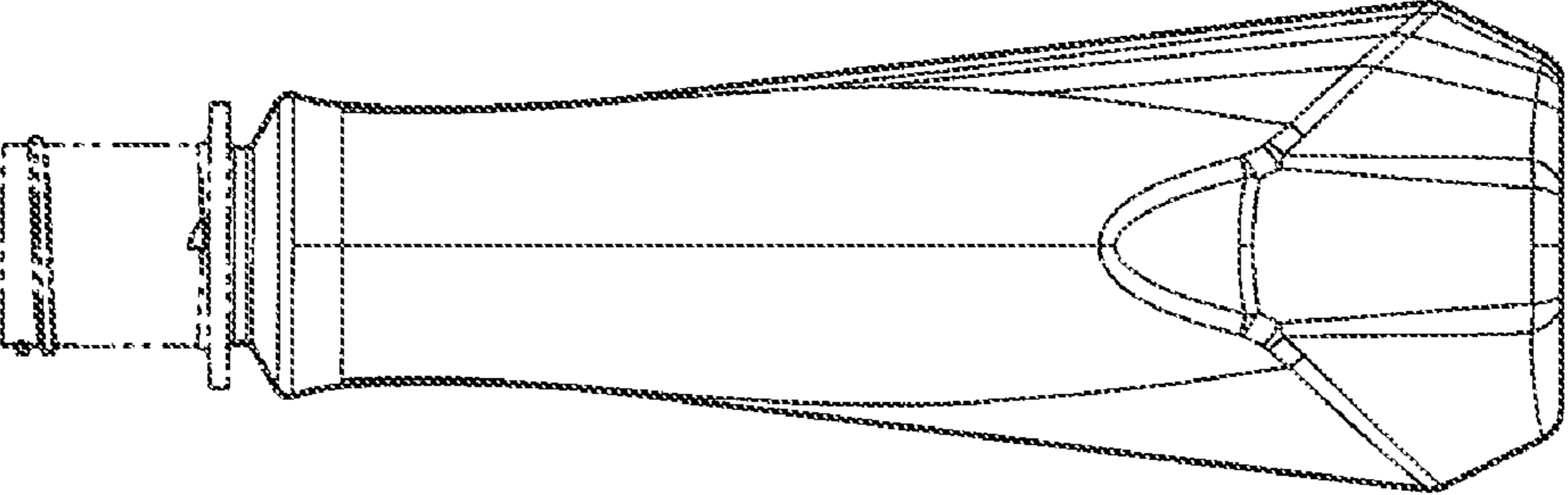


Fig. 19

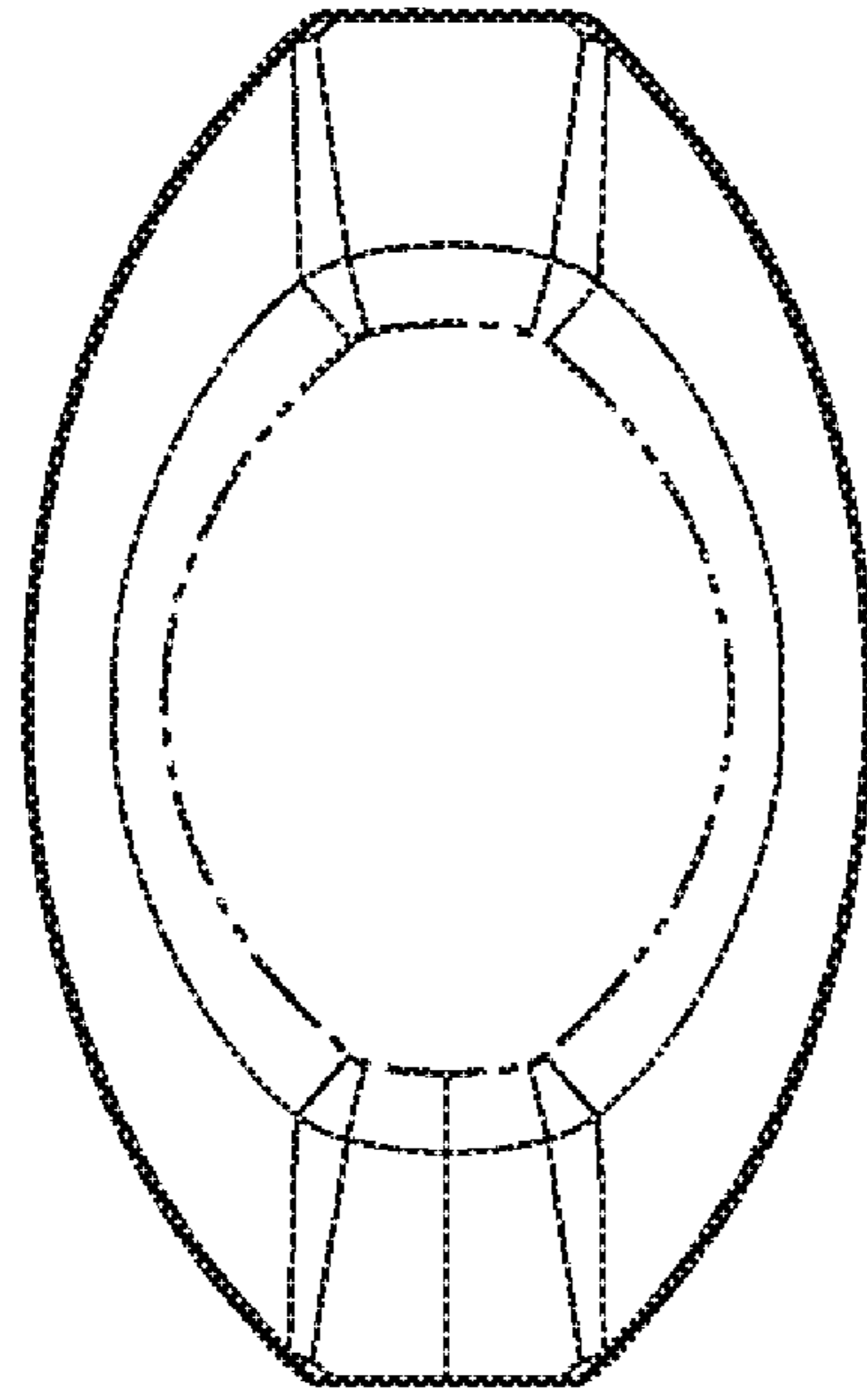


Fig. 21

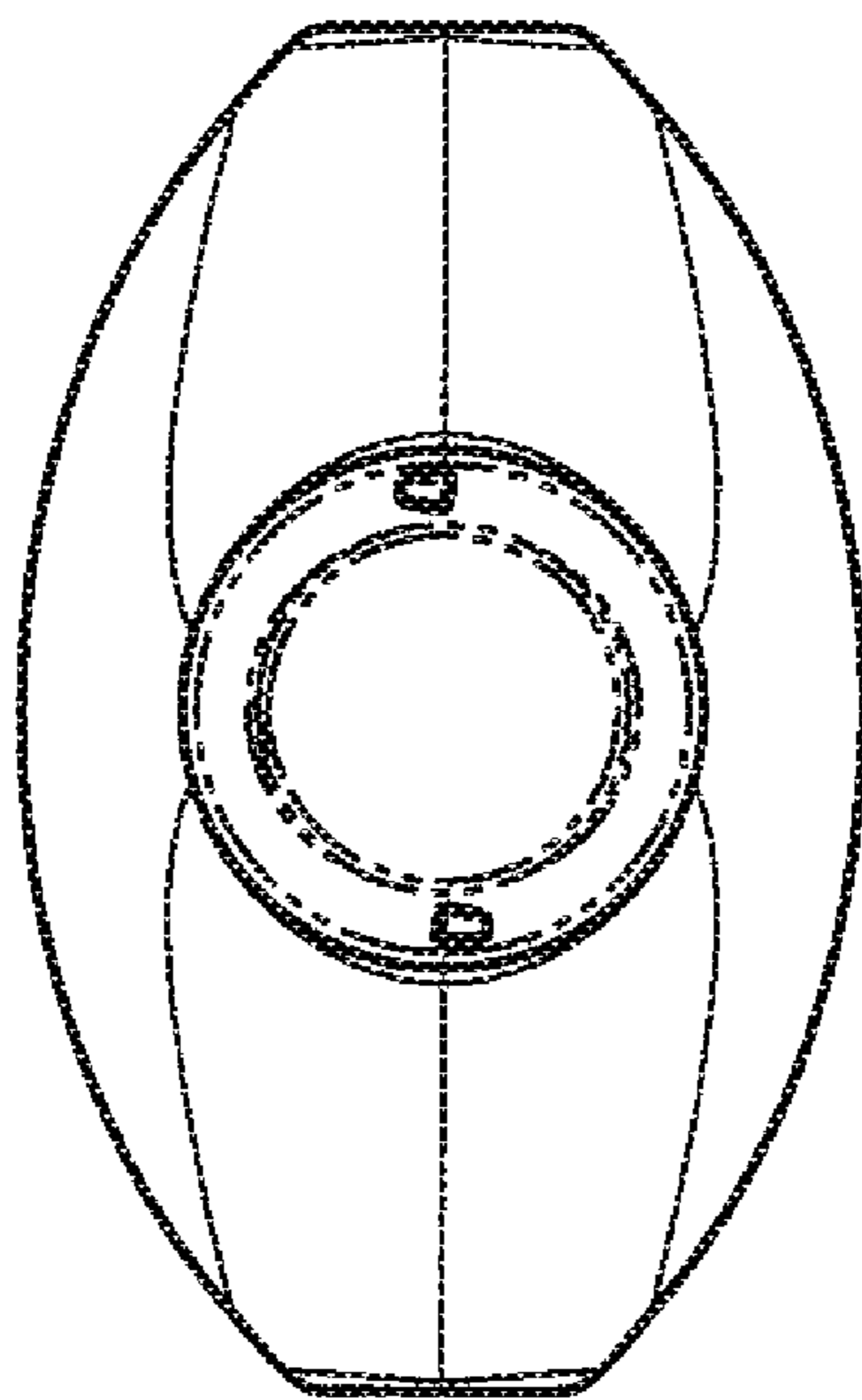


Fig. 20