



US00D591606S

(12) **United States Design Patent**
Pace et al.

(10) **Patent No.:** **US D591,606 S**
(45) **Date of Patent:** **** May 5, 2009**

(54) **BOTTLE**

(75) Inventors: **Gwen Elaine Pace**, Morrow, OH (US);
Michael Dean McCutchan, Hamilton,
OH (US); **Christopher Miles Miller**,
Hamilton, OH (US)

(73) Assignee: **The Procter & Gamble Company**,
Cincinnati, OH (US)

(**) Term: **14 Years**

(21) Appl. No.: **29/292,462**

(22) Filed: **Oct. 12, 2007**

(51) **LOC (9) Cl.** **90-01**

(52) **U.S. Cl.** **D9/566; D9/539**

(58) **Field of Classification Search** D9/519,
D9/530, 537-543, 549, 553, 566, 572-575;
215/12.1-12.2, 13.1, 381-385, 396, 398
See application file for complete search history.

(56) **References Cited**

U.S. PATENT DOCUMENTS

D43,507 S 2/1913 Nelson

(Continued)

Primary Examiner—Nanda Bondade

(74) *Attorney, Agent, or Firm*—Emelyn L. Hiland

(57) **CLAIM**

The ornamental design for a bottle, as shown and described.

DESCRIPTION

FIG. 1 is a front perspective view of a bottle incorporating our new design;

FIG. 2 is a front elevational view thereof;

FIG. 3 is a side elevational view thereof, the opposing side elevational view being identical;

FIG. 4 is a rear elevational view thereof;

FIG. 5 is a top plan view thereof; and

FIG. 6 is a bottom view thereof;

FIG. 7 is a front perspective view of a second embodiment showing a white opaque bottle;

FIG. 8 is a front elevational view thereof;

FIG. 9 is a side elevational view thereof, the opposing side elevational view being identical;

FIG. 10 is a rear elevational view thereof;

FIG. 11 is a top plan view thereof; and

FIG. 12 is a bottom view thereof;

FIG. 13 is a front perspective view of a third embodiment showing a blue translucent bottle, the color being represented by the solid horizontal lines;

FIG. 14 is a front elevational view thereof;

FIG. 15 is a side elevational view thereof, the opposing side elevational view being identical;

FIG. 16 is a rear elevational view thereof; and

FIG. 17 is a top plan view thereof; and

FIG. 18 is a bottom view thereof;

FIG. 19 is a front perspective view of a fourth embodiment showing a colorless transparent bottle;

FIG. 20 is a front elevational view thereof;

FIG. 21 is a side elevational view thereof, the opposing side elevational view being identical;

FIG. 22 is a rear elevational view thereof; and

FIG. 23 is a top plan view thereof; and,

FIG. 24 is a bottom view thereof.

The broken lines shown in the drawings are for illustrative purposes only and form no part of the claimed design.

1 Claim, 8 Drawing Sheets



US D591,606 S

Page 2

U.S. PATENT DOCUMENTS

D62,683 S 7/1923 Weeks
D175,447 S 8/1955 Tucker
D194,809 S 3/1963 DuPree
3,443,710 A 5/1969 Hills
D230,709 S 3/1974 Cooper
D236,586 S 9/1975 McDonald
D236,686 S 9/1975 Atkins
D257,125 S 9/1980 Smali
D276,791 S 12/1984 Field
D285,054 S 8/1986 Stones
D310,484 S 9/1990 Daucourt

D311,865 S 11/1990 Rohmeder
D327,012 S 6/1992 Gavala et al.
D328,247 S 7/1992 Robineau
D366,620 S 1/1996 Kuzma
D471,467 S 3/2003 Kokubo et al.
D497,314 S 10/2004 Dea
D531,044 S * 10/2006 Owens et al. D9/566
D531,045 S * 10/2006 Owens et al. D9/566
D539,654 S * 4/2007 Owens et al. D9/528
D545,212 S * 6/2007 Kelly D9/566

* cited by examiner

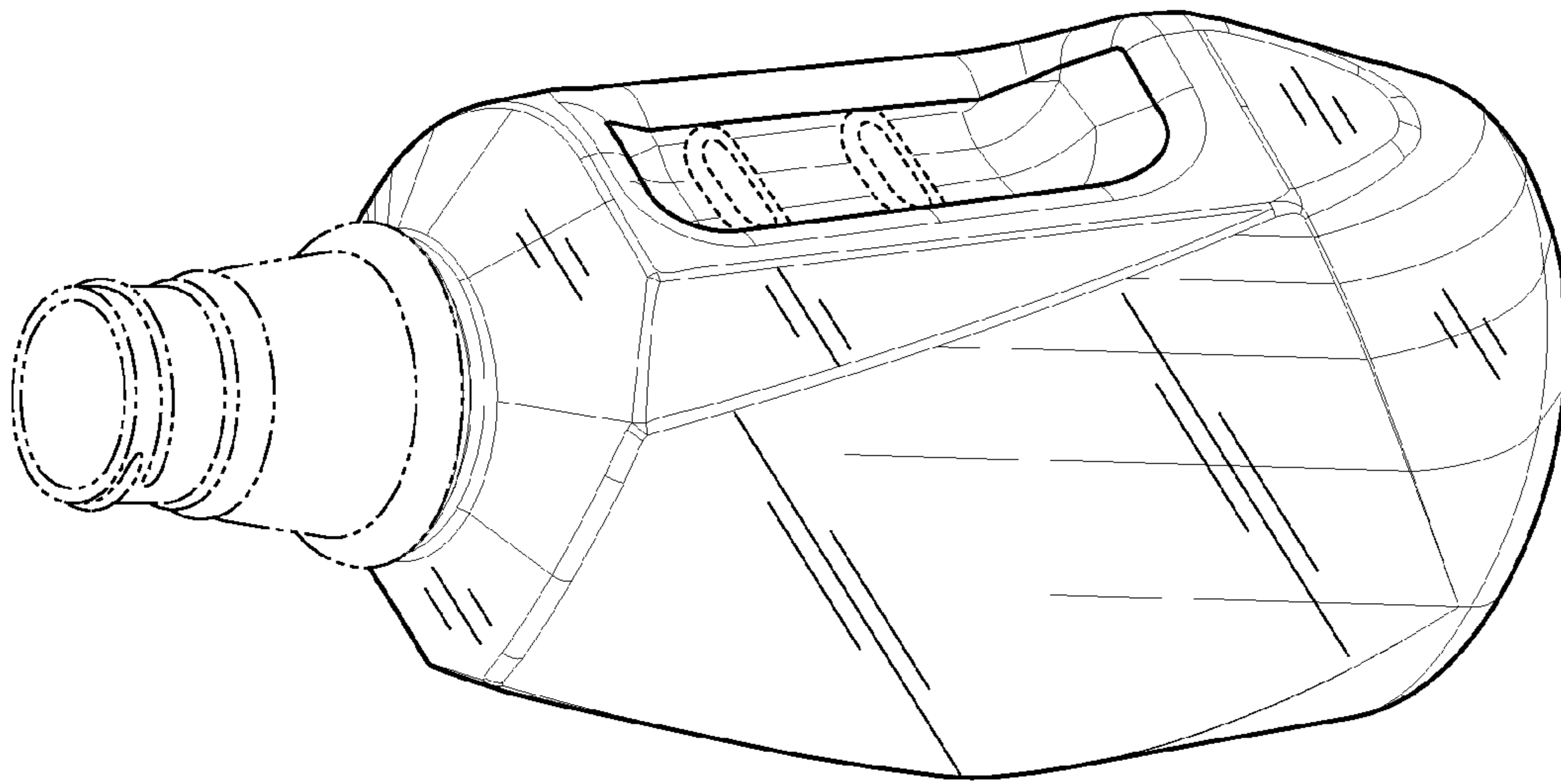


Fig. 1

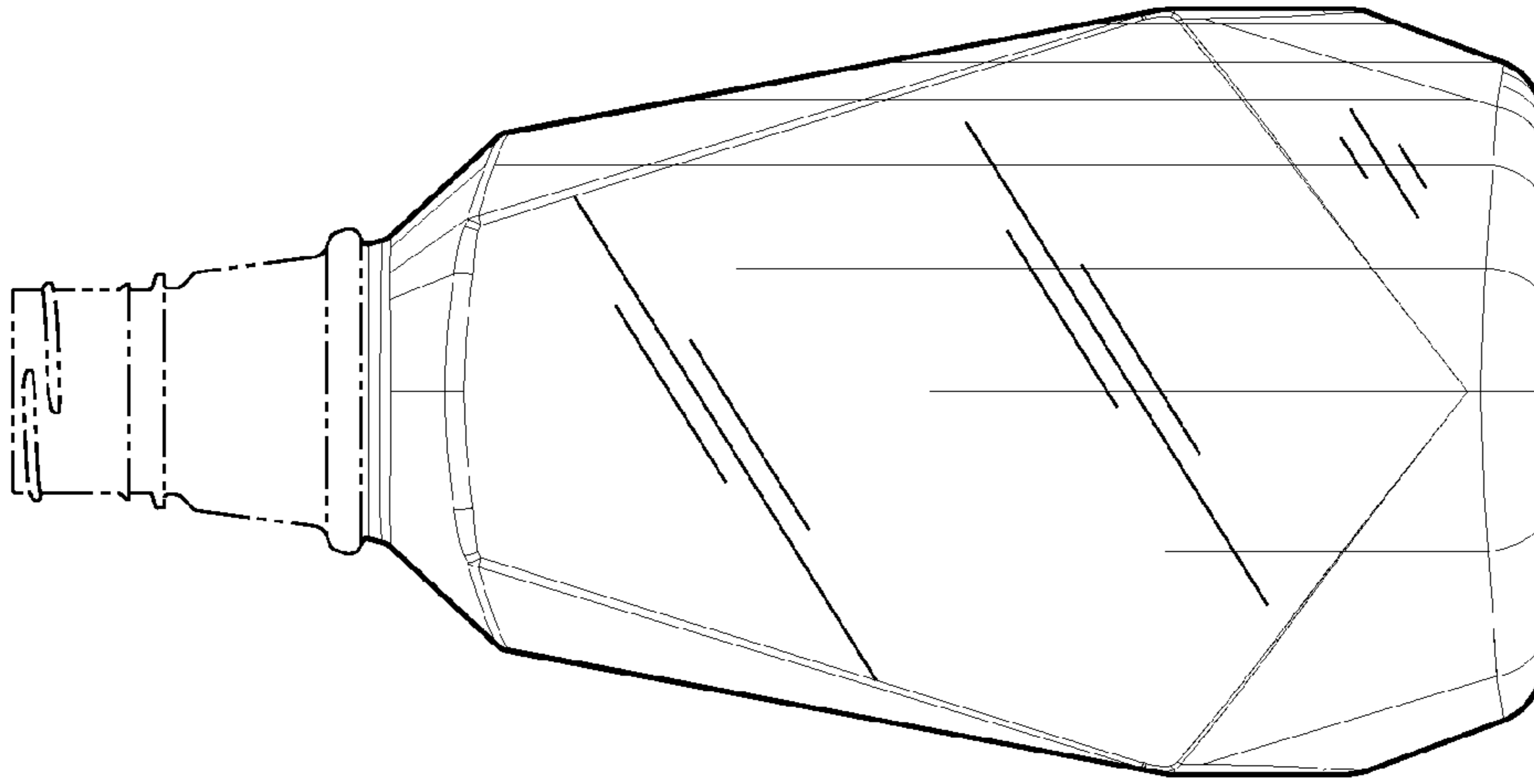


Fig. 2

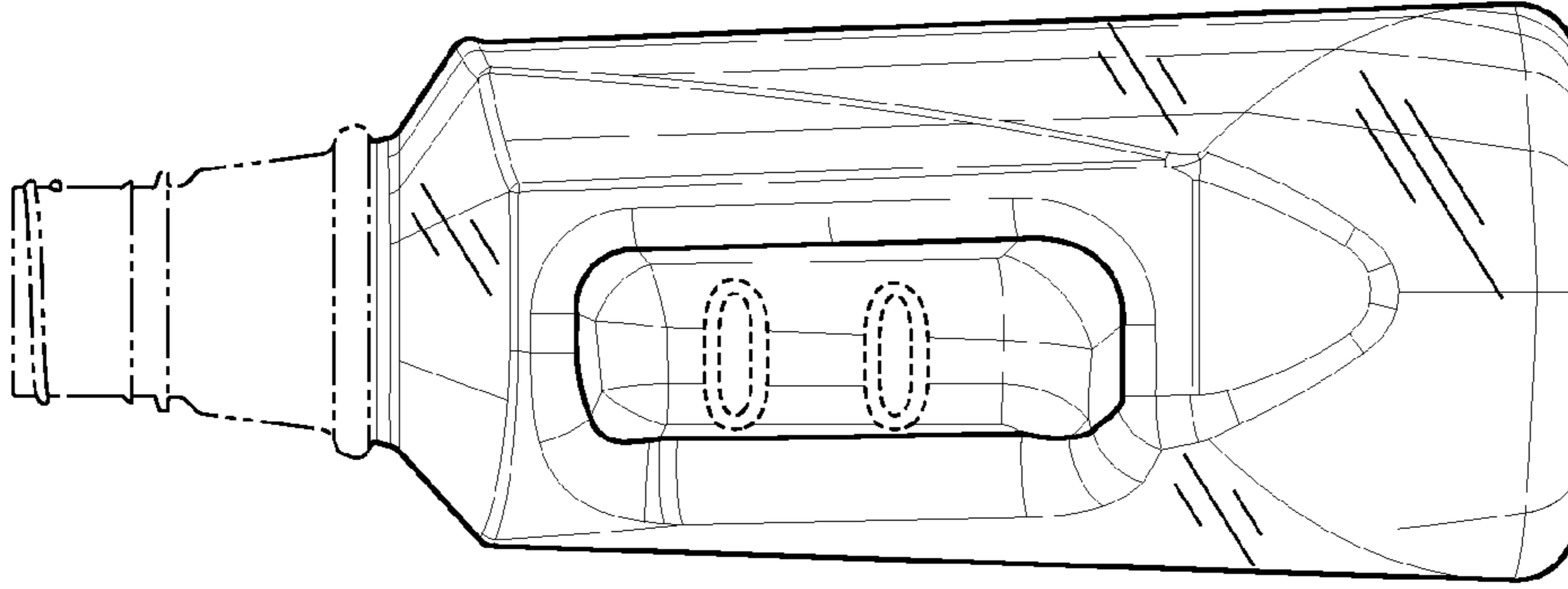


Fig. 3

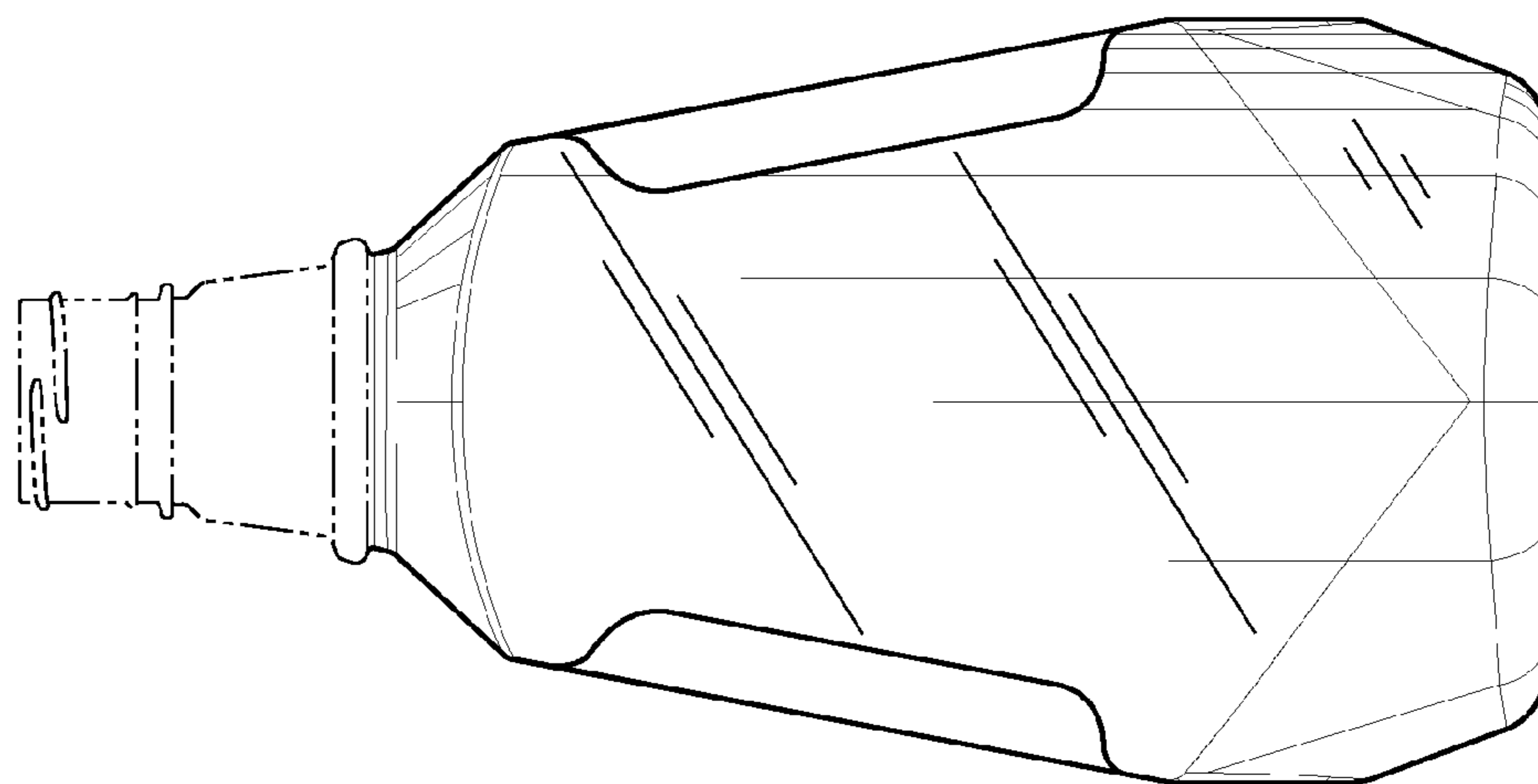


Fig. 4

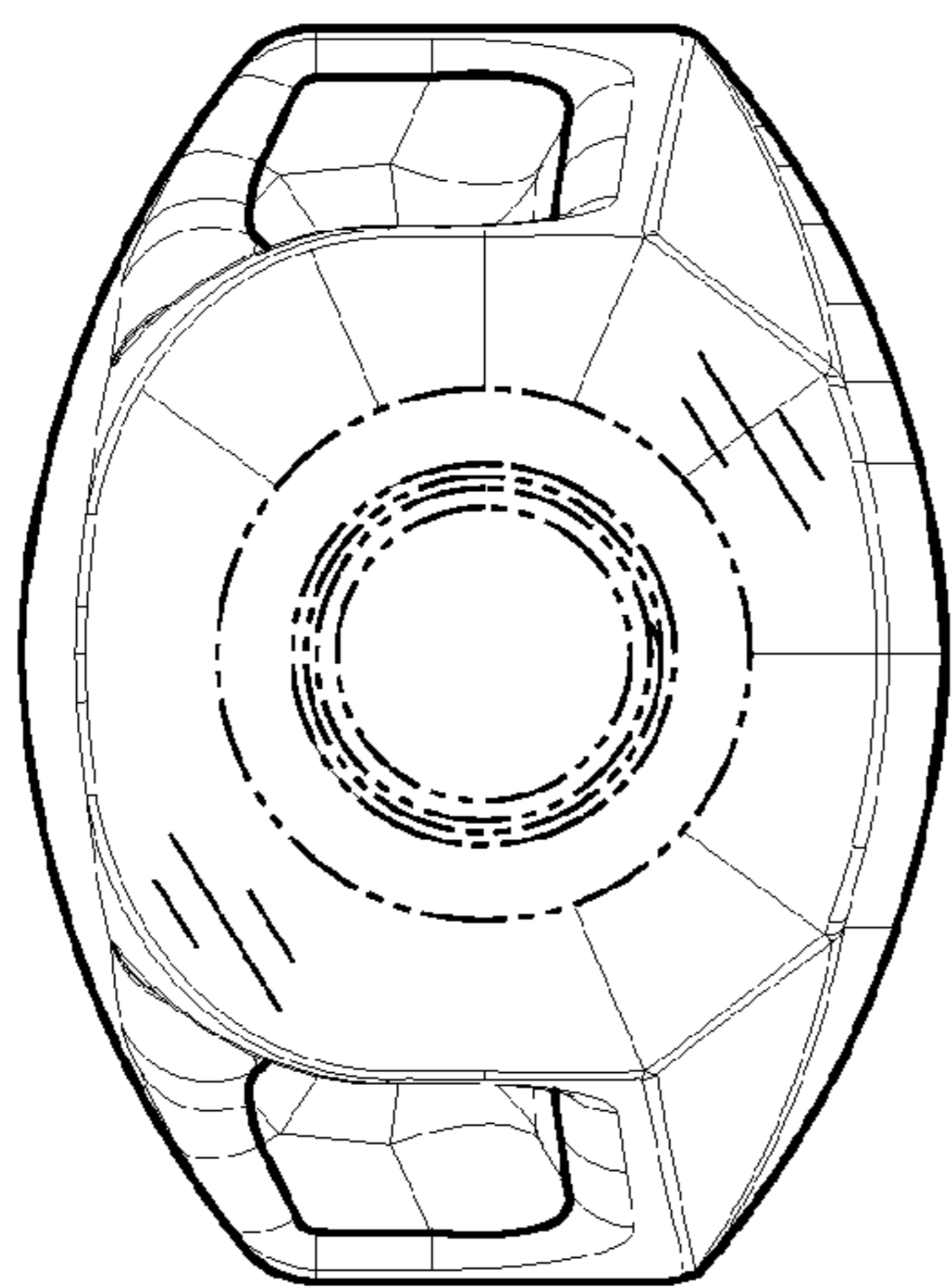


Fig. 5

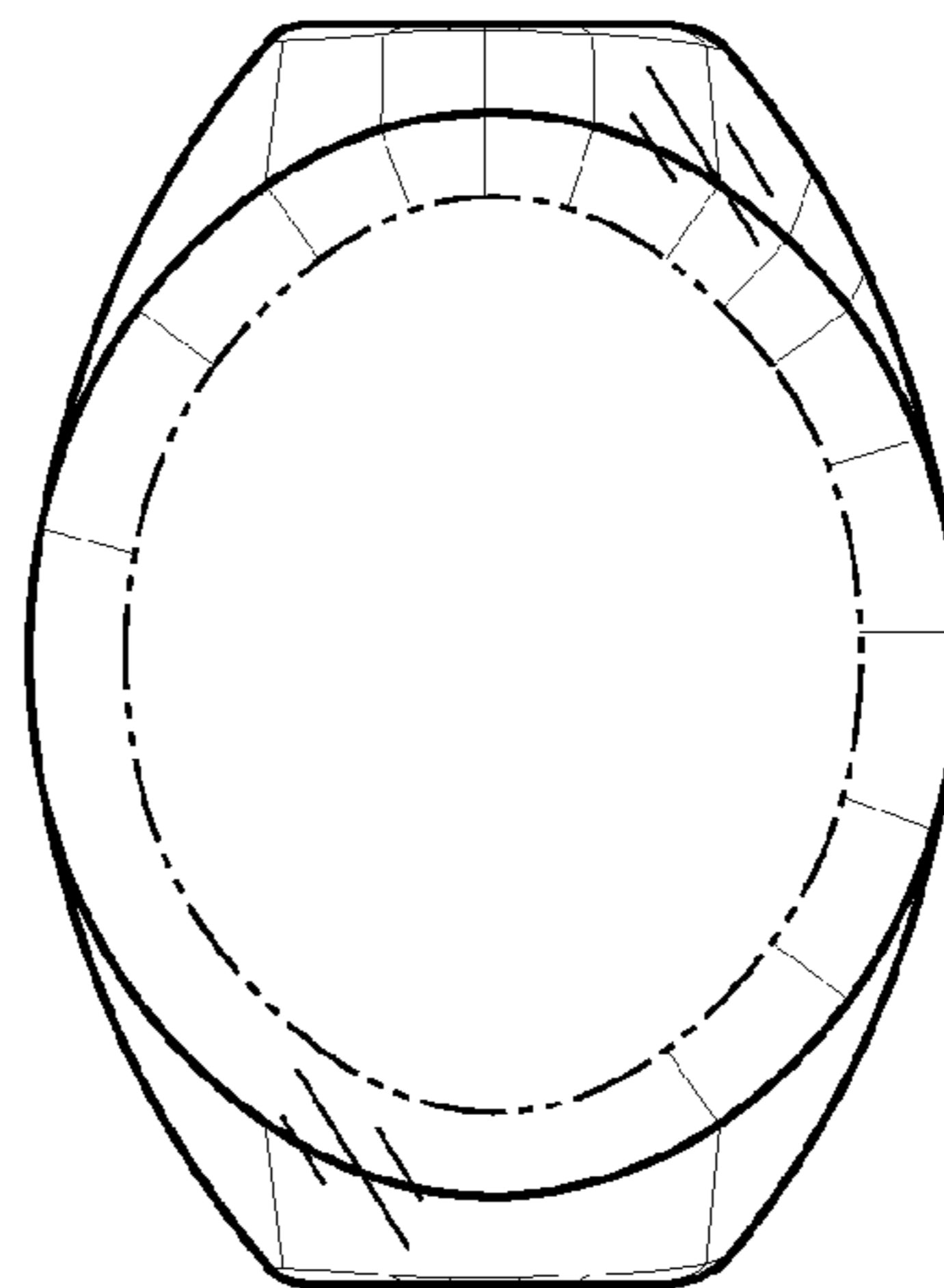


Fig. 6

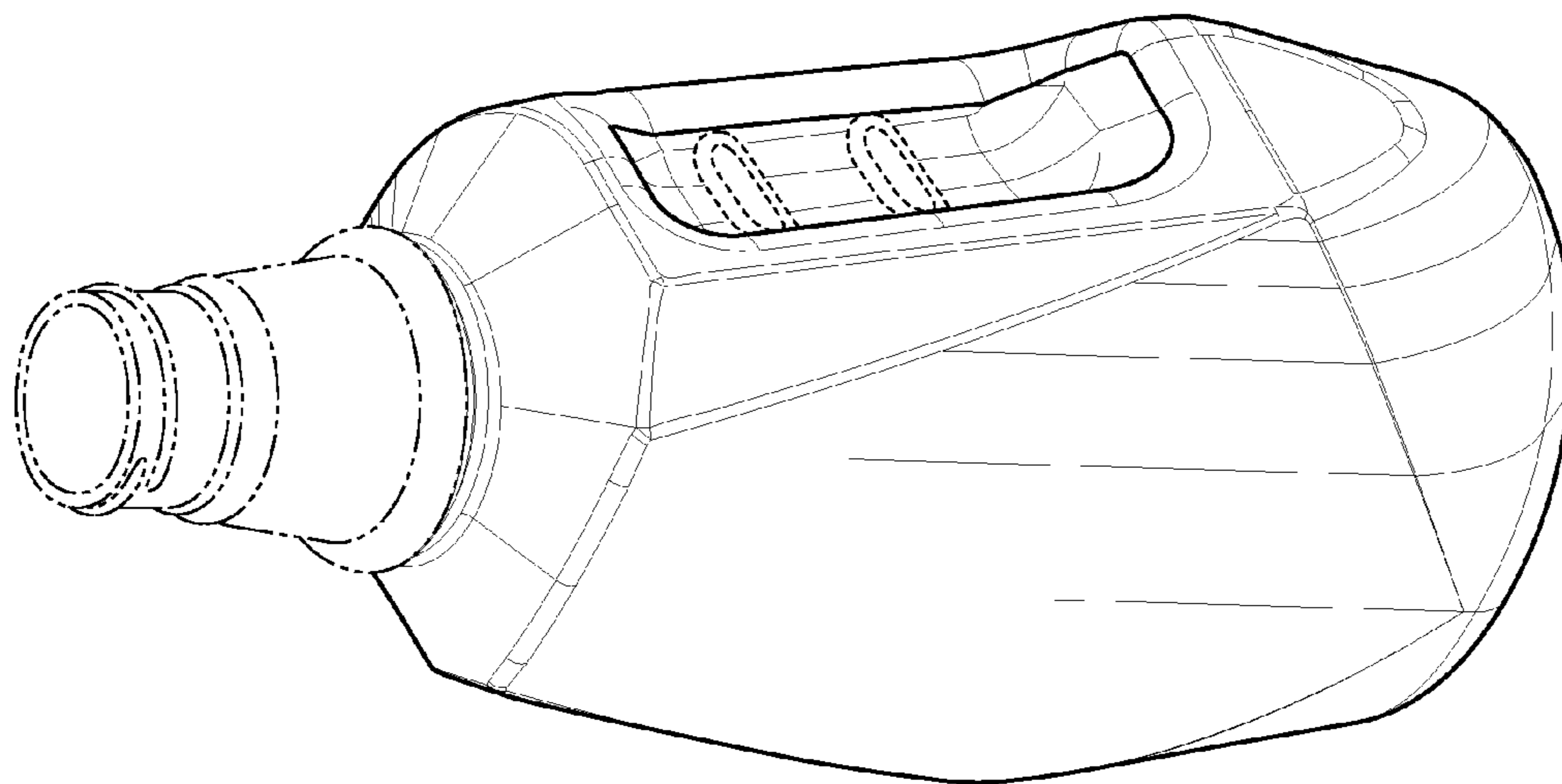


Fig. 7

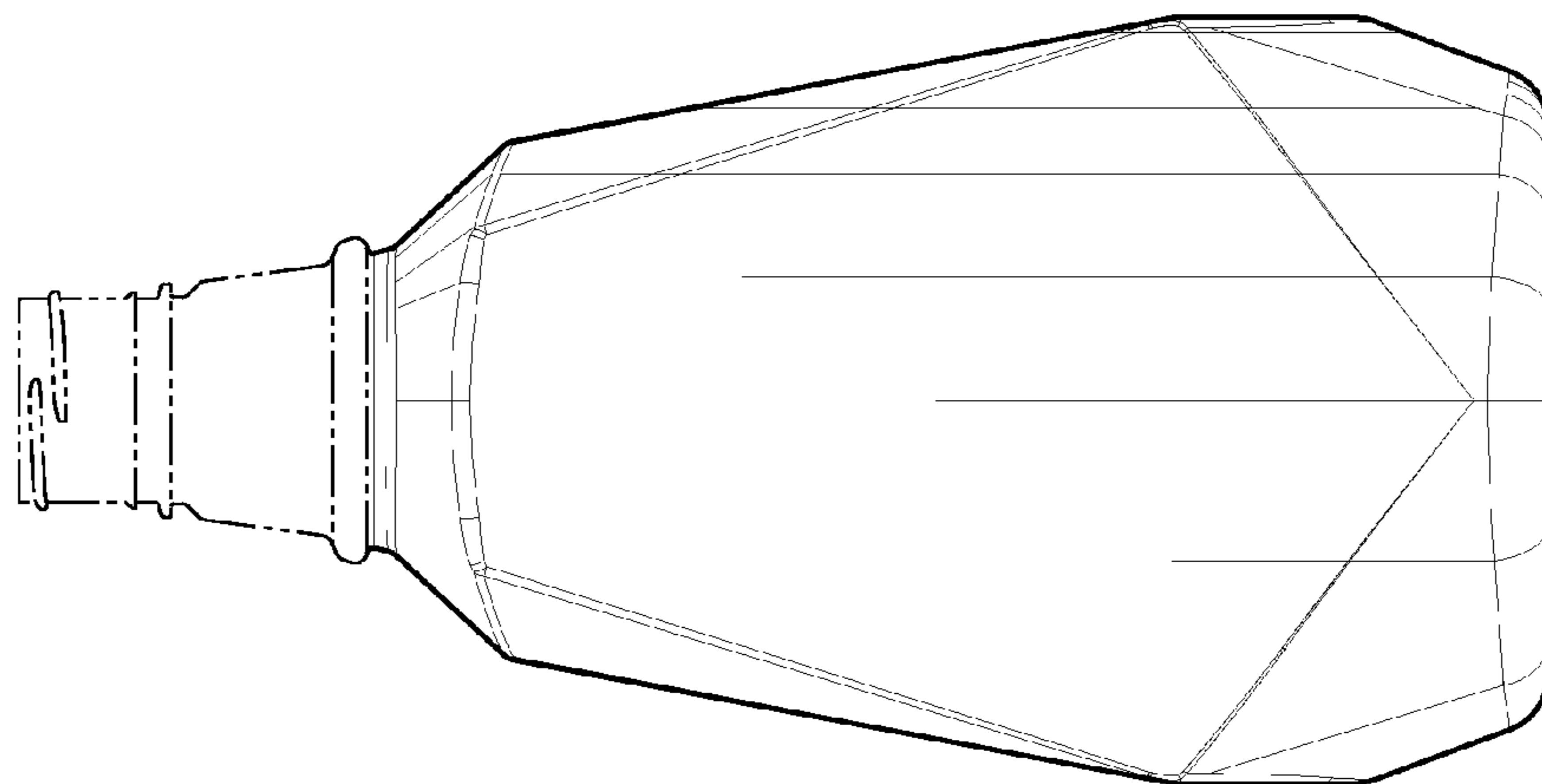


Fig. 8

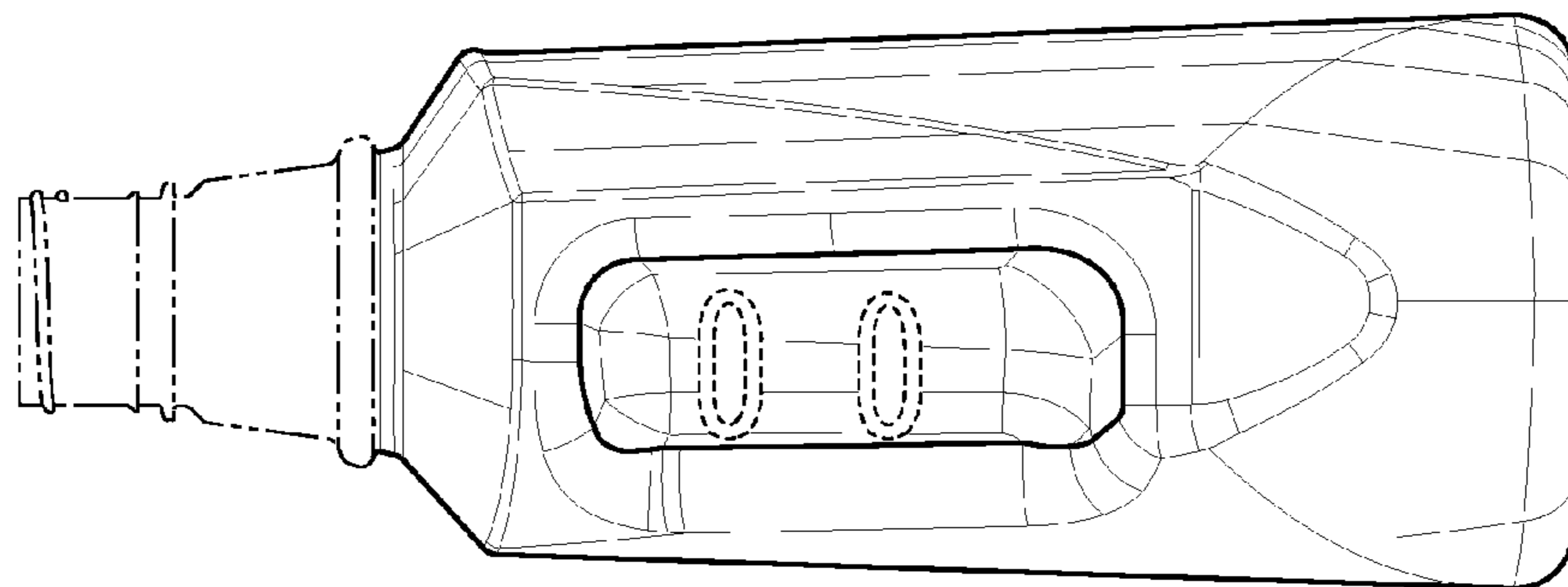


Fig. 9

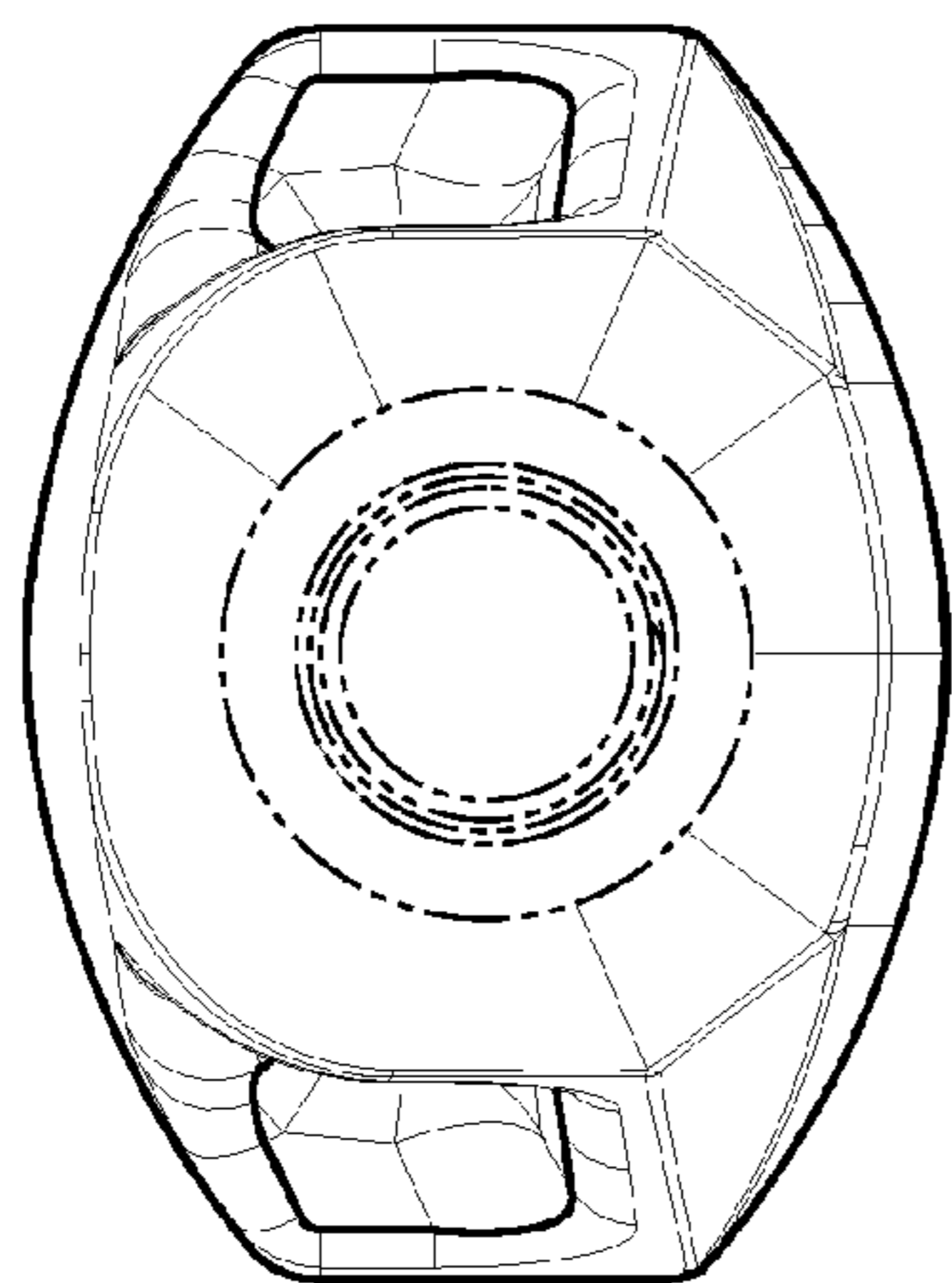


Fig. 11

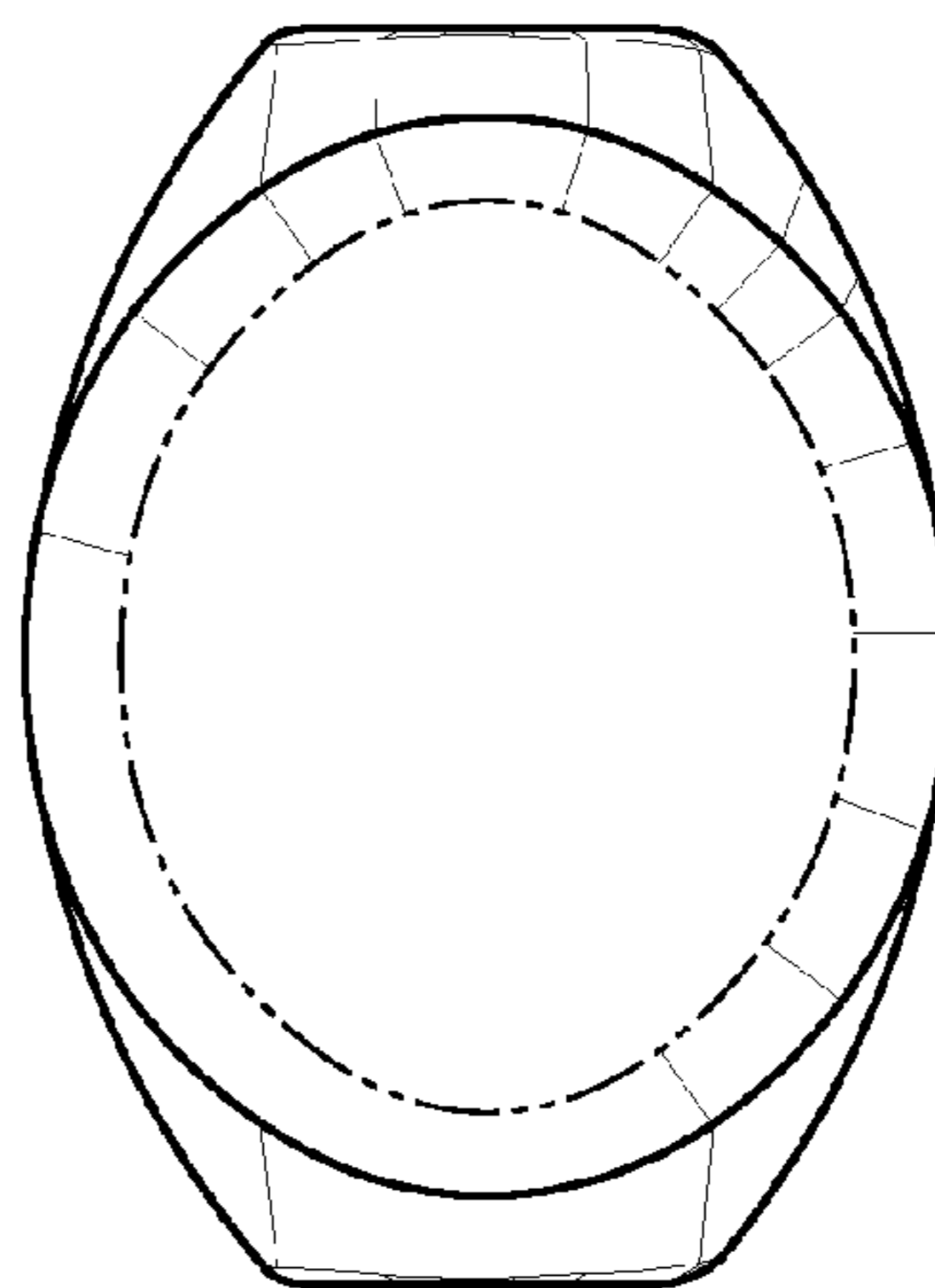


Fig. 12

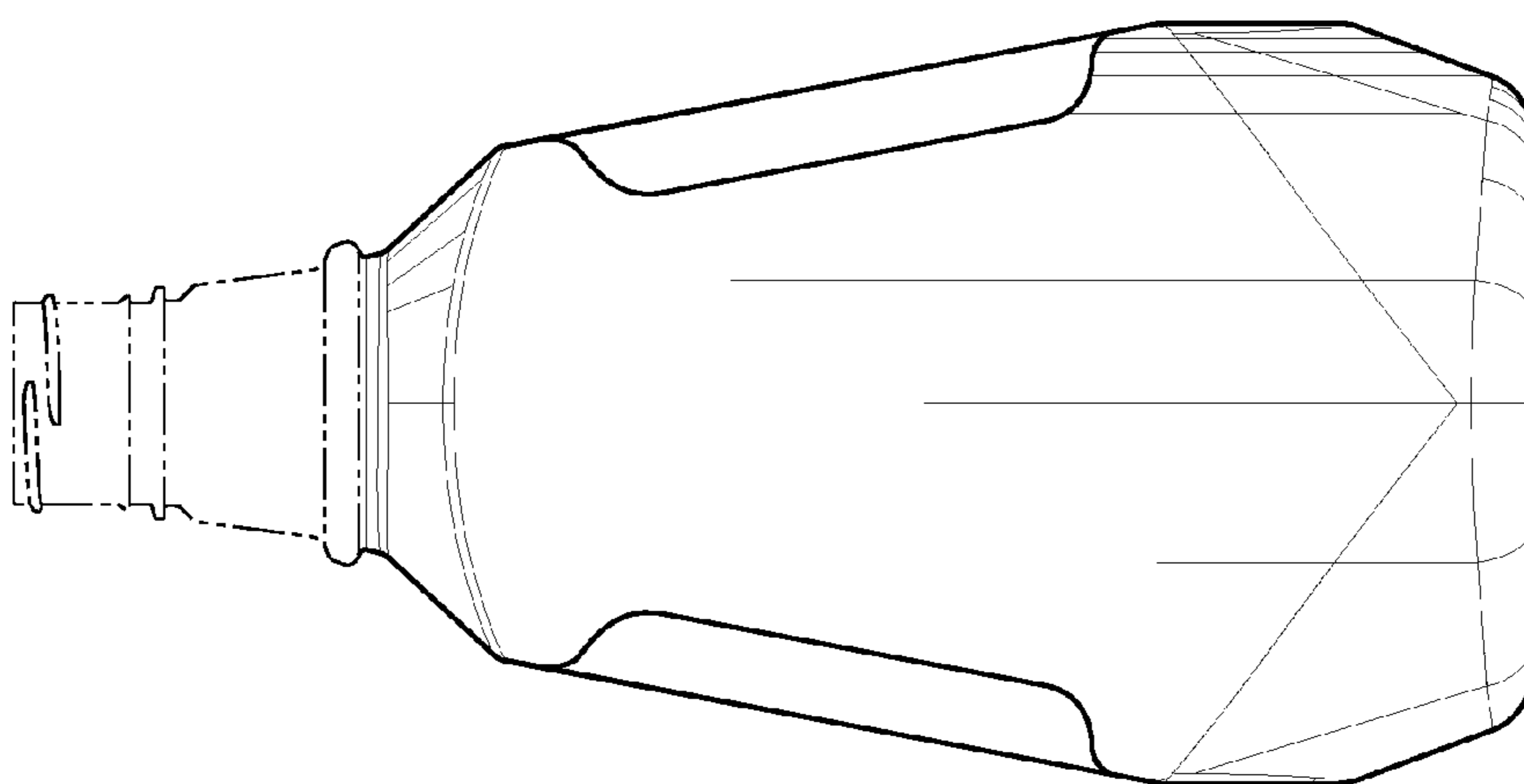


Fig. 10

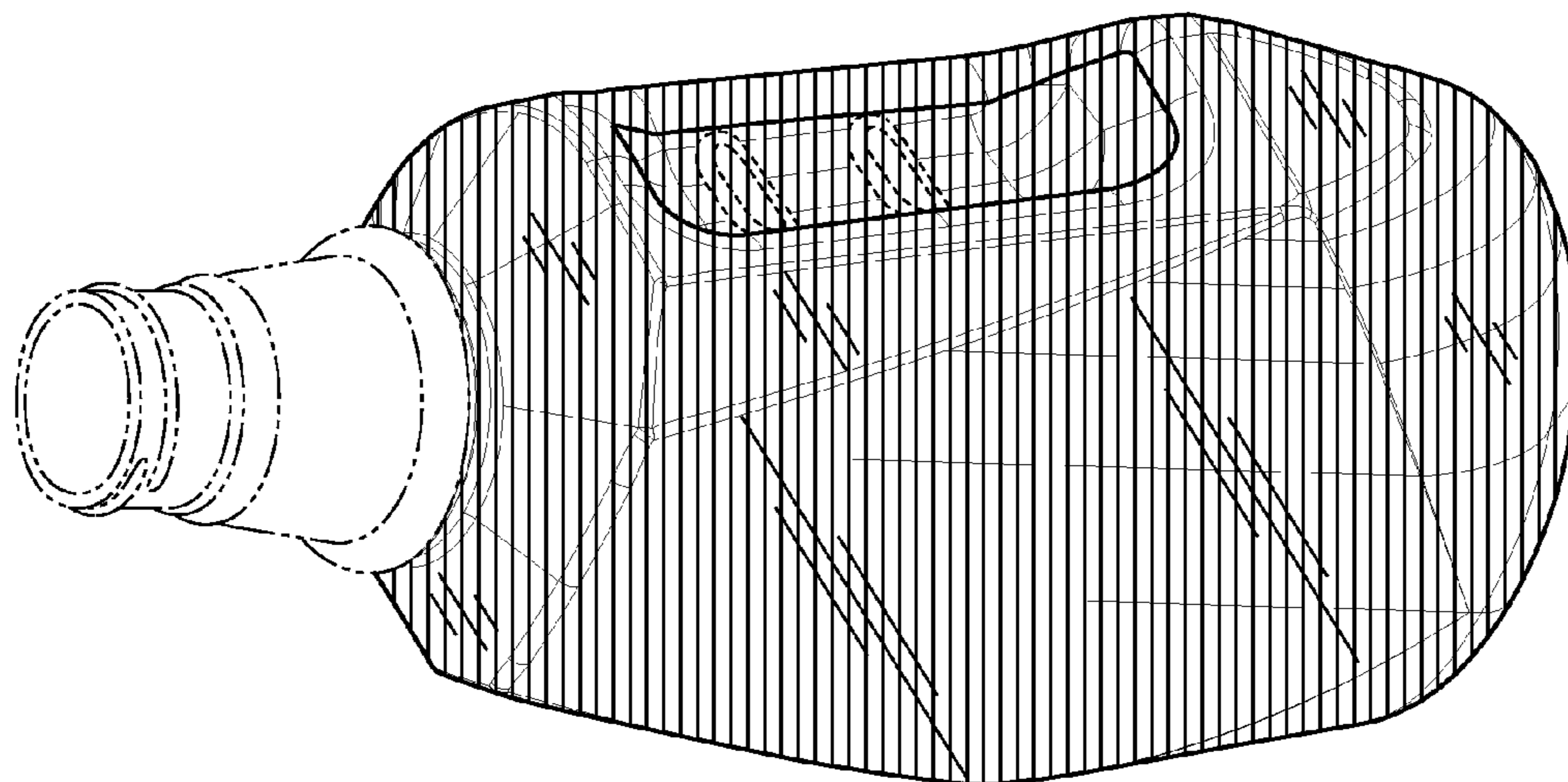


Fig. 13

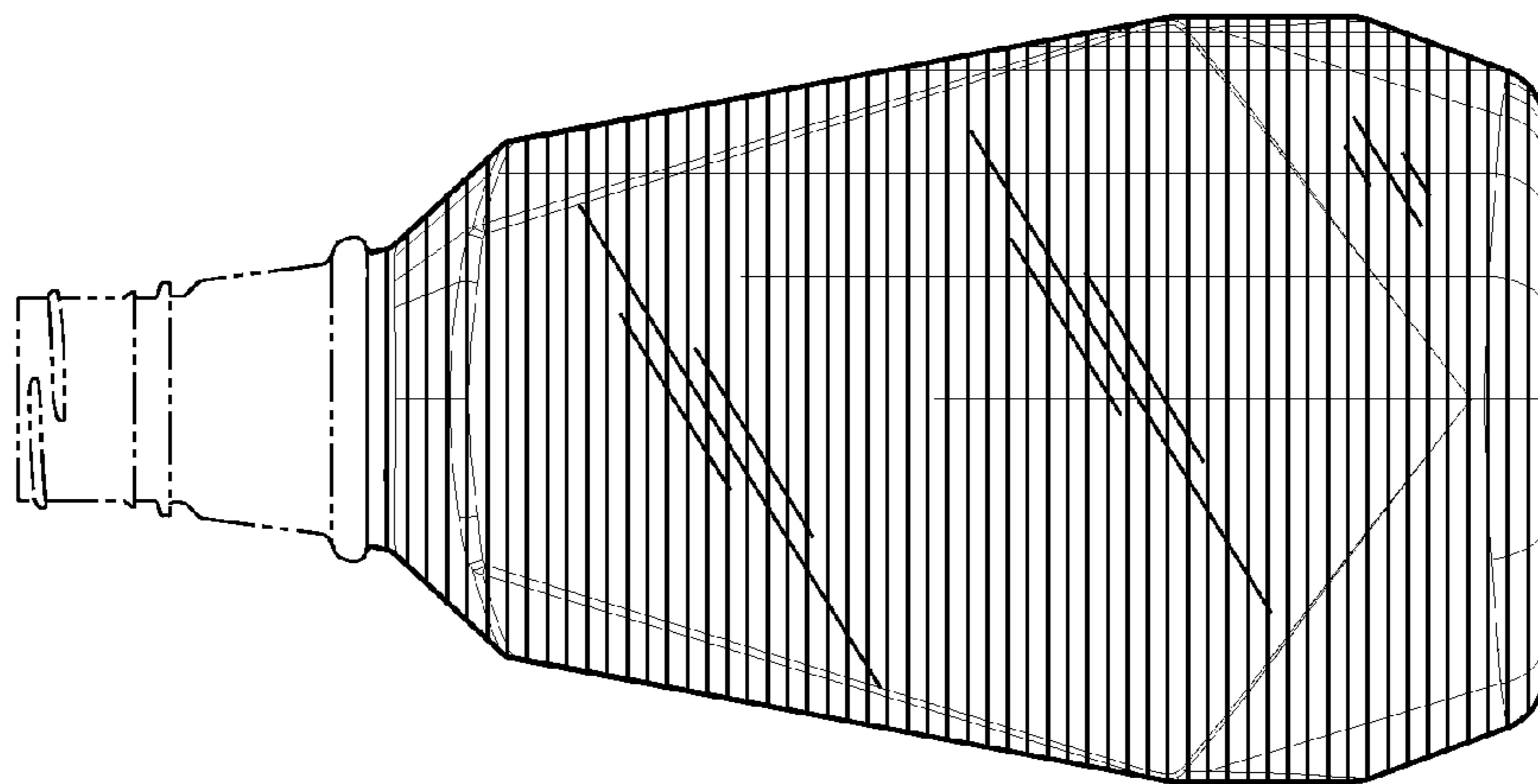


Fig. 14

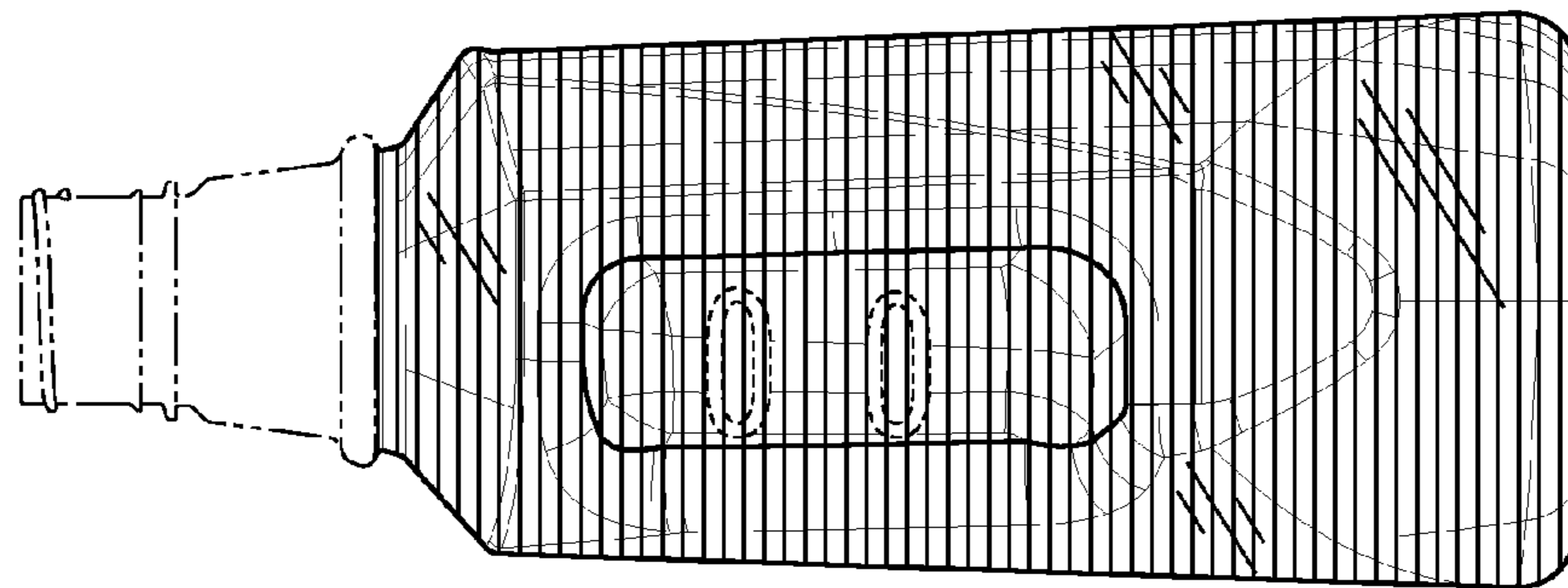


Fig. 15

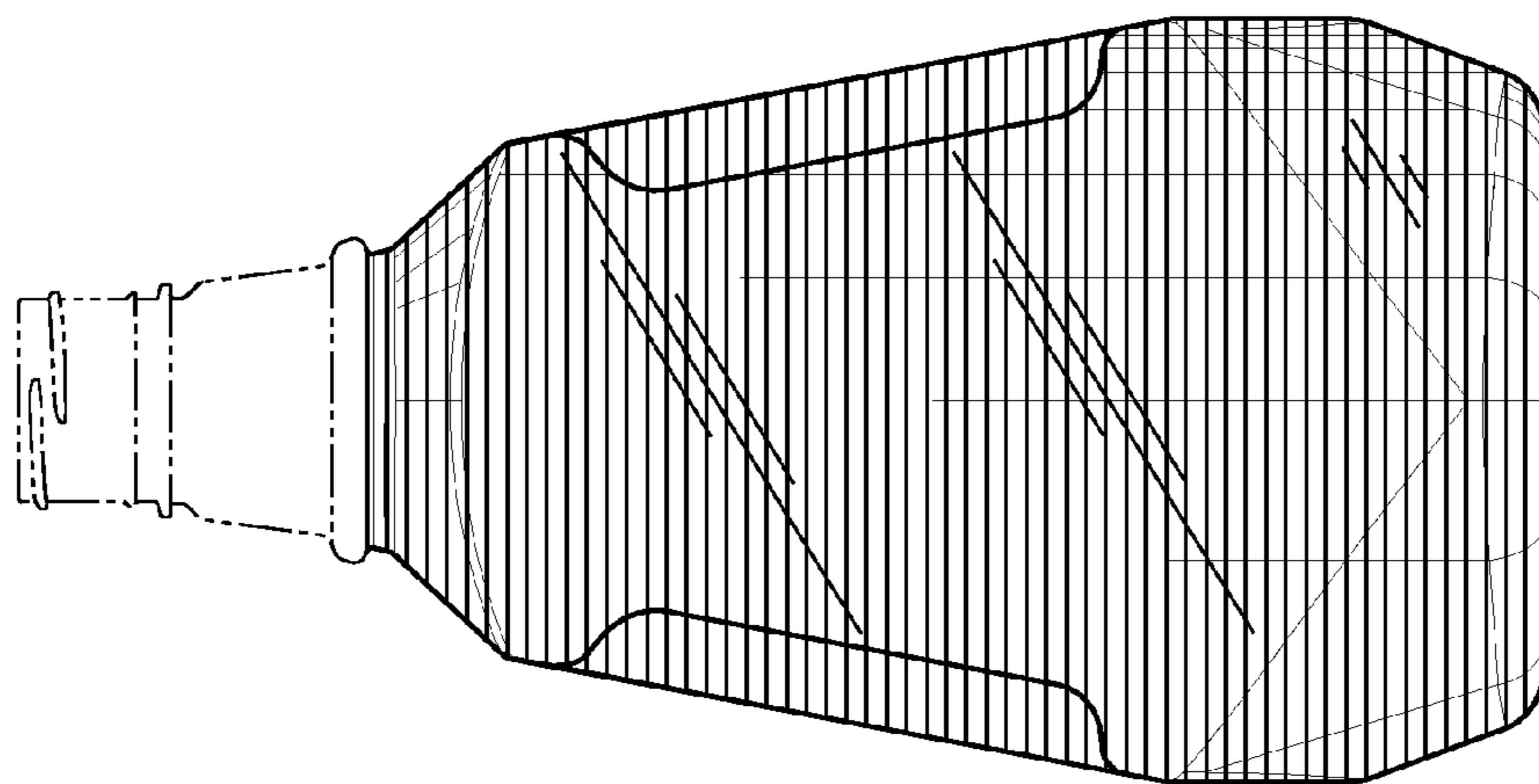


Fig. 16

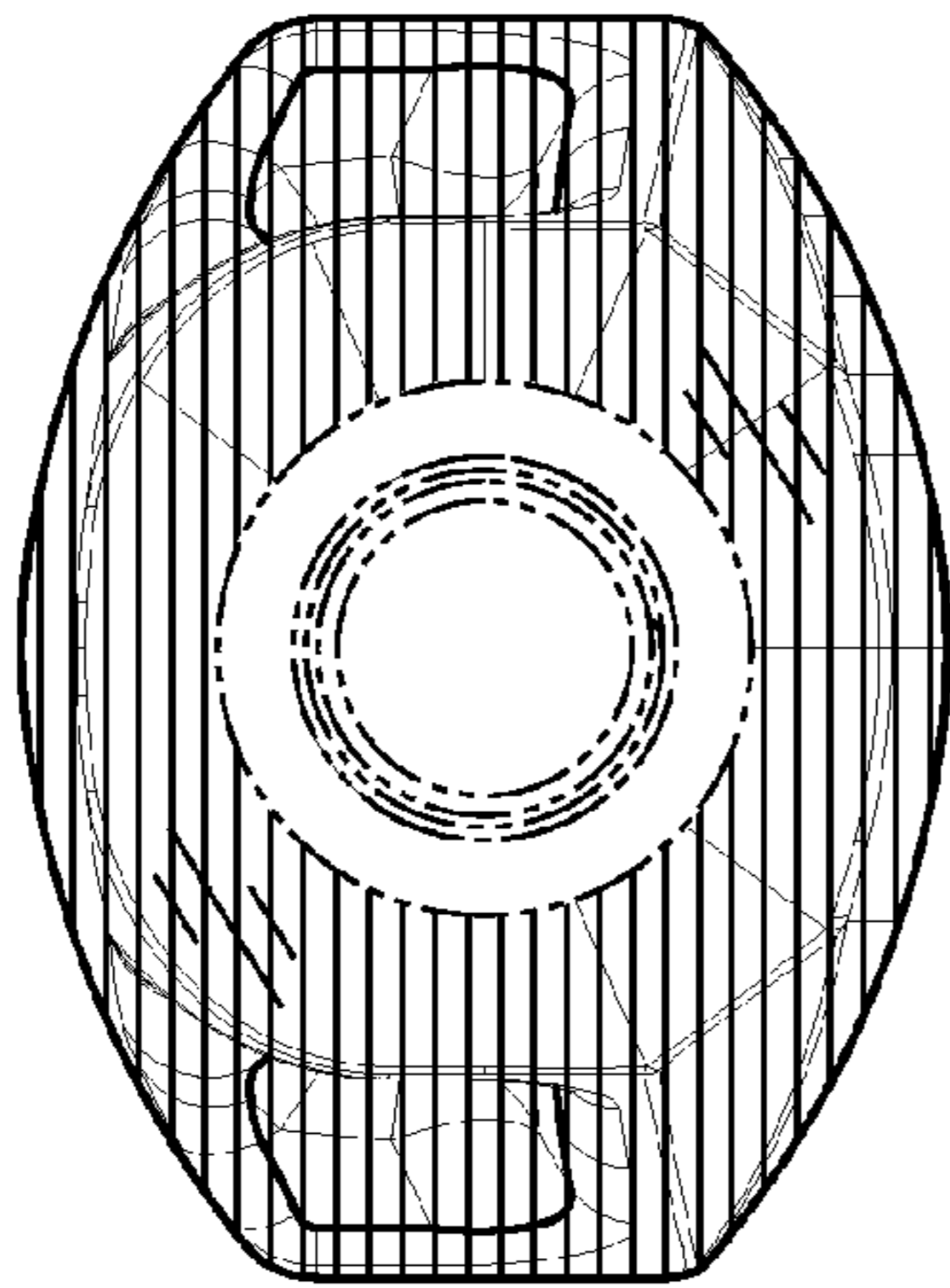


Fig. 17

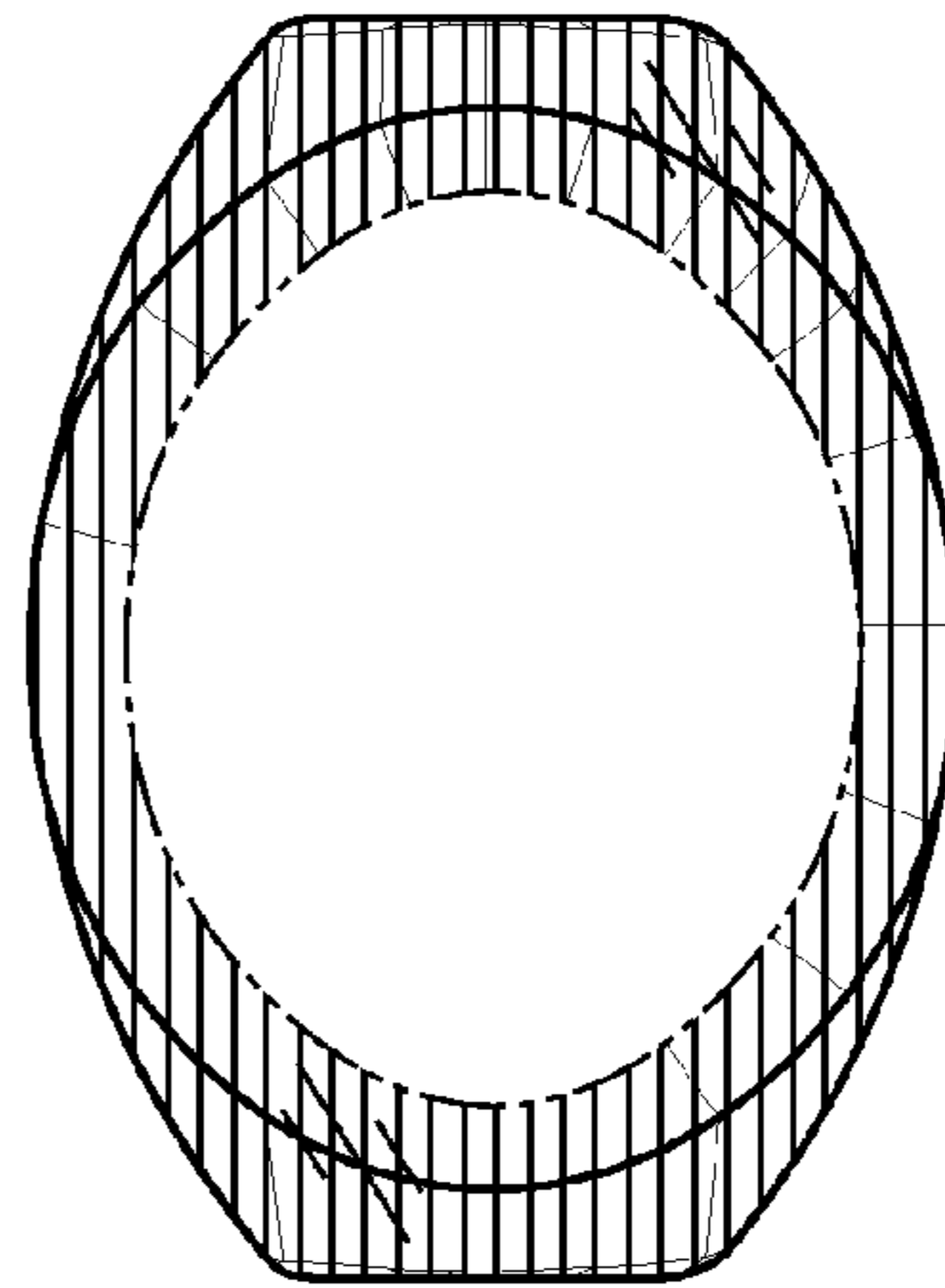


Fig. 18

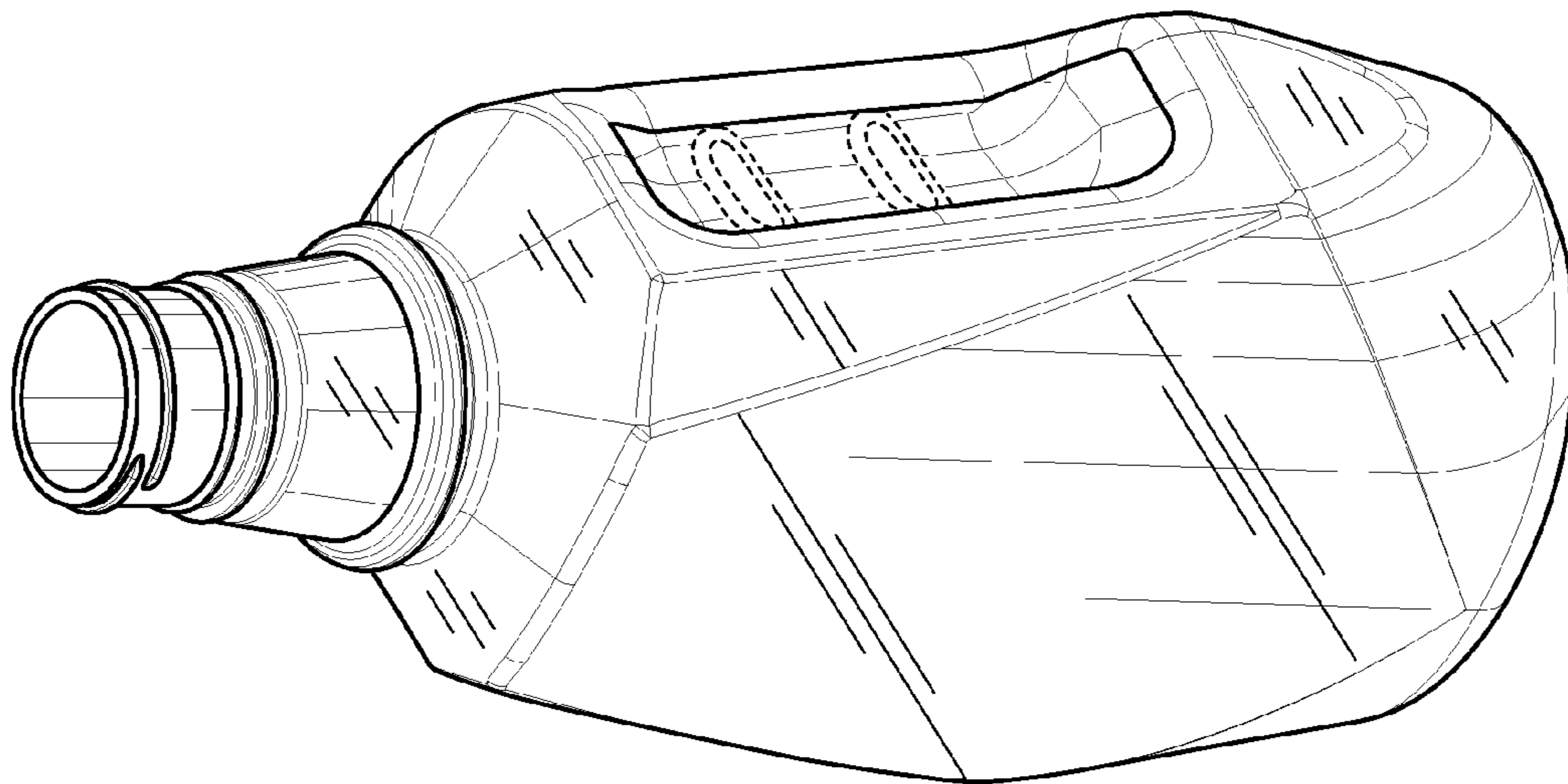


Fig. 19

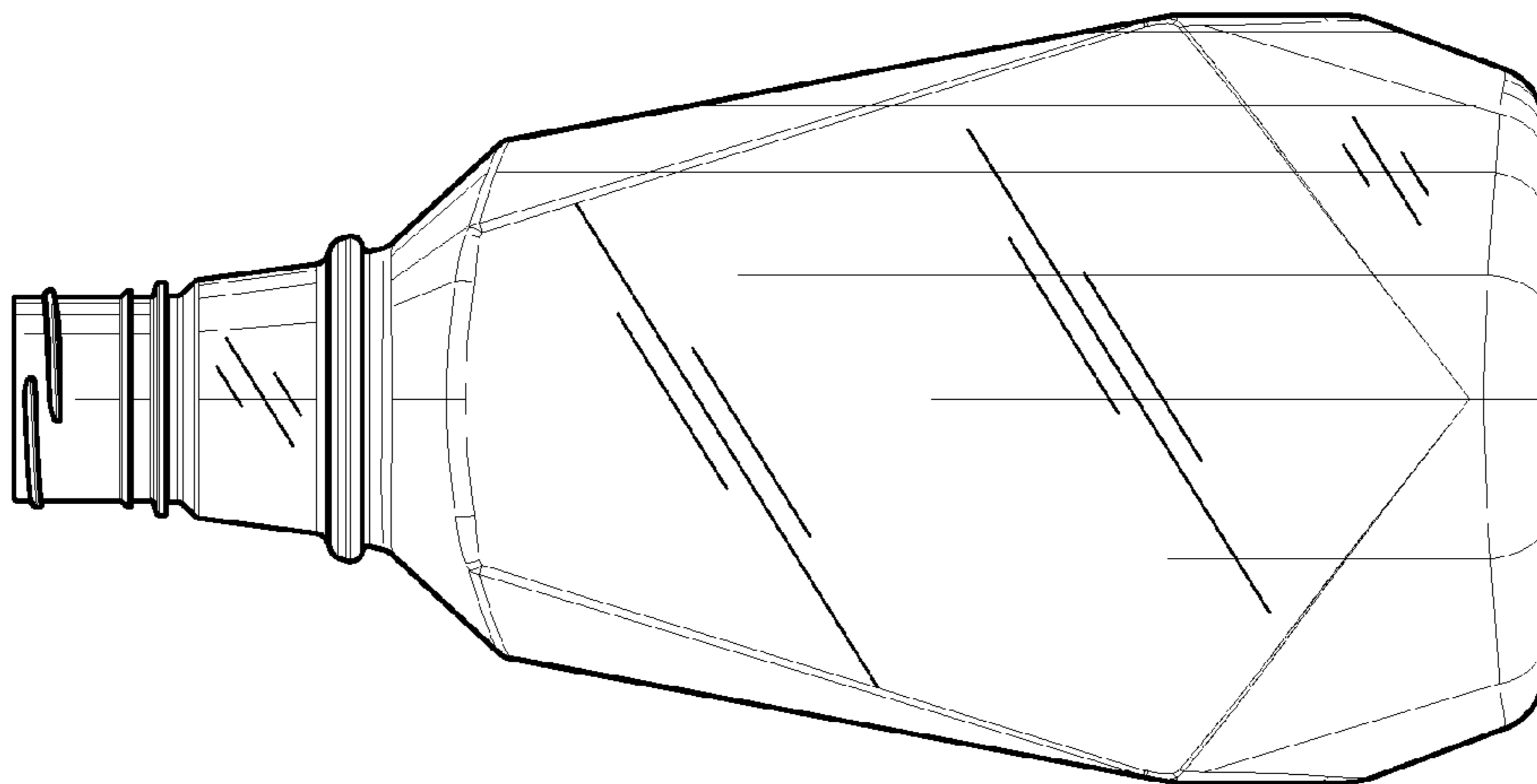


Fig. 20

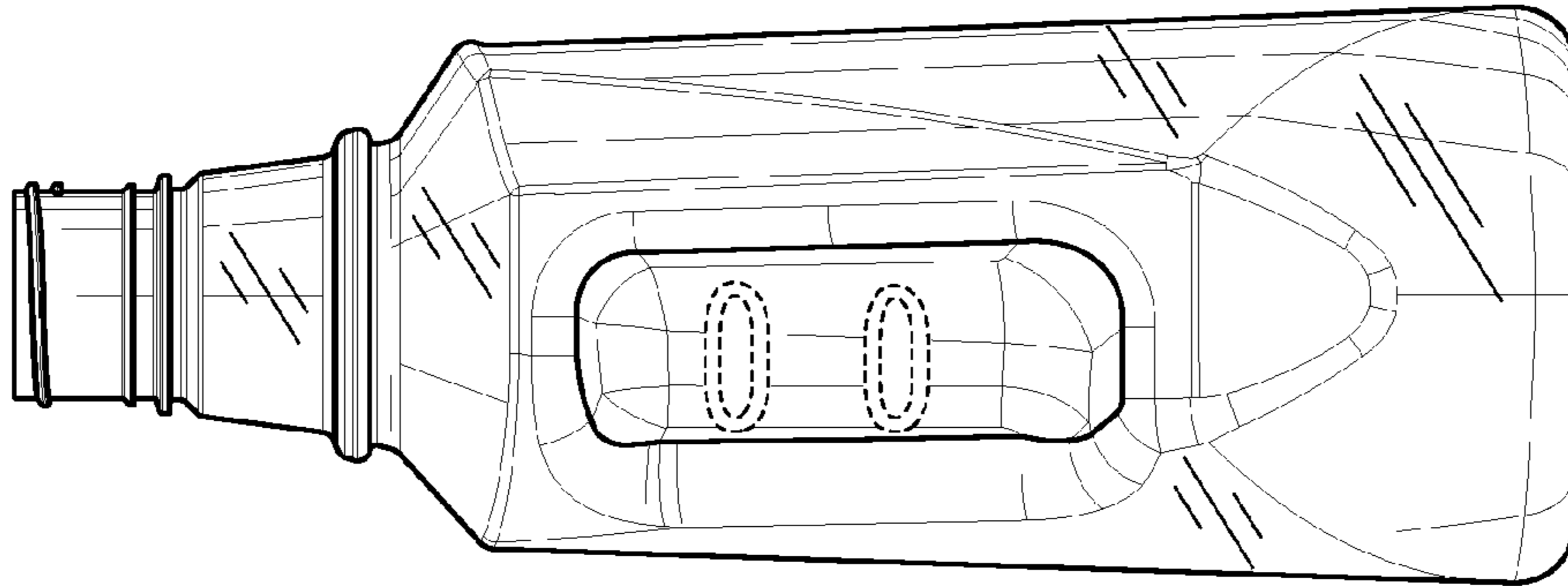


Fig. 21

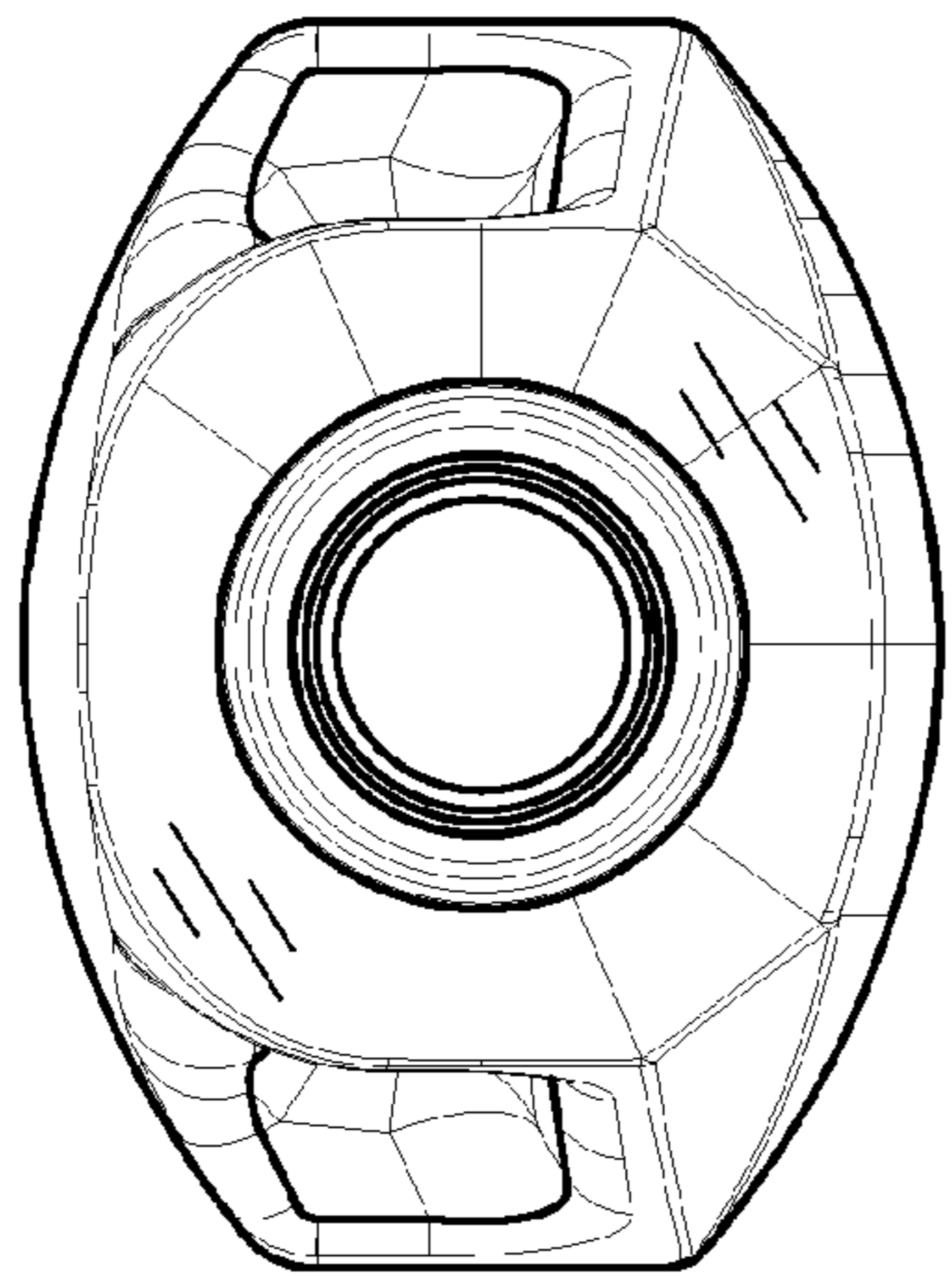


Fig. 23

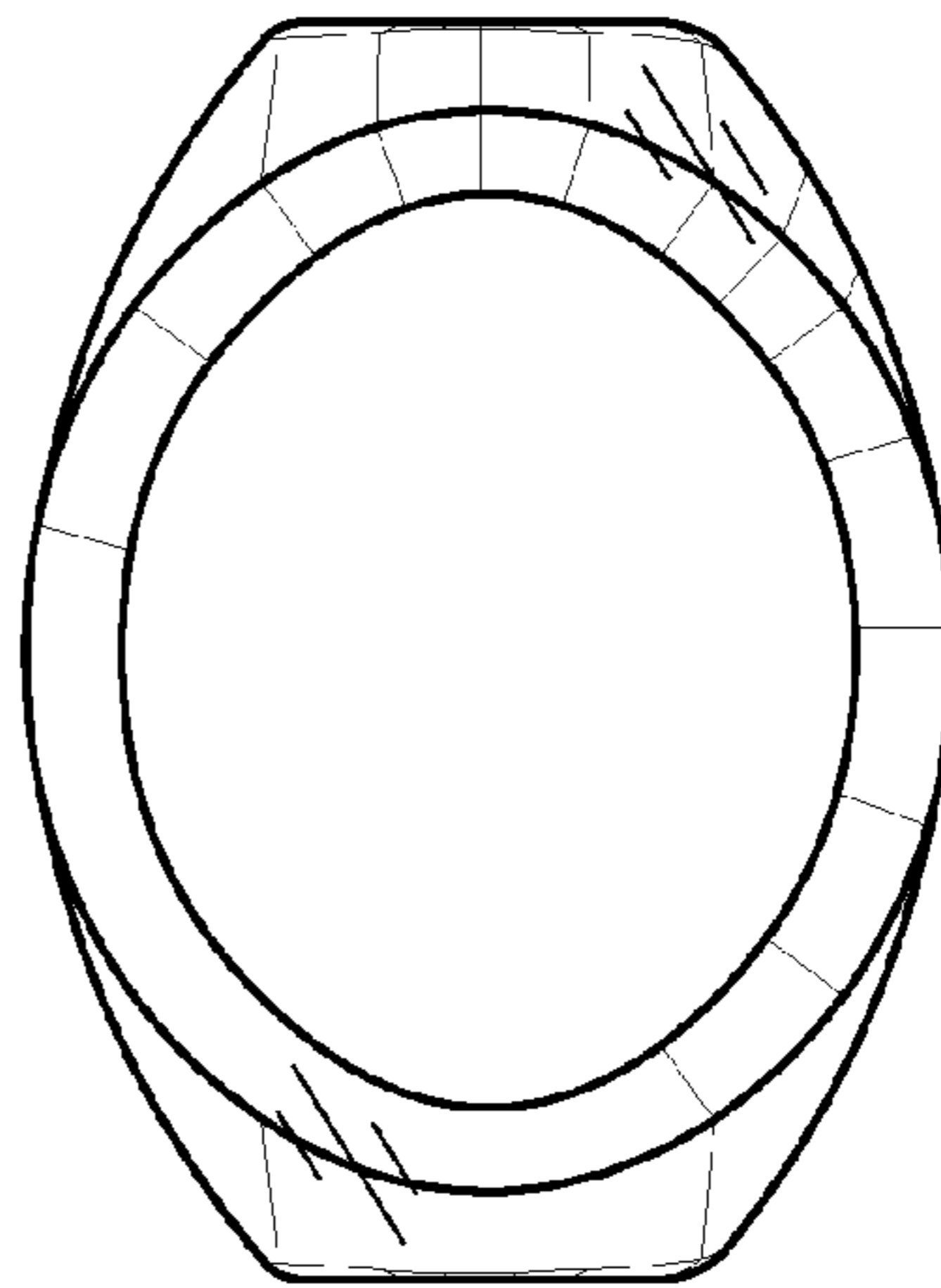


Fig. 24

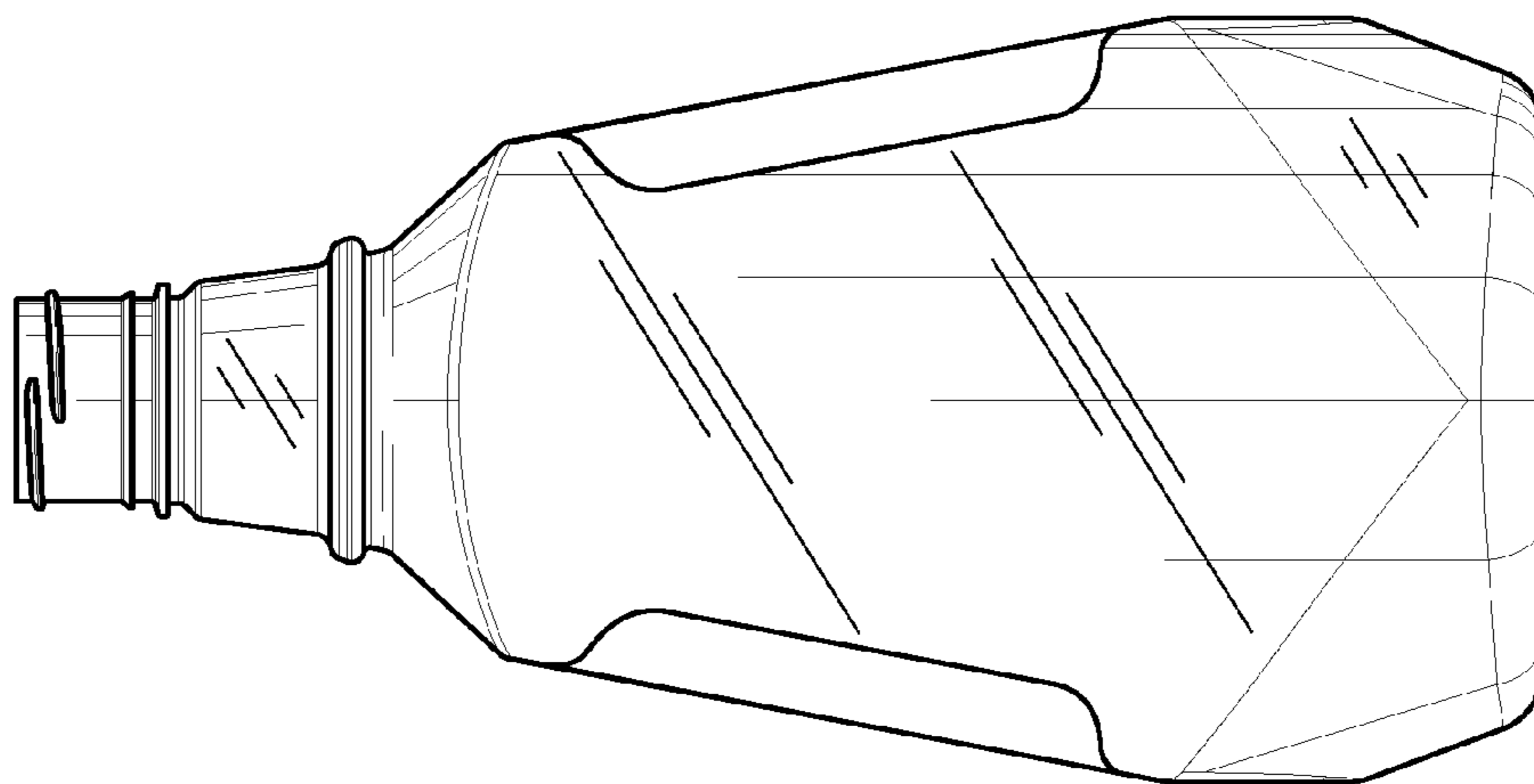


Fig. 22