



US00D591595S

(12) **United States Design Patent**
Tedford, Jr.

(10) **Patent No.:** **US D591,595 S**
(45) **Date of Patent:** **** May 5, 2009**

(54) **LID**
(75) Inventor: **Richard A. Tedford, Jr.**, Loveland, OH
(US)
(73) Assignee: **International Paper Company**,
Loveland, OH (US)
(**) Term: **14 Years**
(21) Appl. No.: **29/298,019**
(22) Filed: **Nov. 27, 2007**

6,644,490 B2 11/2003 Clarke
D485,758 S 1/2004 Clarke et al.
D516,424 S * 3/2006 Schweigert et al. D9/447
D530,602 S 10/2006 Boller et al.
D535,561 S 1/2007 Smith et al.
D536,249 S 2/2007 Smith et al.
D539,650 S 4/2007 Smith et al.
D540,167 S 4/2007 Smith et al.
D570,213 S * 6/2008 Newman D9/447
2005/0173434 A1 * 8/2005 O'Neal 220/212
2006/0071008 A1 * 4/2006 Sadlier 220/713
2006/0180028 A1 * 8/2006 Burchard 99/275
2008/0011762 A1 * 1/2008 Boone 220/713

(51) **LOC (9) Cl.** **09-07**
(52) **U.S. Cl.** **D9/447; D9/454; D9/449**
(58) **Field of Classification Search** D9/716,
D9/715, 454, 453, 452, 450, 449, 447, 446,
D9/443, 438, 436, 435, 434; D7/643, 638,
D7/505, 396.2, 392, 392.1, 305; 426/120;
229/404, 401; 222/556, 480; 220/810, 713,
220/375, 254.1-254.9; 215/236, 235; 206/807
See application file for complete search history.

FOREIGN PATENT DOCUMENTS

KR 30-0334240-1 11/2004

* cited by examiner

Primary Examiner—Susan Bennett Hattan
(74) *Attorney, Agent, or Firm*—Thomas W. Ryan, III

(57) **CLAIM**

The ornamental design for a lid, substantially as shown and described.

(56) **References Cited**

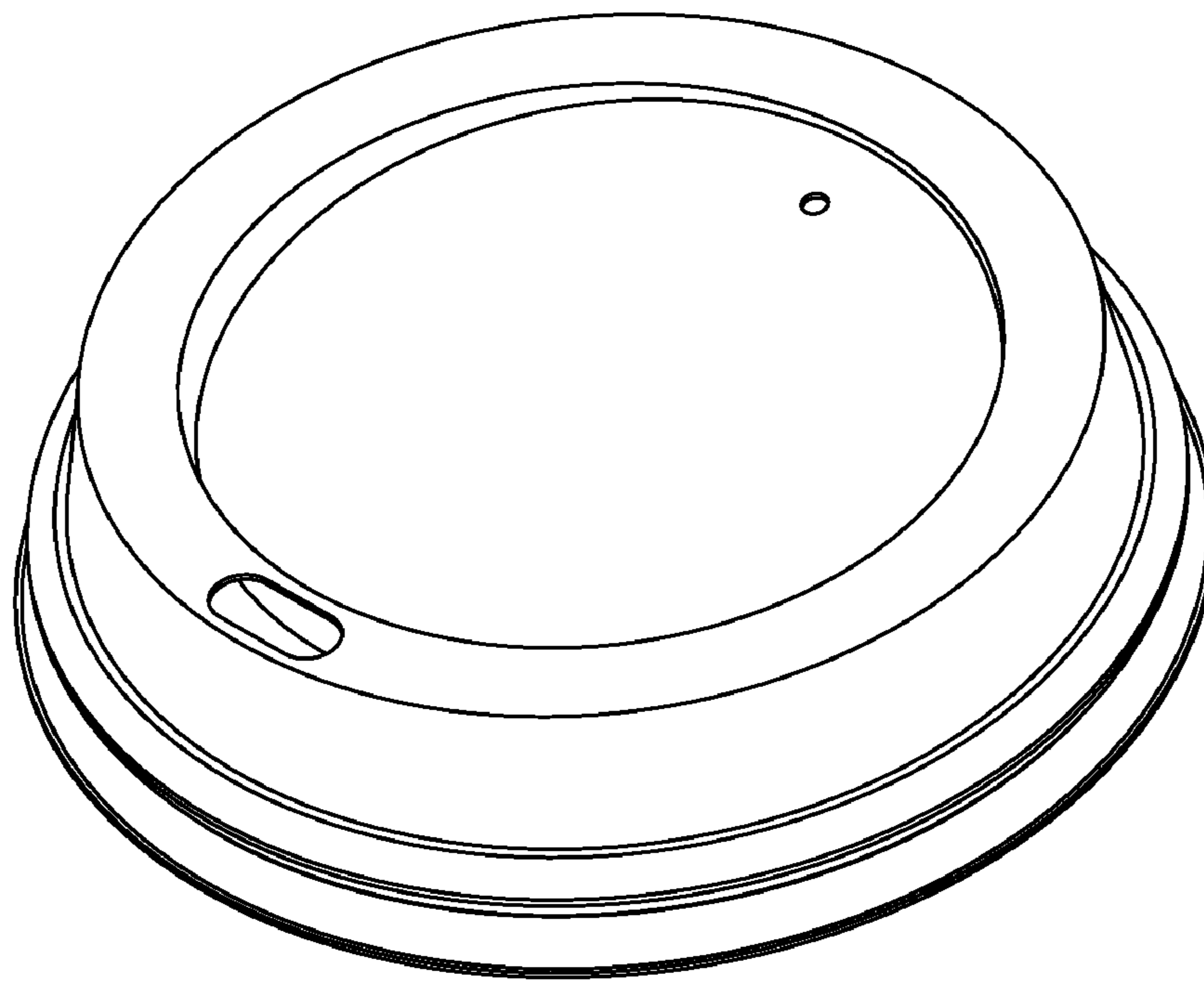
U.S. PATENT DOCUMENTS

D212,843 S * 12/1968 Hart et al. D9/452
RE28,797 E 5/1976 Brewer
4,589,569 A 5/1986 Clements
D287,919 S 1/1987 Clements
D402,556 S * 12/1998 Frye D9/447
D417,845 S * 12/1999 Sadlier et al. D9/447
D437,223 S * 2/2001 Coy et al. D9/447
D476,891 S 7/2003 Clarke et al.
D477,223 S * 7/2003 Smith et al. D9/447
D478,006 S * 8/2003 Smith et al. D9/447

DESCRIPTION

FIG. 1 is a perspective view of a lid according to the invention;
FIG. 2 is top plan view of a lid according to the invention;
FIG. 3 is a cross-sectional view thereof, taken in the direction
of line 3—3 on FIG. 1; and,
FIG. 4 is a bottom plan view of a lid according to the inven-
tion.

1 Claim, 2 Drawing Sheets



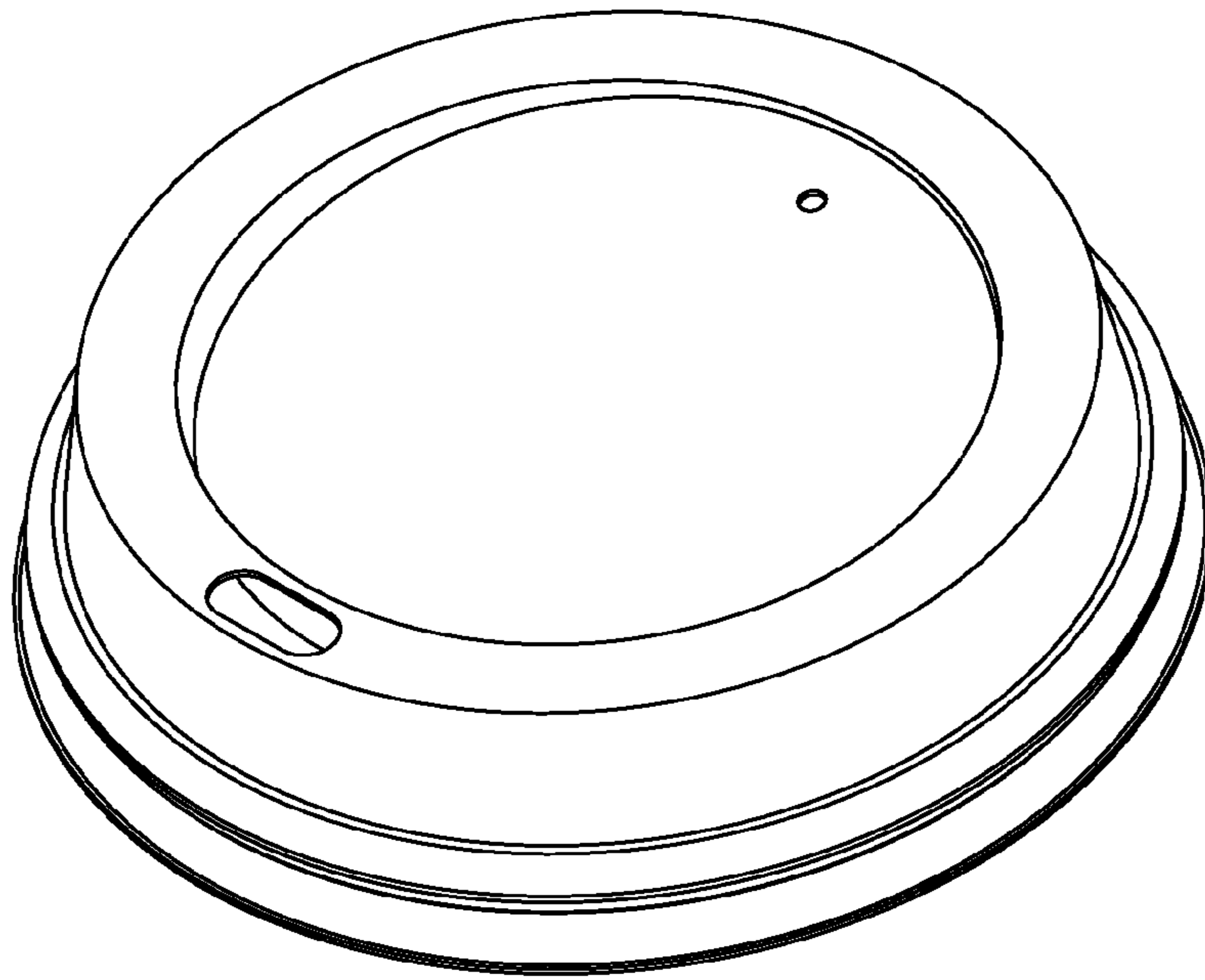


FIG. 1

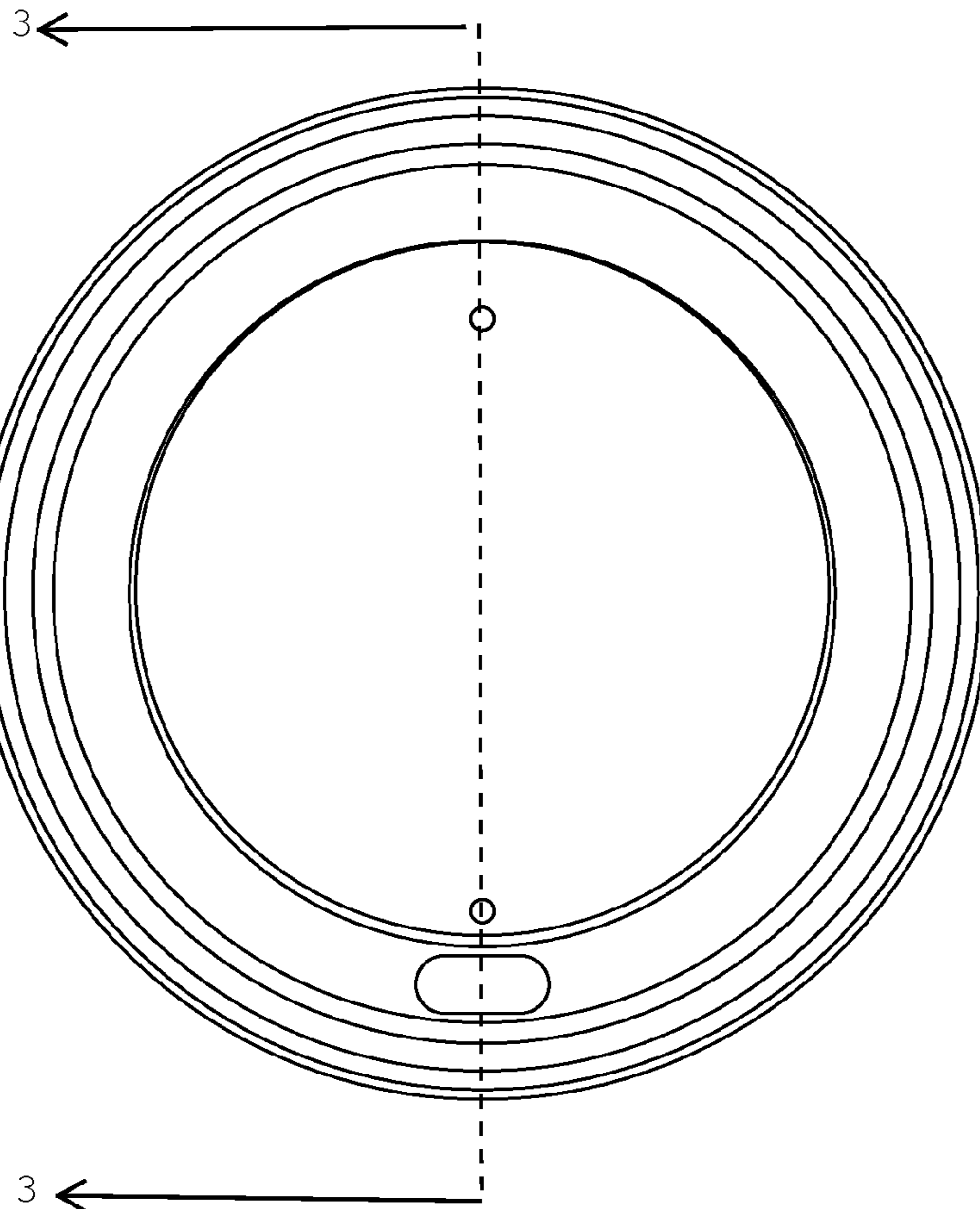


FIG. 2

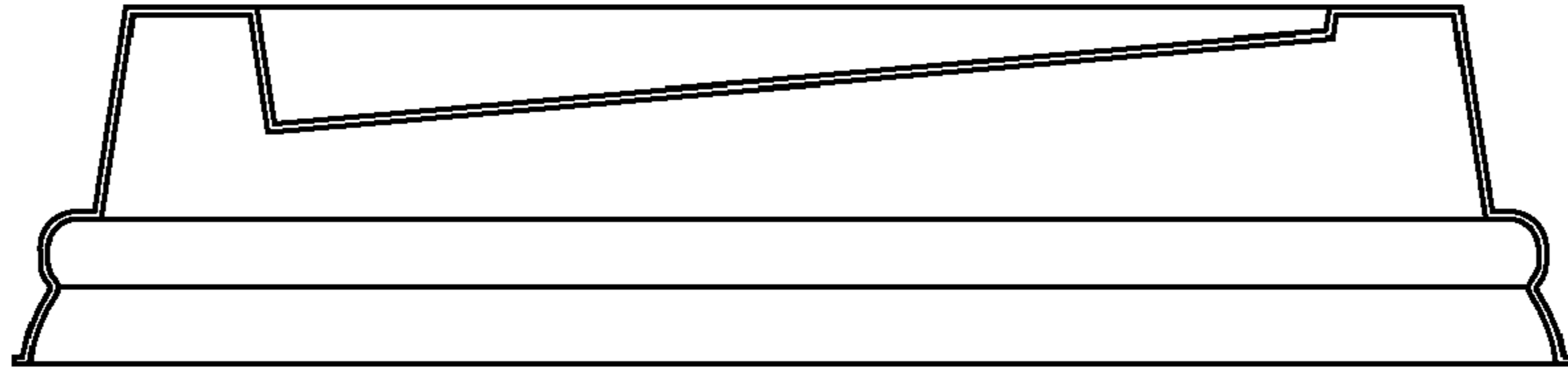


FIG. 3

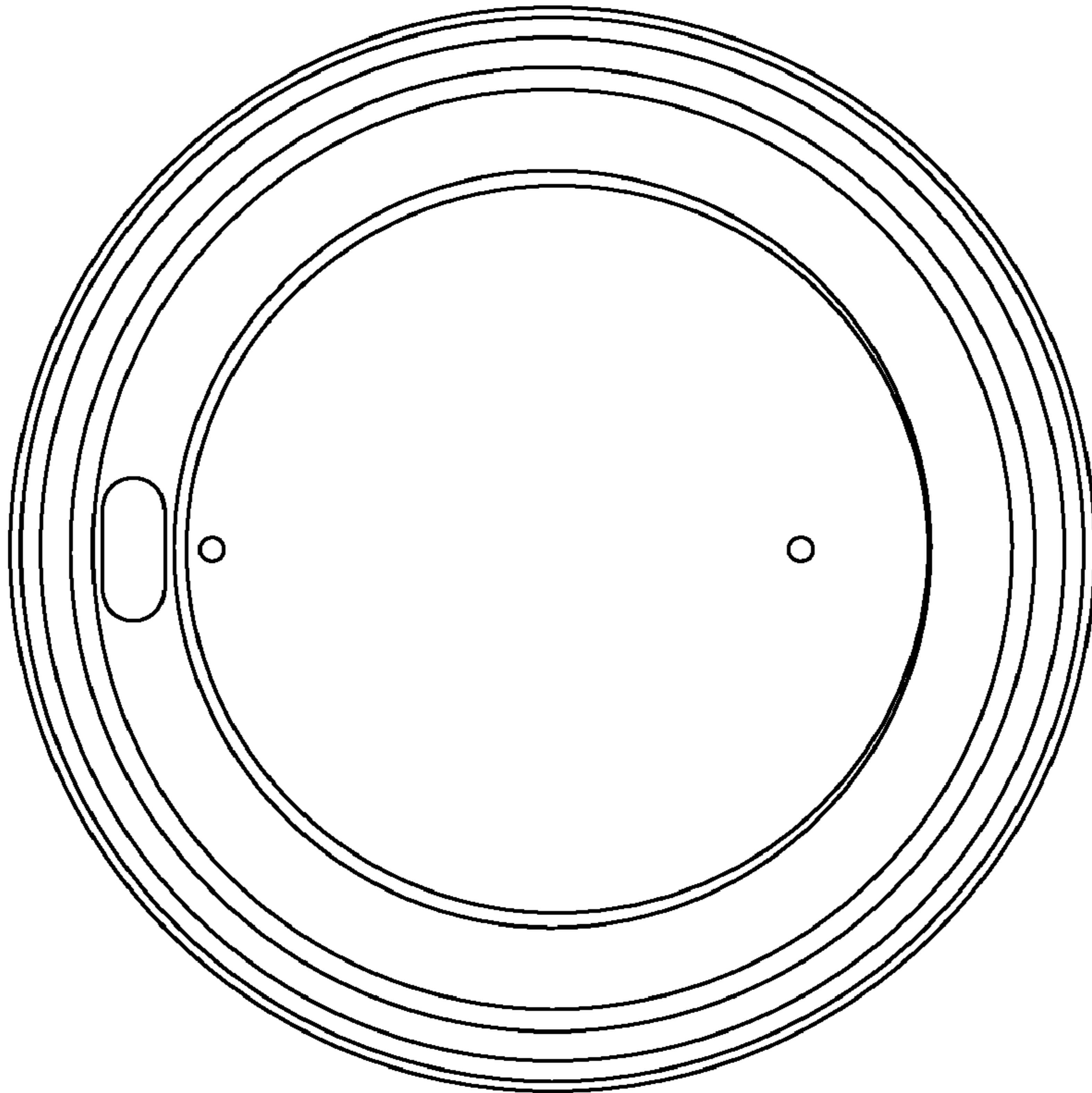


FIG. 4