



US00D591593S

(12) **United States Design Patent**
Stannard et al.

(10) **Patent No.:** **US D591,593 S**
(45) **Date of Patent:** **** May 5, 2009**

(54) **BOX FOR PACKAGING AND DISPLAY**

(76) Inventors: **Roberta Anne Stannard**, 134 Old Washington St., Hanover, MA (US) 02339; **Jan G. Stannard**, 134 Old Washington Rd., Hanover, MA (US) 02339

(**) Term: **14 Years**

(21) Appl. No.: **29/301,395**

(22) Filed: **Feb. 28, 2008**

(51) **LOC (9) Cl.** **09-03**

(52) **U.S. Cl.** **D9/433**

(58) **Field of Classification Search** D9/430-433, D9/414, 417, 420-423, 759; 206/45.21, 206/45.29, 476, 525.1, 526, 750, 763, 774, 206/784, 308.1, 308.3; 229/100, 101, 103.3, 229/117, 117.01, 117.03-117.08, 120.02, 229/120.08, 120.13-120.18, 120.31, 120.37, 229/125.09, 125.15, 125.29, 126, 138, 155, 229/170, 221, 222, 247, 902, 904, 917, 933-937, 229/942, 145, 212

See application file for complete search history.

(56) **References Cited**

U.S. PATENT DOCUMENTS

390,307	A *	10/1888	Munson	229/120.17
1,787,498	A *	1/1931	Tinsley	206/521
1,895,778	A *	1/1933	Andrews	229/125.08
2,148,048	A *	2/1939	Gray	229/120.01
2,220,076	A *	11/1940	Carruth	229/179
2,283,950	A *	5/1942	Ringler	229/170
2,444,709	A *	7/1948	Mulnix	229/155
2,714,343	A *	8/1955	Baker	493/140
2,741,362	A *	4/1956	Cortright	206/453
2,790,589	A *	4/1957	Moore	229/125.125
3,062,429	A *	11/1962	Liman et al.	229/100
3,144,979	A *	8/1964	Young	206/521
3,211,359	A *	10/1965	Fickes	206/424
3,215,332	A *	11/1965	Bess	229/240

3,250,455	A *	5/1966	Plunkett	206/424
3,253,770	A *	5/1966	Black	206/424
3,347,445	A *	10/1967	Wood	206/45.3
3,378,186	A *	4/1968	Thompson	229/125.08
3,469,761	A *	9/1969	Howell	229/125.19
3,499,597	A *	3/1970	Katzman	206/525
3,516,593	A *	6/1970	Larsen	206/424
D229,037	S *	11/1973	Funahashi	D9/432
D229,673	S *	12/1973	Danjczek	D9/759
3,785,254	A *	1/1974	Mann	493/148
3,837,561	A *	9/1974	Rubin	229/116.5
3,896,988	A *	7/1975	Mayled	229/144
3,981,431	A *	9/1976	Matsuyama	229/145
D247,952	S *	5/1978	Donaldson	D9/432

(Continued)

Primary Examiner—T. Chase Nelson
Assistant Examiner—Karen Acker

(57) **CLAIM**

The ornamental design for the box for packaging and display, as shown and described.

DESCRIPTION

FIG. 1 is a top view of the bottom tray section shown unfolded of box for packaging and display;

FIG. 2 is a perspective view of the bottom tray section shown folded of box for packaging and display;

FIG. 3 is a top view of the insert tray section shown unfolded of box for packaging and display;

FIG. 4 is a perspective view of the insert tray section shown folded of box for packaging and display;

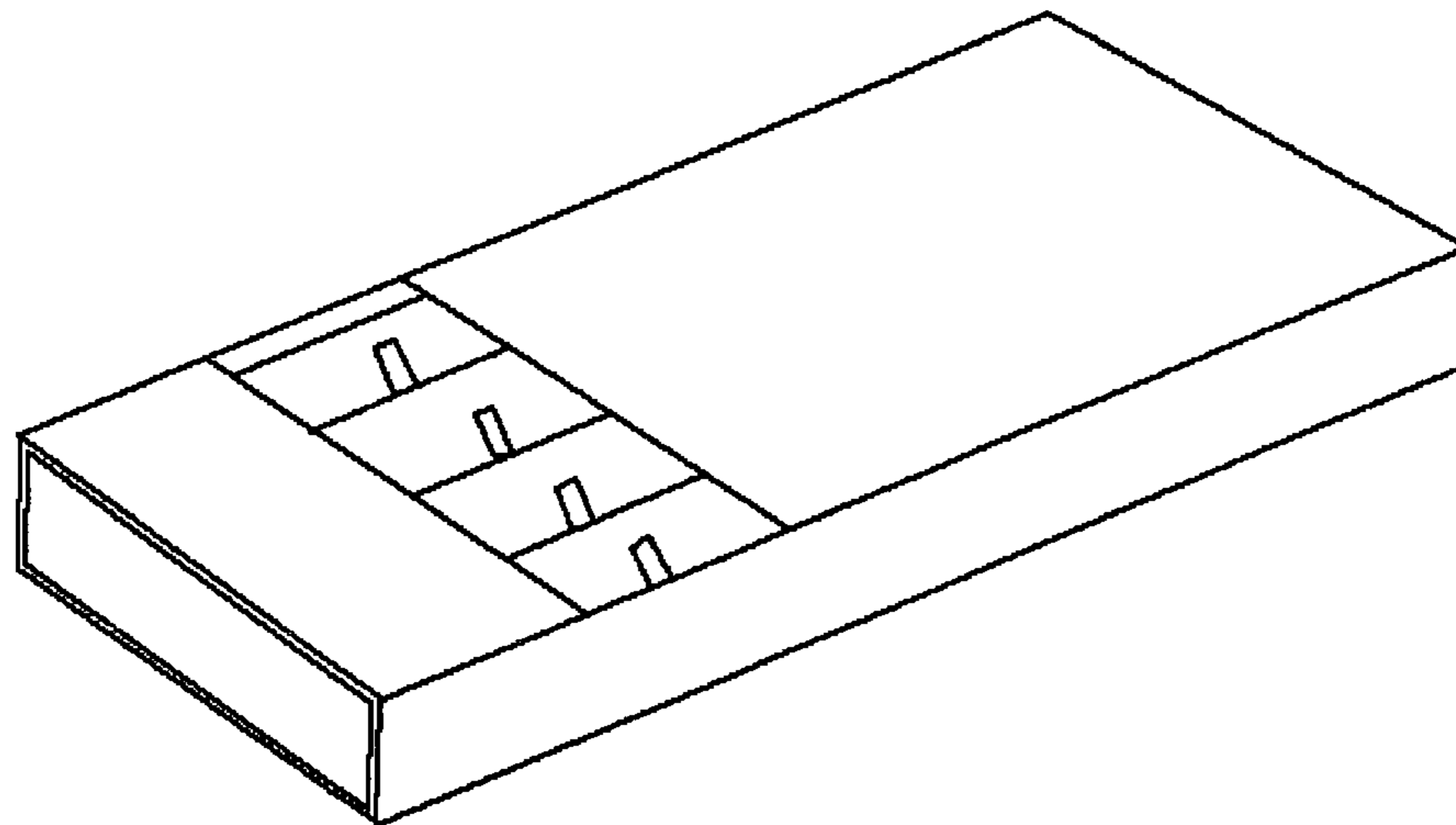
FIG. 5 is a top view of the cover sleeve section shown unfolded of box for packaging and display;

FIG. 6 is a perspective view of the cover sleeve section shown folded of box for packaging and display;

FIG. 7 is an exploded view of the three sections of box for packaging and display in position for assembly; and,

FIG. 8 is a perspective view of box for packaging and display.

1 Claim, 4 Drawing Sheets



US D591,593 S

Page 2

U.S. PATENT DOCUMENTS

D248,451 S *	7/1978	Freed et al.	D9/759	6,386,439 B2 *	5/2002	Le Bras	229/119
D255,780 S *	7/1980	Kuplis	D9/433	D484,048 S *	12/2003	Biddlecom	D9/433
D308,827 S *	6/1990	Strom et al.	D9/433	D490,705 S *	6/2004	Olsson	D9/432
D372,670 S *	8/1996	Healey	D9/422	D513,982 S *	1/2006	Wenrick	D9/433
D439,157 S *	3/2001	Tsuruishi et al.	D9/759	7,080,772 B2 *	7/2006	Lebras	229/122.27
				D553,495 S *	10/2007	Vandecasteele et al.	D9/432

* cited by examiner

FIG 1

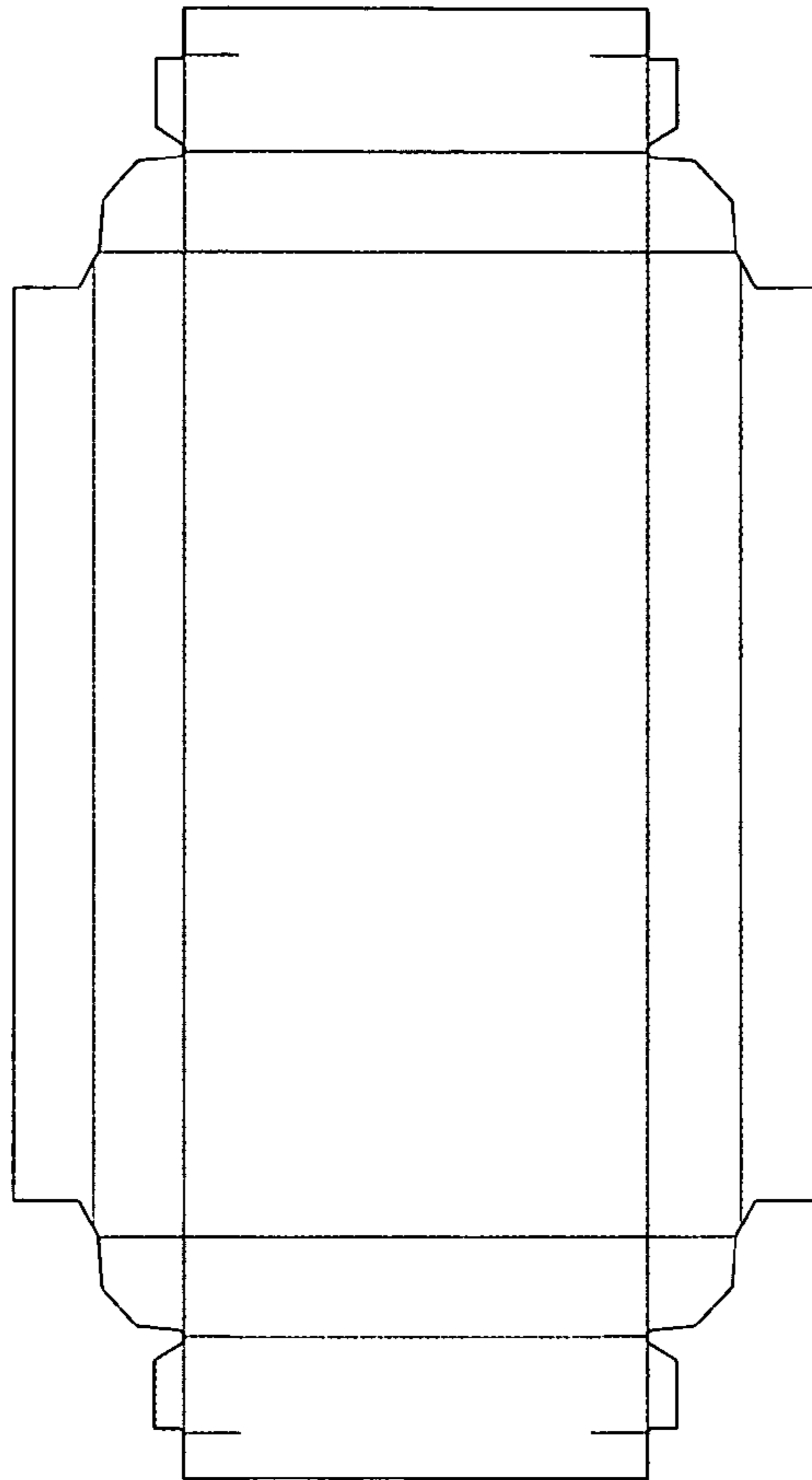


FIG 2

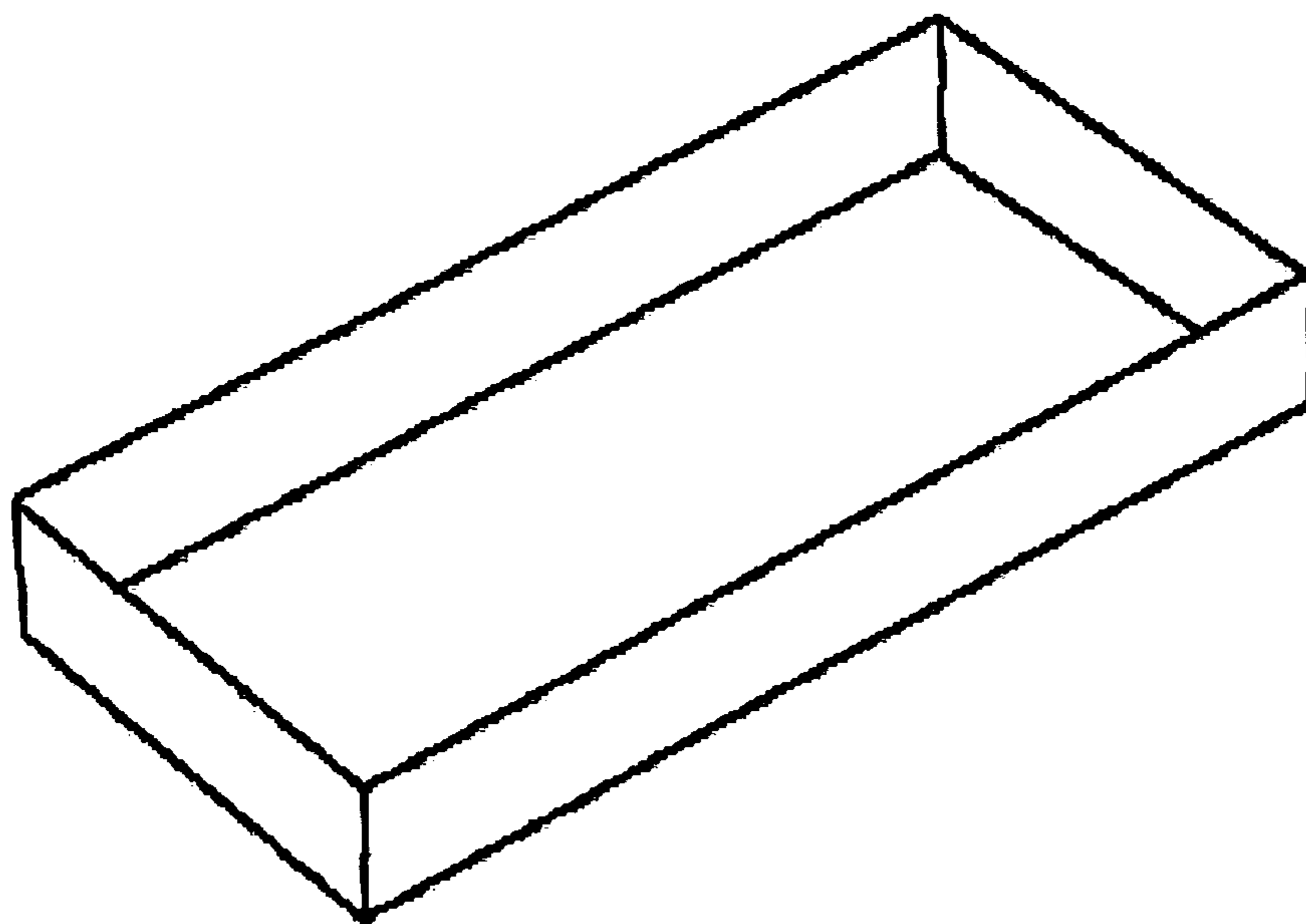


FIG 3

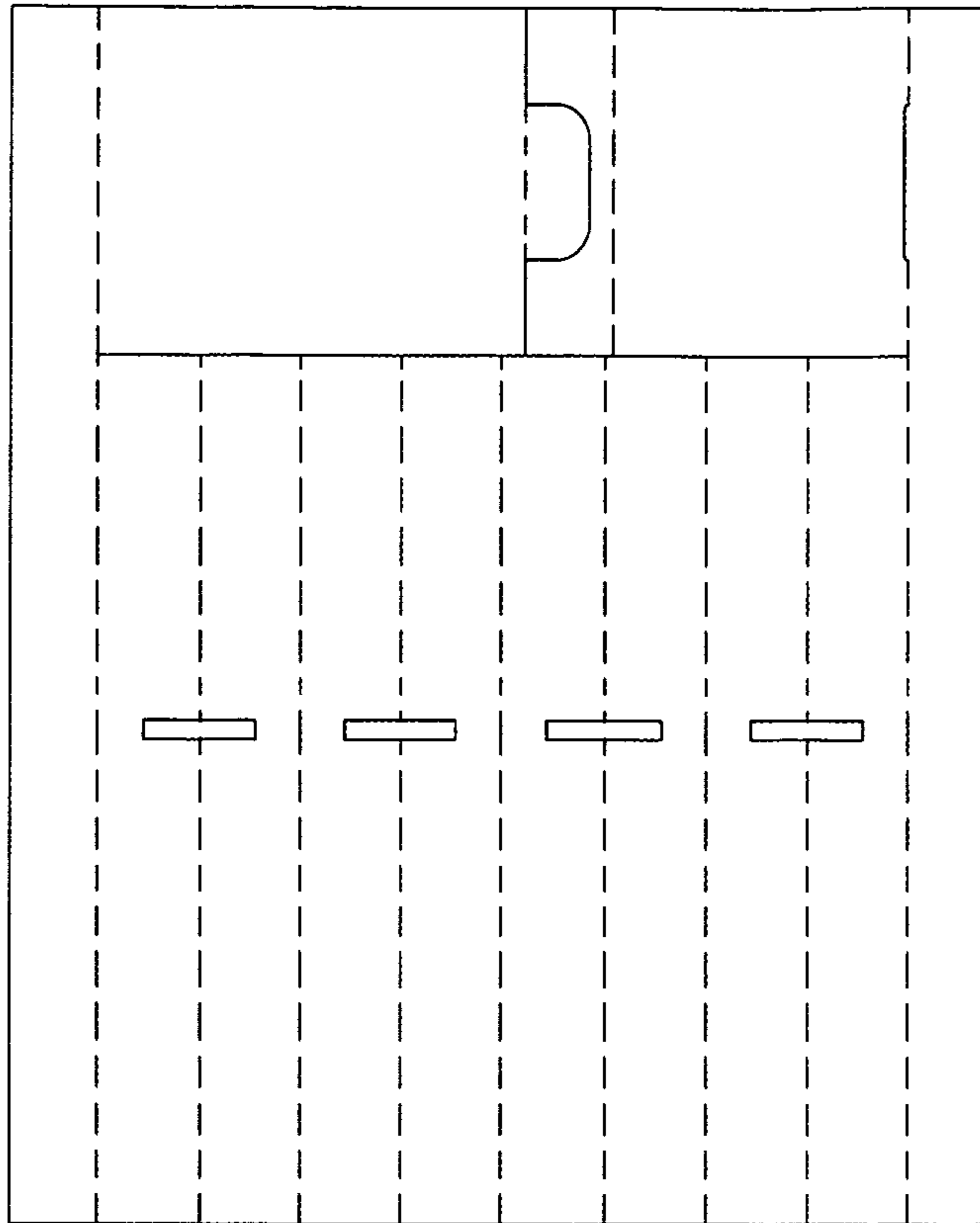


FIG 4

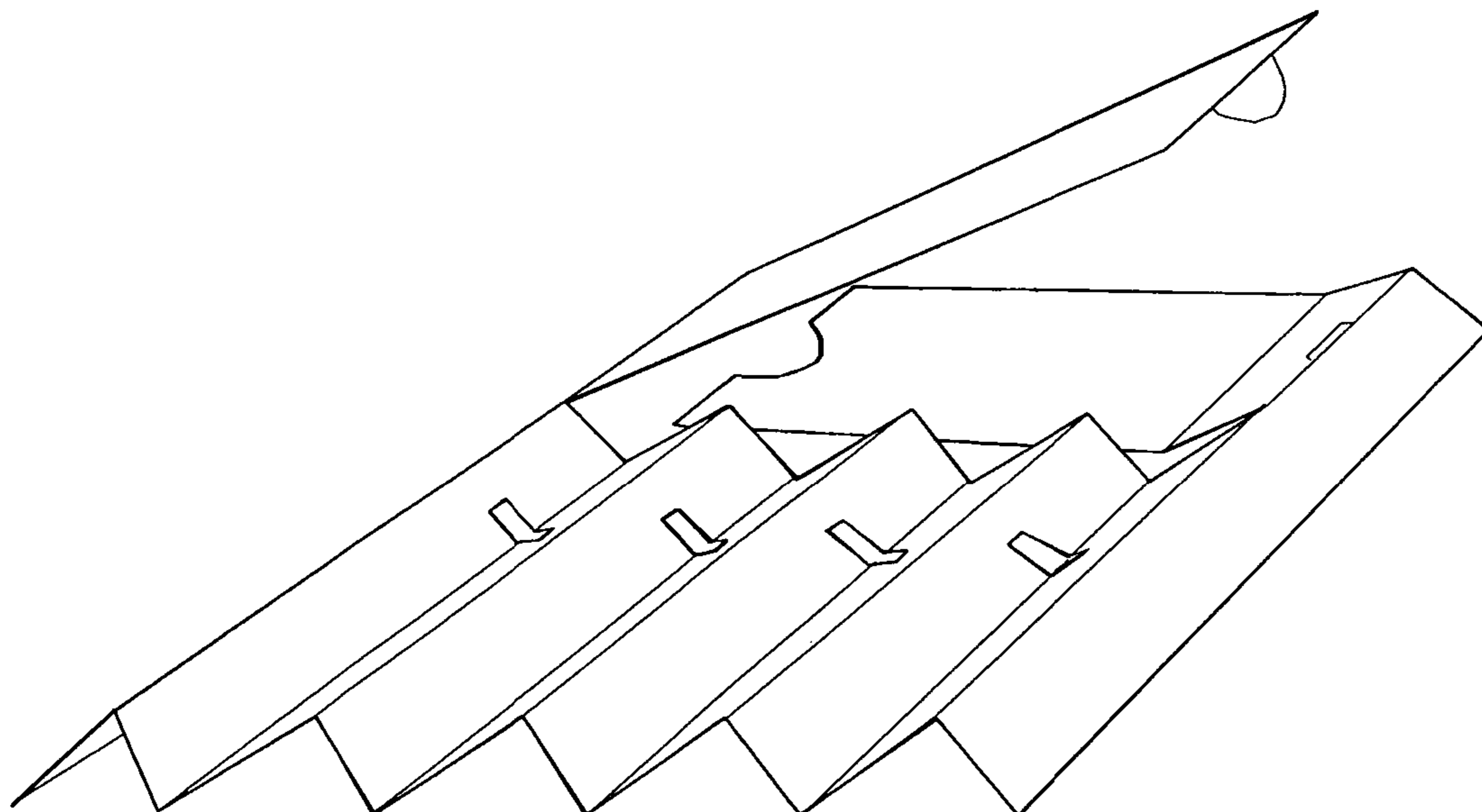


FIG 5

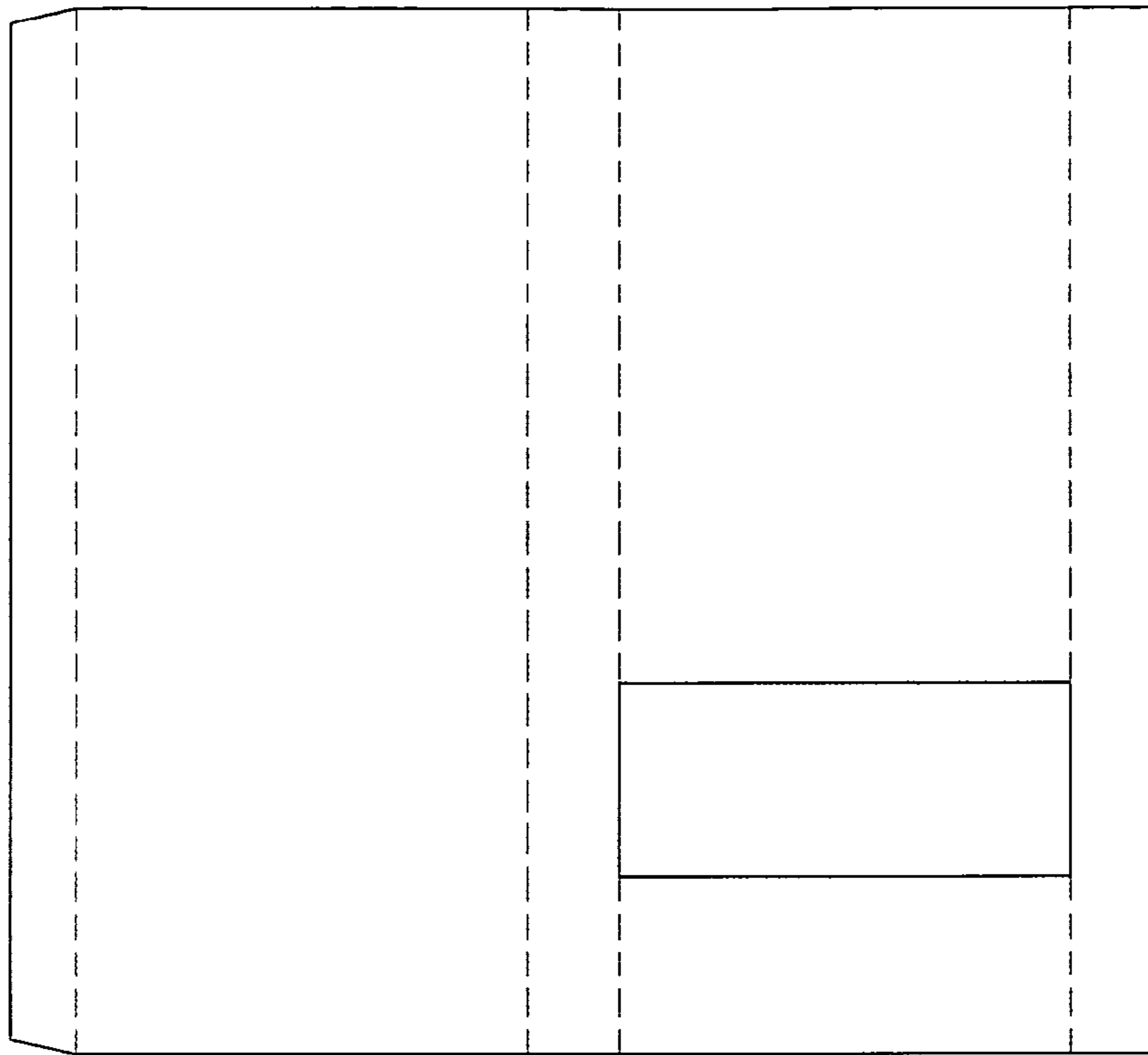


FIG 6

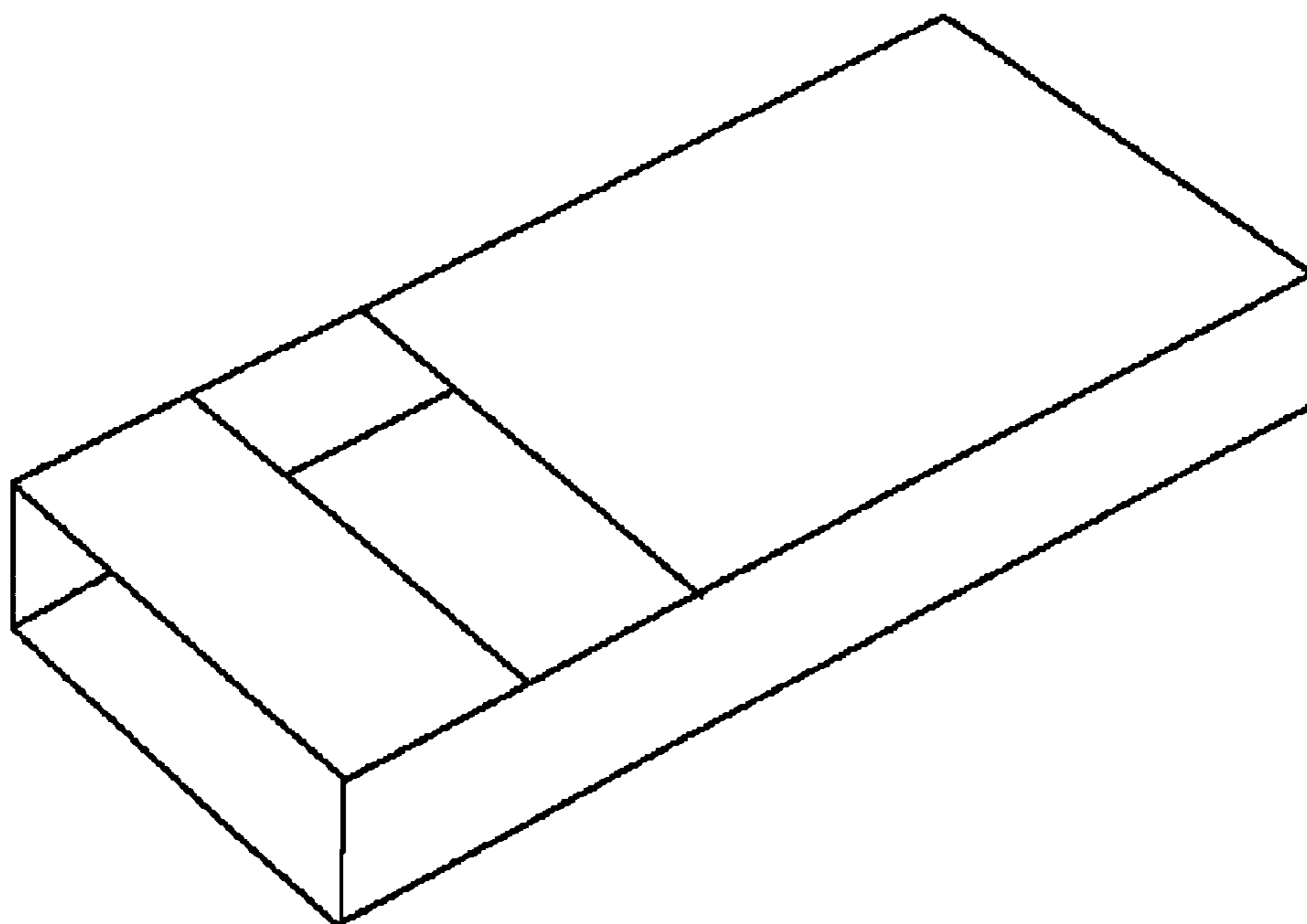


FIG.7

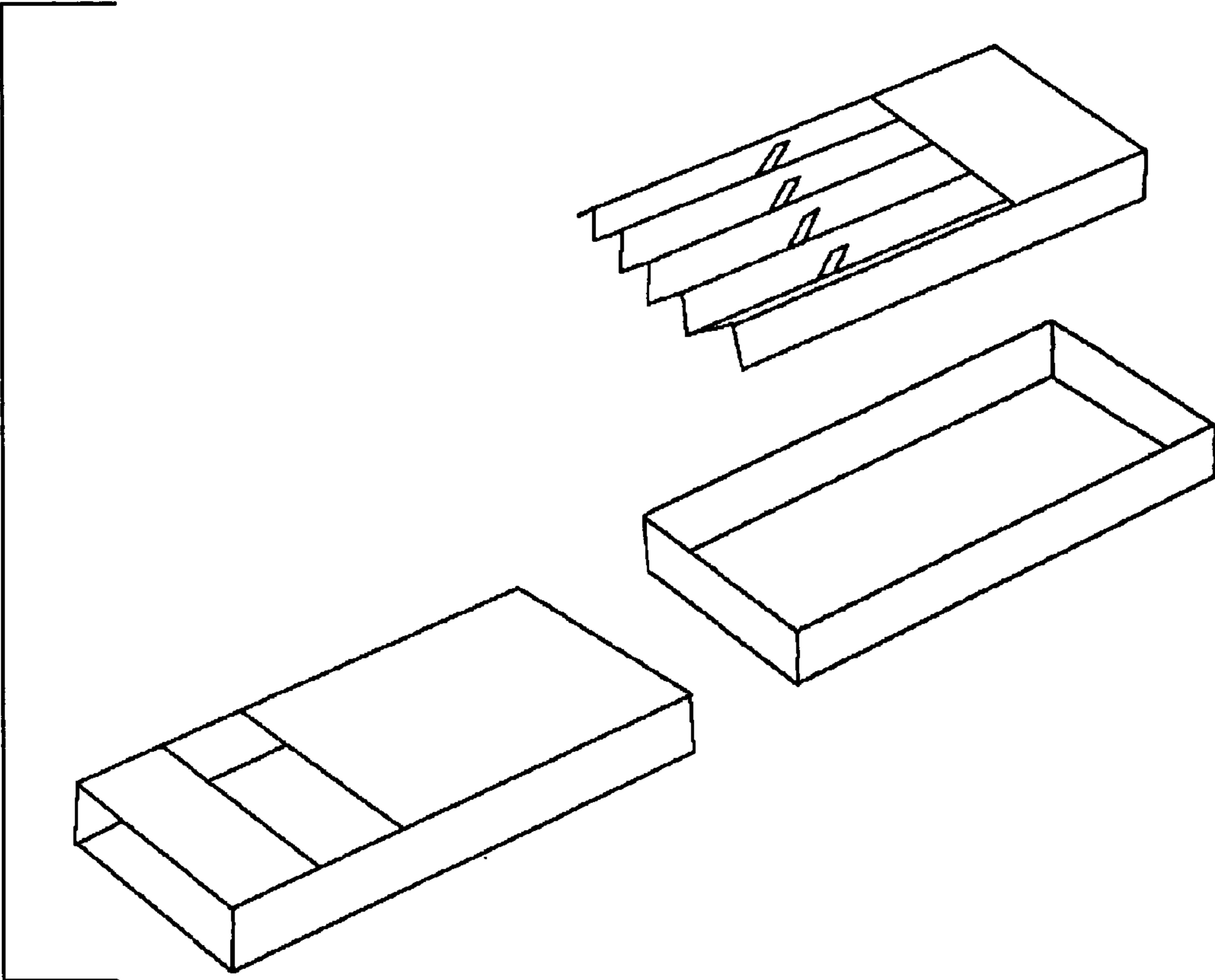


FIG 8

