

US00D591592S

(12) **United States Design Patent**
An

(10) **Patent No.:** **US D591,592 S**
(45) **Date of Patent:** **** May 5, 2009**

- (54) **BOX**
- (75) Inventor: **Dae-Geun An**, Suwon-Si (KR)
- (73) Assignee: **Samsung Electronics Co., Ltd.**,
Suwon-Si (KR)
- (**) Term: **14 Years**
- (21) Appl. No.: **29/290,251**
- (22) Filed: **Nov. 8, 2007**
- (30) **Foreign Application Priority Data**
Jul. 18, 2007 (KR) 30-2007-0030996
- (51) **LOC (9) Cl.** **09-03**
- (52) **U.S. Cl.** **D9/433**
- (58) **Field of Classification Search** D9/430-433,
D9/414, 417, 420-423, 759; 206/45.21,
206/45.29, 476, 525.1, 526, 750, 763, 774,
206/784; 229/100, 101, 103.3, 117, 117.01,
229/117.03-117.08, 120.02, 120.08, 120.13-120.18,
229/120.31, 120.37, 125.09, 125.15, 125.29,
229/126, 138, 155, 170, 221, 222, 247, 902,
229/904, 917, 933-937, 942
See application file for complete search history.

(56) **References Cited**

U.S. PATENT DOCUMENTS

- 1,446,581 A * 2/1923 Pinkerton 206/337
- 1,448,864 A * 3/1923 Pinkerton 206/490
- 1,478,336 A * 12/1923 Hunt 229/117.06
- 2,089,067 A * 8/1937 Myers 229/120.08
- 2,673,679 A * 3/1954 La Bombard 229/117.04
- 2,708,065 A * 5/1955 Inman 229/117.01
- 2,758,774 A * 8/1956 Grunert et al. 229/117.07
- 3,028,951 A * 4/1962 Okada 206/763
- 3,253,703 A * 5/1966 Ettin 206/784
- 3,317,114 A * 5/1967 Ragan et al. 229/152
- 3,357,630 A * 12/1967 Michelitsch 229/148
- 4,042,110 A * 8/1977 Guernsey 206/459.1
- D262,357 S * 12/1981 Kohler D9/433
- 4,489,878 A * 12/1984 Mode 229/117
- 4,511,079 A * 4/1985 Lopez 229/101
- 5,117,973 A * 6/1992 Lo Duca 206/45.29

- D336,428 S * 6/1993 Buratto D9/432
- 5,275,331 A * 1/1994 Chung-Piao 229/117.15
- D345,101 S * 3/1994 Abrams D9/423
- D353,538 S * 12/1994 Jobit D9/432
- D372,670 S * 8/1996 Healey D9/422
- D373,723 S * 9/1996 Healey D9/759
- D380,379 S * 7/1997 Lindblom et al. D9/761
- D436,313 S * 1/2001 Joshua et al. D9/432
- D437,222 S * 2/2001 Goldberg D9/432
- D438,101 S * 2/2001 Koster D9/721
- D439,157 S * 3/2001 Tsuruishi et al. D9/759
- D449,520 S * 10/2001 DiZoglio, III D9/423
- D461,125 S * 8/2002 Decello et al. D9/432
- 6,474,539 B1 * 11/2002 Van Der Horst 229/120.14
- 7,097,043 B2 * 8/2006 Hsu 206/784
- D552,987 S * 10/2007 Magnusson D9/432
- 2004/0124236 A1 * 7/2004 Howard 229/145
- 2005/0061861 A1 * 3/2005 Pennino 229/120.13
- 2006/0022023 A1 * 2/2006 Kuentler et al. 229/120.13
- 2006/0237519 A1 * 10/2006 Hui 229/117.08
- 2008/0054057 A1 * 3/2008 Chang 229/120.18

FOREIGN PATENT DOCUMENTS

- GB 2437277 A * 10/2007
- WO WO 9408855 A1 * 4/1994

* cited by examiner

Primary Examiner—T. Chase Nelson

Assistant Examiner—Karen Acker

(74) *Attorney, Agent, or Firm*—Staas & Halsey LLP

(57) **CLAIM**

The ornamental design for the box, as shown and described.

DESCRIPTION

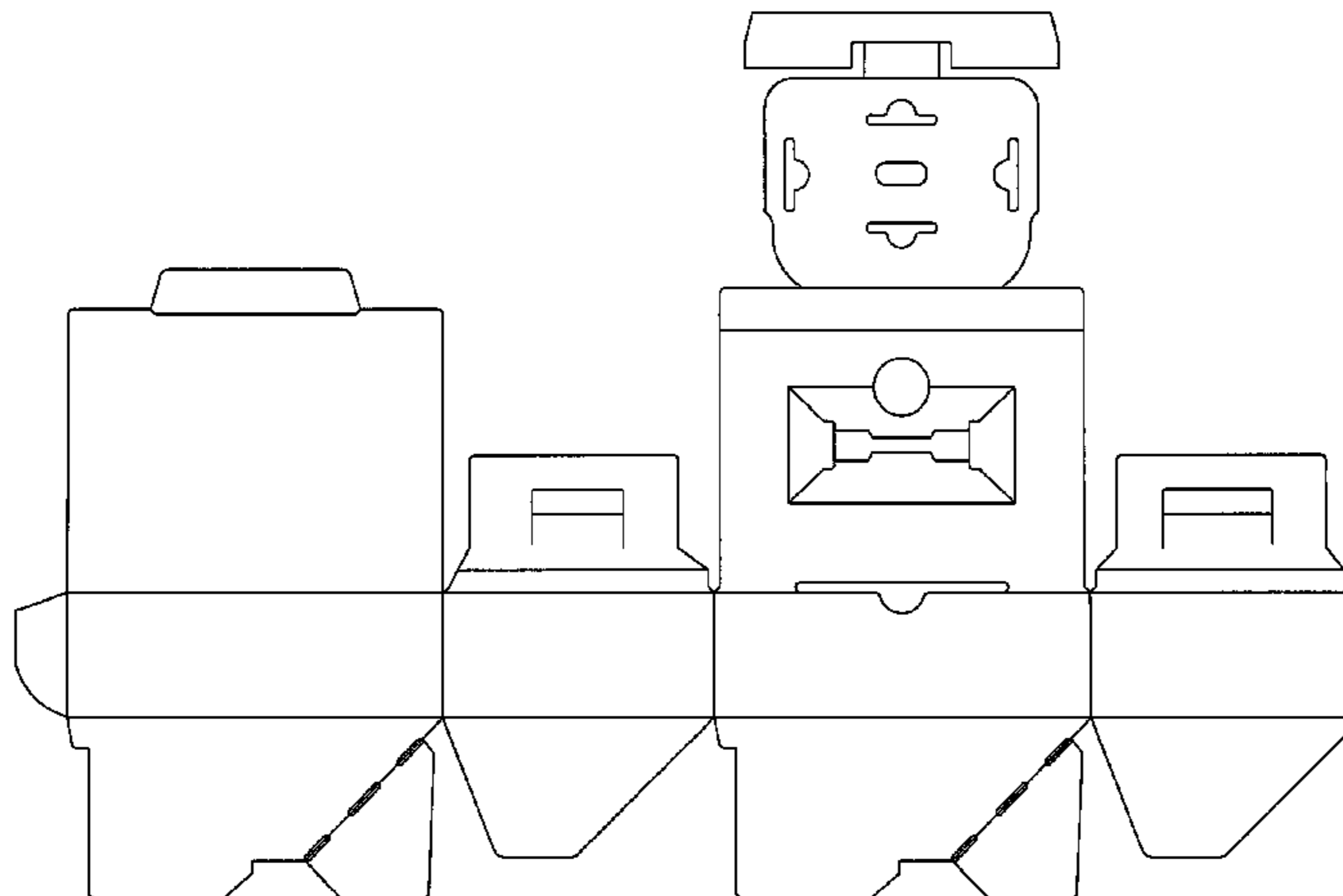
FIG. 1 is a top view of a box in blank form.

FIG. 2 is a perspective view of the box of FIG. 1 in an assembled and closed state.

FIG. 3 is a perspective view of the box of FIG. 1 in an assembled and first open state; and,

FIG. 4 is a perspective view of the box of FIG. 1, in an assembled and alternate open state.

1 Claim, 4 Drawing Sheets



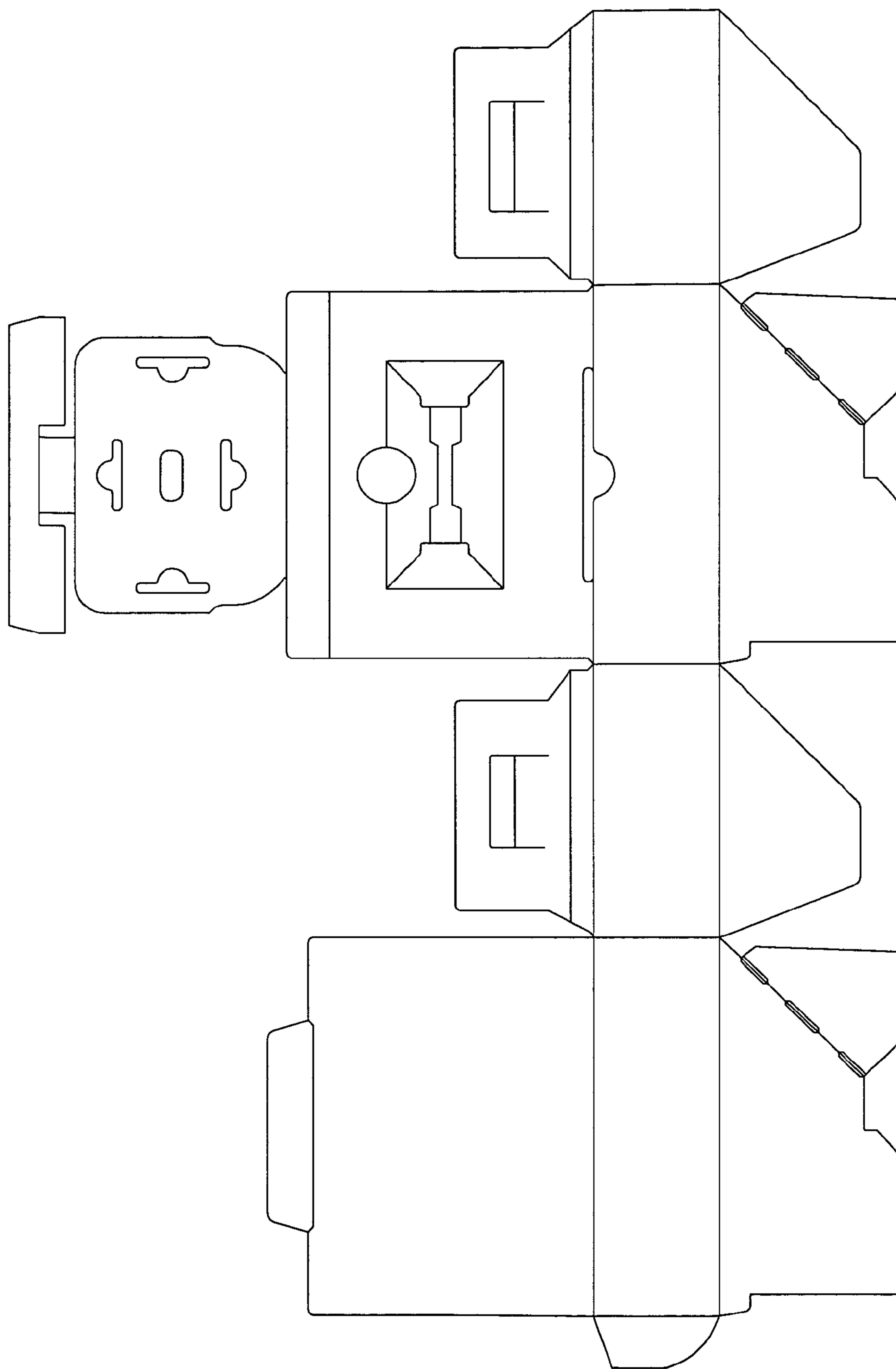


FIG. 1

FIG. 2

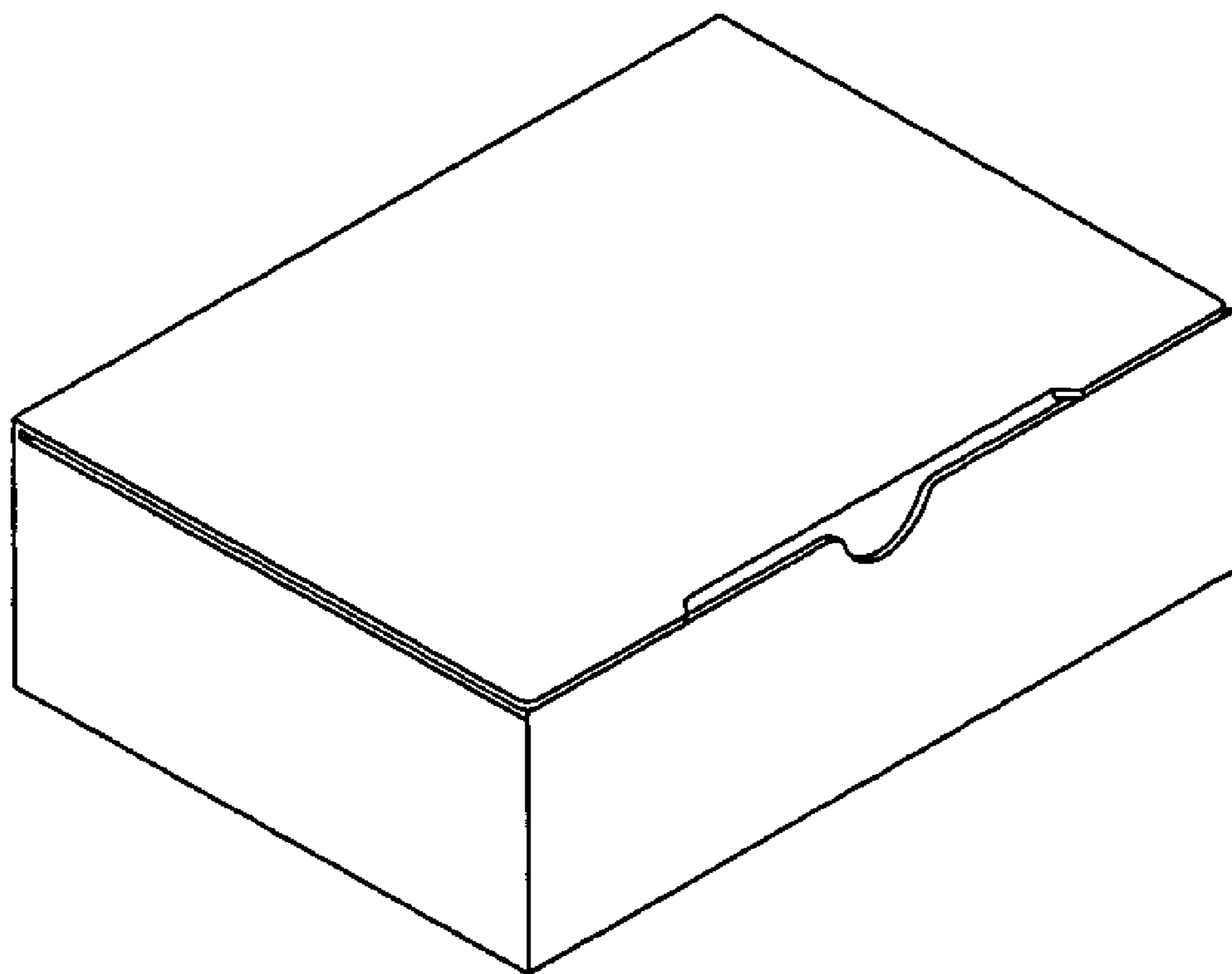


FIG. 3

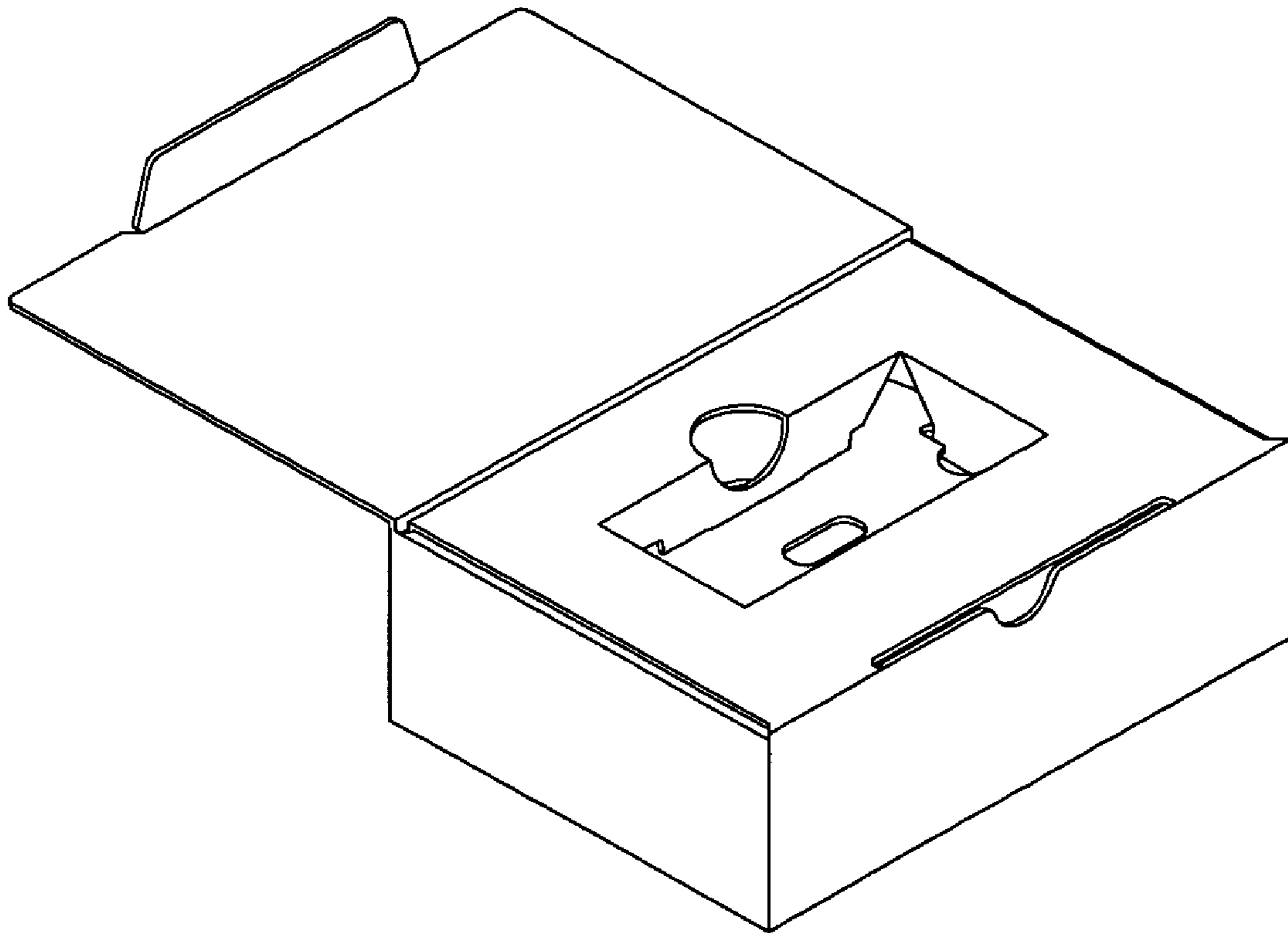


FIG. 4

