



US00D591591S

(12) **United States Design Patent**
Moecks et al.

(10) **Patent No.:** **US D591,591 S**

(45) **Date of Patent:** **** May 5, 2009**

(54) **CONTAINER**

(75) Inventors: **Ruth Moecks**, Franklin, TN (US); **Jason Michael Friedland**, Franklin, TN (US); **Peter Sebastian Slusarczyk**, Nolensville, TN (US); **Angel Eduardo Hernandez**, Nolensville, TN (US); **Rebecca Morgan Valentine**, Franklin, TN (US); **Matthew Glenn Moudy**, Nashville, TN (US); **Jeremy Kirk Franks**, Franklin, TN (US)

(73) Assignee: **MARS, Incorporated**, McLean, VA (US)

(**) Term: **14 Years**

(21) Appl. No.: **29/321,793**

(22) Filed: **Jul. 23, 2008**

Related U.S. Application Data

(63) Continuation of application No. 29/302,481, filed on Jan. 17, 2008, now abandoned.

(51) **LOC (9) Cl.** **09-03**

(52) **U.S. Cl.** **D9/428**

(58) **Field of Classification Search** D9/414-418, D9/420-426, 430-432, 761, 737, 757; D7/354-360, D7/629, 602, 412, 505, 542-545, 553.1-553.8, D7/538, 557, 564-565, 583-587, 591, 615; 206/315.9, 467, 485, 521.1, 539, 564, 541, 206/546, 588, 766, 779; 220/23.8, 23.83, 220/281, 315, 324, 326, 367, 523, 556, 574, 220/675, 4.21, 4.23, 782, 835, 839; 229/406, 229/902-904, 906, 407, 110; D6/470, 397, D6/441; D30/118, 129; D24/121-123
See application file for complete search history.

(56) **References Cited**

U.S. PATENT DOCUMENTS

D44,932 S 11/1913 Mittinger, Jr.

D75,427 S 6/1928 Joseph
3,128,029 A 4/1964 Price
3,229,886 A * 1/1966 Grogel 220/608
3,381,872 A * 5/1968 Holder et al. 220/203.9
D235,302 S * 6/1975 Lanigan et al. D7/584
D289,269 S * 4/1987 Fleckenstein D11/157
D307,395 S * 4/1990 Borst D9/428

(Continued)

OTHER PUBLICATIONS

U.S. Appl. No. 29/298,079, filed Nov. 28, 2007, by Michael J. Wilson et al., entitled "Container".

(Continued)

Primary Examiner—Robert M Spear

Assistant Examiner—Susan E Krakower

(74) *Attorney, Agent, or Firm*—Arent Fox LLP

(57)

CLAIM

The ornamental design for a container, as shown and described.

DESCRIPTION

FIG. 1 is a top perspective view of a container showing our new design;

FIG. 2 is a bottom perspective view of the design shown in FIG. 1;

FIG. 3 is a top view of the design shown in FIG. 1;

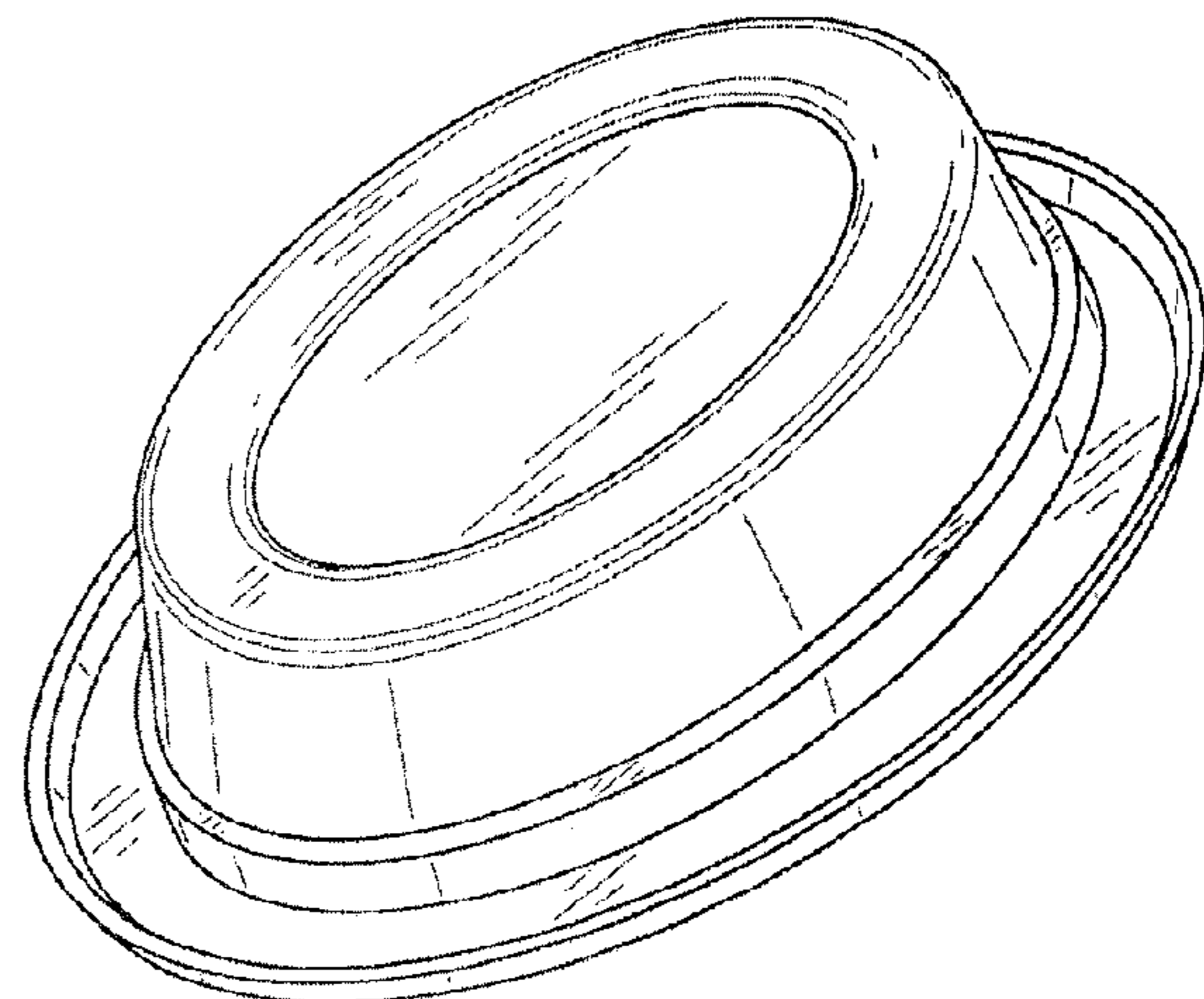
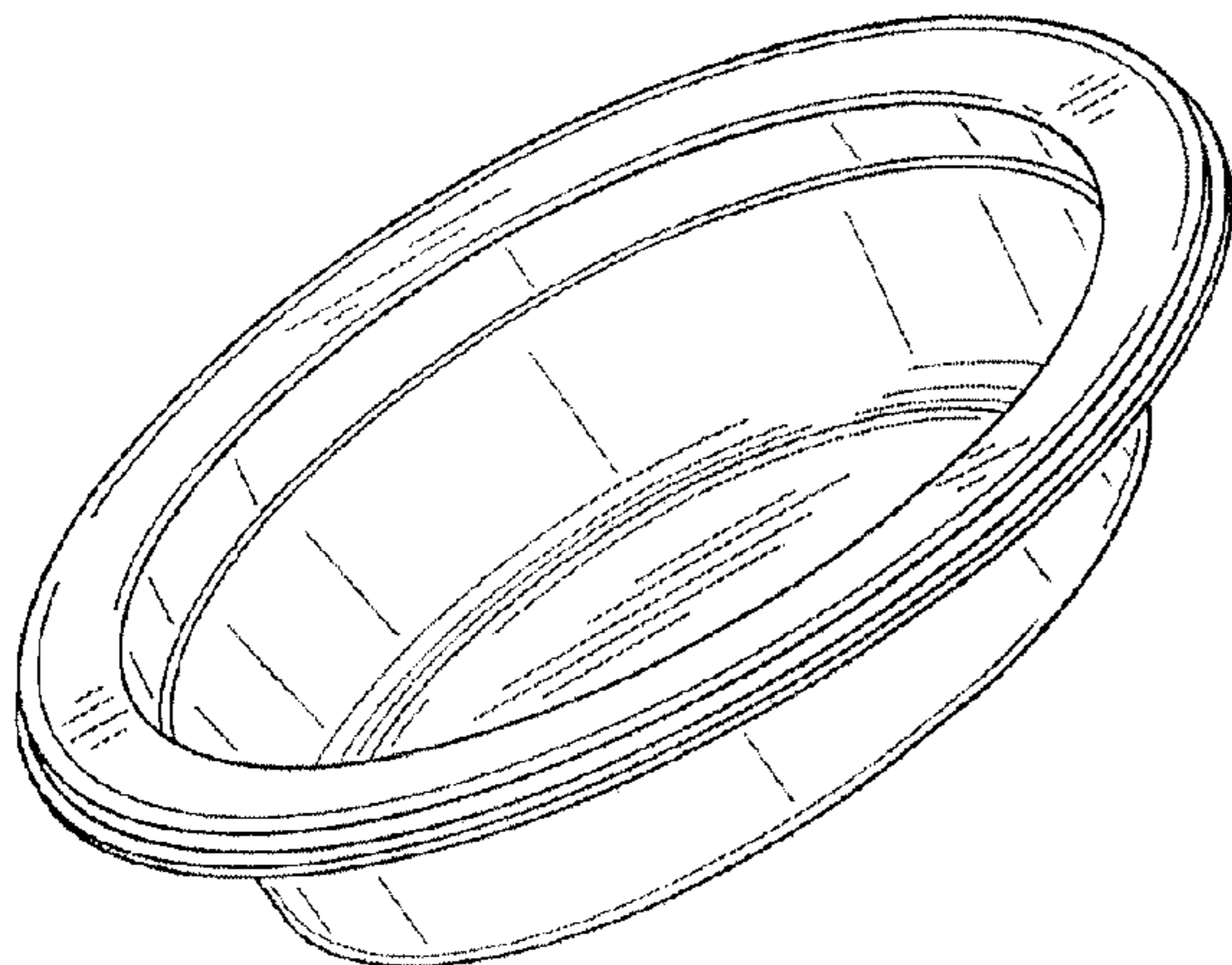
FIG. 4 is a bottom view of the design shown in FIG. 1;

FIG. 5 is a front view of the design shown in FIG. 1, wherein the rear view is an identical image thereof;

FIG. 6 is a left side view of the design shown in FIG. 1, wherein the right side view is an identical image thereof; and,

FIG. 7 is a cross-sectional view of the design shown in FIG. 1, taken along line 7—7 of FIG. 3.

1 Claim, 3 Drawing Sheets



US D591,591 S

Page 2

U.S. PATENT DOCUMENTS

D314,253 S 1/1991 Goetz
D368,234 S 3/1996 Dickinson et al.
D373,050 S 8/1996 Brewer et al.
D416,445 S 11/1999 Henry
D426,160 S 6/2000 Lindsay et al.
D429,150 S 8/2000 Lindsay et al.
D439,517 S 3/2001 Lindsay et al.
D452,417 S 12/2001 Whitmore et al.
D454,989 S 3/2002 McLaughlin
D474,110 S 5/2003 Sweeney
D478,474 S 8/2003 Zettle
D478,478 S 8/2003 Soohoo et al.
D482,240 S 11/2003 Soohoo et al.
D485,126 S 1/2004 Watson
D509,106 S 9/2005 de Groote et al.
D522,809 S 6/2006 Kusuma et al.
D529,797 S * 10/2006 Wilcox et al. D9/428

7,124,910 B2 * 10/2006 Nordland 220/839
D532,293 S 11/2006 Martin
D565,907 S * 4/2008 de Groote et al. D7/601
D567,591 S * 4/2008 Weber D7/545
D568,156 S 5/2008 Wilson et al.
D572,133 S 7/2008 Wilson et al.

OTHER PUBLICATIONS

U.S. Appl. No. 29/274,806, filed May 29, 2007, by Stephan Eberhardt, entitled "Container".
U.S. Appl. No. 29/274,220, filed Apr. 5, 2007, by Michael J. Wilson et al., entitled "Container".
U.S. Appl. No. 29/321,733, filed Jul. 22, 2008, by Michael J. Wilson et al., entitled "Container".
U.S. Appl. No. 29/287,522, filed Aug. 17, 2007, by Frank Shields, entitled "Pouch and Tub Mix".

* cited by examiner

Fig.1

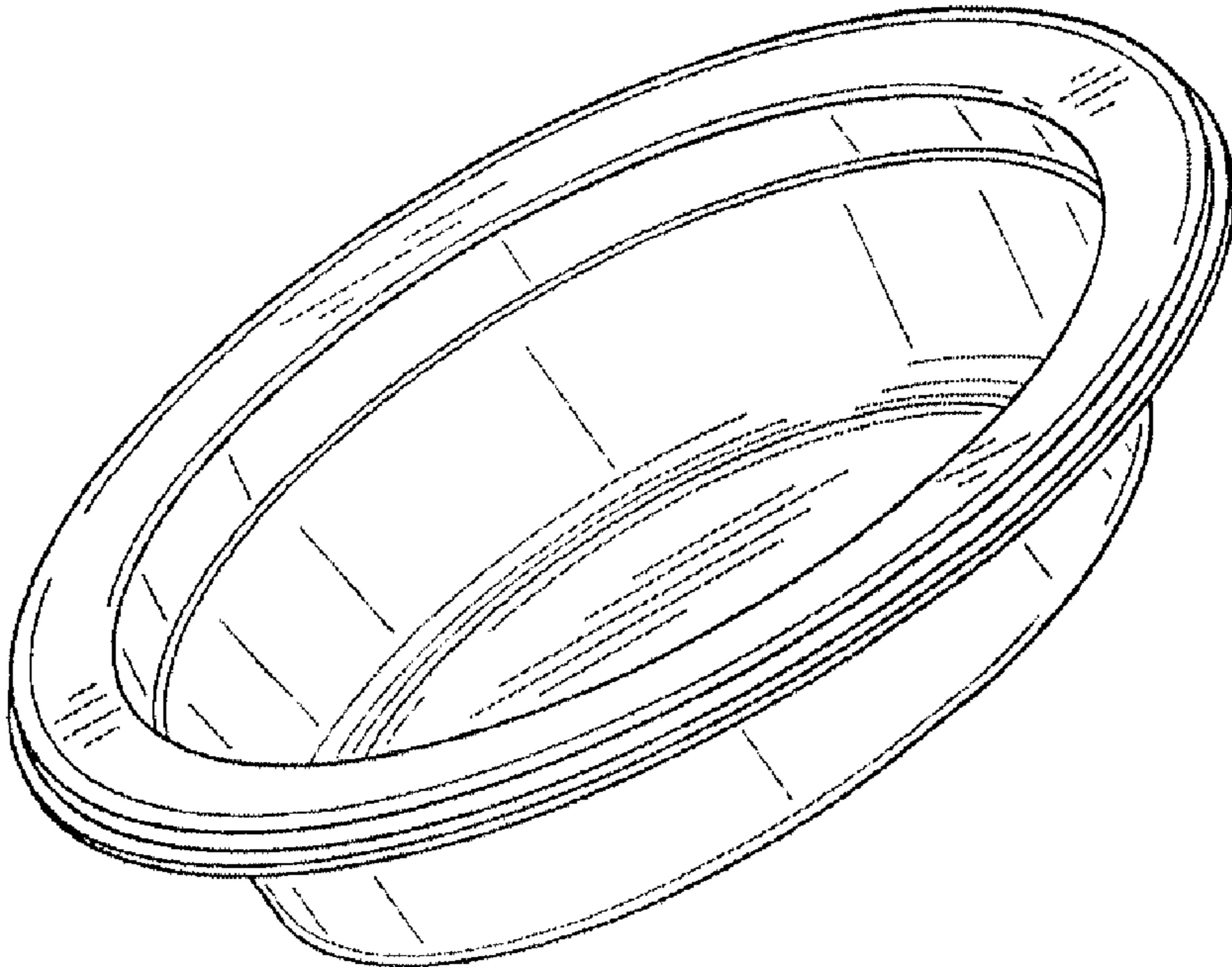


Fig.2

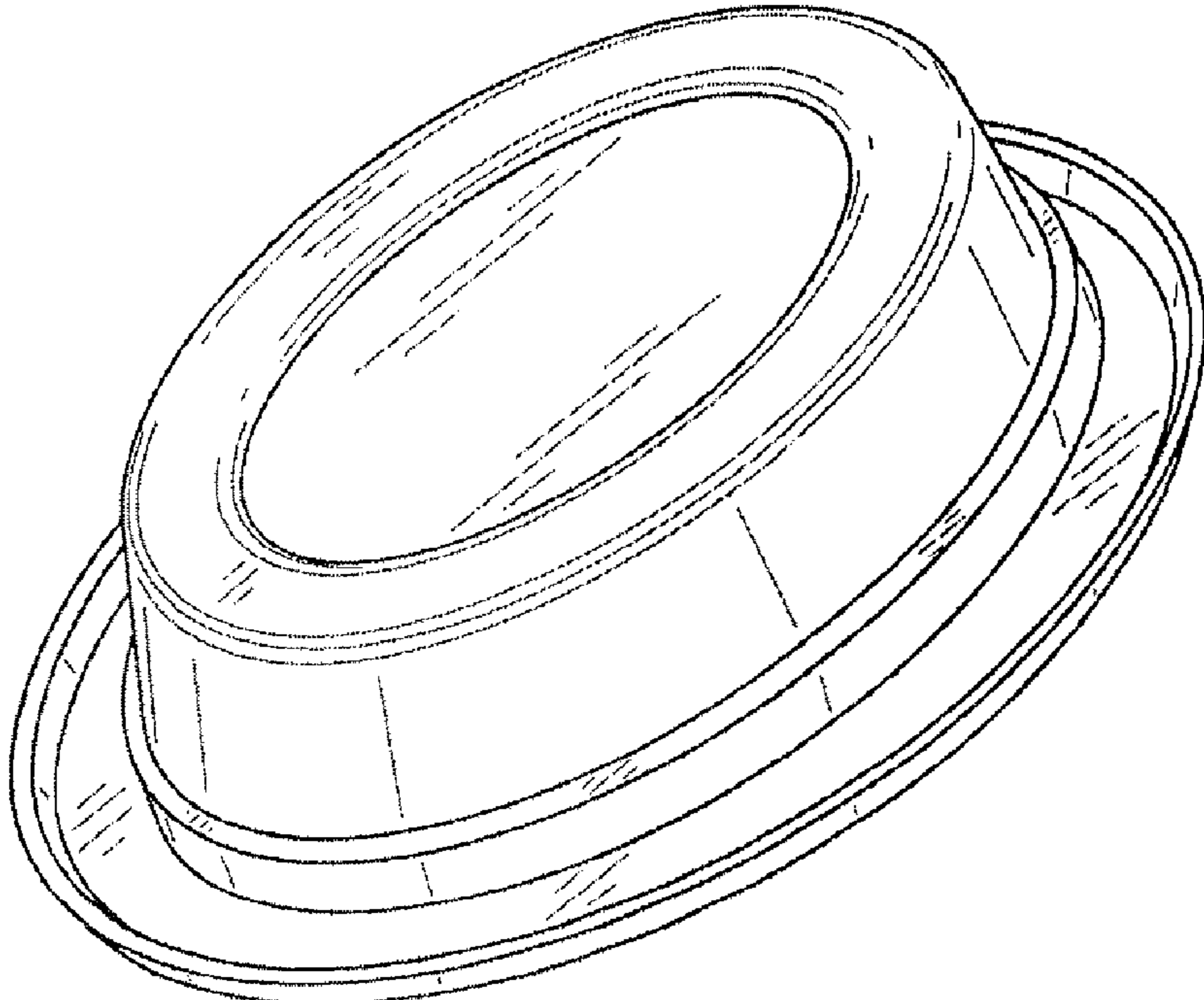


Fig.3

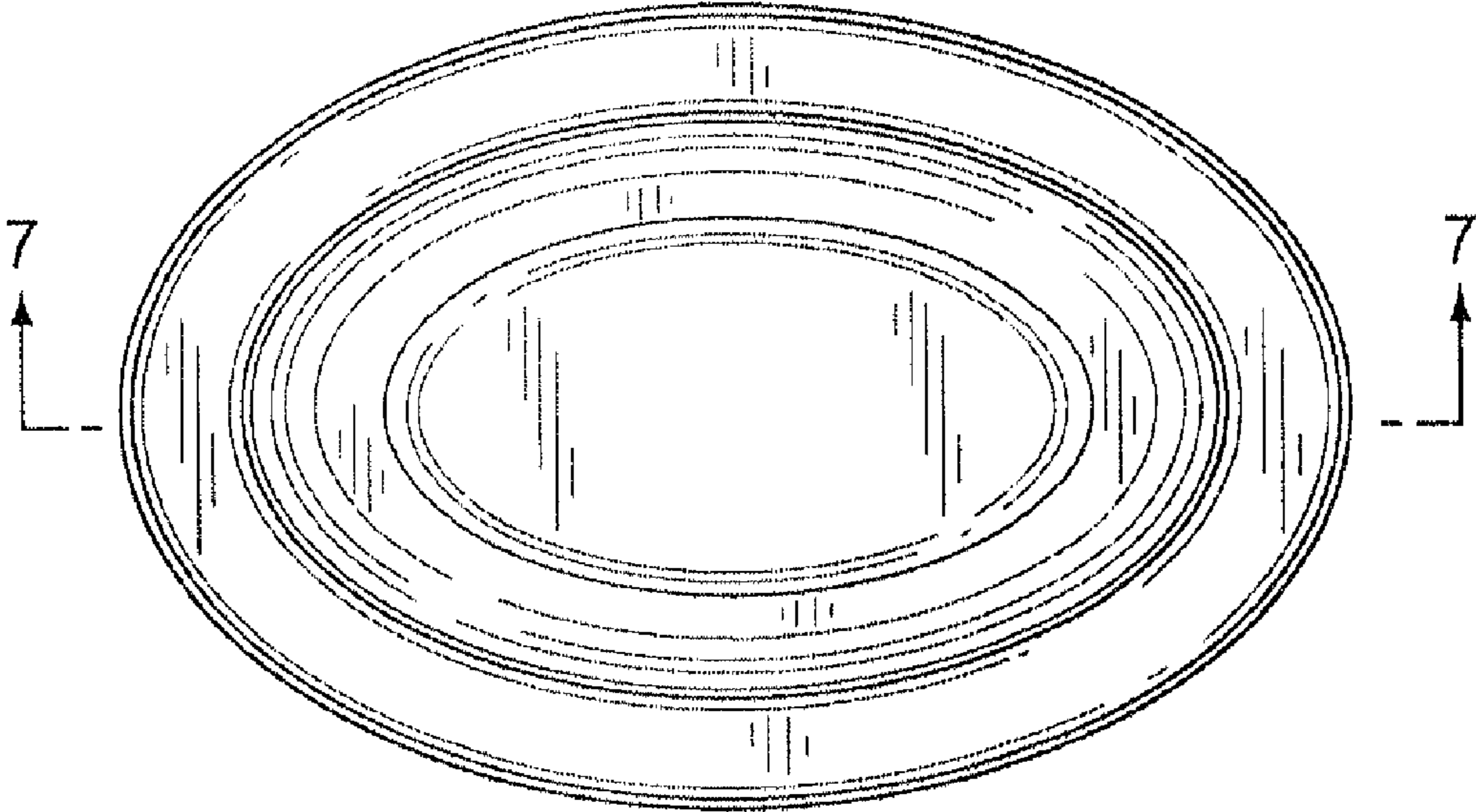


Fig.4

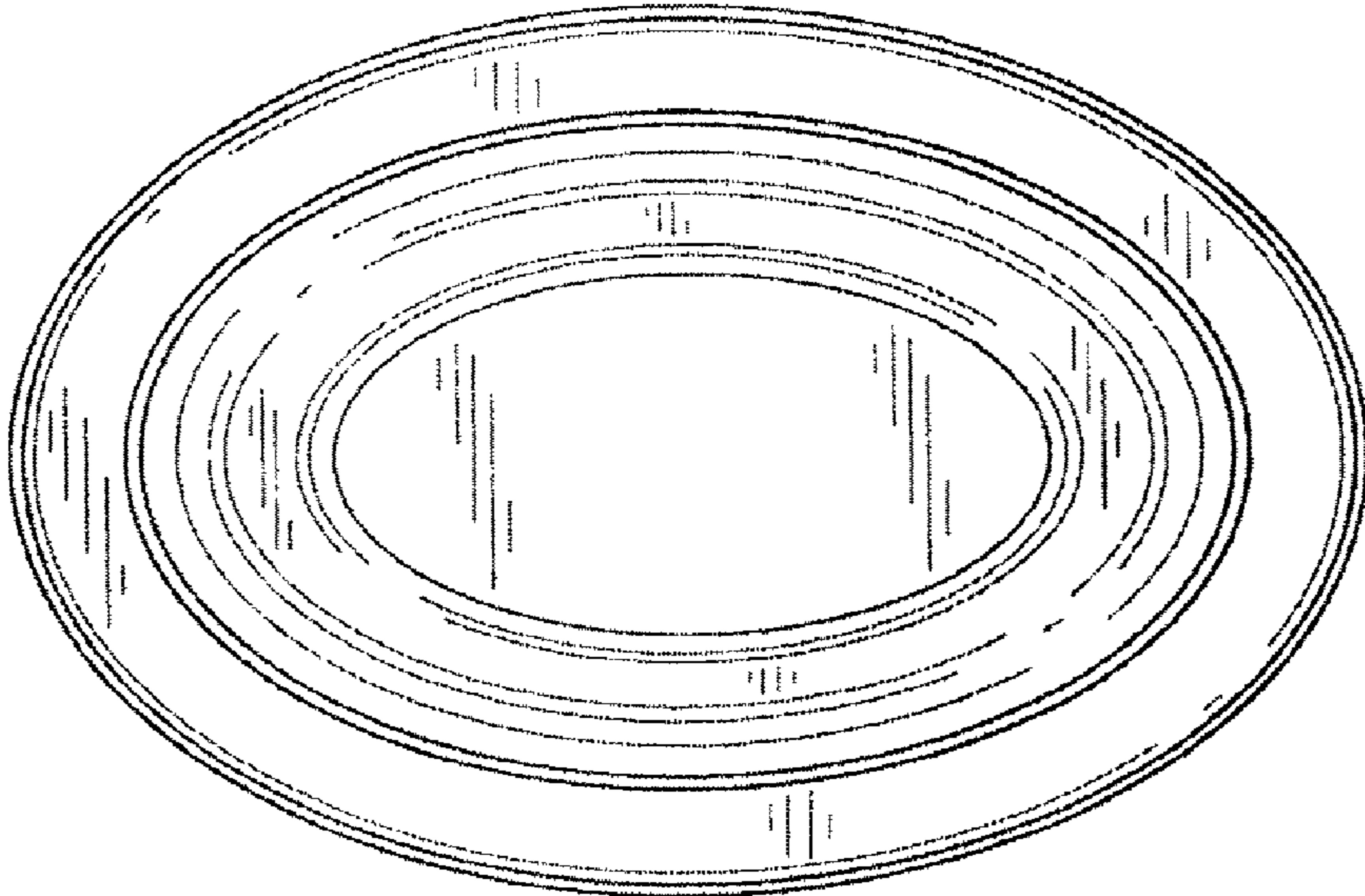


Fig.5

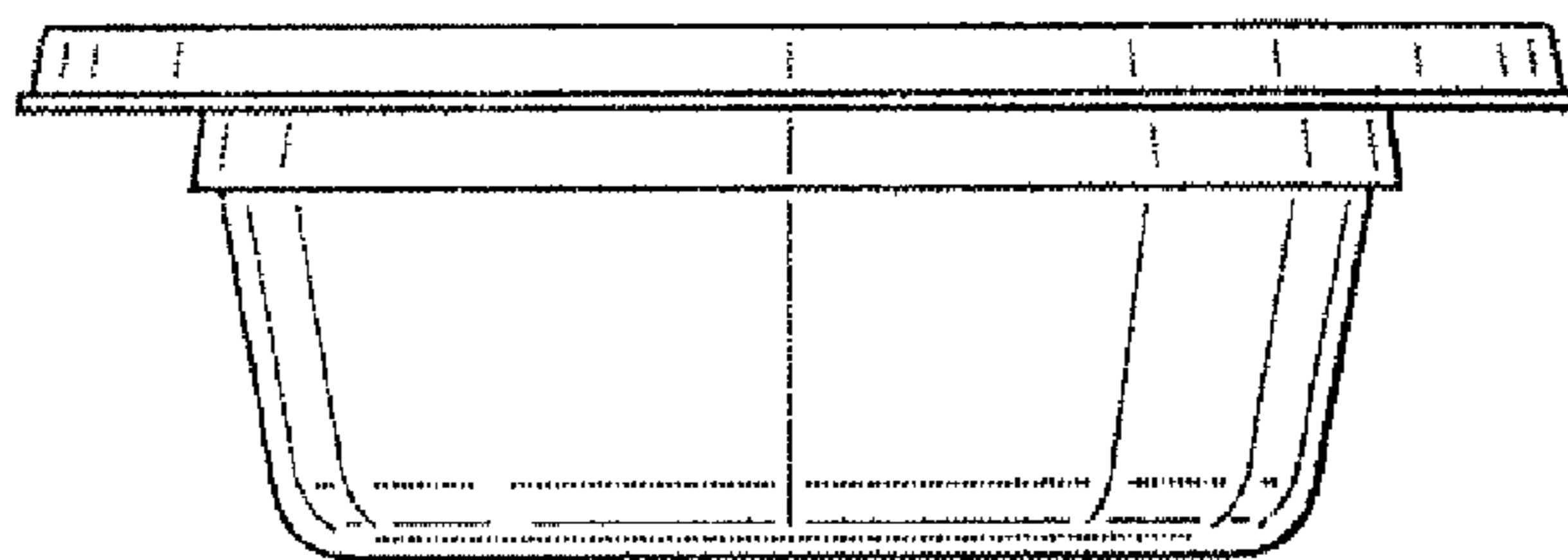


Fig.6

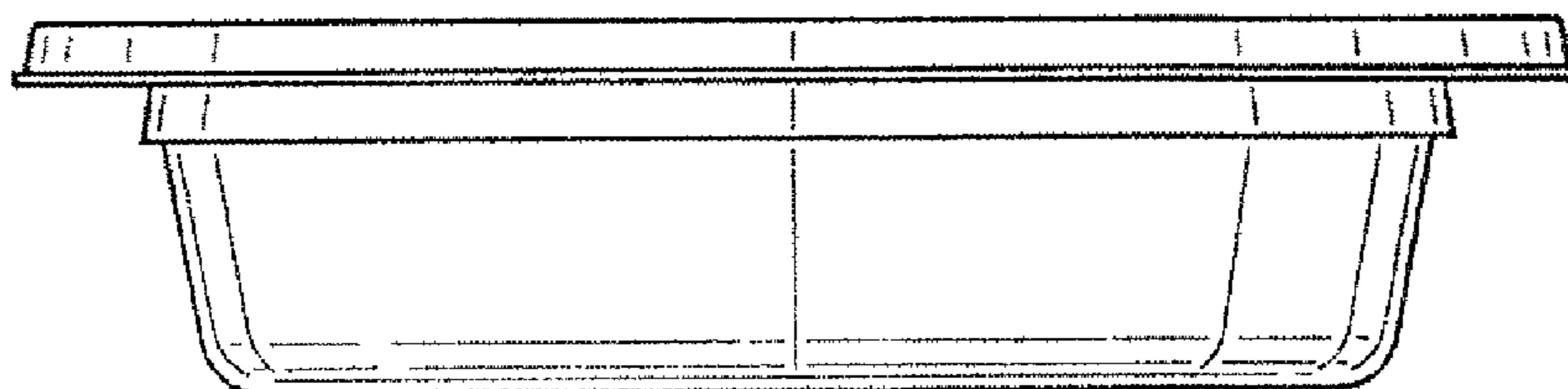


Fig.7

