



(12) **United States Design Patent**
Wilson et al.

(10) **Patent No.:** **US D591,590 S**
(45) **Date of Patent:** **** May 5, 2009**

(54) **CONTAINER**

(75) Inventors: **Michael J. Wilson**, Rossmoor, CA (US);
Bryan W. Ware, Pleasanton, CA (US);
Sean C. Silk, Los Angeles, CA (US)

(73) Assignee: **MARS, Incorporated**, McLean, VA
(US)

(**) Term: **14 Years**

(21) Appl. No.: **29/321,733**

(22) Filed: **Jul. 22, 2008**

Related U.S. Application Data

(63) Continuation of application No. 29/298,079, filed on
Nov. 28, 2007, now abandoned.

(51) **LOC (9) Cl.** **09-03**

(52) **U.S. Cl.** **D9/428**

(58) **Field of Classification Search** D9/414-418,
D9/420-426, 430-432, 761, 737, 757; D7/354-360,
D7/629, 602, 412, 505, 542-545, 553.1-553.8,
D7/538, 557, 564-565, 583-587, 591, 615;
206/315.9, 467, 485, 521.1, 539, 564, 541,
206/546, 588, 766, 779; 220/23.8, 23.83,
220/281, 315, 324, 326, 367, 523, 556, 574,
220/675, 4.21, 4.23, 782, 835, 839; 229/406,
229/902-904, 906, 407, 110; D6/470, 397,
D6/441; D30/118, 129; D24/121-123
See application file for complete search history.

(56) **References Cited**

U.S. PATENT DOCUMENTS

D44,932 S	11/1913	Mittinger, Jr.	
D75,427 S	6/1928	Joseph	
2,262,204 A *	11/1941	Rideout	220/771
3,128,029 A	4/1964	Price	
3,381,872 A *	5/1968	Holder et al.	220/203.09
D234,180 S *	1/1975	Dart et al.	D7/584
D289,269 S *	4/1987	Fleckenstein	D11/157
D314,253 S	1/1991	Goetz	
D368,234 S	3/1996	Dickinson et al.	

D373,050 S	8/1996	Brewer et al.	
D416,445 S *	11/1999	Henry	D7/545
D426,160 S	6/2000	Lindsay et al.	
D429,150 S	8/2000	Lindsay et al.	
D439,517 S	3/2001	Lindsay et al.	
D452,417 S *	12/2001	Whitmore et al.	D7/543
D453,094 S *	1/2002	Maggard et al.	D7/584
D454,989 S	3/2002	McLaughlin	
D474,110 S	5/2003	Sweeney	
D476,861 S *	7/2003	Zettle et al.	D7/629
D478,474 S	8/2003	Zettle	

(Continued)

OTHER PUBLICATIONS

U.S. Appl. No. 29/302,481, filed Jan. 17, 2008, by Ruth Moecks et al.,
entitled "Container".

U.S. Appl. No. 29/274,806, filed May 29, 2007, by Stephan
Eberhardt, entitled "Container".

U.S. Appl. No. 29/274,220, filed Apr. 5, 2007, by Michael J. Wilson
et al., entitled "Container".

Primary Examiner—Robert M Spear

Assistant Examiner—Susan E Krakower

(74) *Attorney, Agent, or Firm*—Arent Fox LLP

(57) **CLAIM**

The ornamental design for a container, as shown and
described.

DESCRIPTION

FIG. 1 is a top perspective view of the container showing our
new design;

FIG. 2 is a bottom perspective view of the design shown in
FIG. 1;

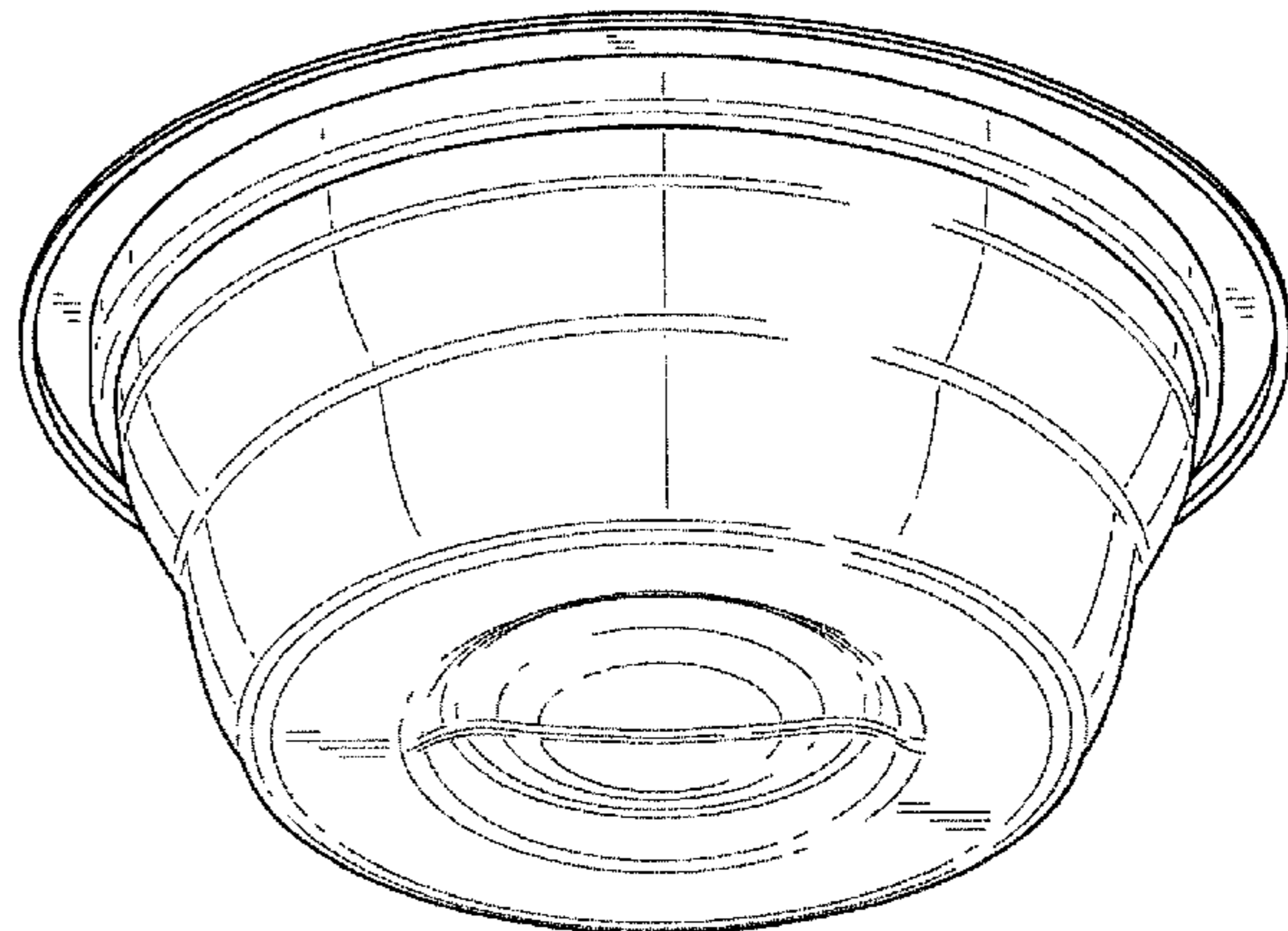
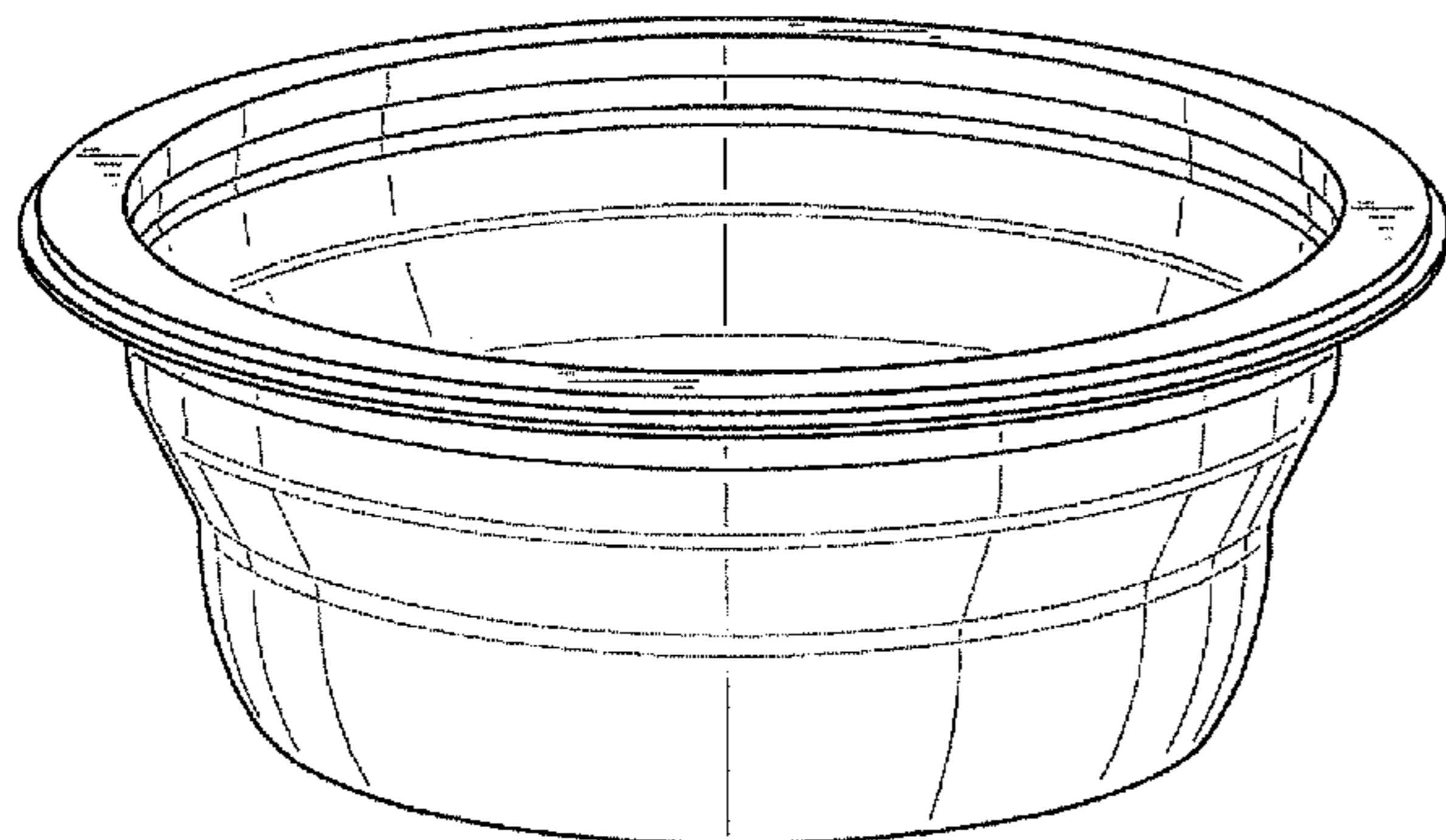
FIG. 3 is a top view of the design shown in FIG. 1;

FIG. 4 is a bottom view of the design shown in FIG. 1;

FIG. 5 is a side view of the design shown in FIG. 1; and,

FIG. 6 is a cross-sectional view of the design shown in FIG. 1,
taken along line 6—6 of FIG. 3.

1 Claim, 4 Drawing Sheets



US D591,590 S

Page 2

U.S. PATENT DOCUMENTS						
			7,124,910	B2 *	10/2006	Nordland 220/839
D478,475	S *	8/2003 Backes et al. D7/545	D532,293	S	11/2006	Martin
D478,478	S	8/2003 Soohoo et al.	D564,711	S *	3/2008	Modi et al. D30/129
D482,240	S	11/2003 Soohoo et al.	D565,907	S *	4/2008	de Groote et al. D7/601
D485,126	S	1/2004 Watson	D568,156	S	5/2008	Wilson et al.
D491,455	S *	6/2004 Li D9/428	D572,133	S	7/2008	Wilson et al.
D509,106	S	9/2005 de Groote et al.				
D522,809	S	6/2006 Kusuma et al.				

* cited by examiner

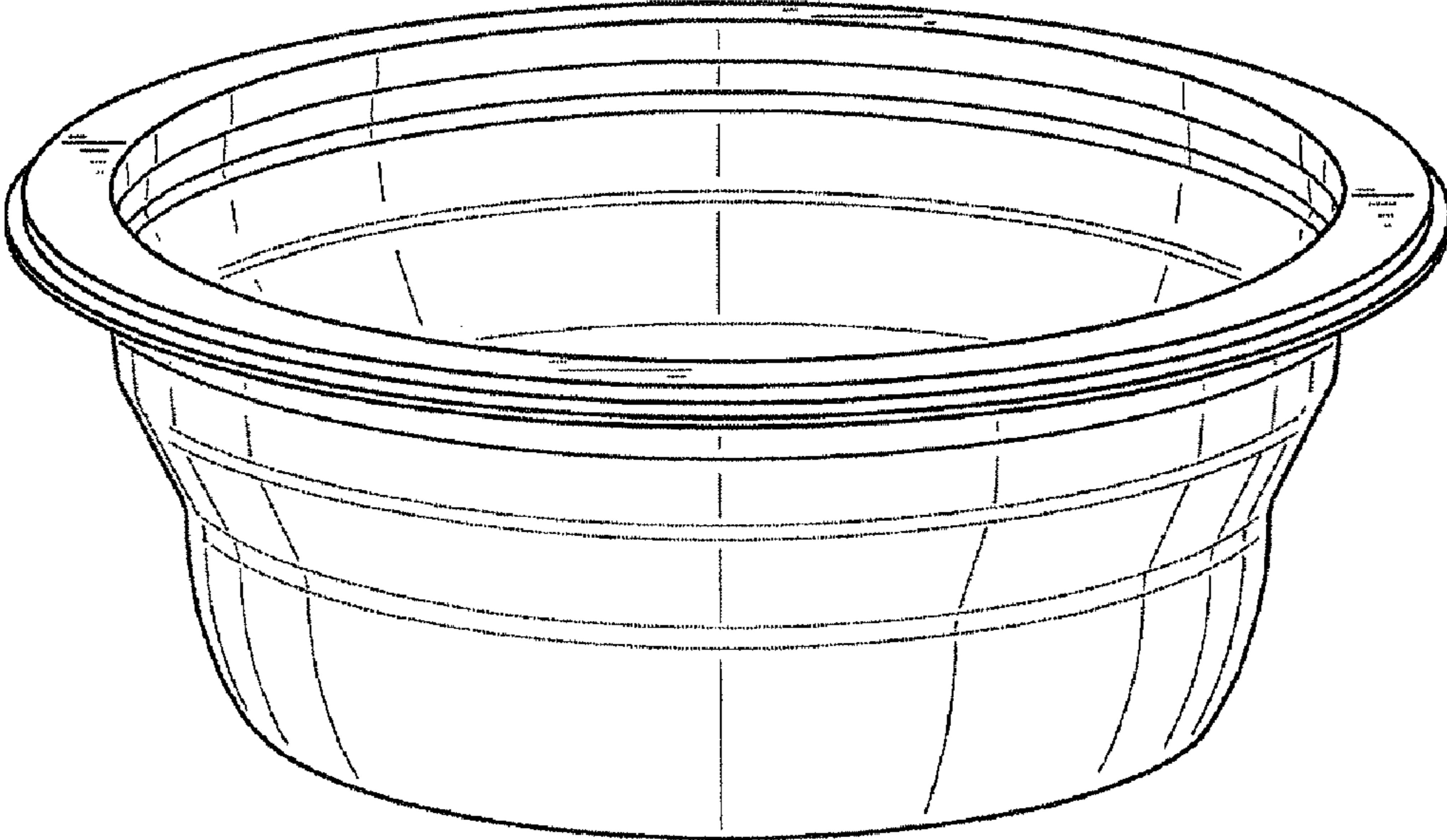


FIG.1

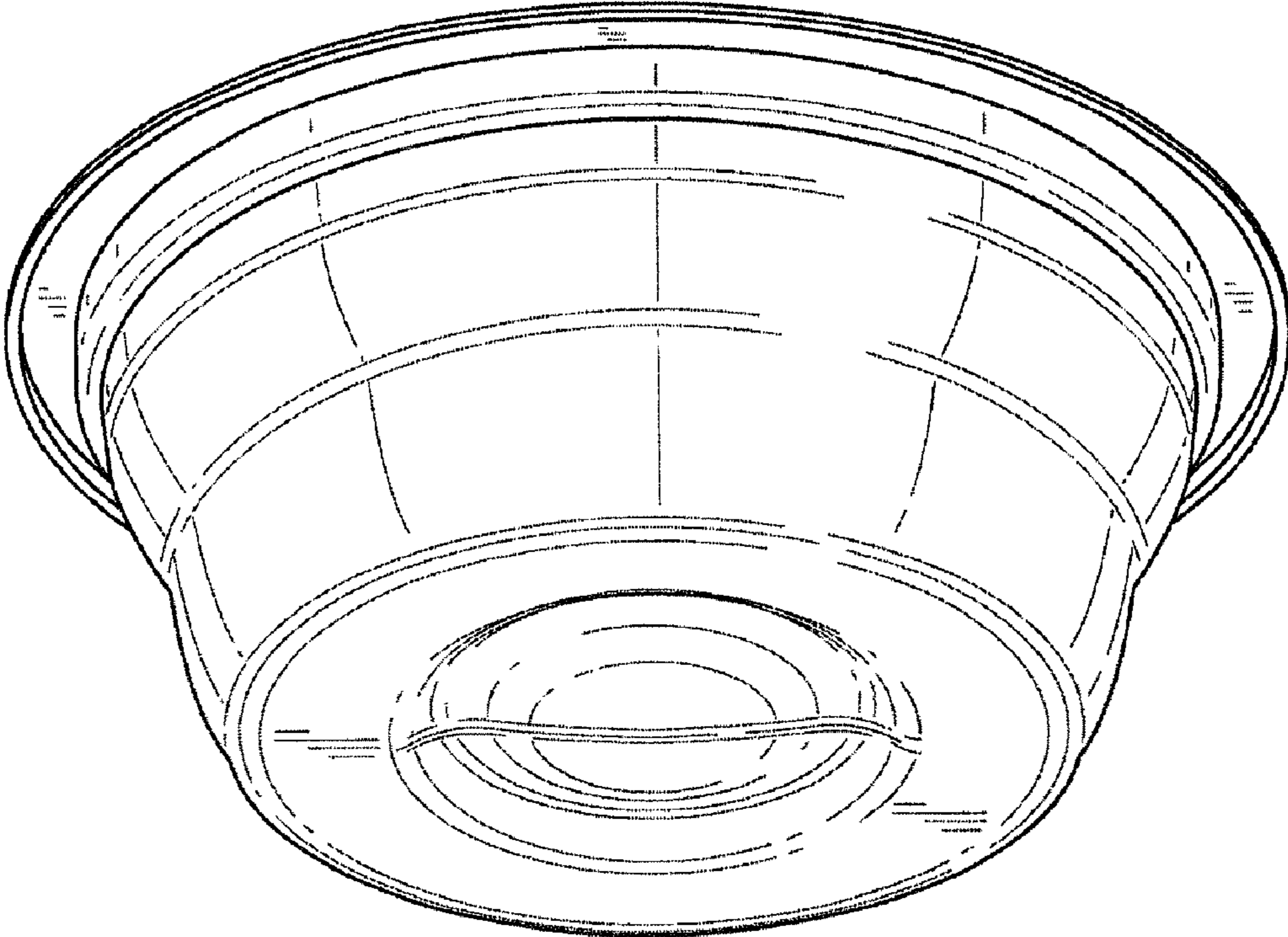


FIG.2

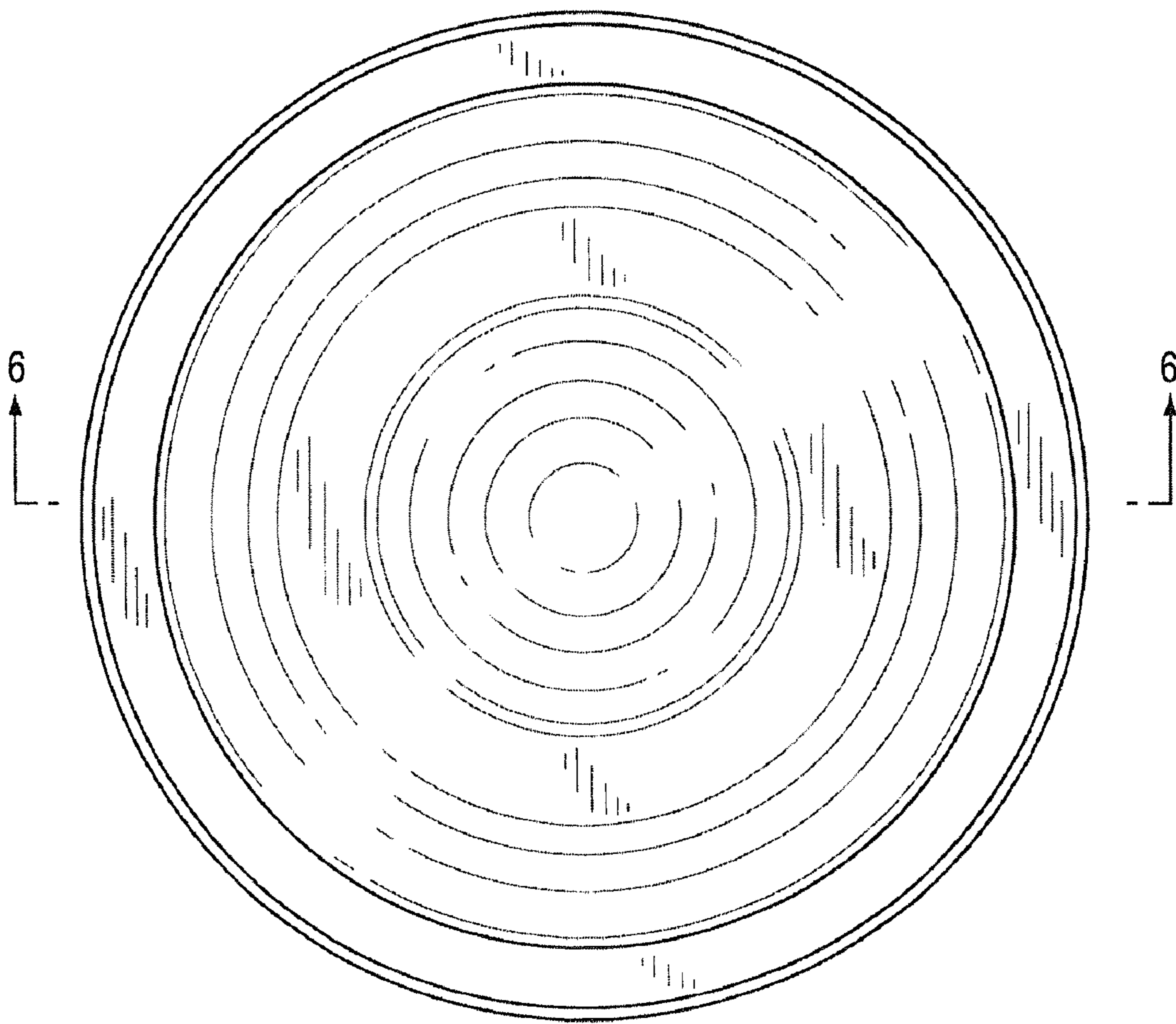


FIG.3

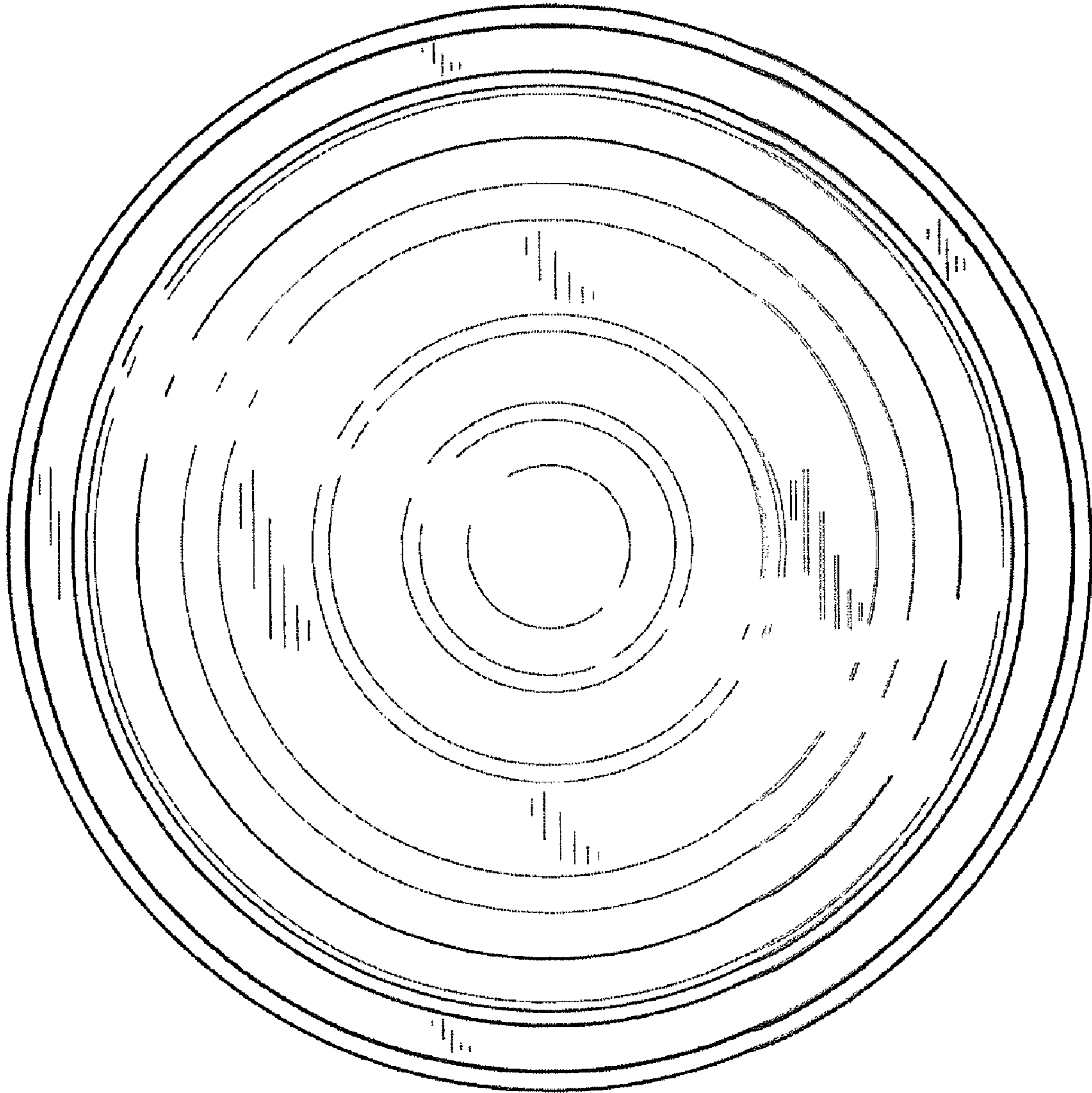


FIG. 4

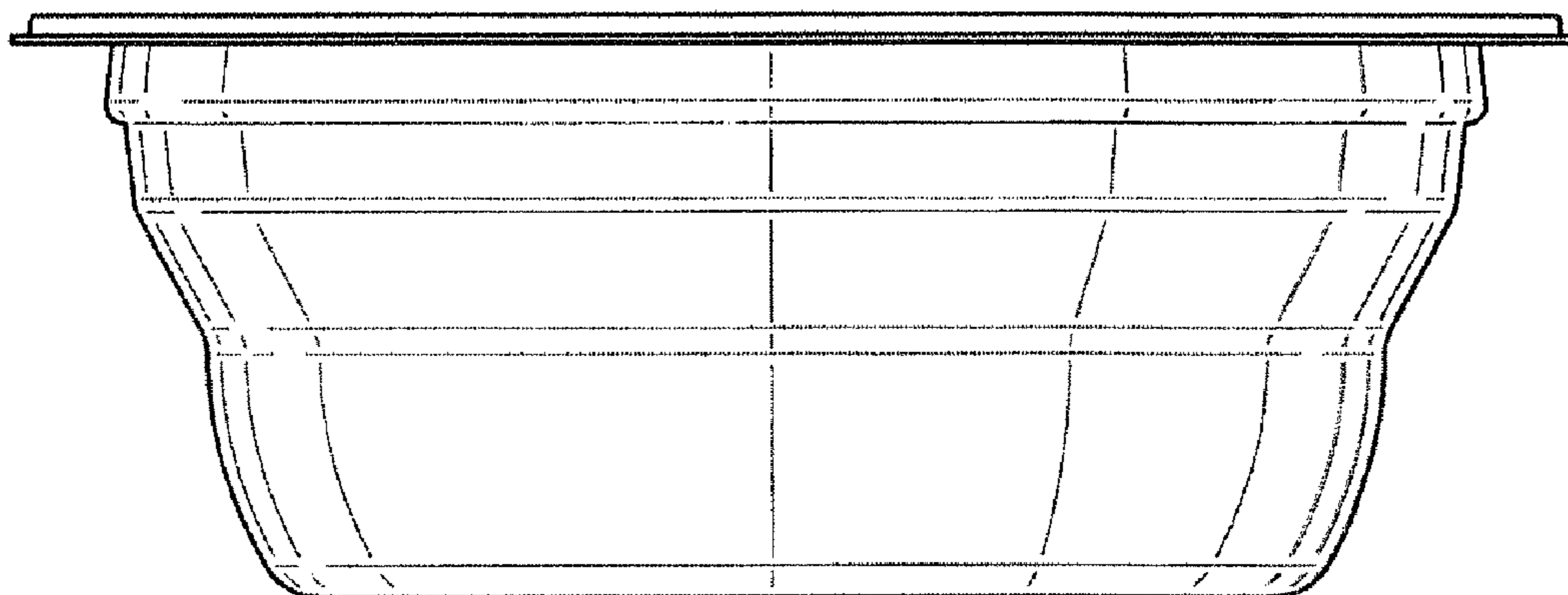


FIG. 5

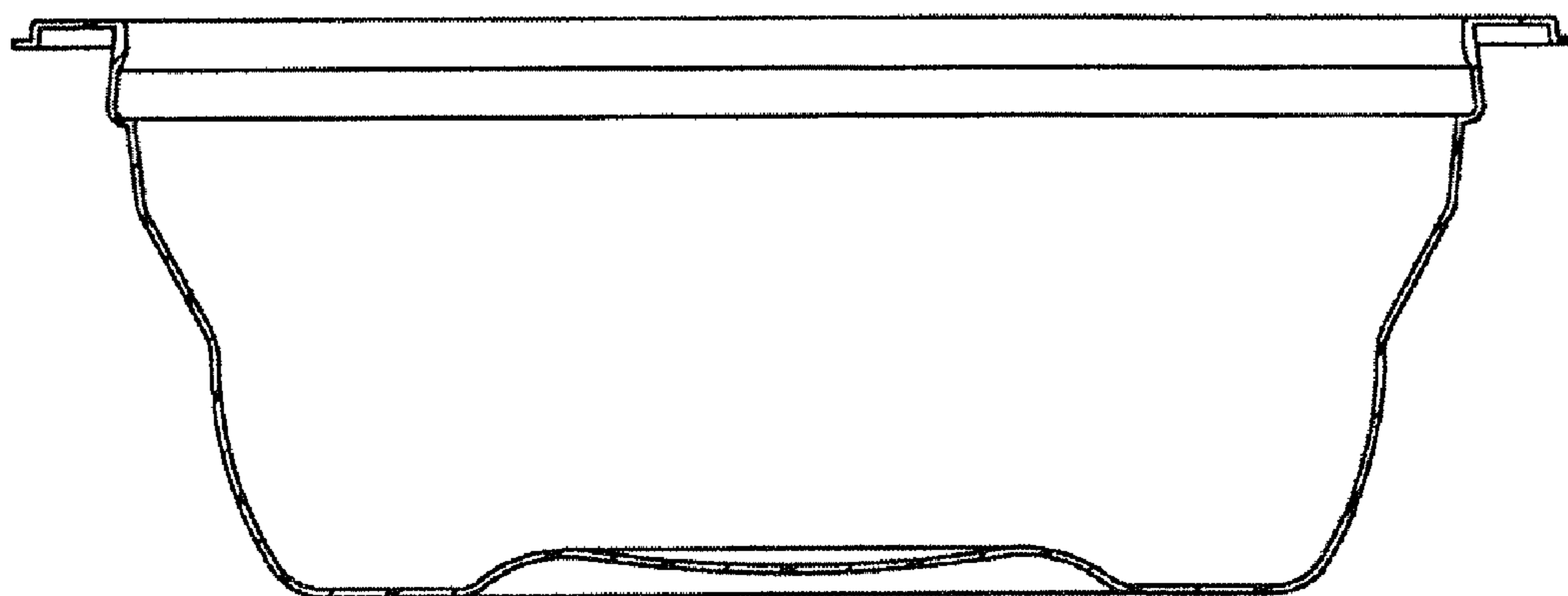


FIG. 6