



US00D591588S

(12) **United States Design Patent**  
**Nishide et al.**

(10) **Patent No.:** **US D591,588 S**

(45) **Date of Patent:** **\*\* May 5, 2009**

(54) **FULL BOOT FOR TANDEM TYPE ROD END**

D459,732 S \* 7/2002 Sasaki et al. .... D15/3  
D561,575 S \* 2/2008 Nishide et al. .... D8/400  
D561,576 S \* 2/2008 Nishide et al. .... D8/400

(75) Inventors: **Tetsuhiro Nishide**, Tokyo (JP);  
**Toshihisa Sakamoto**, Tokyo (JP)

\* cited by examiner

(73) Assignee: **THK Co., Ltd.**, Tokyo (JP)

*Primary Examiner*—Cathron C Brooks

*Assistant Examiner*—Barbara Fox

(\*\*) Term: **14 Years**

(74) *Attorney, Agent, or Firm*—Young & Thompson

(21) Appl. No.: **29/274,119**

(57) **CLAIM**

(22) Filed: **Mar. 29, 2007**

The ornamental design for a full boot for tandem type rod end, as shown and described.

(30) **Foreign Application Priority Data**

Sep. 29, 2006 (JP) ..... 2006-026386

**DESCRIPTION**

(51) **LOC (9) Cl.** ..... **08-09**

FIG. 1 is a front view of a full boot for tandem type rod end, showing our new design;

(52) **U.S. Cl.** ..... **D8/400**

FIG. 2 is a rear view thereof;

(58) **Field of Classification Search** ..... D8/400,  
D8/499; D12/174, 179–180, 110, 111, 114;  
D15/3, 143, 138; 188/266.1, 266.2, 281,  
188/284, 290, 306, 308, 310; 280/271, 272,  
280/270, 276

FIG. 3 is a top plan view thereof;

FIG. 4 is a bottom plan view thereof;

FIG. 5 is a view thereof from the right of FIG. 1;

FIG. 6 is a view thereof from the left of FIG. 1;

FIG. 7 is a cross-sectional view taken on the line 7—7 of FIG. 3; and,

See application file for complete search history.

FIG. 8 is a perspective view thereof, with an additional rod end shown in a connected position.

(56) **References Cited**

**U.S. PATENT DOCUMENTS**

2,478,660 A \* 8/1949 Keahey ..... 384/211  
D218,226 S \* 8/1970 Painaud ..... D8/499  
3,900,294 A \* 8/1975 McCloskey ..... 29/898.051  
D326,408 S \* 5/1992 Smith ..... D8/499  
D443,285 S \* 6/2001 Sasaki et al. .... D15/143  
D447,157 S \* 8/2001 Sasaki et al. .... D15/143

The broken lines shown in FIG. 8 illustrate a second rod end in a connected position, and environmental structure, and form no part of the claimed design.

**1 Claim, 4 Drawing Sheets**

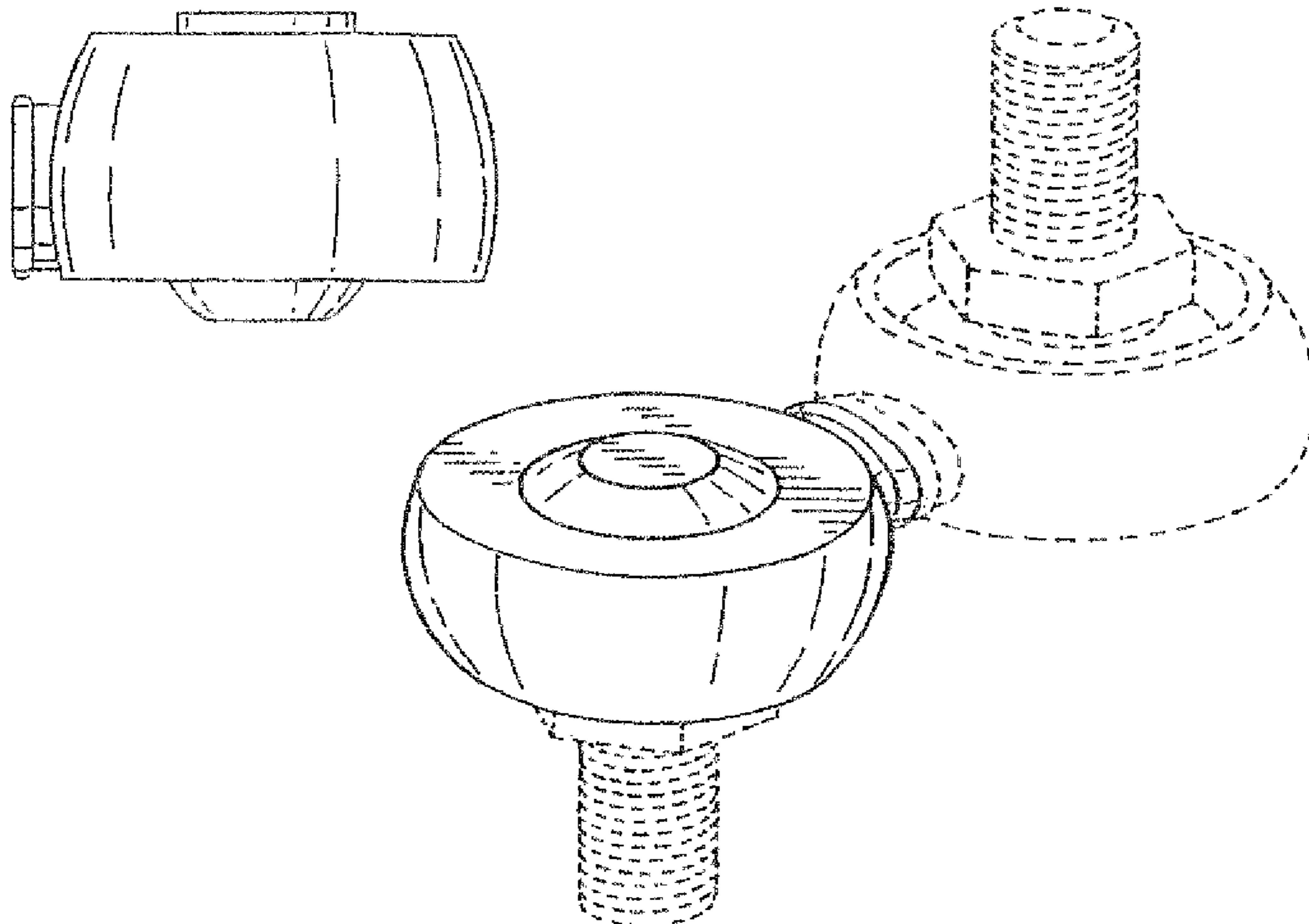


FIG.1

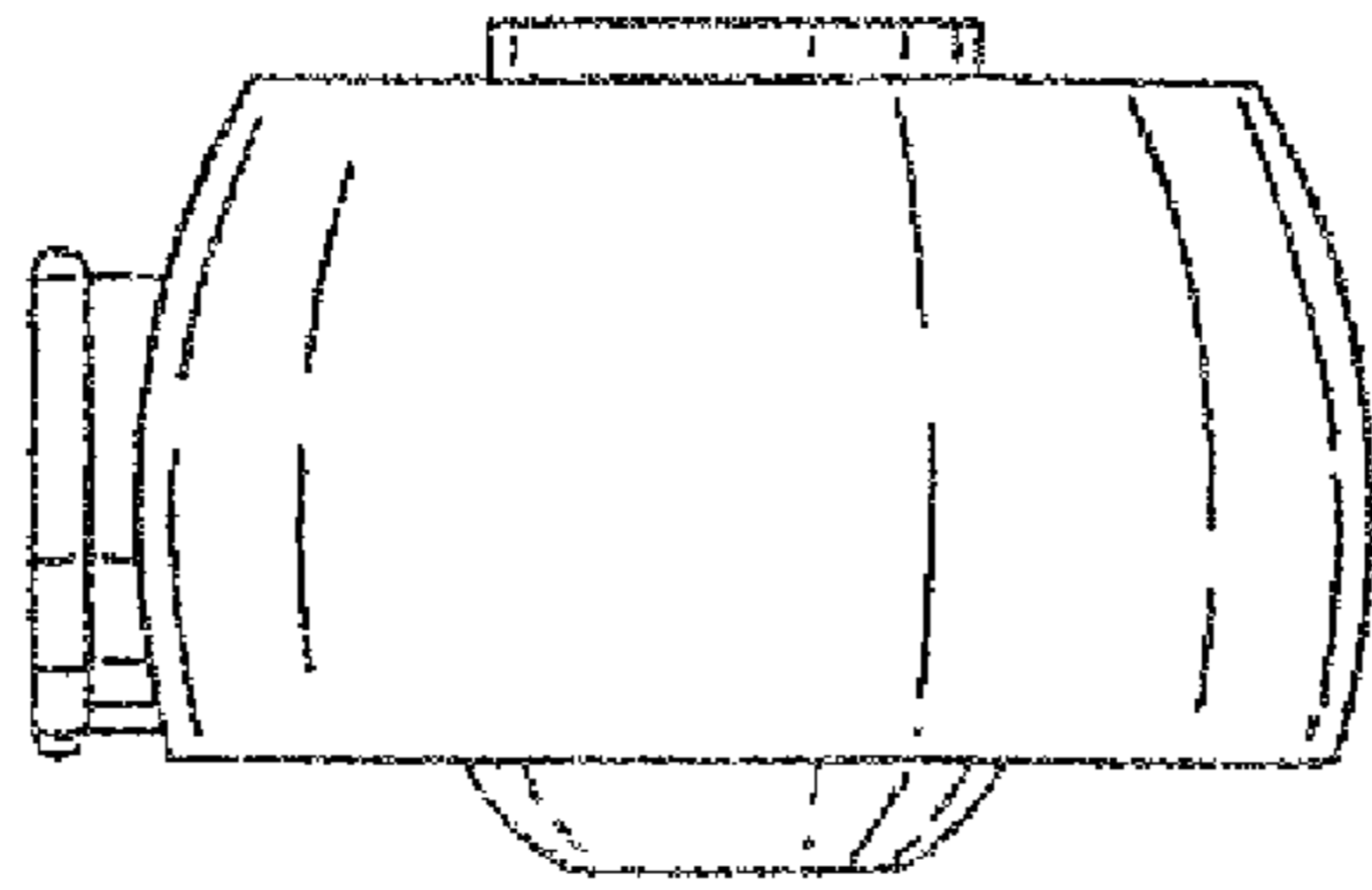


FIG.2

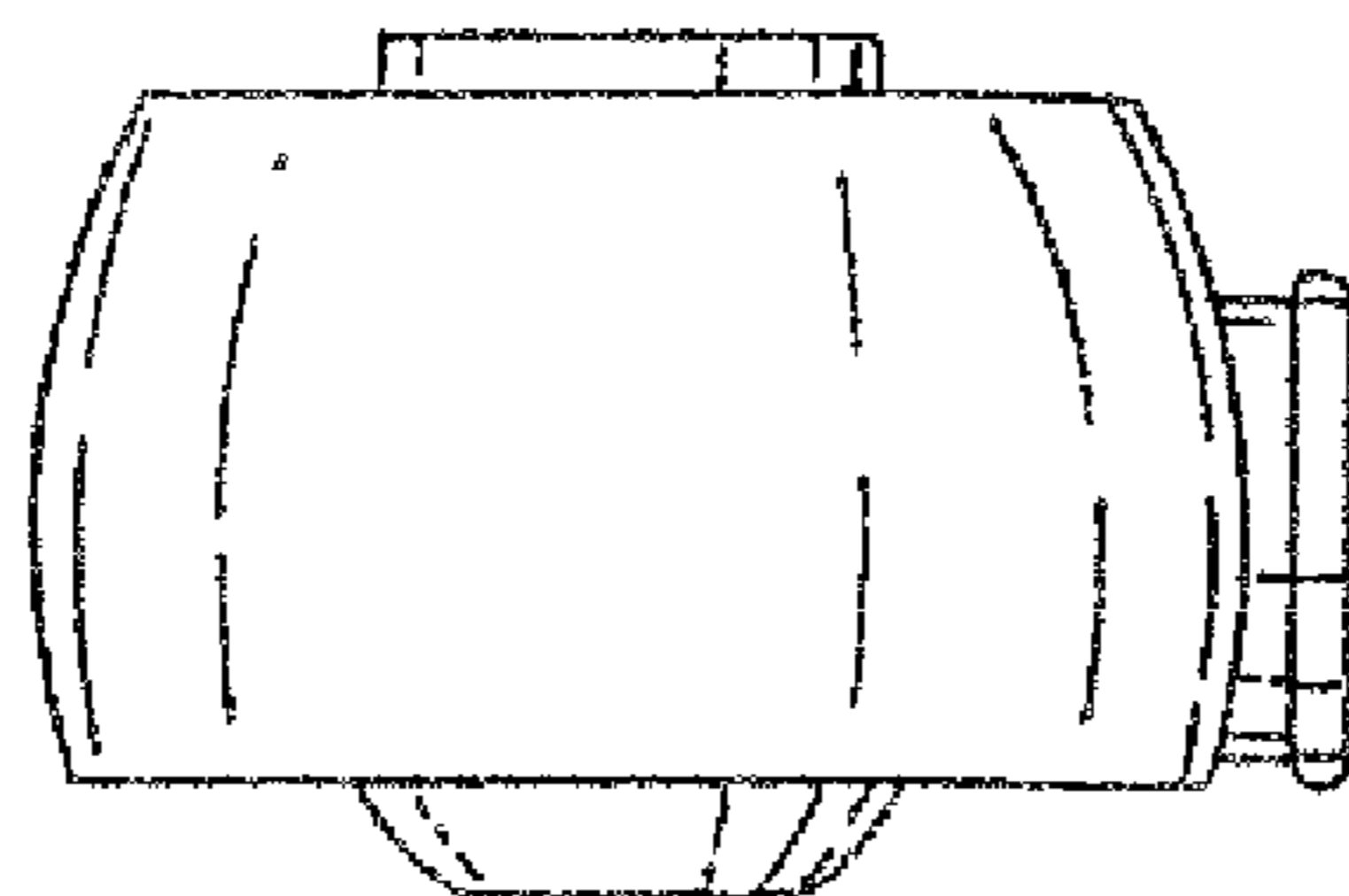


FIG. 3

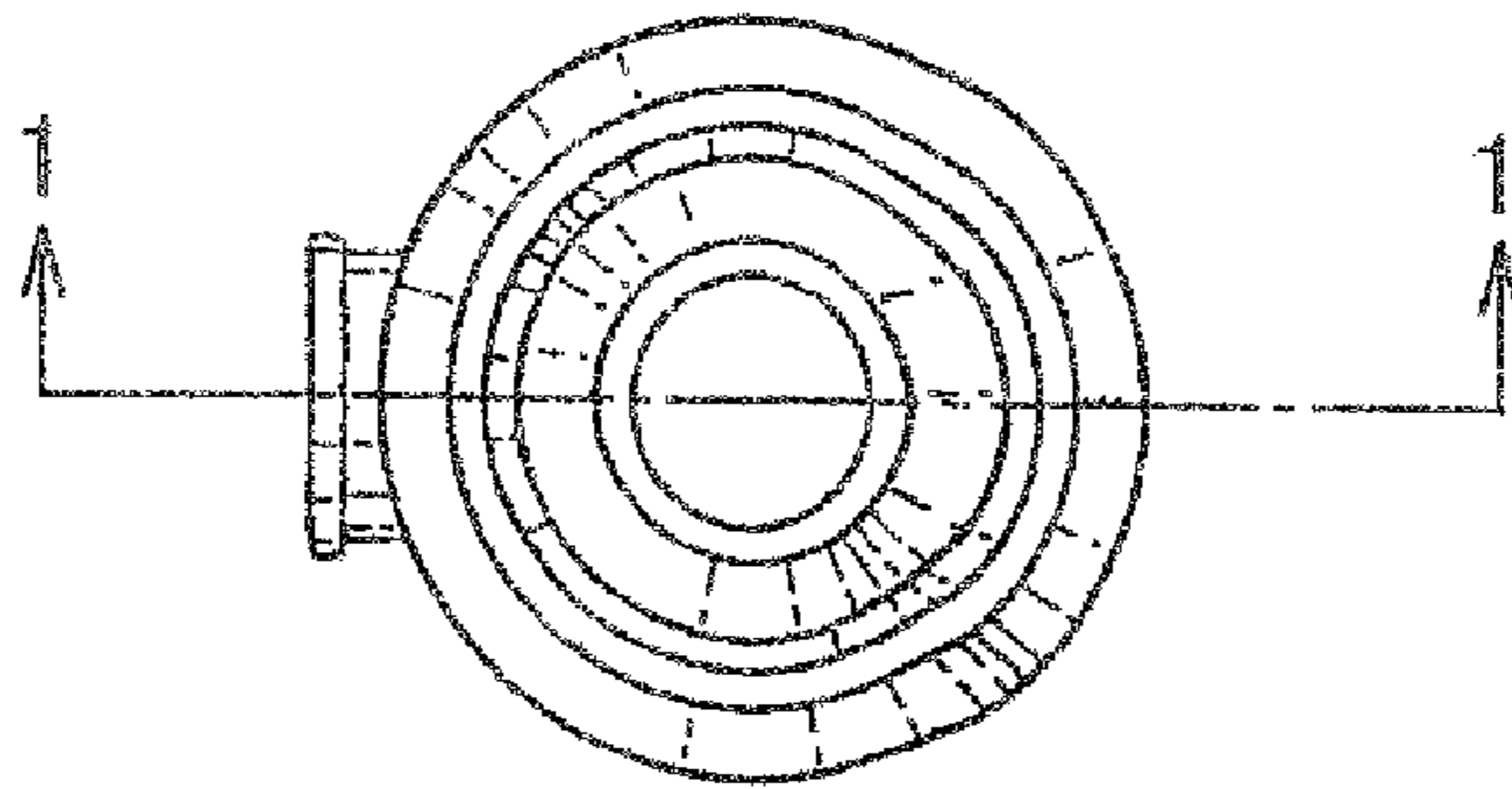


FIG. 4

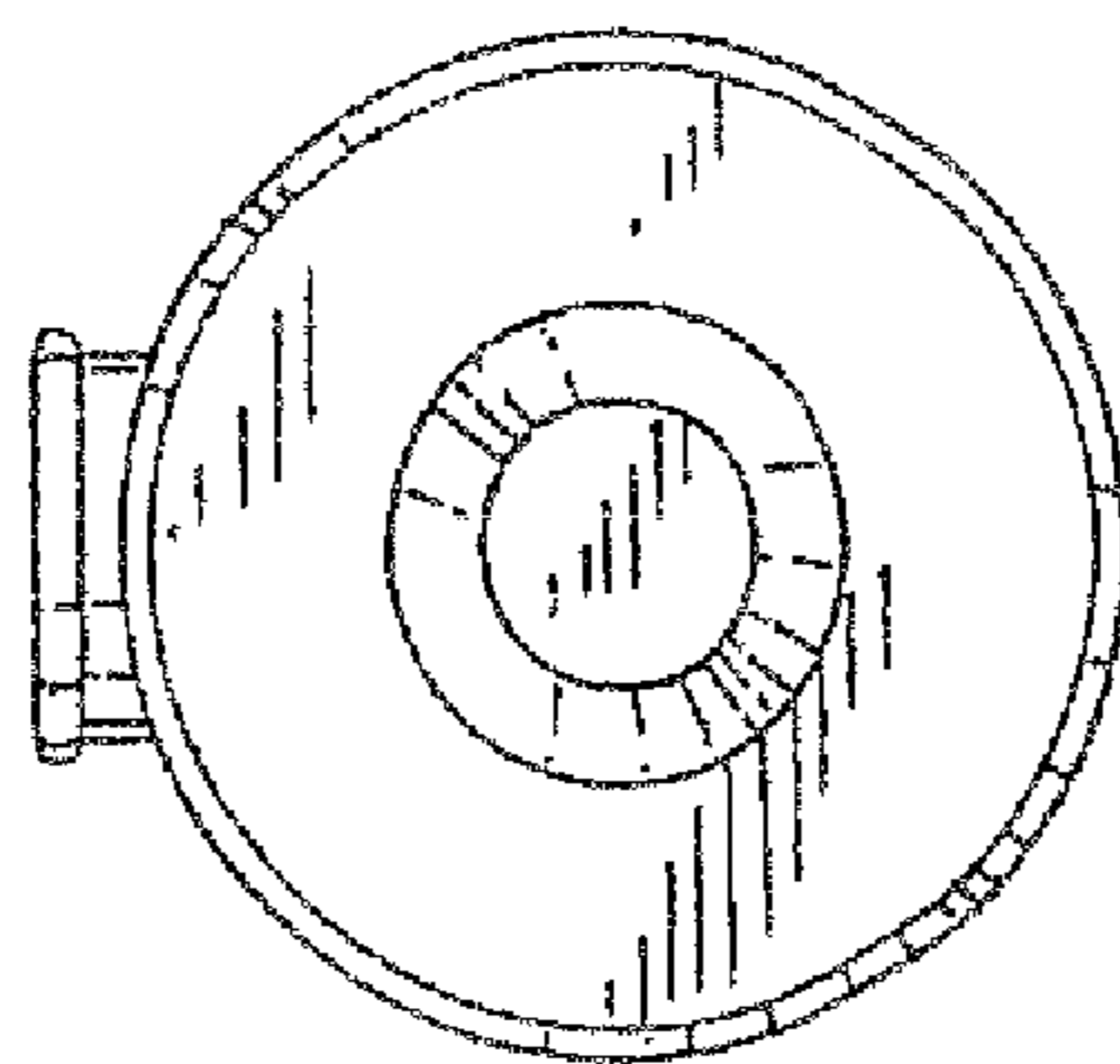


FIG.5

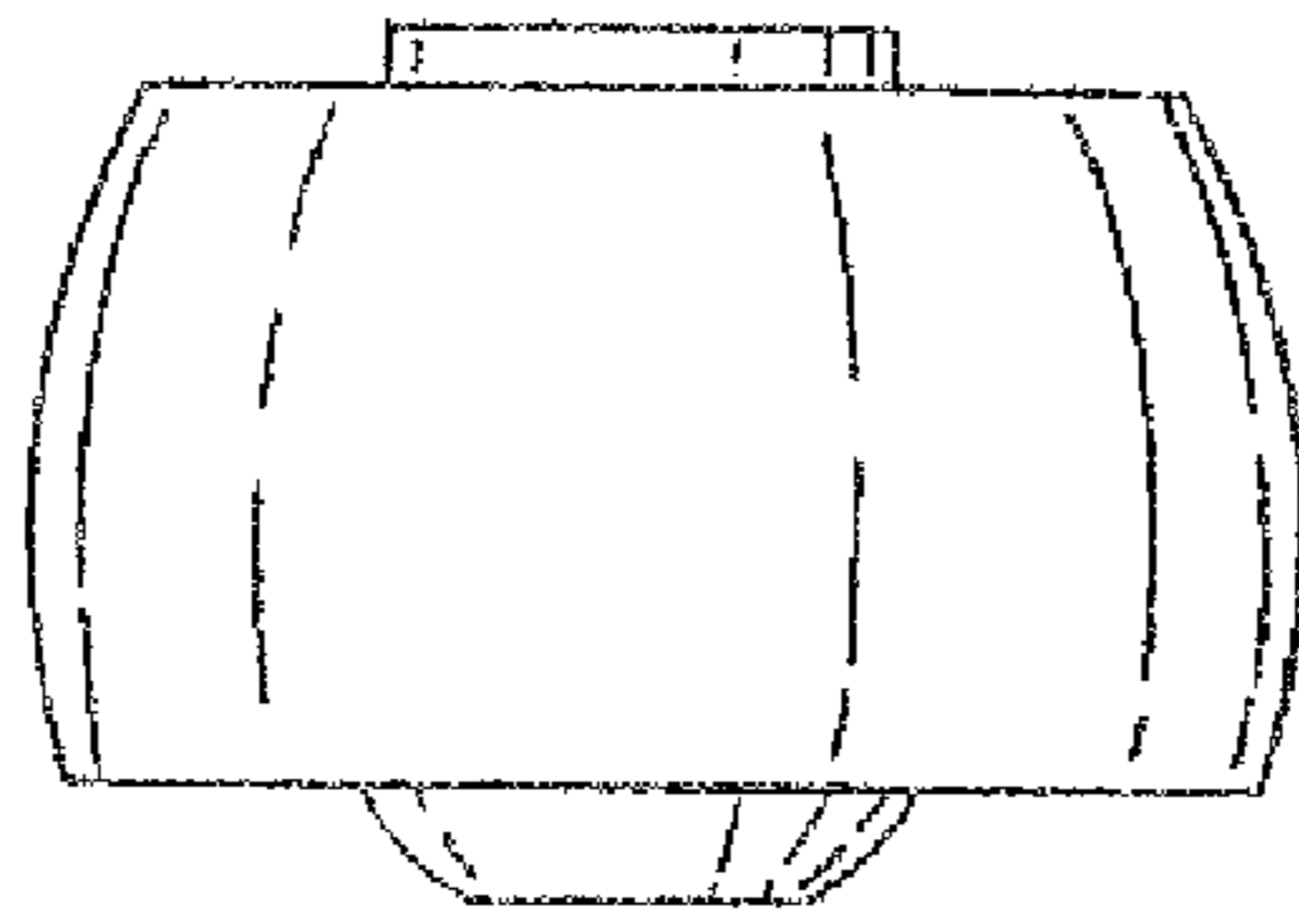


FIG.6

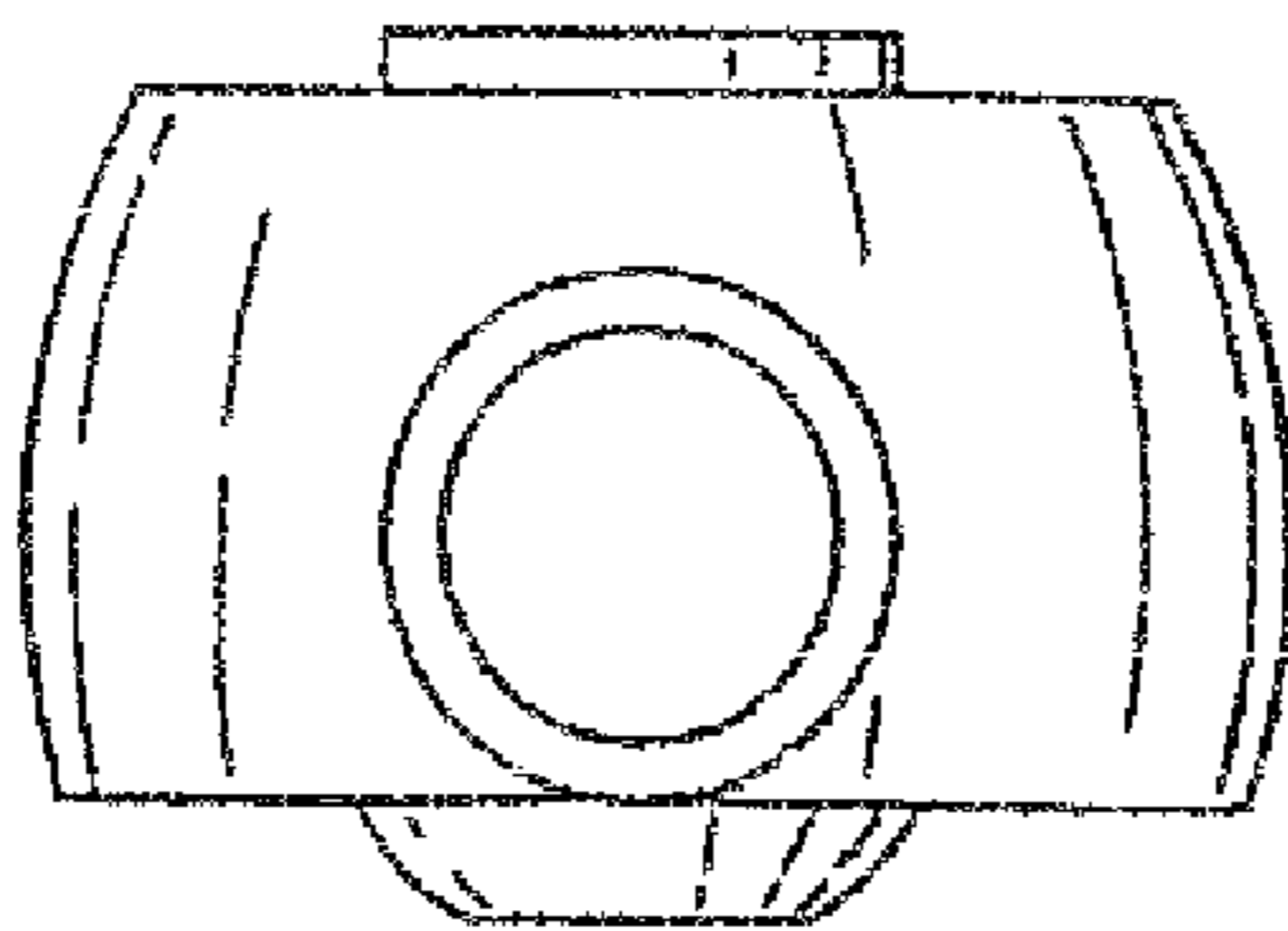


FIG. 7

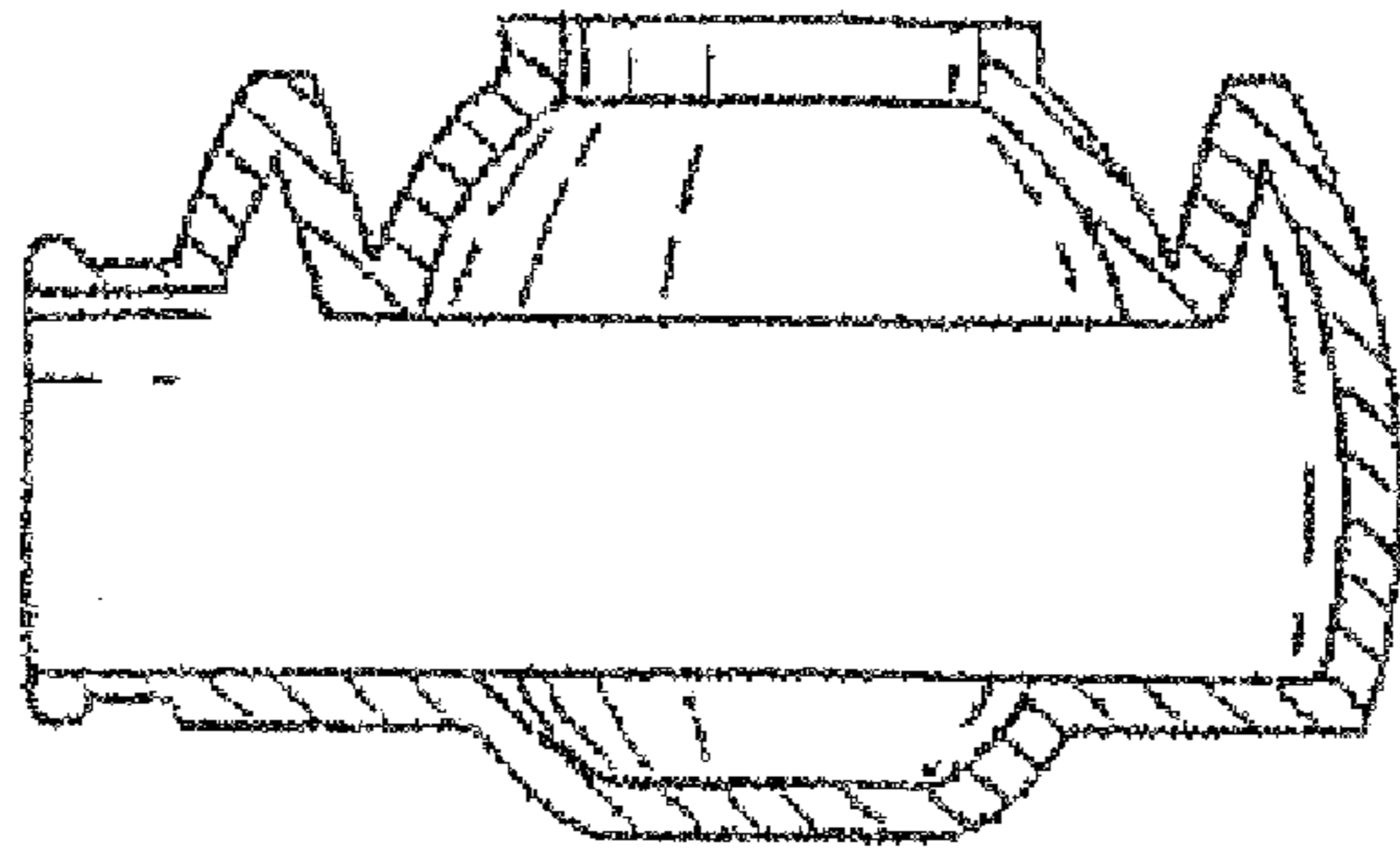


FIG. 8

