

US00D591586S

(12) **United States Design Patent**
Dagg

(10) **Patent No.:** **US D591,586 S**
(45) **Date of Patent:** **** May 5, 2009**

(54) **FRAME FITTING**

(75) Inventor: **Hayden Miles Dagg**, Charlestown (AU)

(73) Assignee: **Onesteel Trading Pty Limited**, Sydney, NSW (AU)

(**) Term: **14 Years**

(21) Appl. No.: **29/324,746**

(22) Filed: **Sep. 19, 2008**

Related U.S. Application Data

(62) Division of application No. 29/302,393, filed on Jan. 16, 2008, now Pat. No. Des. 583,219, which is a division of application No. 29/230,330, filed on May 19, 2005, now Pat. No. Des. 563,776.

(30) **Foreign Application Priority Data**

Nov. 19, 2004 (AU) 15380/2004
Nov. 19, 2004 (AU) 15381/2004
Nov. 19, 2004 (AU) 15382/2004
Nov. 19, 2004 (AU) 15383/2004

(51) **LOC (9) Cl.** **08-08**

(52) **U.S. Cl.** **D8/382**

(58) **Field of Classification Search** D8/382,
D8/349, 354; 52/656.4, 317, 665
See application file for complete search history.

(56) **References Cited**

U.S. PATENT DOCUMENTS

3,769,773 A * 11/1973 Mochizuki 52/656.4

4,007,570 A * 2/1977 Hunter 52/317
4,586,310 A * 5/1986 Baril et al. 52/665
4,993,866 A * 2/1991 Sugihara et al. 403/402
D379,295 S * 5/1997 Kopish D8/349
D422,715 S * 4/2000 Chaney et al. D25/38
D423,325 S * 4/2000 Liss D8/349
D457,052 S * 5/2002 Snyder D8/349
D498,951 S * 11/2004 Yamaguchi D6/499
D506,381 S * 6/2005 Lu D8/349

* cited by examiner

Primary Examiner—Holly H Baynham

(74) *Attorney, Agent, or Firm*—Ladas & Parry LLP

(57) **CLAIM**

I claim the ornamental design for a frame fitting, as shown and described.

DESCRIPTION

FIG. 1 is a perspective view of a frame fitting showing a first embodiment of my new design;

FIG. 2 is a front view of FIG. 1;

FIG. 3 is a left side view of FIG. 1;

FIG. 4 is a top view of FIG. 1;

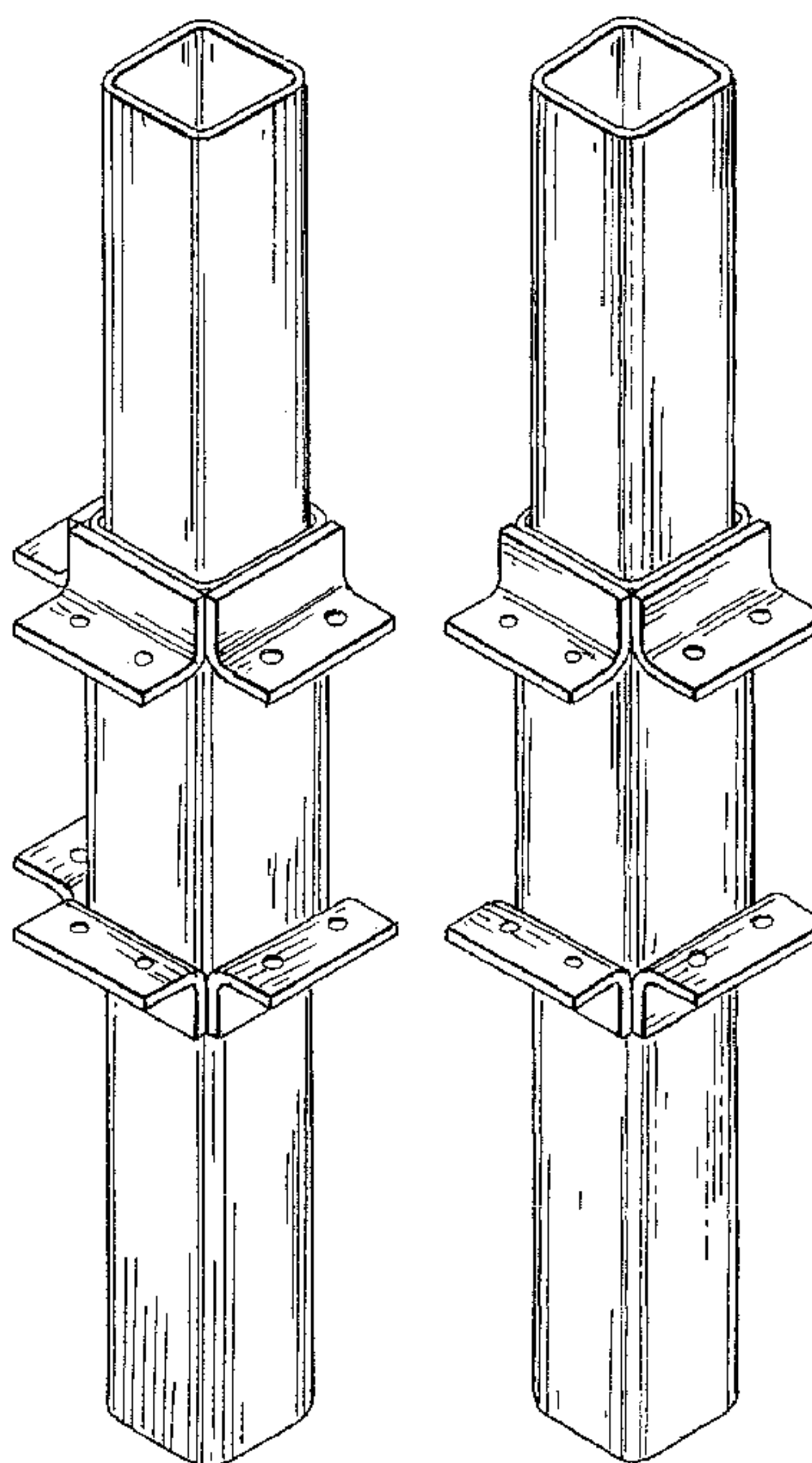
FIG. 5 is a perspective view of a frame fitting showing a second embodiment of my new design;

FIG. 6 is a front view of FIG. 5;

FIG. 7 is a left side view of FIG. 5; and,

FIG. 8 is a top view of FIG. 5.

1 Claim, 2 Drawing Sheets



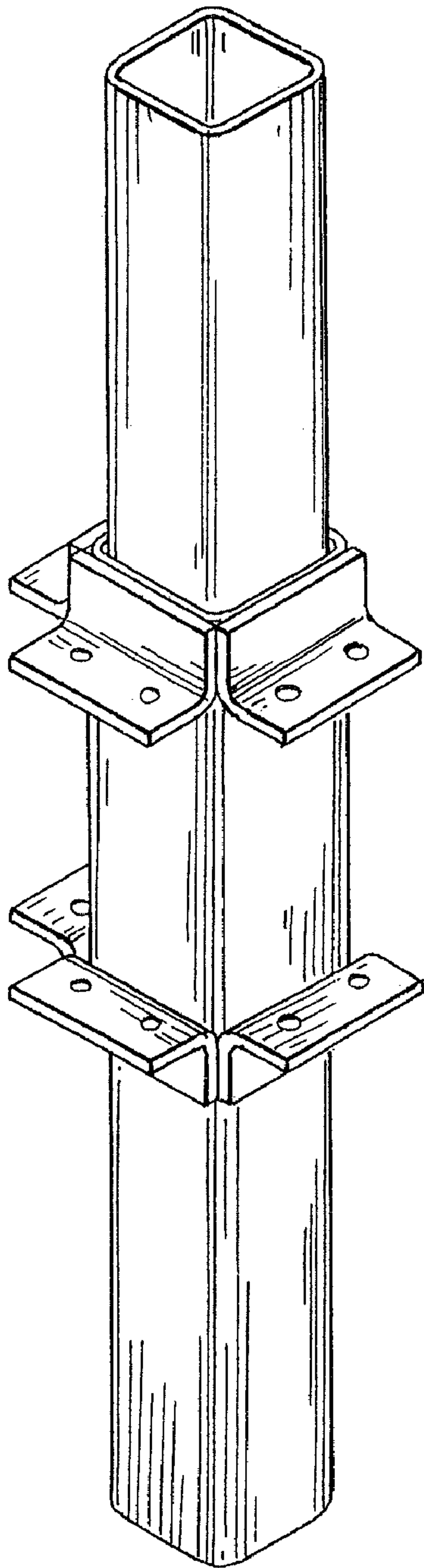


FIG. 1

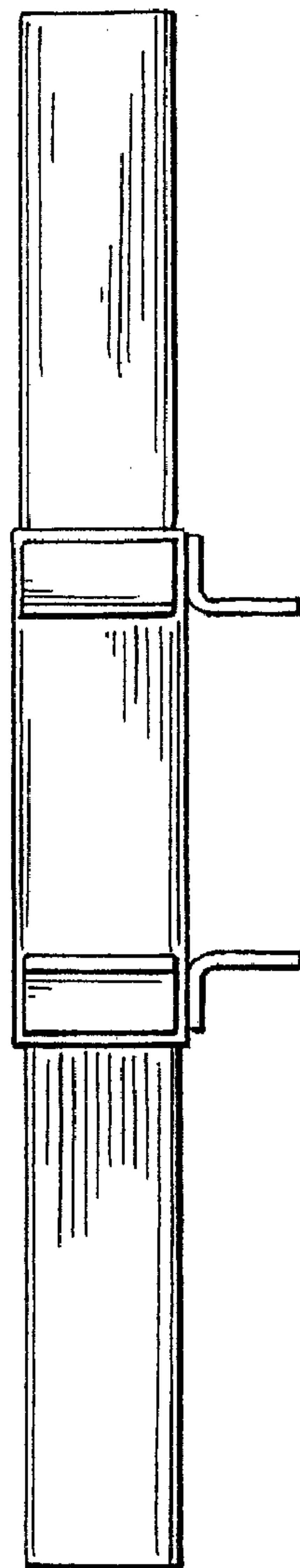


FIG. 3

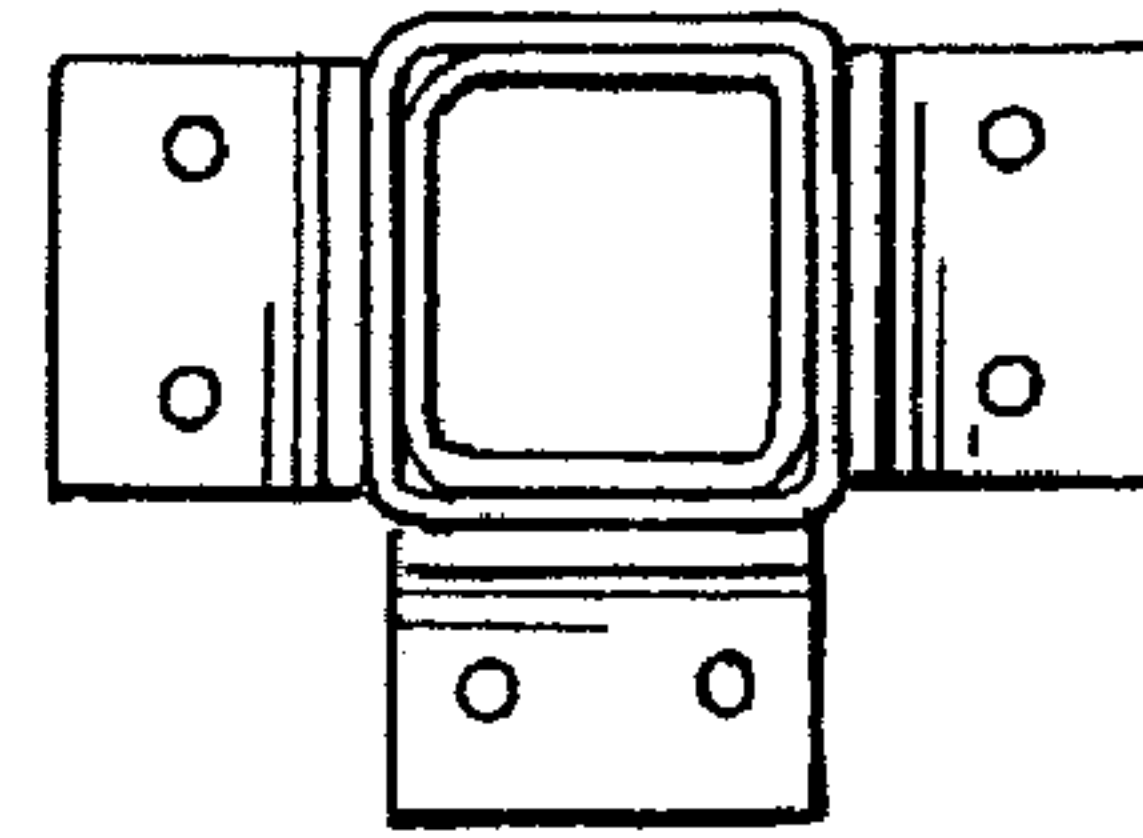


FIG. 4

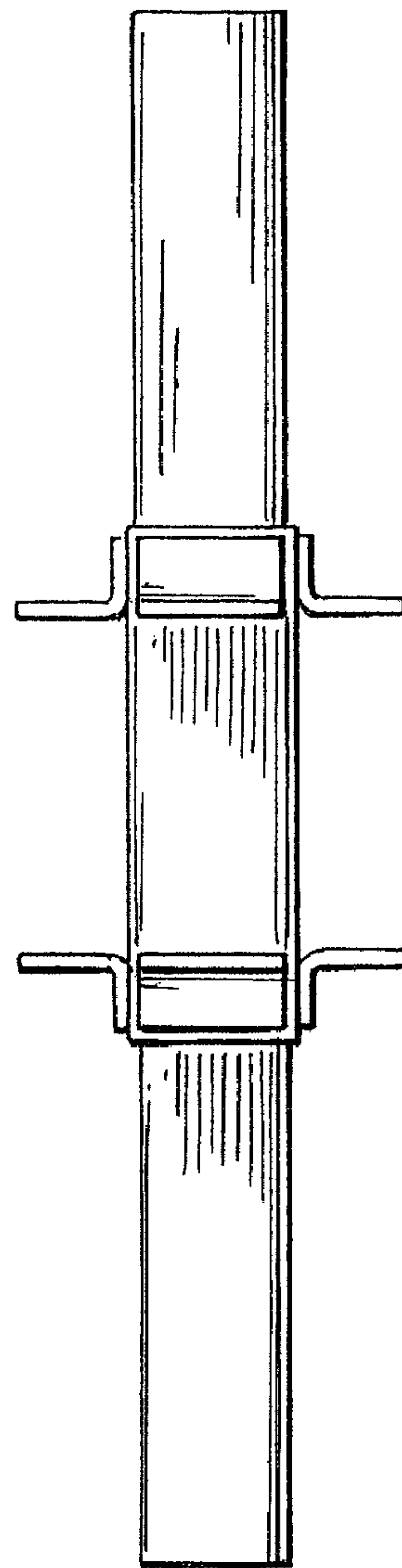


FIG. 2

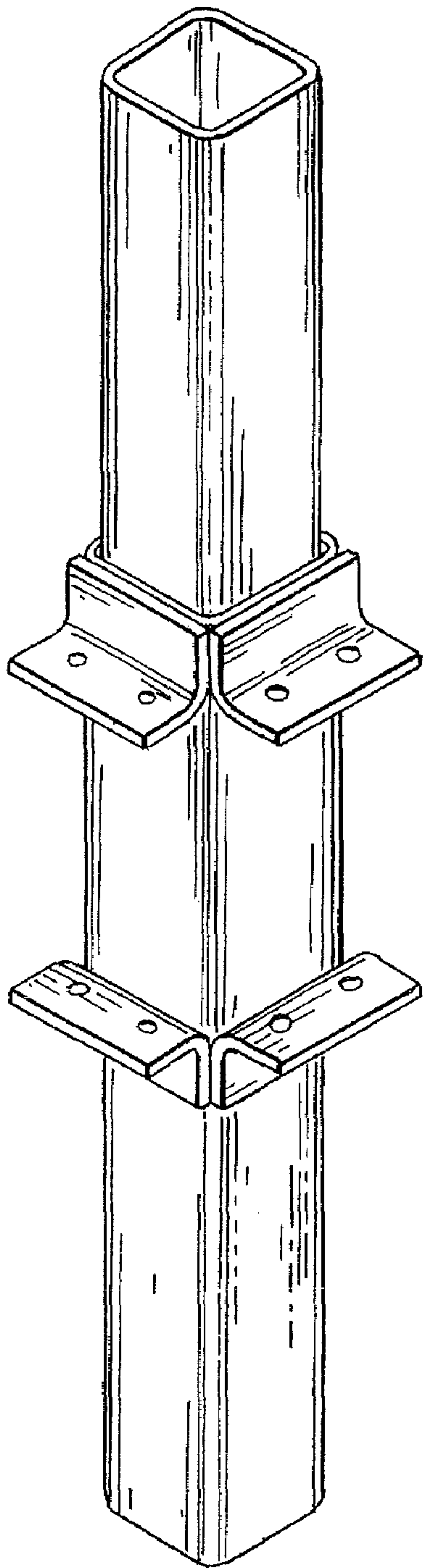


FIG. 5

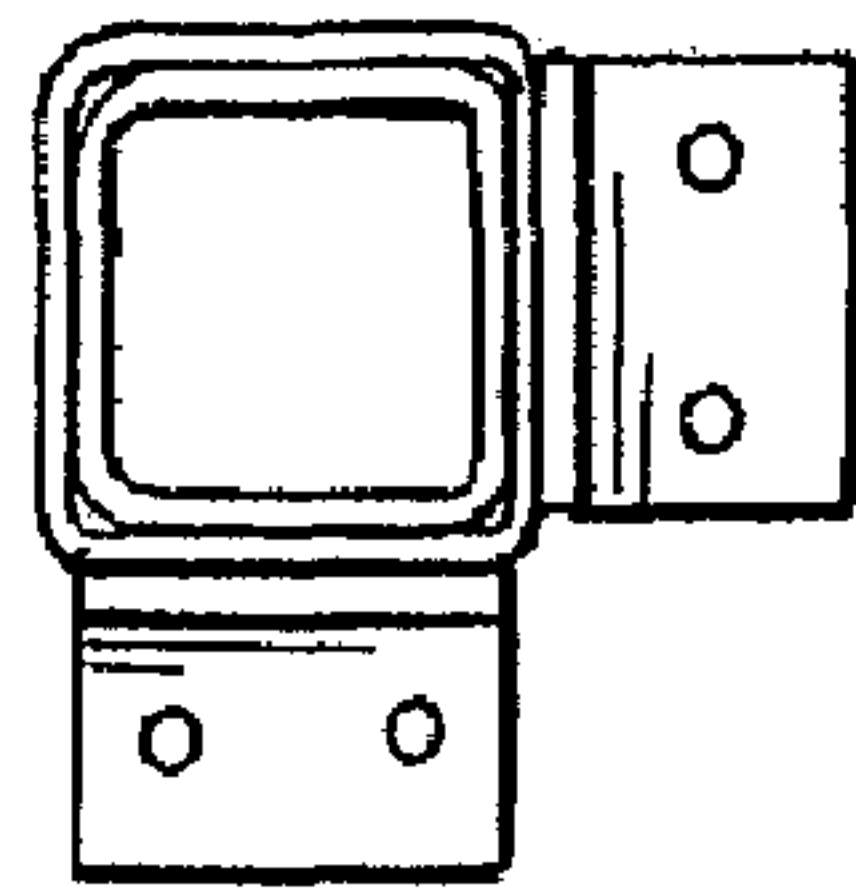


FIG. 8

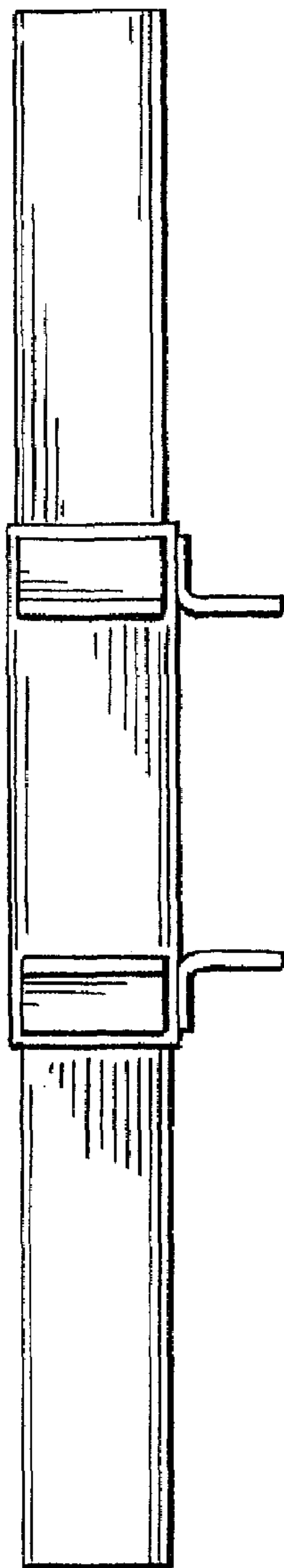


FIG. 7

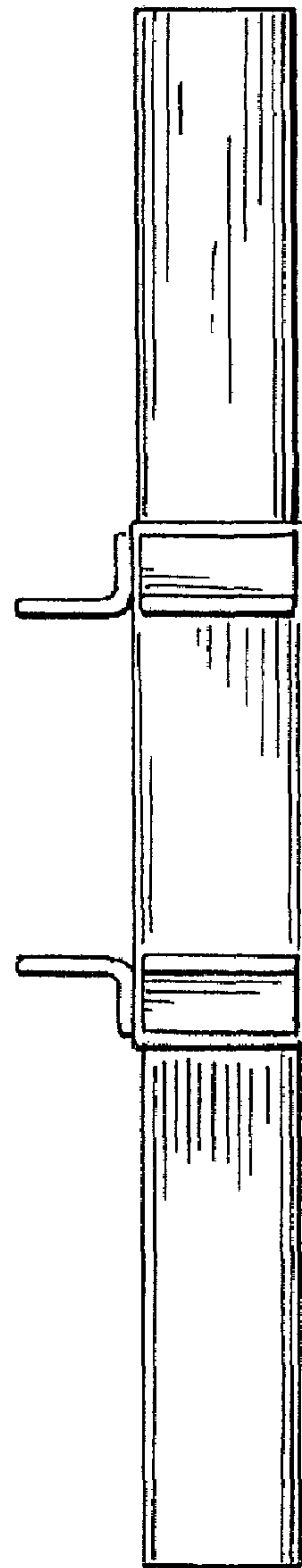


FIG. 6