



US00D591585S

(12) **United States Design Patent**
Hikai

(10) **Patent No.:** **US D591,585 S**

(45) **Date of Patent:** **** May 5, 2009**

(54) **FASTENING MEMBER**

JP 2005-232710 9/2005
JP 2007-085053 4/2007

(75) Inventor: **Satoshi Hikai**, Nagoya (JP)

* cited by examiner

(73) Assignee: **Nichiha Corporation**, Nagoya-shi (JP)

Primary Examiner—Holly H. Baynham
Assistant Examiner—Sheryl Lane

(**) Term: **14 Years**

(74) *Attorney, Agent, or Firm*—Kratz, Quintos & Hanson, LLP

(21) Appl. No.: **29/290,446**

(22) Filed: **Dec. 6, 2007**

(57) **CLAIM**

(51) **LOC (9) Cl.** **08-08**

The ornamental design for a fastening member, as shown and described.

(52) **U.S. Cl.** **D8/382**

(58) **Field of Classification Search** D8/382,
D8/354; 403/381, 14; 248/300

See application file for complete search history.

DESCRIPTION

(56) **References Cited**

FIG. 1 is a front elevational view of the fastening member of the present invention;

U.S. PATENT DOCUMENTS

FIG. 2 is a rear elevational view of the fastening member of FIG. 1;

- 4,570,404 A * 2/1986 Knudson 52/520
- 6,315,489 B1 * 11/2001 Watanabe 403/381
- 6,402,419 B1 * 6/2002 Watanabe 403/381
- 6,830,405 B2 * 12/2004 Watanabe 403/14
- 2001/0045075 A1 * 11/2001 Watanabe 52/712
- 2002/0046536 A1 * 4/2002 Hotta 52/698
- 2005/0102944 A1 * 5/2005 Hikai 52/511

FIG. 3 is a top view of the fastening member of FIG. 1;

FIG. 4 is a bottom view of the fastening member of FIG. 1;

FIG. 5 is a right side view of the fastening member of FIG. 1;

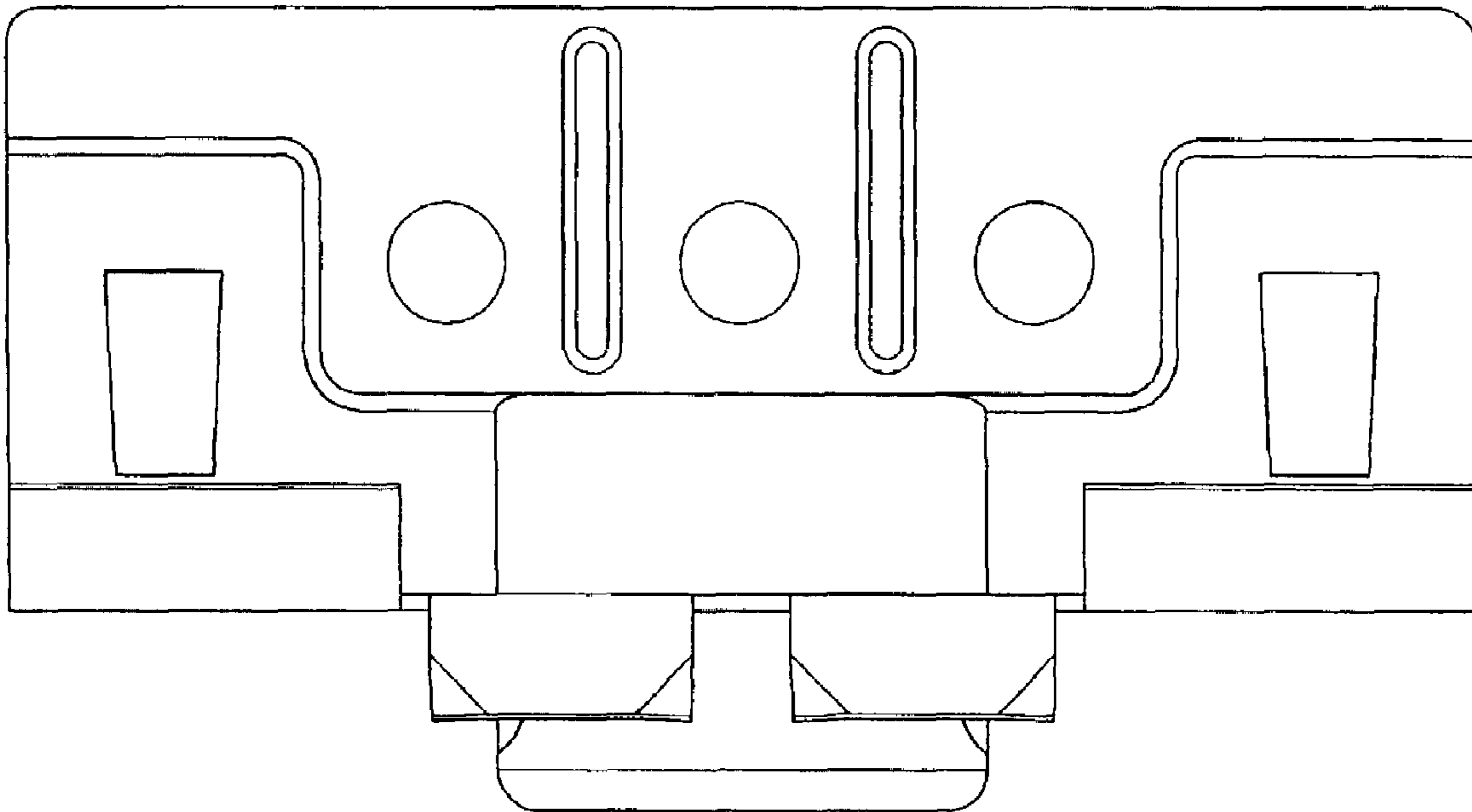
FIG. 6 is a left side view of the fastening member of FIG. 1; and,

FIG. 7 is a perspective view of the fastening member of FIG. 1.

FOREIGN PATENT DOCUMENTS

JP 2001-032500 2/2001

1 Claim, 7 Drawing Sheets



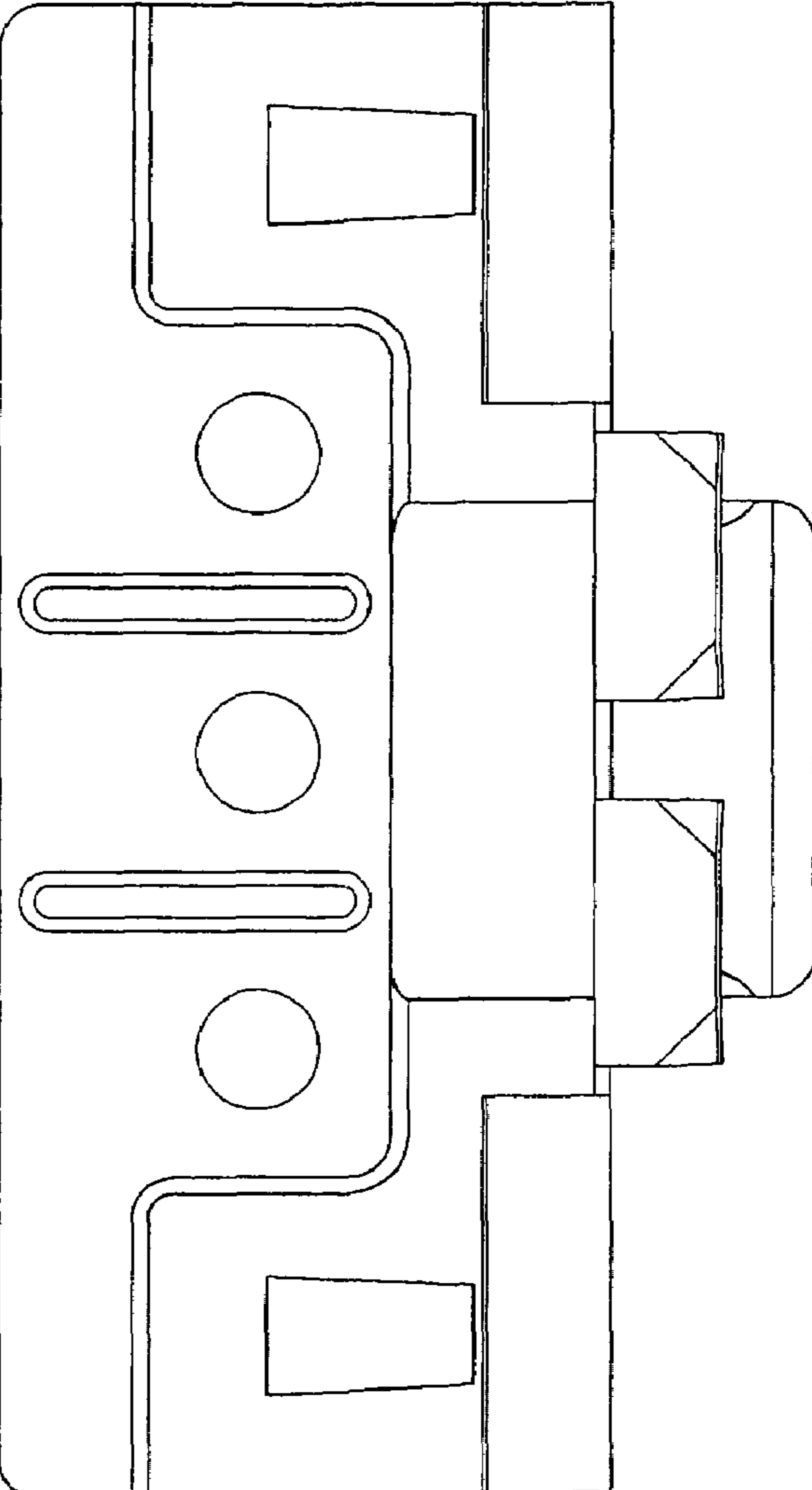


FIG. 1

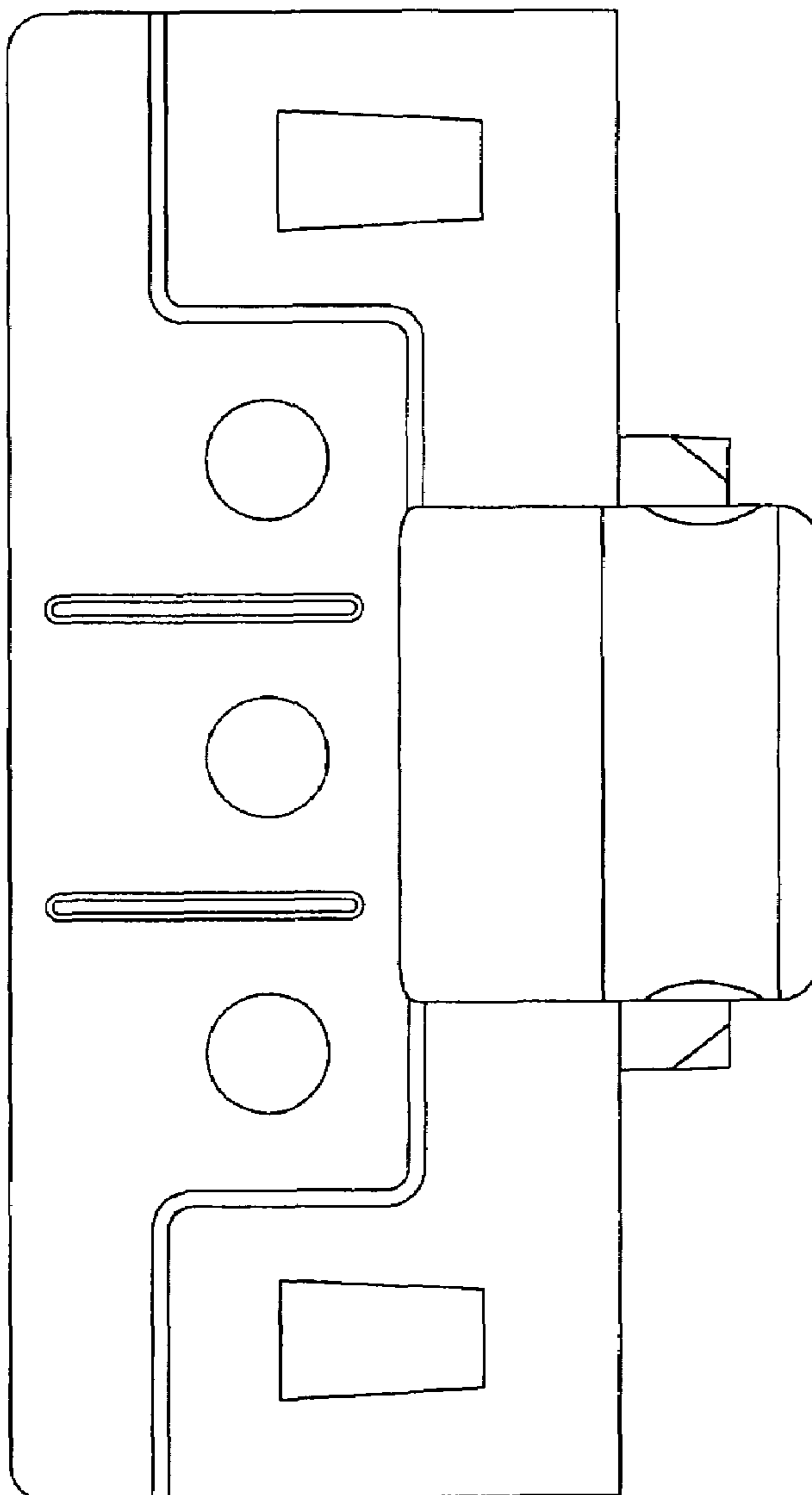
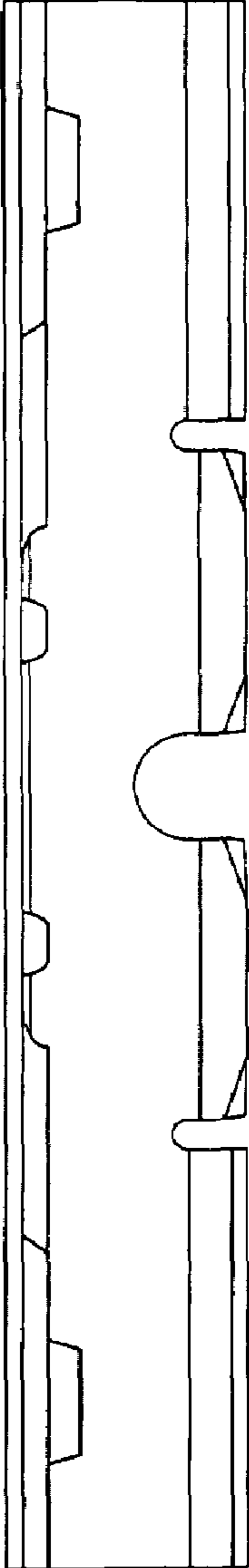


FIG.2

FIG.3



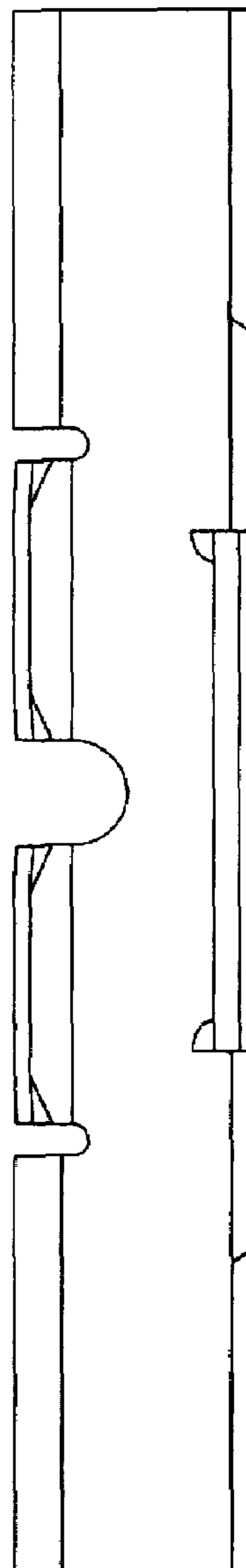


FIG.4

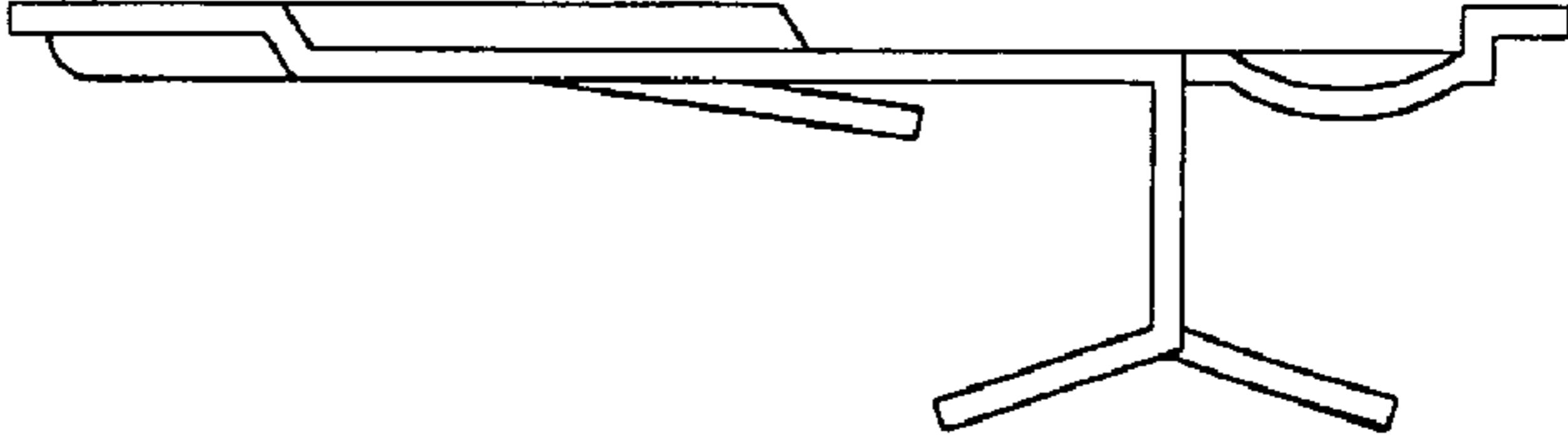


FIG. 5

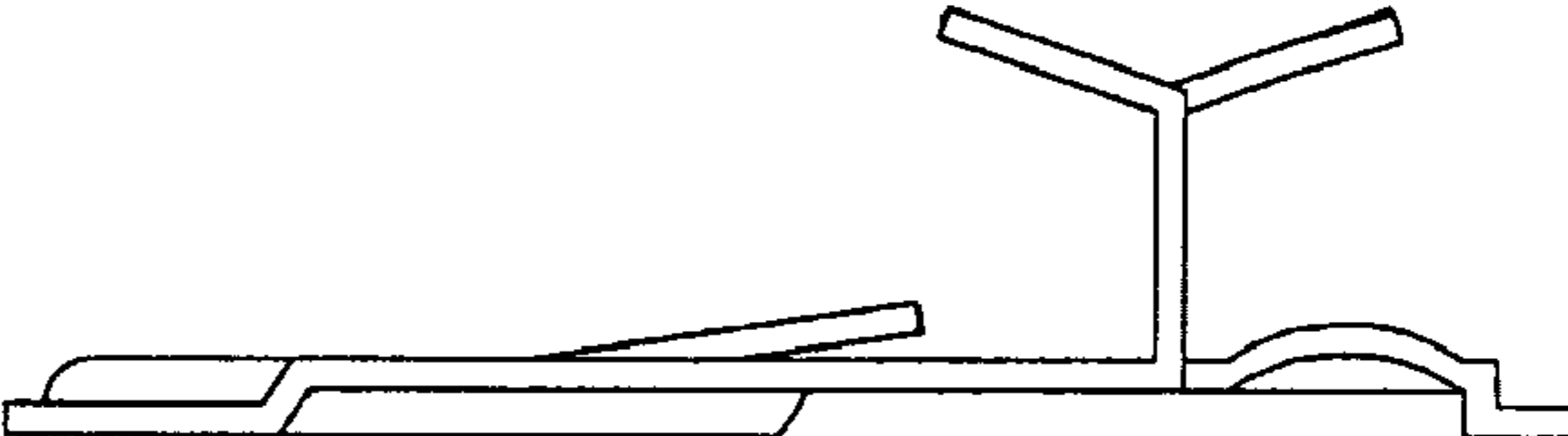


FIG.6

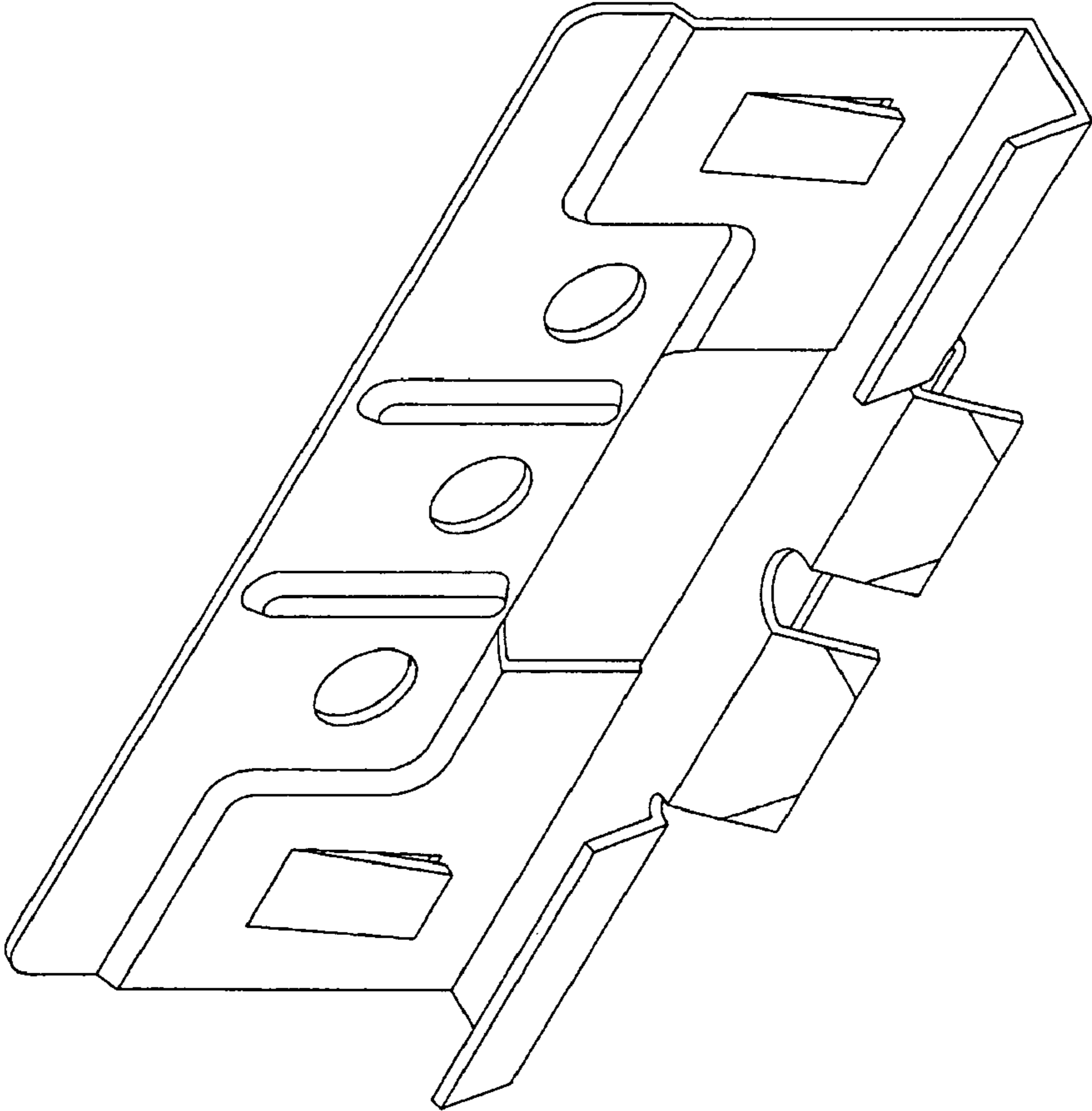


FIG. 7