



US00D591580S

(12) **United States Design Patent**  
**Hyde et al.**

(10) **Patent No.:** **US D591,580 S**  
(45) **Date of Patent:** **\*\* May 5, 2009**

(54) **BEADING TOOL**

(75) Inventors: **Brent K. Hyde**, Ottawa (CA); **Steven K. Jones**, Ottawa (CA)

(73) Assignee: **Lee Valley Tools, Ltd.**, Ottawa, Ontario (CA)

(\*\*) Term: **14 Years**

(21) Appl. No.: **29/306,229**

(22) Filed: **Apr. 4, 2008**

(51) **LOC (9) Cl.** ..... **08-03**  
(52) **U.S. Cl.** ..... **D8/101**  
(58) **Field of Classification Search** ..... D8/101,  
D8/51, 14, 98; 30/484, 491, 487, 488, 490  
See application file for complete search history.

(56) **References Cited**

U.S. PATENT DOCUMENTS

184 A	4/1837	Becksmith
17,111 A	4/1857	Packard
17,403 A	5/1857	Williams
20,855 A	7/1858	Bailey
23,927 A	5/1859	Tolman
30,071 A	9/1860	Leonard
32,617 A	6/1861	Colton
36,973 A	11/1862	Traut
40,437 A	10/1863	Tuells
55,599 A	9/1866	Bailey
141,475 A	8/1873	Traut
152,488 A	6/1874	Hawley
174,879 A	3/1876	Vetterlein
176,151 A	4/1876	Traut
234,038 A	11/1880	Johnson
240,076 A	4/1881	Bauer
245,093 A	8/1881	Reeder
257,870 A	5/1882	Humphrey
284,777 A	9/1883	Traut
319,161 A	6/1885	Poole
326,435 A	9/1885	Kendall et al.
335,856 A	2/1886	Traut
352,056 A	11/1886	Hilderbrand
356,429 A	1/1887	Stearns

357,898 A	2/1887	Benson
383,590 A	5/1888	Polhemus
406,392 A	7/1889	Finley
D22,208 S	2/1893	Schade
504,003 A	8/1893	Traut
555,228 A	2/1896	Traut

(Continued)

OTHER PUBLICATIONS

# 5 Windsor Beader, Kansas City Windsor Tool Works.

*Primary Examiner*—Philip S Hyder

(74) *Attorney, Agent, or Firm*—Kilpatrick Stockton LLP; John S. Pratt; Camilla C. Williams

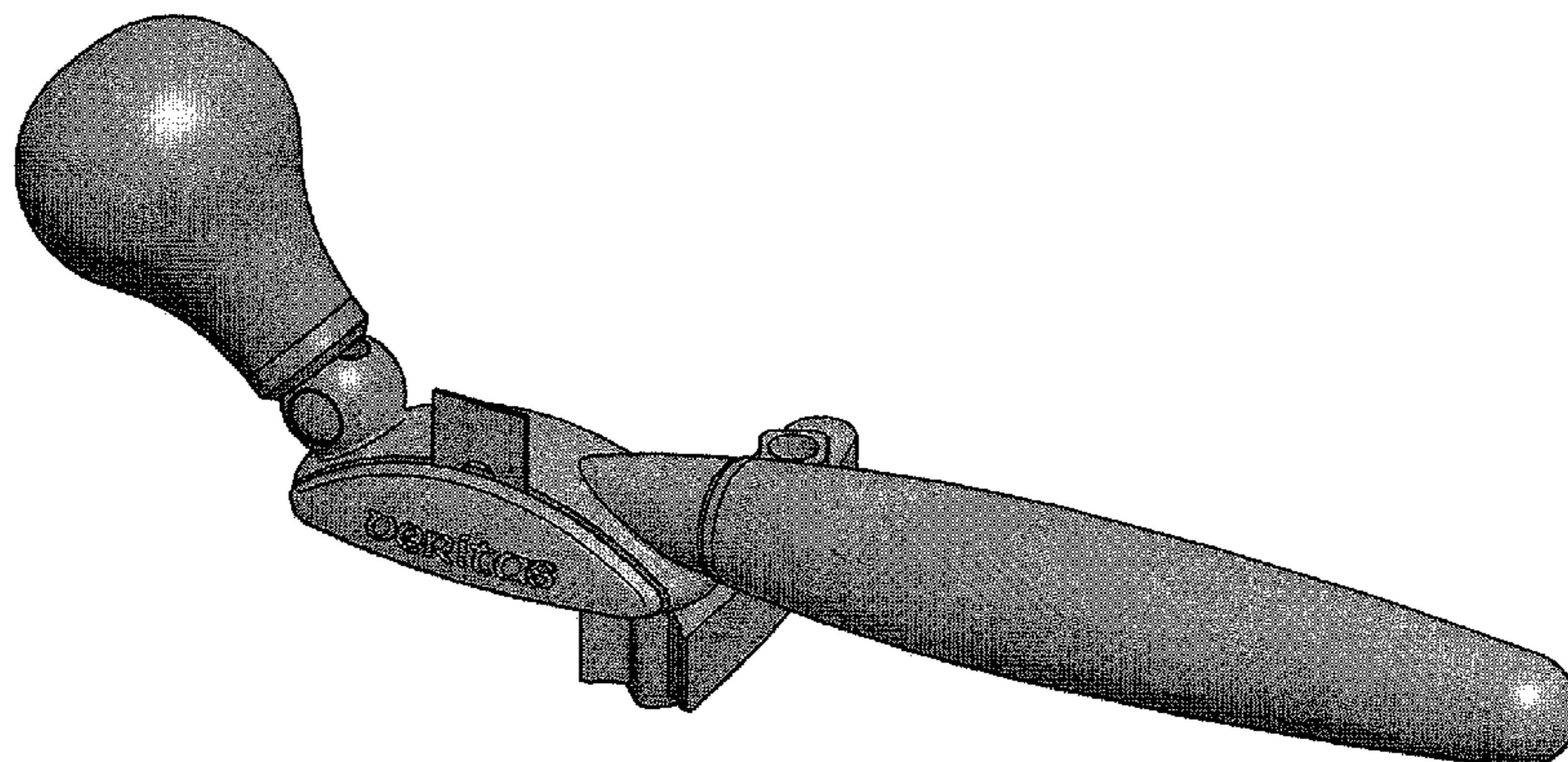
(57) **CLAIM**

The ornamental design for a beading tool, as shown and described.

**DESCRIPTION**

FIG. 1 is a perspective view of the beading tool.  
FIG. 2 is a top plan view of the beading tool shown in FIG. 1.  
FIG. 3 is a bottom plan view of the beading tool shown in FIG. 1.  
FIG. 4 is a front elevation view of the beading tool shown in FIG. 1.  
FIG. 5 is a back elevation view of the beading tool shown in FIG. 1.  
FIG. 6 is a side elevation view of the beading tool shown in FIG. 1; and,  
FIG. 7 is another side elevation view of the beading tool shown in FIG. 1.

**1 Claim, 3 Drawing Sheets**



# US D591,580 S

Page 2

## U.S. PATENT DOCUMENTS

668,299	A	2/1901	Traut	4,015,649	A	4/1977	Gilbert
752,365	A	2/1904	Spear	D247,545	S	3/1978	Banner
1,012,591	A	12/1911	Bodmer et al.	4,103,421	A	8/1978	Quenot
1,016,608	A	2/1912	Carretti	4,240,202	A	12/1980	Gilbert
1,098,706	A	6/1914	Bodmer	4,472,867	A *	9/1984	Wivinis ..... 29/243.5
1,399,631	A	12/1921	Lofdahl et al.	4,791,732	A	12/1988	Bruno et al.
1,412,888	A	4/1922	Novak	4,825,676	A *	5/1989	Diggins ..... 72/409.18
1,663,935	A	3/1928	Cornell	4,930,221	A	6/1990	Taylor
1,696,584	A	12/1928	Schwer	D313,190	S	12/1990	Economaki
1,825,859	A	10/1931	Foy	5,050,306	A	9/1991	Renaud
1,929,504	A	10/1933	MacAller	5,111,584	A	5/1992	Lero et al.
1,955,395	A	4/1934	Tueth	5,136,786	A	8/1992	Calagui
D93,763	S	11/1934	Dunn	5,197,195	A	3/1993	Aikens
2,347,570	A	4/1944	Lavietes	5,212,870	A	5/1993	Chi
2,453,126	A *	11/1948	Forcier ..... 72/124	5,353,507	A	10/1994	Lee et al.
2,550,766	A	5/1951	Bryant	6,167,628	B1	1/2001	Jones et al.
2,694,260	A	11/1954	Johansson	6,408,527	B1	6/2002	Chubb
2,869,599	A	1/1959	Palm	D481,288	S	10/2003	Saunders
2,969,097	A	1/1961	Kulbersh et al.	D499,770	S	12/2004	Siemers
3,120,250	A	2/1964	Dakin	D517,931	S	3/2006	Hyde
D207,503	S	4/1967	Liebow	D563,190	S *	3/2008	Lee et al. .... D8/101
D231,822	S	6/1974	Carter	2005/0252266	A1 *	11/2005	Perkins, Jr. .... 72/211

\* cited by examiner



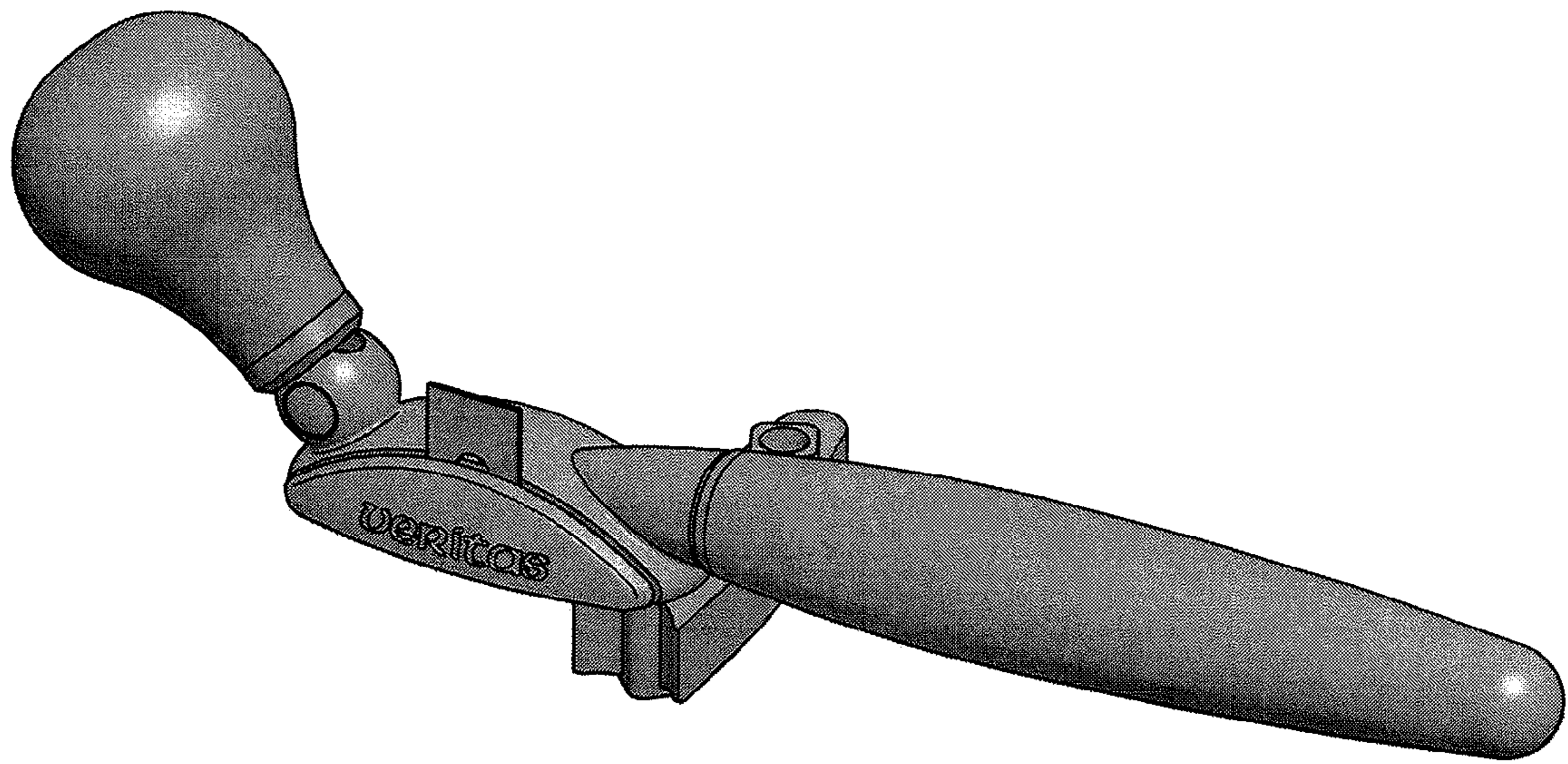


FIG. 1



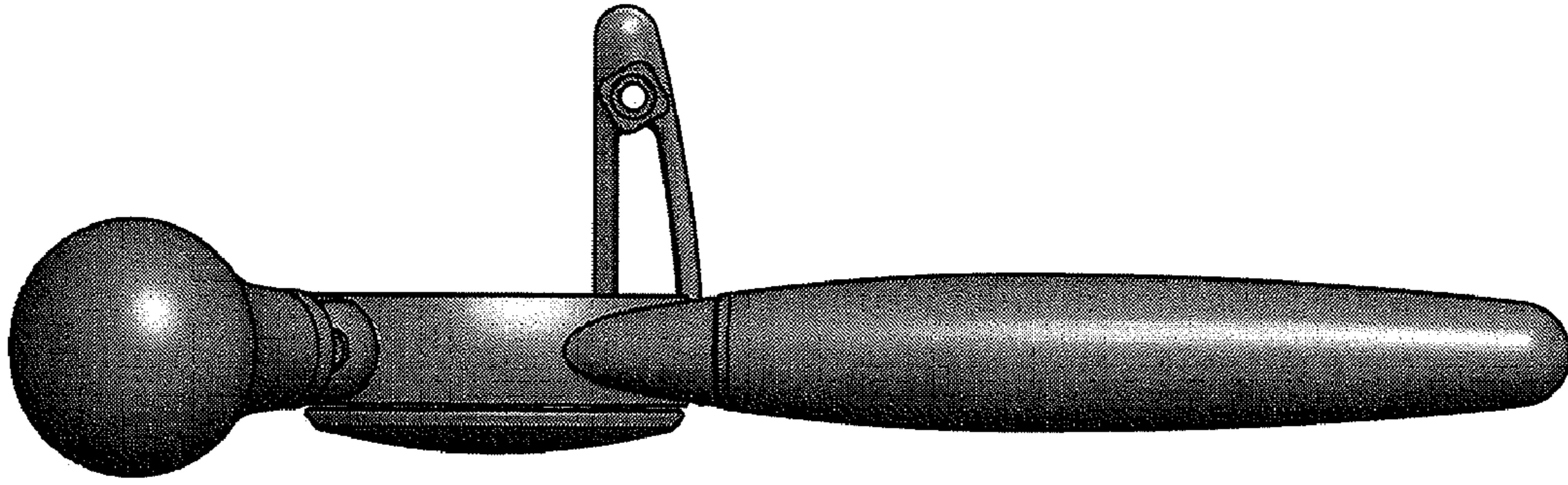


FIG. 2

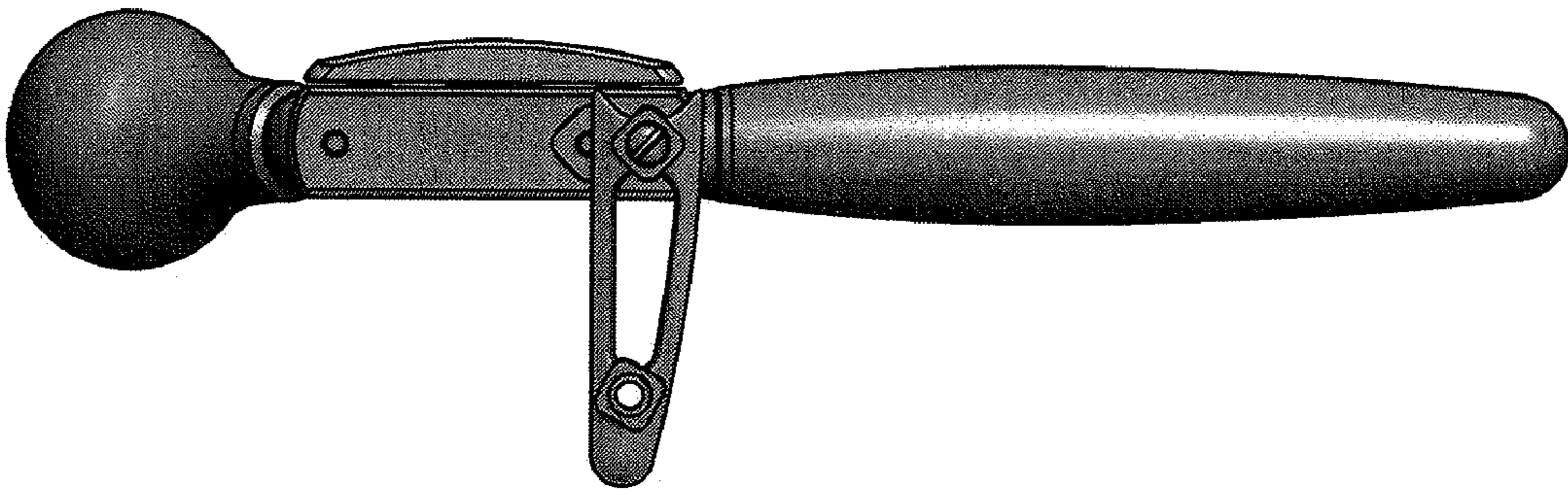


FIG. 3

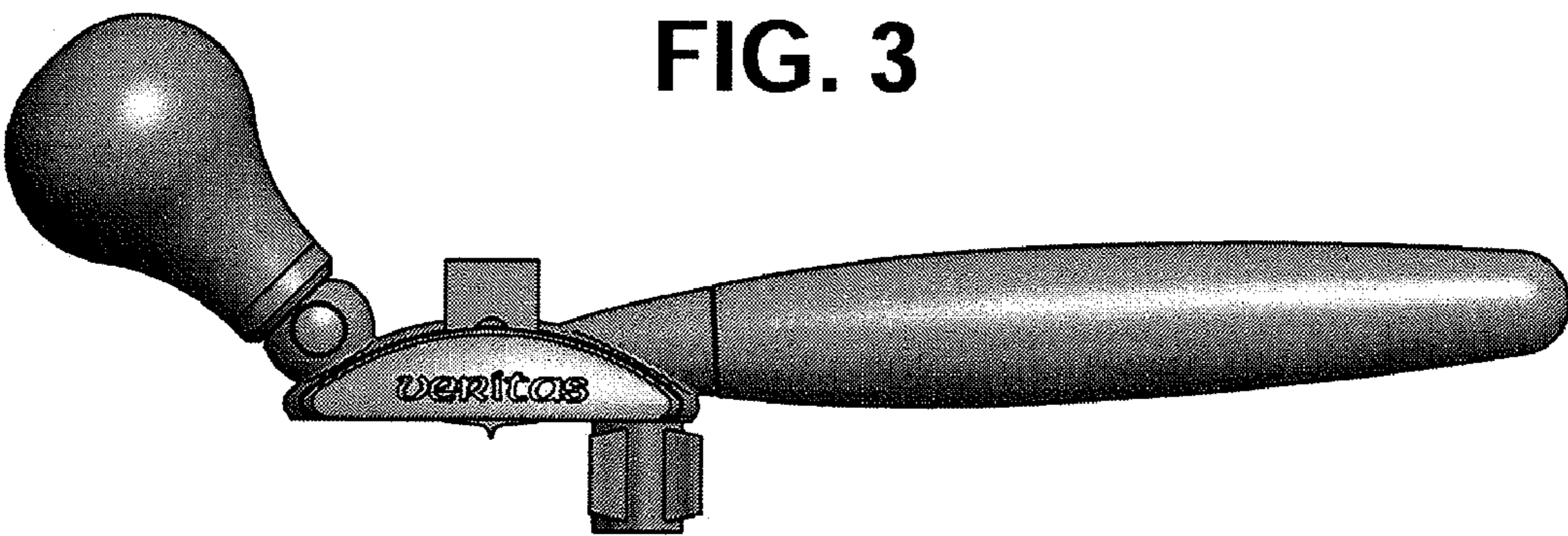


FIG. 4

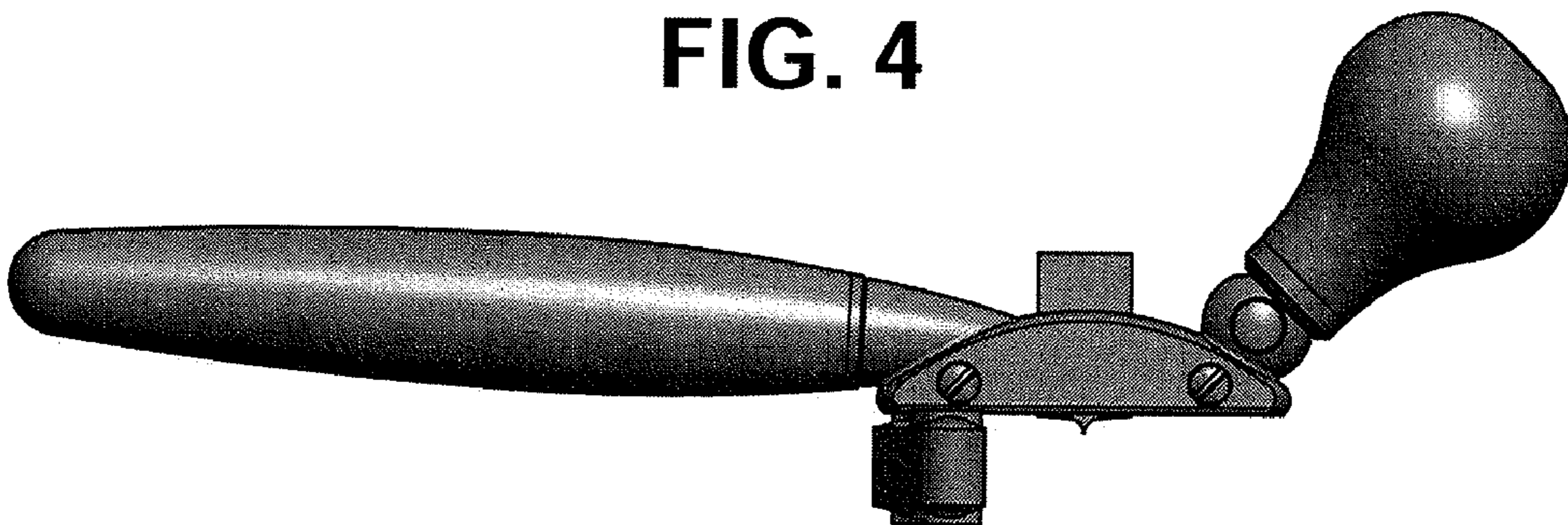
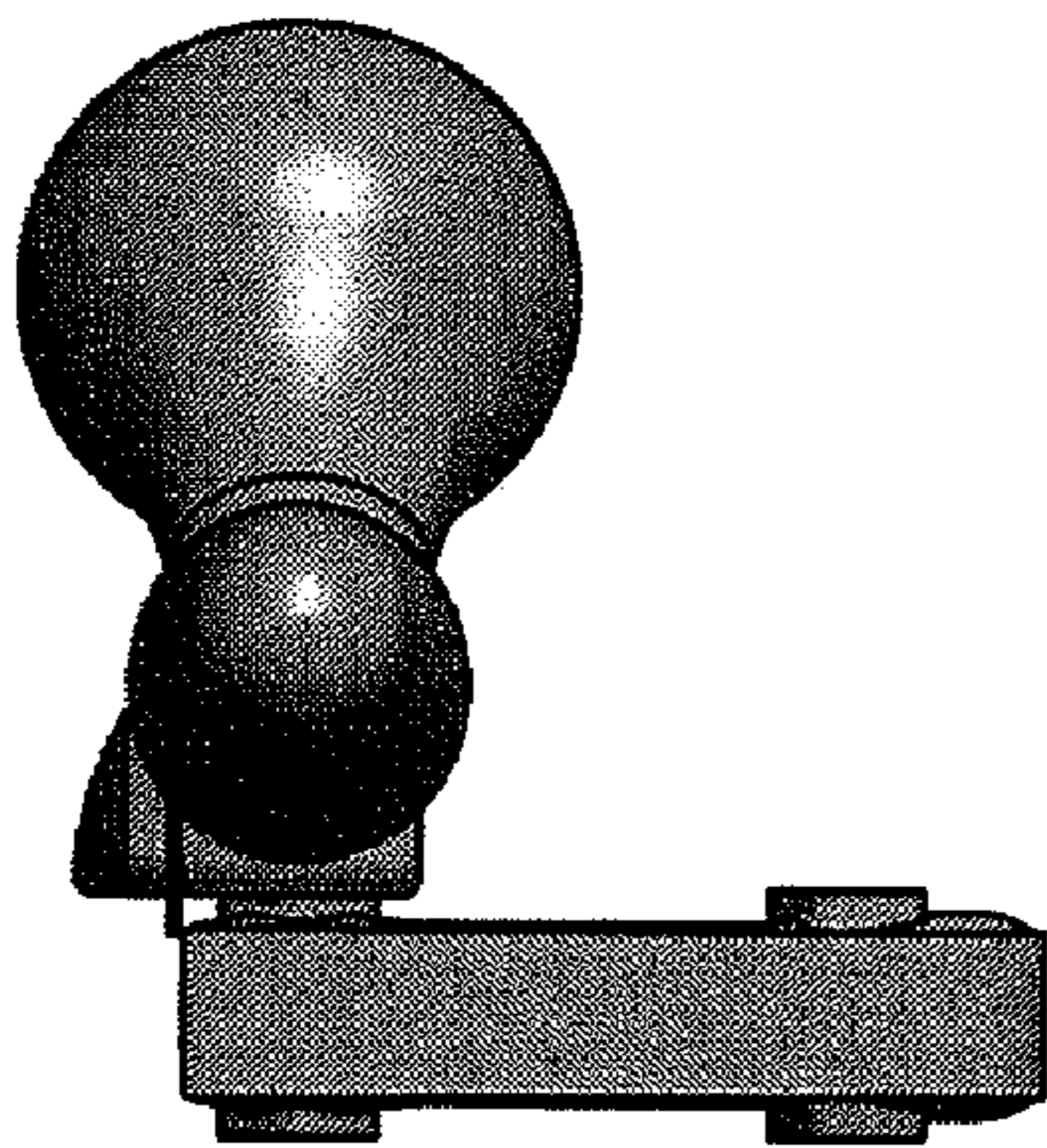
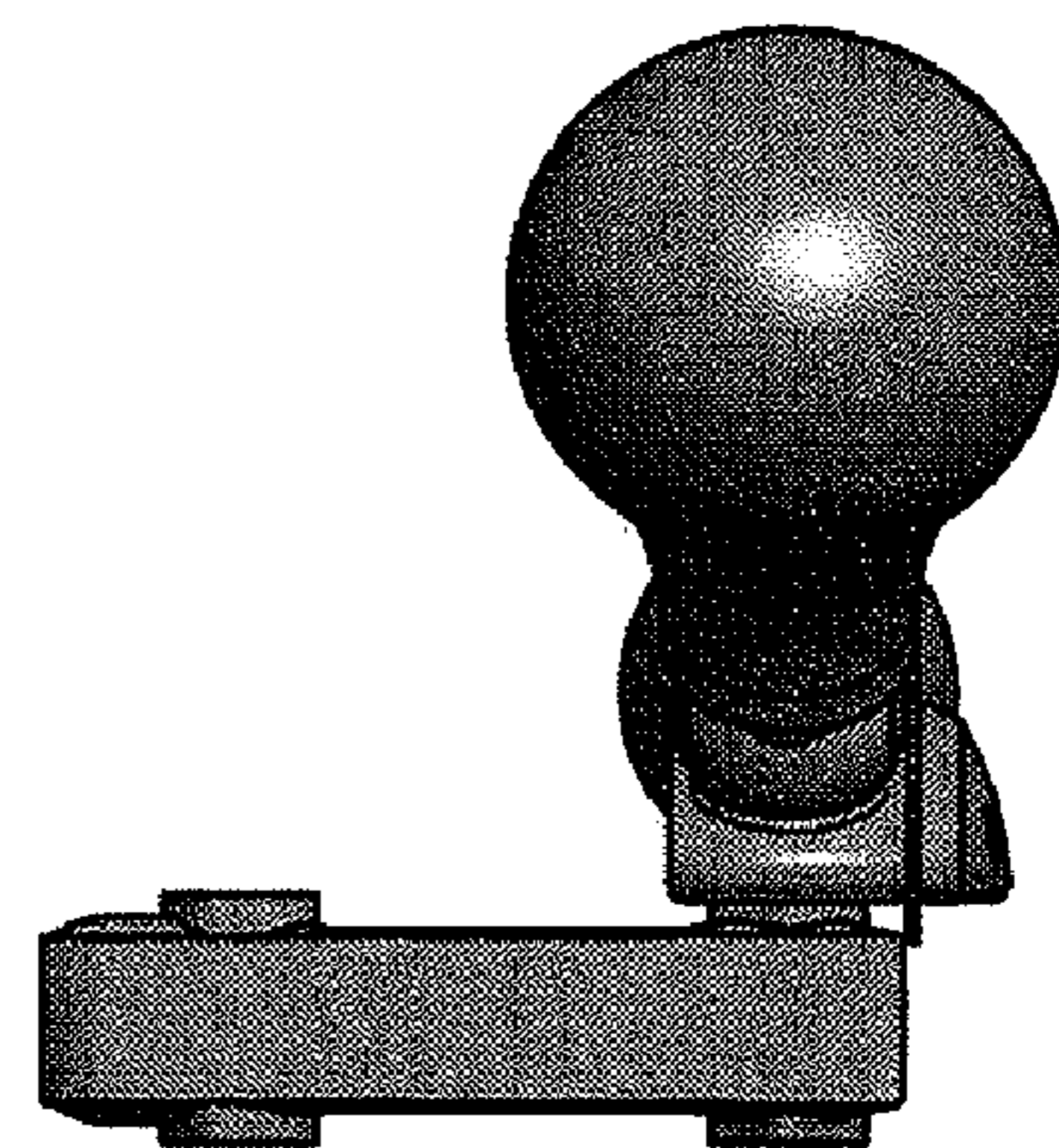


FIG. 5





**FIG. 6**



**FIG. 7**