



US00D591579S

(12) **United States Design Patent**
Saunders et al.

(10) **Patent No.:** **US D591,579 S**
(45) **Date of Patent:** **** May 5, 2009**

(54) **PLOUGH PLANE**

D563,190 S * 3/2008 Lee et al. D8/101

(75) Inventors: **Terry Saunders**, North Gower (CA);
Brian Ebbinghaus, Kanata (CA)

(73) Assignee: **Lee Valley Tools, Ltd.**, Ottawa, Ontario
(CA)

(**) Term: **14 Years**

(21) Appl. No.: **29/282,216**

(22) Filed: **Jul. 13, 2007**

(51) **LOC (9) Cl.** **08-03**

(52) **U.S. Cl.** **D8/101**

(58) **Field of Classification Search** D8/14,
D8/51, 98, 101; 30/488, 489, 491, 492, 478,
30/487

See application file for complete search history.

(56) **References Cited**

U.S. PATENT DOCUMENTS

| | | | | |
|---------------|---------|-----------------|-------|--------|
| D137,230 S * | 2/1944 | Oxhandler | | D8/101 |
| D159,339 S * | 7/1950 | Huxtable | | D8/101 |
| 2,758,619 A * | 8/1956 | Swanson et al. | | 30/478 |
| 4,088,165 A * | 5/1978 | Andersson | | 30/478 |
| D260,728 S * | 9/1981 | Breger | | D8/101 |
| 5,694,696 A * | 12/1997 | Lee et al. | | 30/488 |
| 6,615,497 B1 | 9/2003 | Saunders et al. | | |
| D481,288 S * | 10/2003 | Saunders | | D8/101 |
| 7,117,602 B2 | 10/2006 | Saunders | | |

OTHER PUBLICATIONS

12-052-10 Blade Plough Combination Plane, Stanley Hand Tools.

* cited by examiner

Primary Examiner—Philip S Hyder

(74) *Attorney, Agent, or Firm*—Kilpatrick Stockton LLP;
John S. Pratt; Camilla C. Williams

(57) **CLAIM**

The ornamental design for a plough plane, as shown and described.

DESCRIPTION

FIG. 1 is a perspective view of a plough plane of the present invention showing our new design.

FIG. 2 is a top plan view of a plough plane shown in FIG. 1.

FIG. 3 is a bottom plan view of a plough plane shown in FIG. 1.

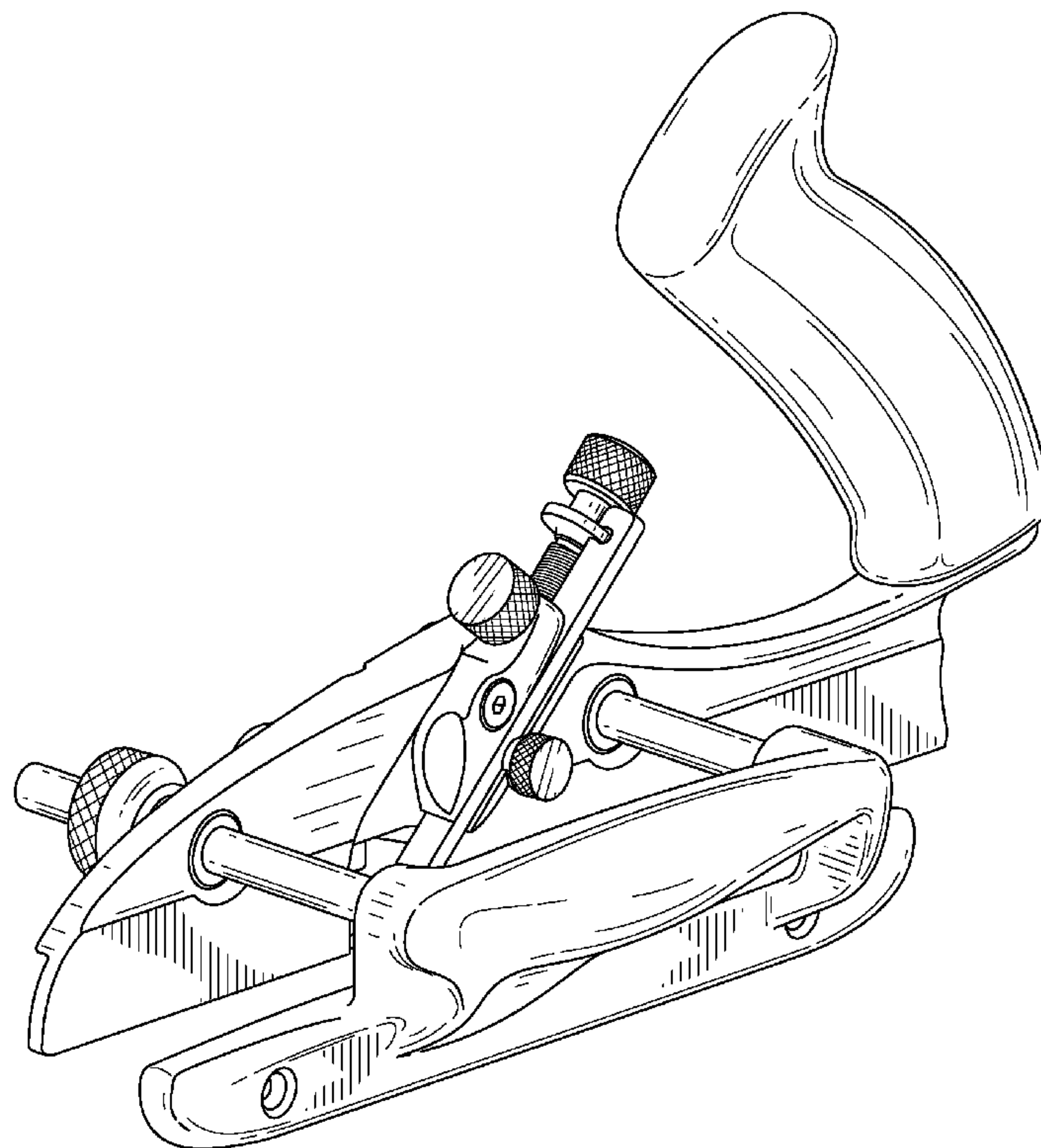
FIG. 4 is a left side elevation view of a plough plane shown in FIG. 1.

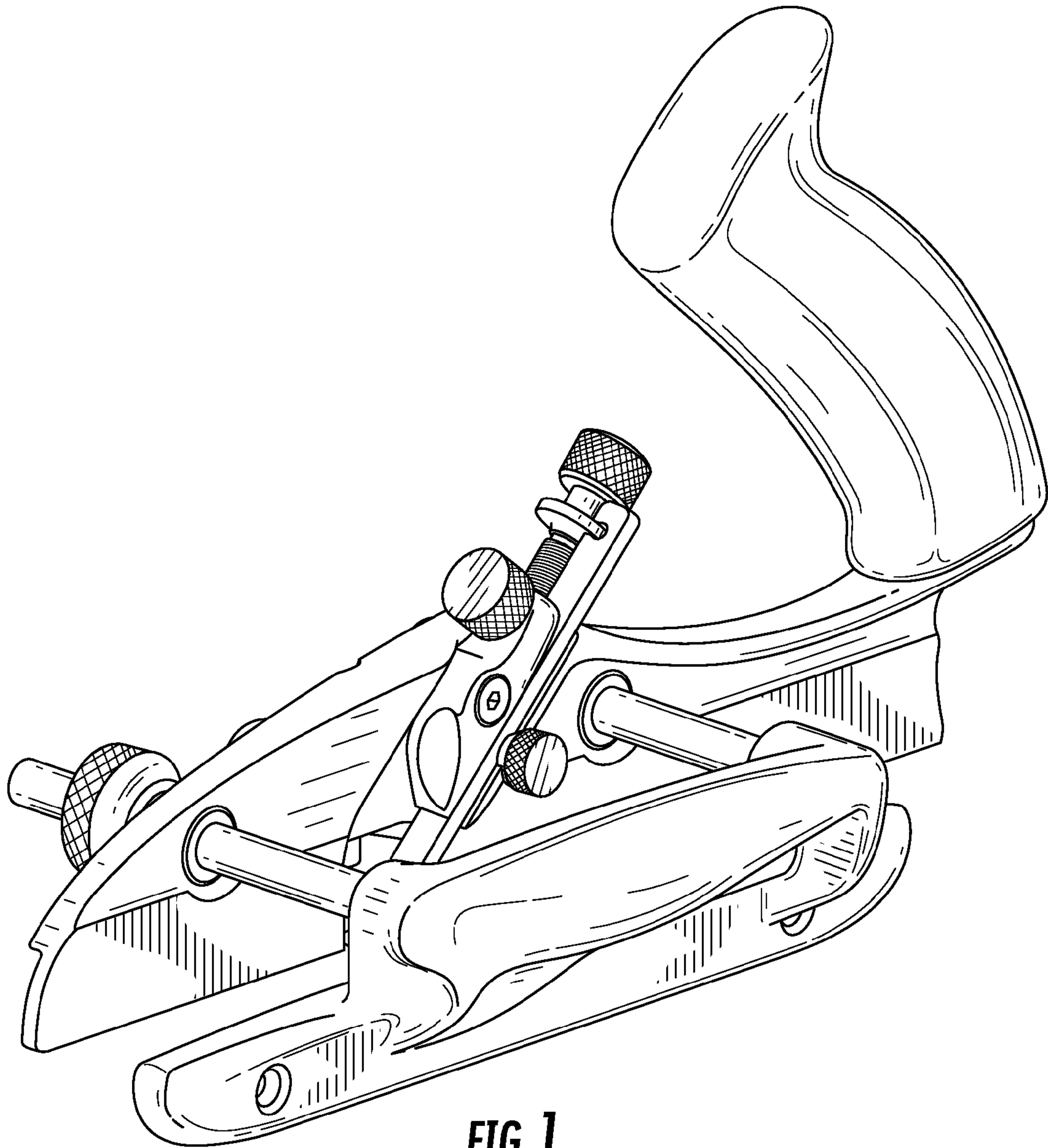
FIG. 5 is a right side elevation view of a plough plane shown in FIG. 1.

FIG. 6 is a front end elevation view of a plough plane shown in FIG. 1; and,

FIG. 7 is a back end elevation view of a plough plane shown in FIG. 1.

1 Claim, 4 Drawing Sheets





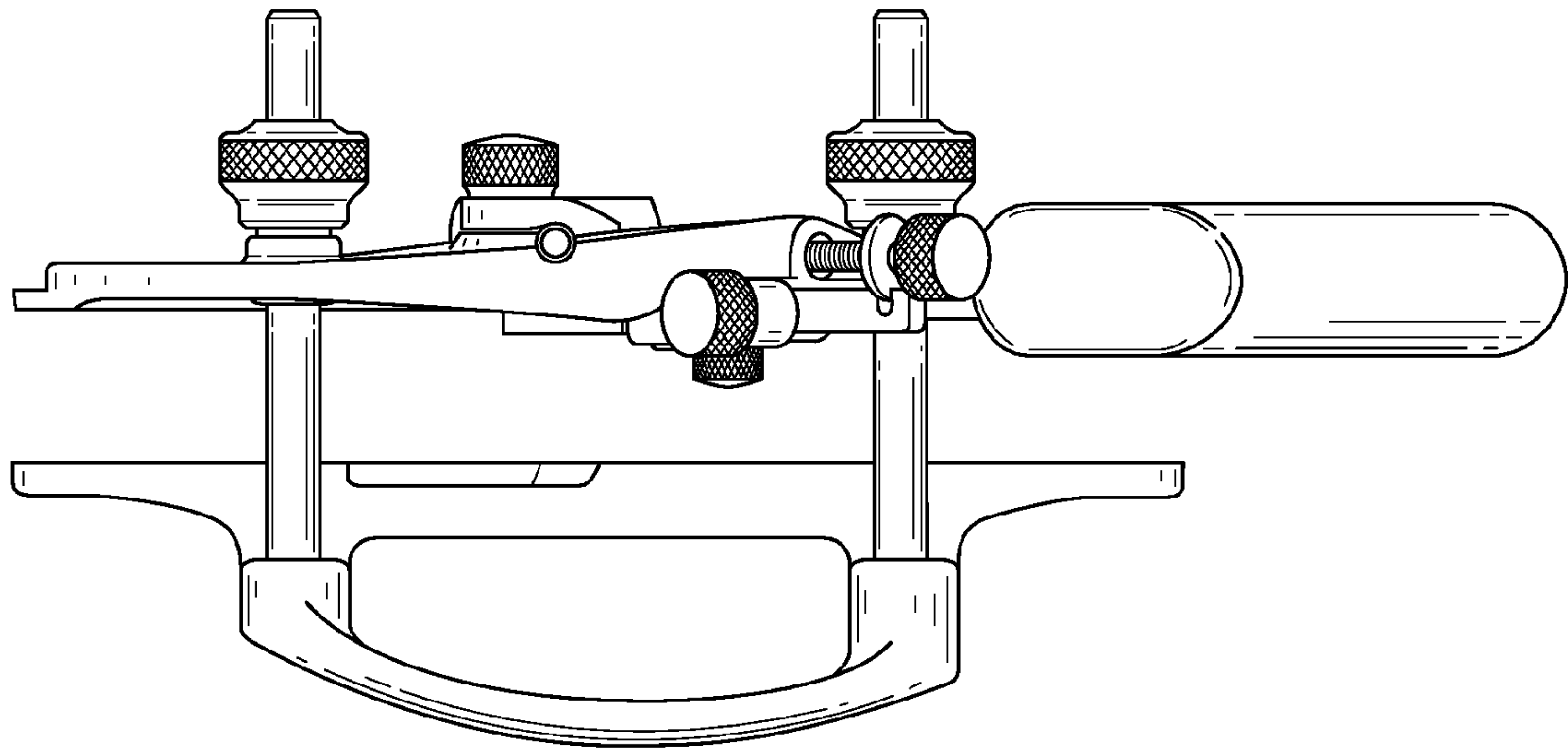


FIG. 2

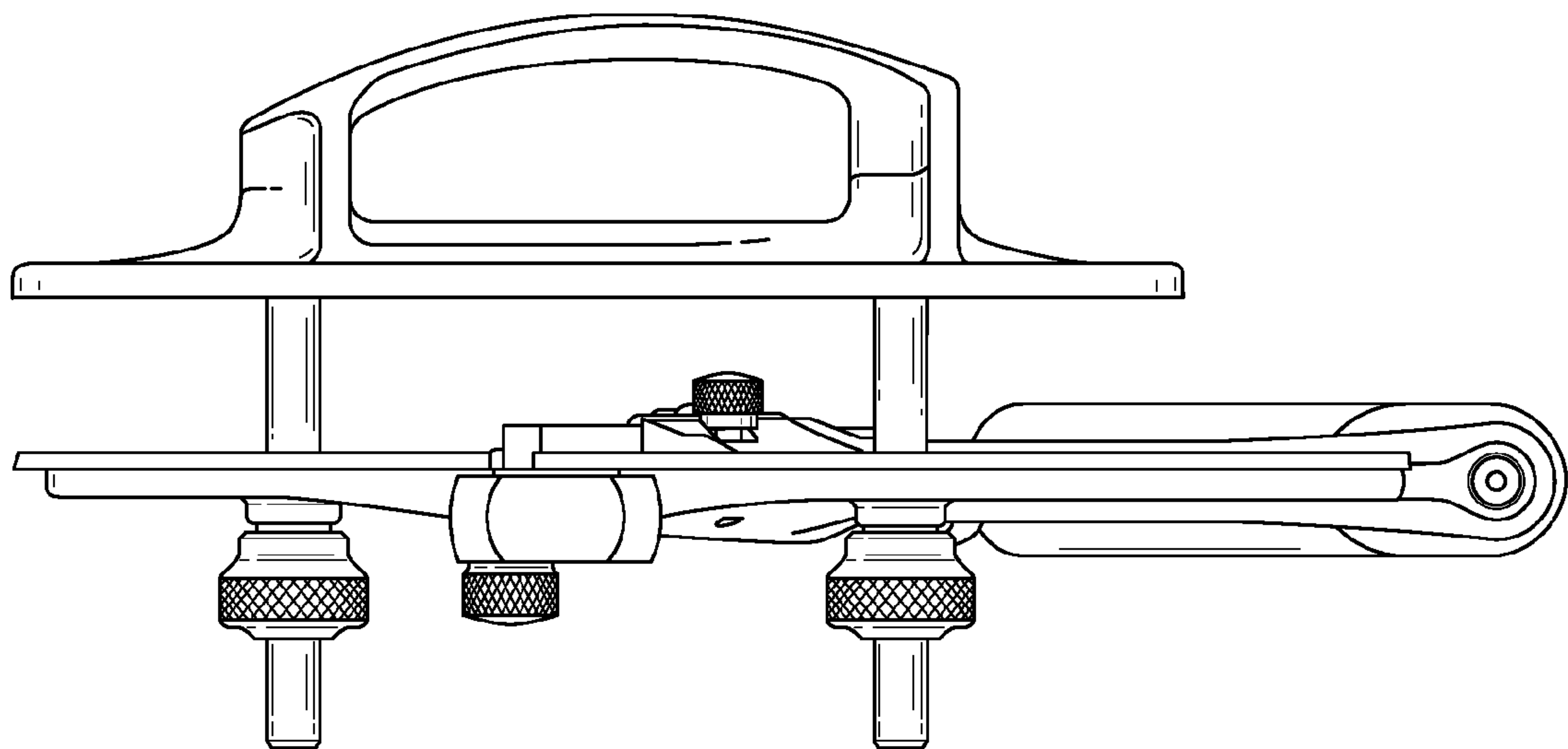


FIG. 3

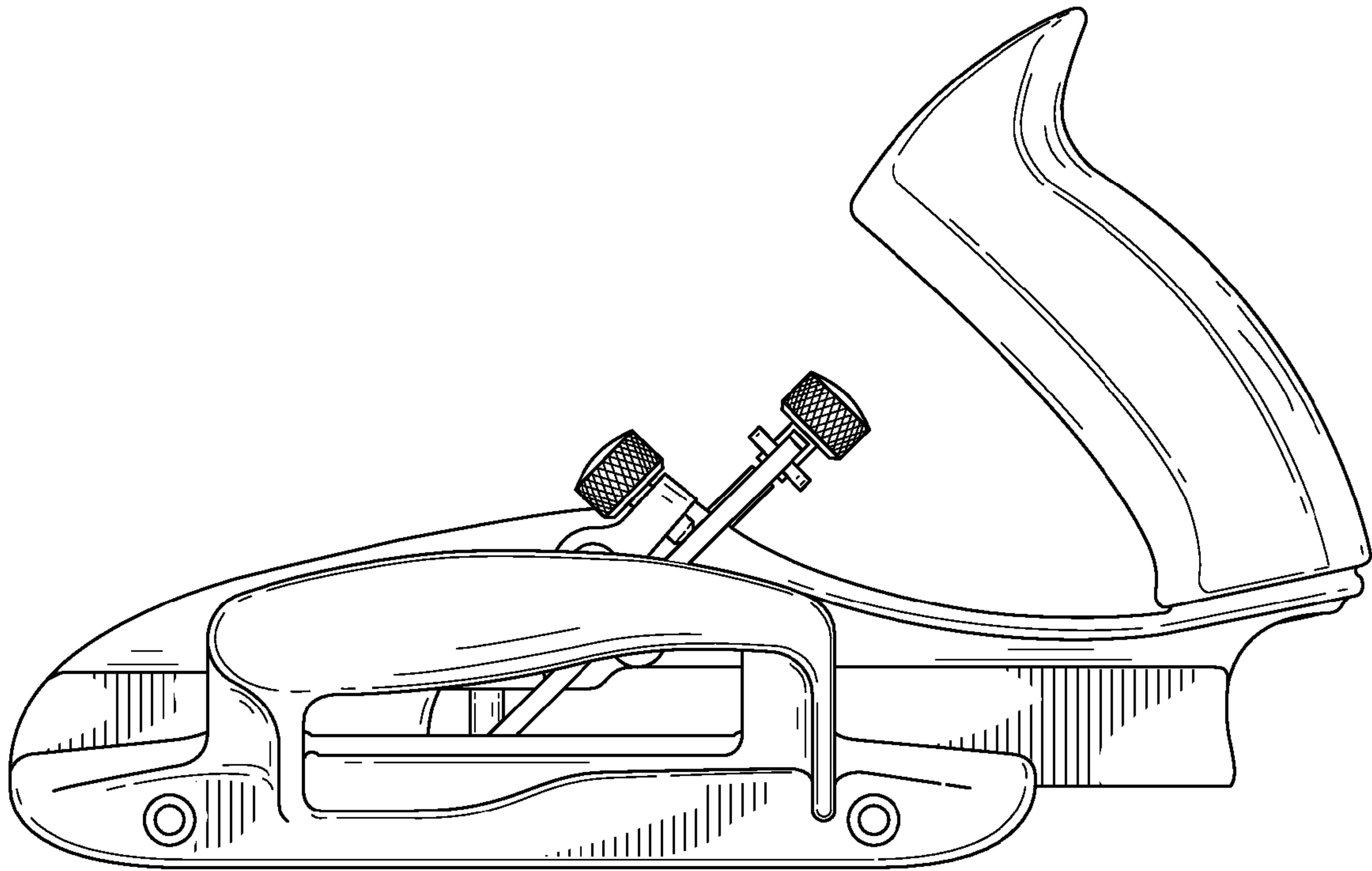


FIG. 4

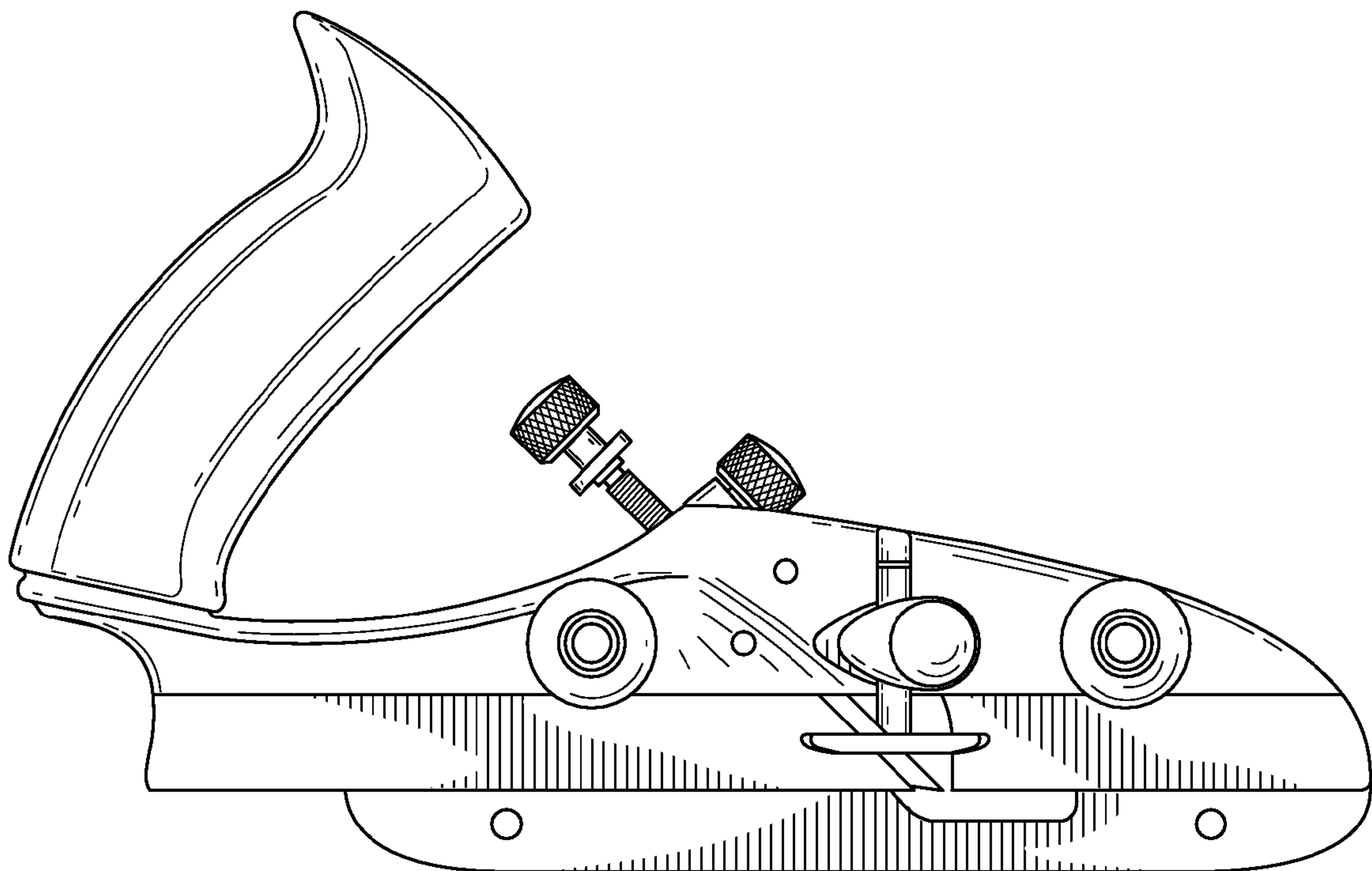


FIG. 5

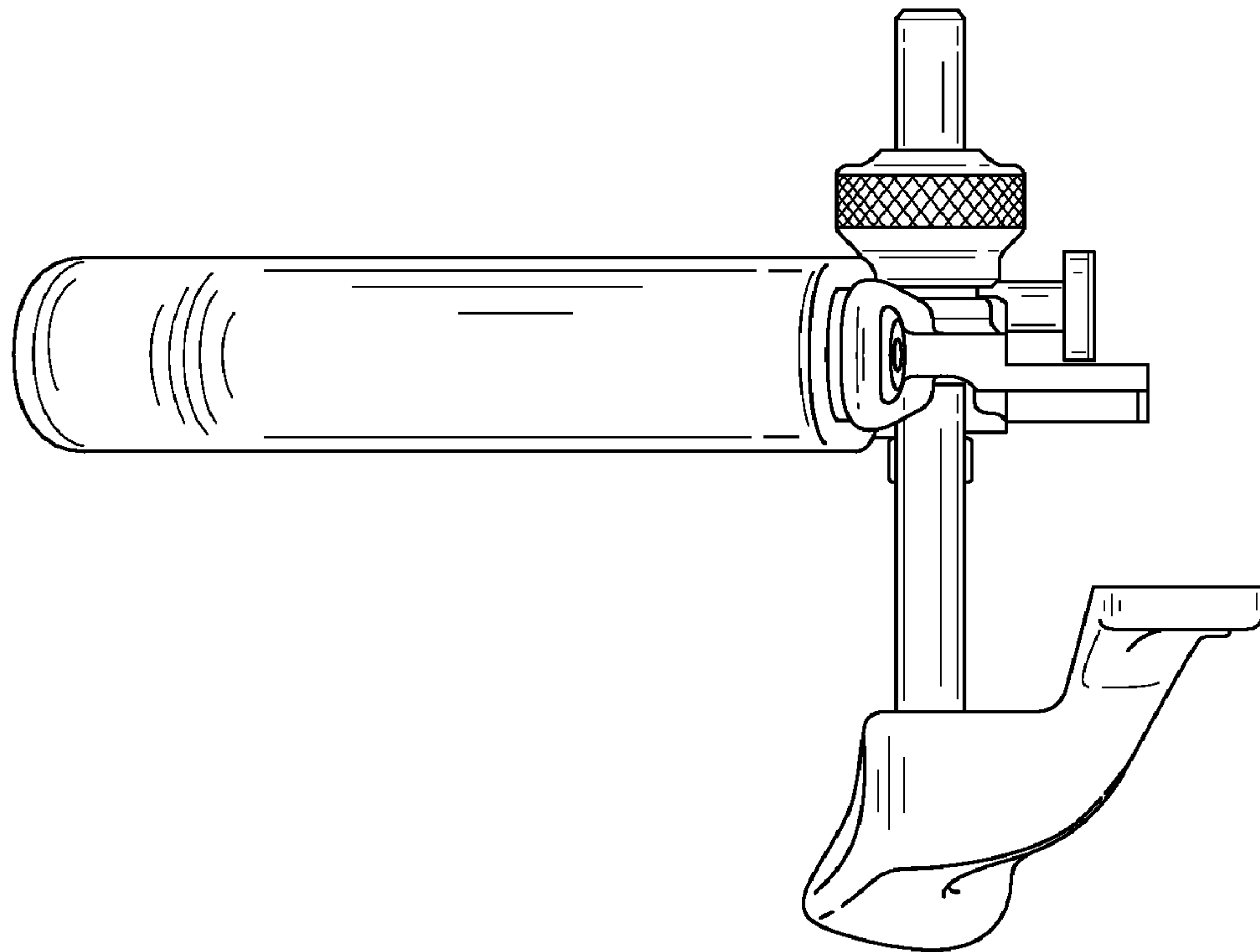


FIG. 7

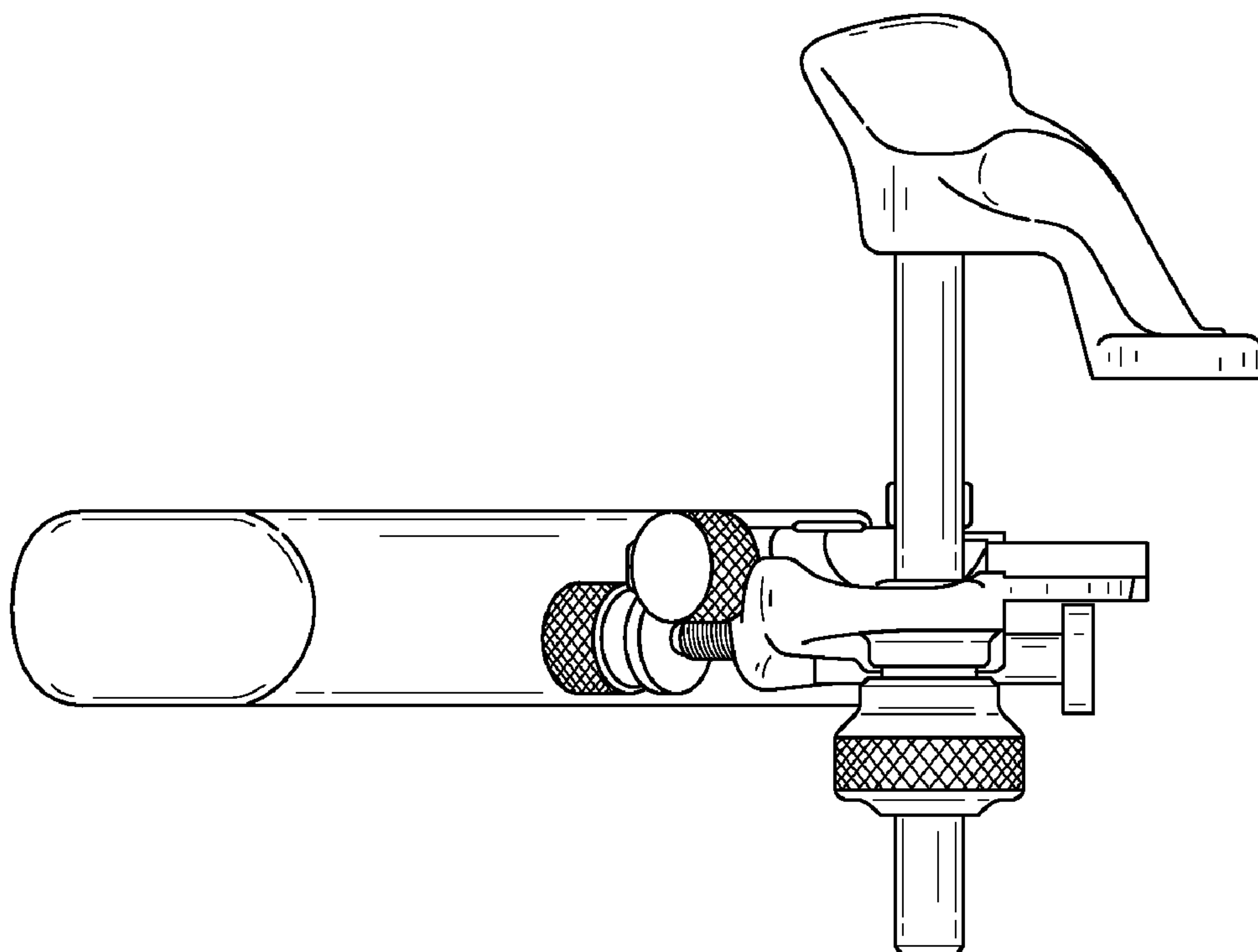


FIG. 6