



US00D591577S

(12) **United States Design Patent**
Busschaert et al.

(10) **Patent No.:** **US D591,577 S**

(45) **Date of Patent:** **** May 5, 2009**

(54) **SHOCK ABSORBER FOR POWER TOOL**

(75) Inventors: **Jason F. Busschaert**, Baltimore, MD (US); **Kathy E. DiPasquale**, Baltimore, MD (US); **Stuart J. Wright**, Baltimore, MD (US)

(73) Assignee: **Black & Decker Inc.**, Newark, DE (US)

(**) Term: **14 Years**

(21) Appl. No.: **29/301,773**

(22) Filed: **Mar. 14, 2008**

(51) **LOC (9) Cl.** **08-05**

(52) **U.S. Cl.** **D8/70**

(58) **Field of Classification Search** D8/61, D8/68, 70; 173/1, 162.1, 211; 267/140
See application file for complete search history.

(56) **References Cited**

U.S. PATENT DOCUMENTS

5,813,477 A * 9/1998 Clay et al. 173/1
6,234,256 B1 * 5/2001 Kettner 173/210

* cited by examiner

Primary Examiner—Antoine D Davis

(74) *Attorney, Agent, or Firm*—Kofi Schulerbrandt; Scott Markow; Adan Ayala

(57) **CLAIM**

The ornamental design for a shock absorber for power tool, as shown and described.

DESCRIPTION

FIG. 1 is a left perspective view of a shock absorber for power tool showing the new design.

FIG. 2 is a right perspective view thereof.

FIG. 3 is a rear view thereof.

FIG. 4 is a right side view thereof.

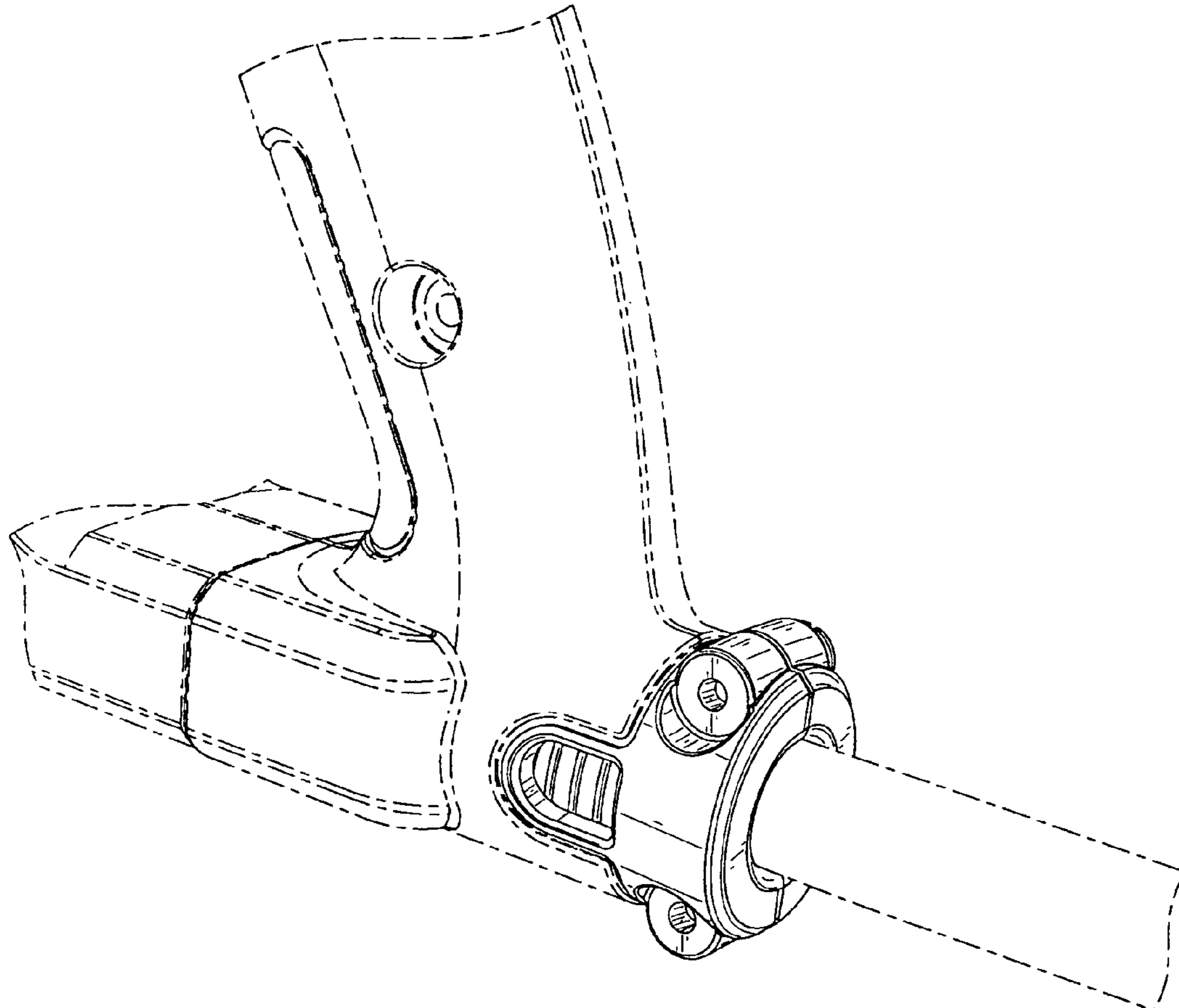
FIG. 5 is a left side view thereof.

FIG. 6 is a top view thereof; and,

FIG. 7 is a bottom view thereof.

The broken lines that define the bounds of the claimed design form no part thereof.

1 Claim, 7 Drawing Sheets



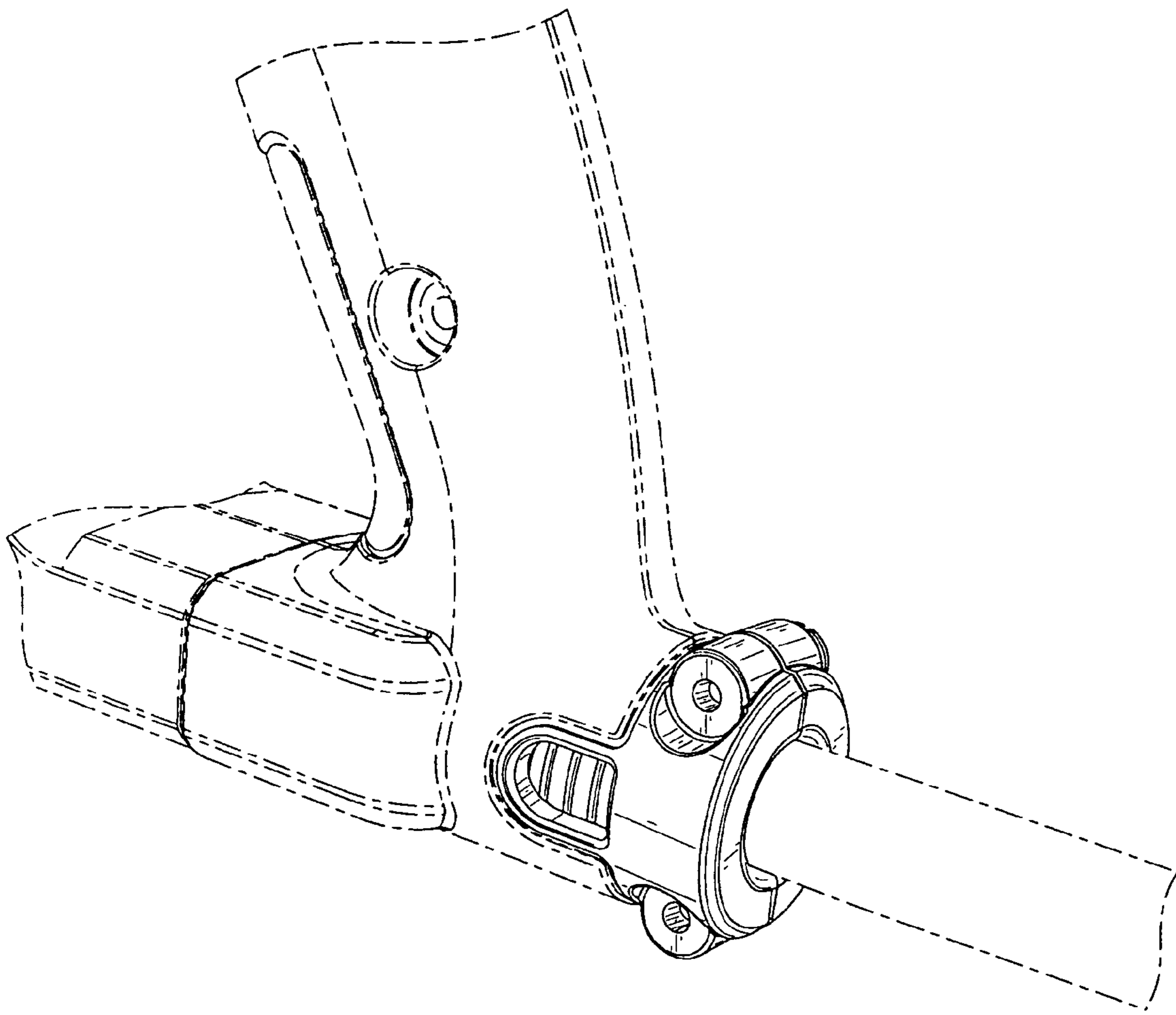


FIG. 1

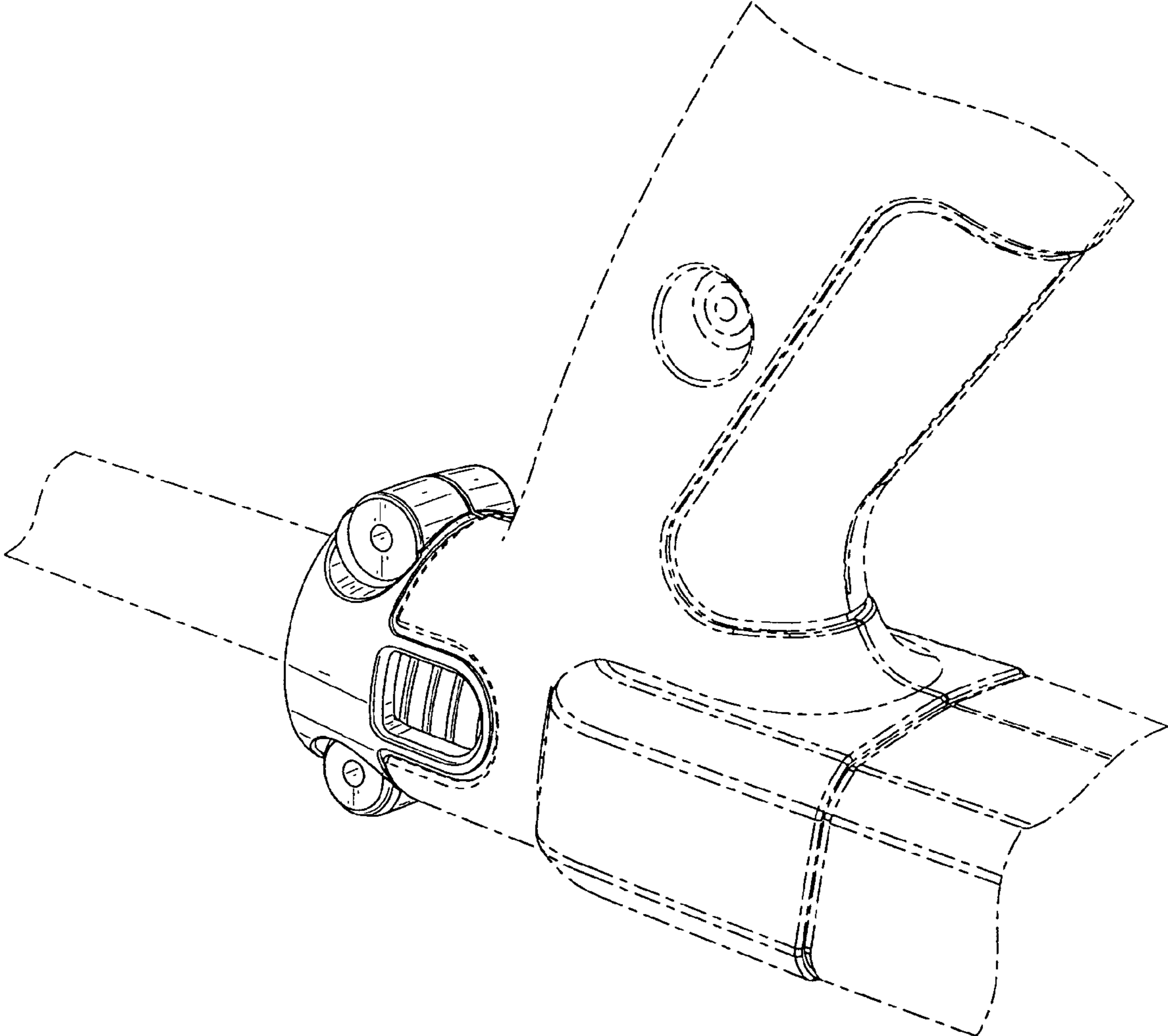


FIG. 2

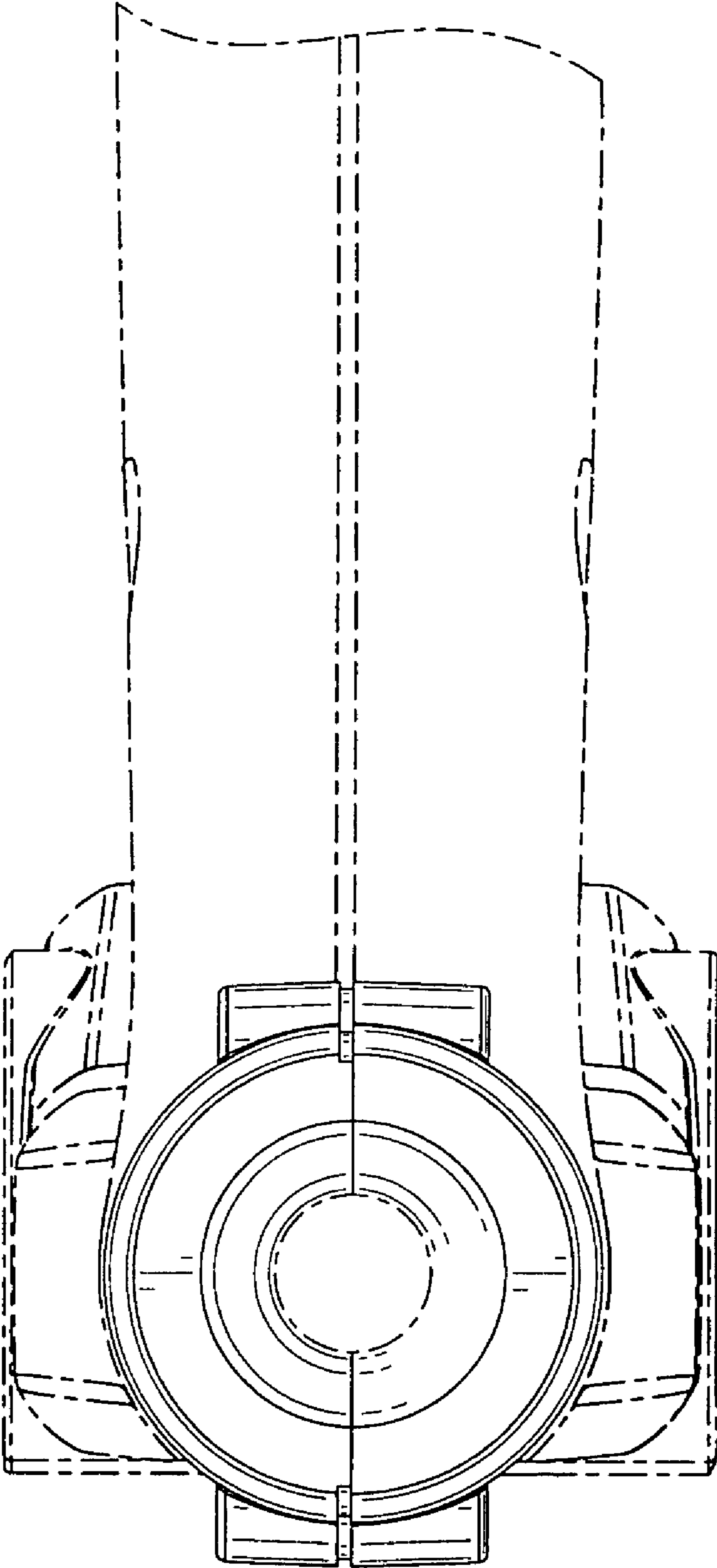


FIG. 3

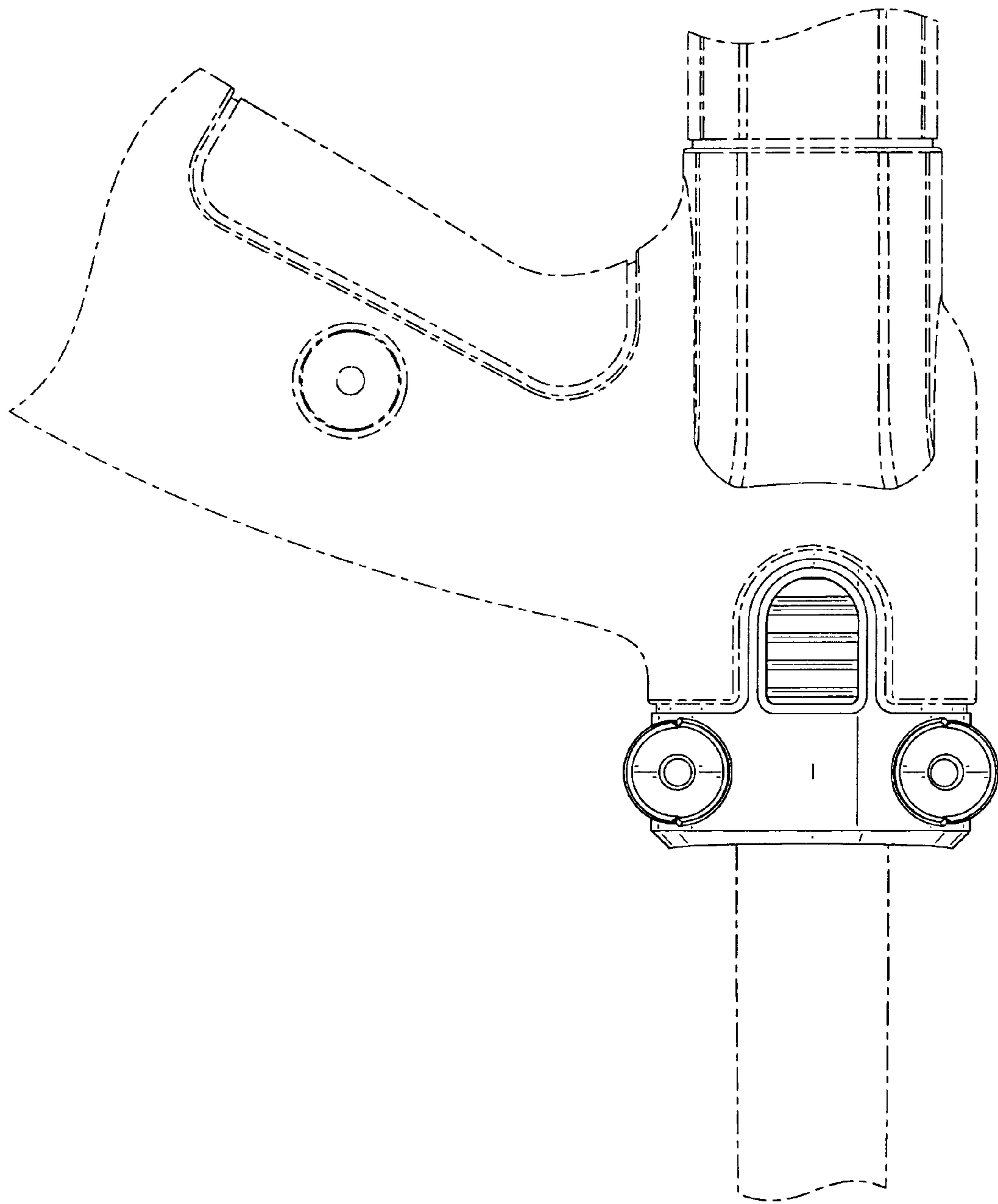


FIG. 4

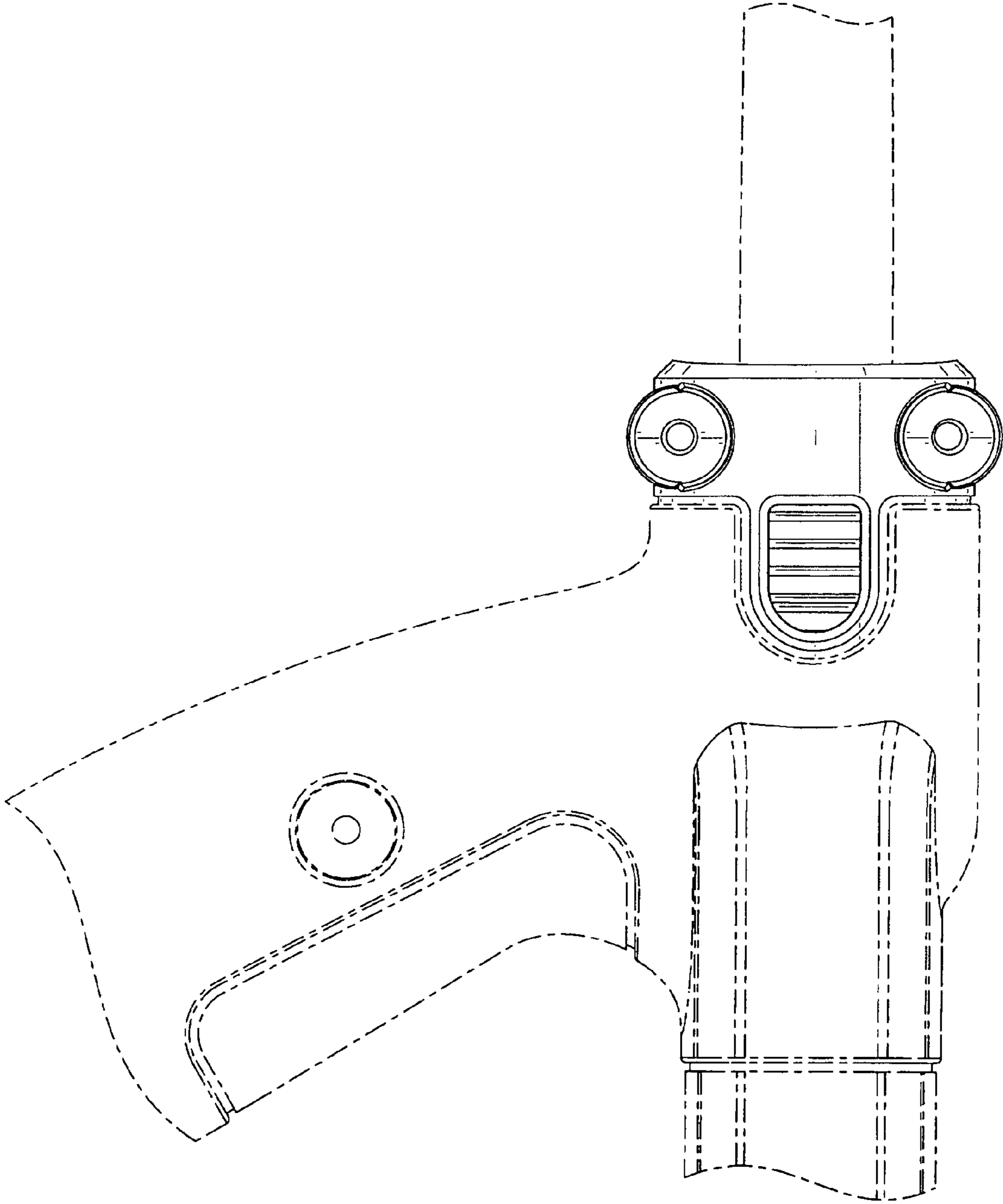


FIG. 5

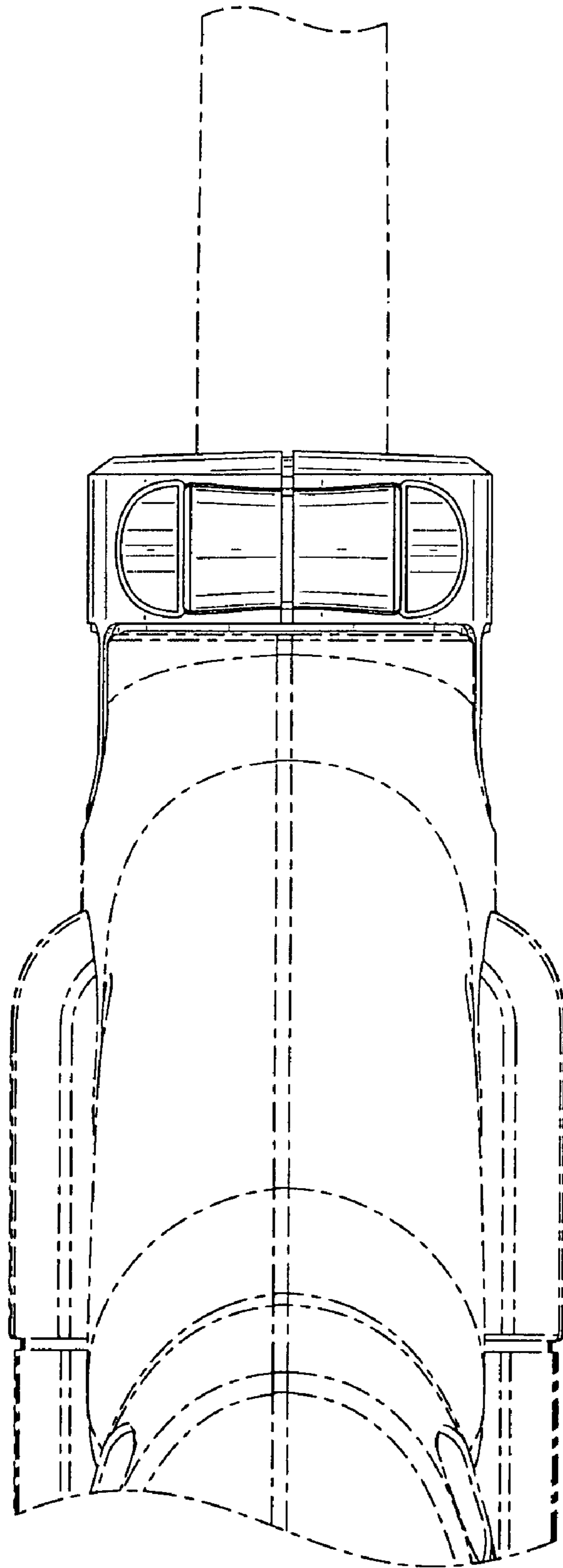


FIG. 6

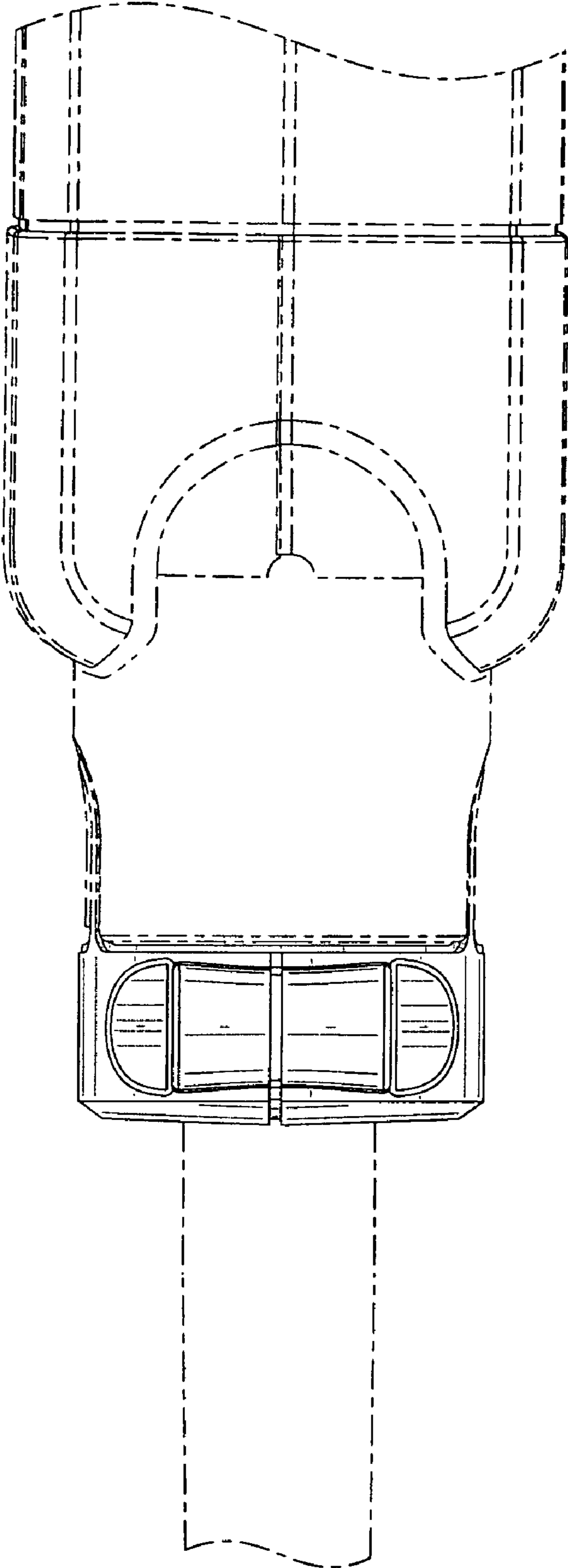


FIG. 7