



US00D591576S

(12) **United States Design Patent**
Buck

(10) **Patent No.:** **US D591,576 S**
(45) **Date of Patent:** **** May 5, 2009**

(54) **PNEUMATIC FASTENER**

(75) Inventor: **John E. Buck**, Cockeysville, MD (US)

(73) Assignee: **Black & Decker Inc.**, Newark, DE (US)

(**) Term: **14 Years**

(21) Appl. No.: **29/292,679**

(22) Filed: **Oct. 24, 2007**

(51) **LOC (9) Cl.** **08-05**

(52) **U.S. Cl.** **D8/68**

(58) **Field of Classification Search** D8/14.1,
D8/61, 62, 63, 64, 65, 66, 67, 68, 69, 70;
81/57.11, 429, 454, 455, 456, 469, 489; 173/13,
173/104, 114, 168, 169, 170, 171, 178, 201,
173/211, 213, 217; 408/20, 124, 125, 234,
408/241 R; 451/358; 310/50; 227/8, 113,
227/114, 120, 130, 136, 142

See application file for complete search history.

(56) **References Cited**

U.S. PATENT DOCUMENTS

3,568,908	A	3/1971	Bader	
4,433,782	A	2/1984	Figge et al.	
4,518,109	A	5/1985	Shiroyama	
D337,252	S *	7/1993	Tsuru et al.	D8/69
D338,819	S *	8/1993	Ohkochi	D8/69
5,267,682	A *	12/1993	Okouchi	227/120
D379,912	S *	6/1997	Burke et al.	D8/68
5,634,582	A	6/1997	Morrison, Jr. et al.	
D387,259	S *	12/1997	Braddock et al.	D8/69
5,697,541	A	12/1997	Burke et al.	
D392,170	S *	3/1998	Hattori	D8/68
5,862,970	A *	1/1999	Cougar	227/130
6,152,346	A *	11/2000	Laubach	227/136
6,672,497	B2 *	1/2004	Lin	227/8
D491,035	S *	6/2004	Buck	D8/68
6,824,036	B2 *	11/2004	Walter	227/120
D501,383	S *	2/2005	Fang et al.	D8/68

D509,418	S *	9/2005	Leasure	D8/68
6,948,647	B1 *	9/2005	Niblett et al.	227/130
6,957,757	B1	10/2005	Huang	
D520,321	S *	5/2006	Hattori et al.	D8/69
7,210,607	B2 *	5/2007	Niblett et al.	227/130
7,232,051	B2	6/2007	Huang et al.	
D549,538	S *	8/2007	Lee et al.	D8/69
D556,003	S *	11/2007	Buck	D8/69
D562,664	S *	2/2008	Buck	D8/69
D575,607	S *	8/2008	Buck	D8/69
D575,608	S *	8/2008	Buck	D8/69
2005/0263560	A1 *	12/2005	Niblett et al.	227/120
2006/0081677	A1 *	4/2006	Yasuike et al.	227/8
2006/0208027	A1 *	9/2006	Hagan	227/120
2006/0261128	A1 *	11/2006	Wen	227/120
2007/0267459	A1 *	11/2007	Yang	227/130

* cited by examiner

Primary Examiner—T. Chase Nelson

Assistant Examiner—Karen Acker

(74) *Attorney, Agent, or Firm*—Rhonda L. Barton; Scott B. Markow

(57) **CLAIM**

The ornamental design for a pneumatic fastener, as shown and described.

DESCRIPTION

FIG. 1 is a left/top perspective view of the pneumatic fastener.

FIG. 2 is a left side elevational view thereof.

FIG. 3 is a right side elevational view thereof.

FIG. 4 is a top view thereof.

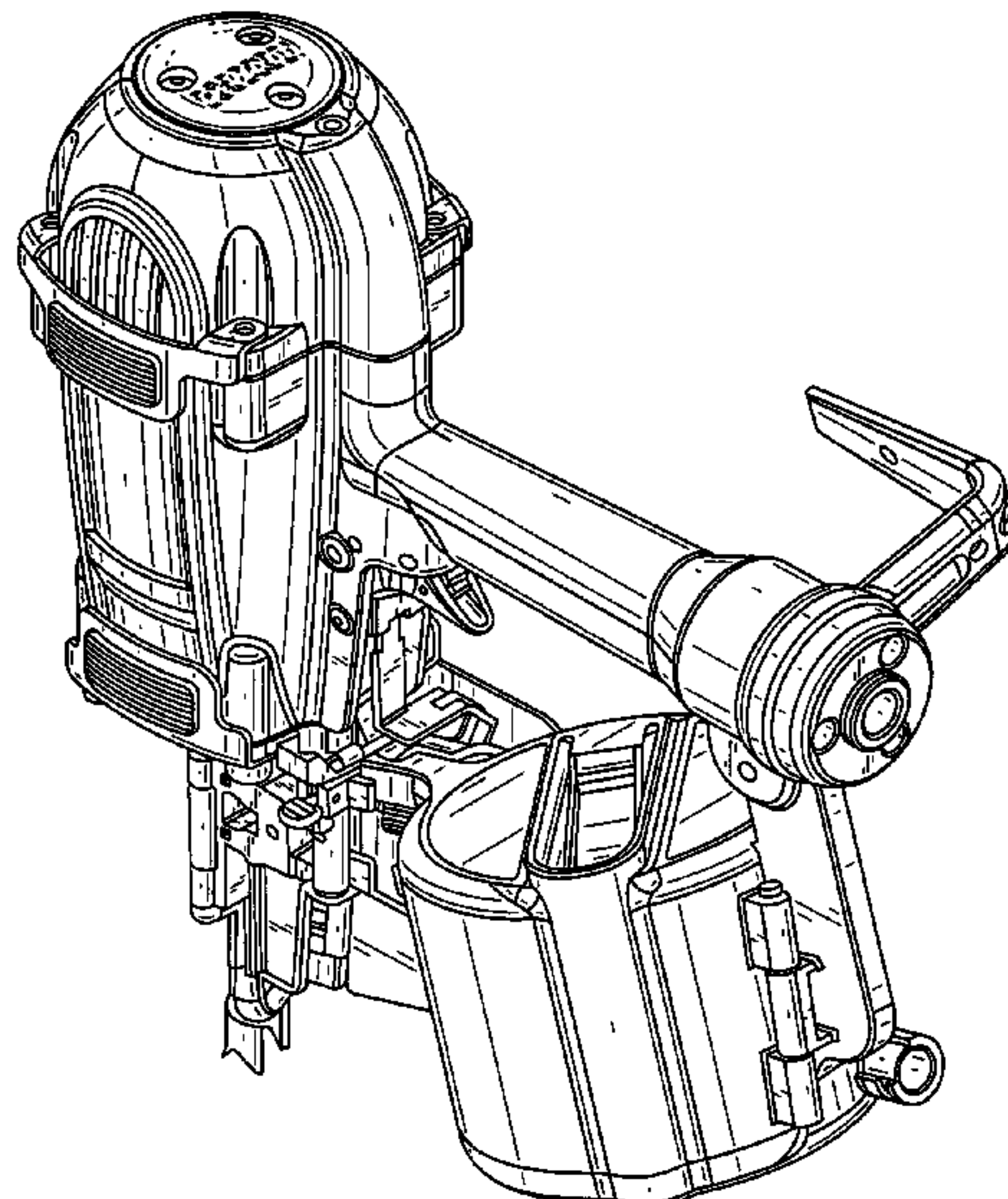
FIG. 5 is a bottom view thereof.

FIG. 6 is a front elevational view thereof; and,

FIG. 7 is a rear elevational view thereof.

The proprietary trademark shown in broken lines is for illustrative purposes only and forms no part of the claimed design.

1 Claim, 7 Drawing Sheets



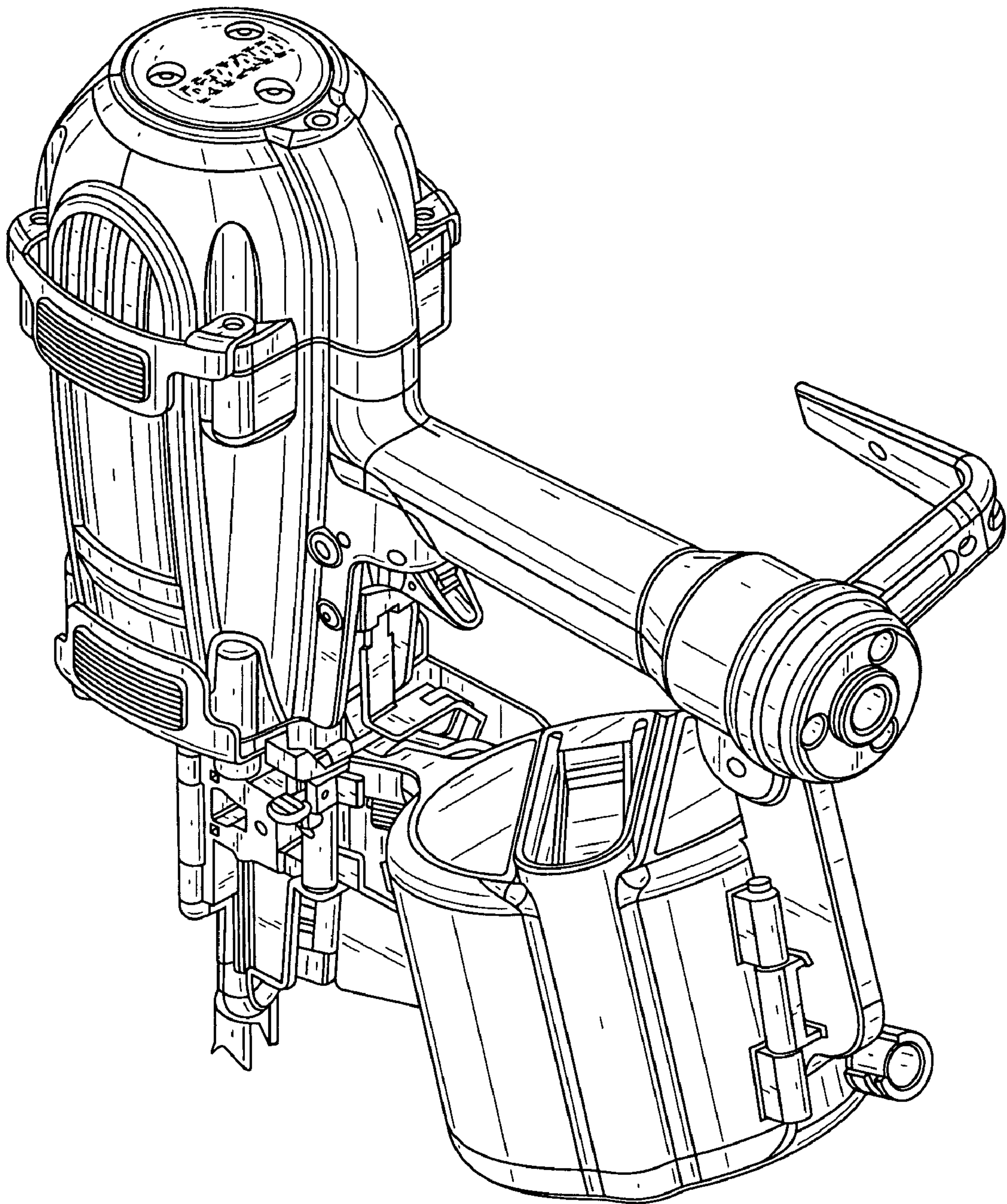


FIG. 1

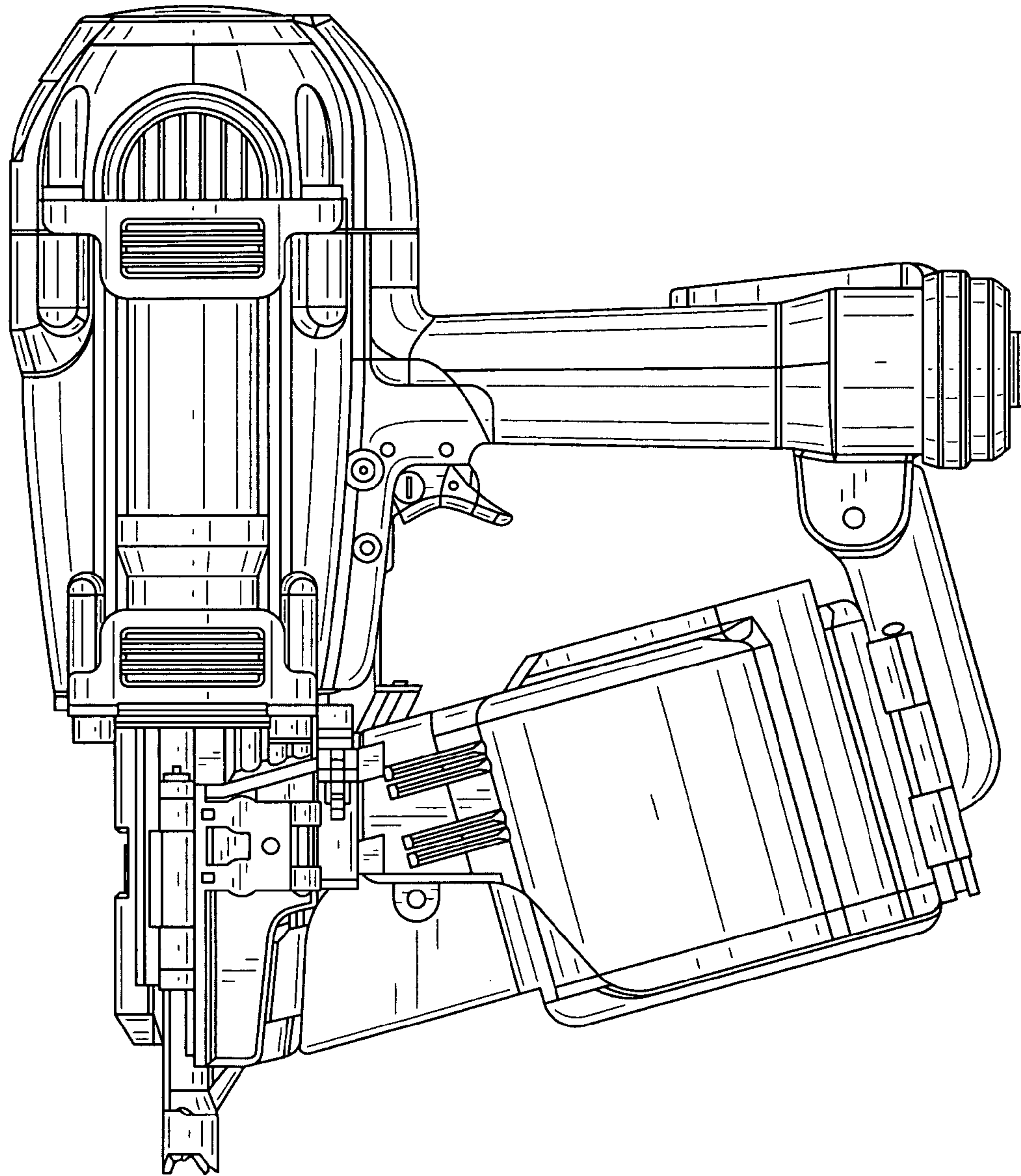


FIG. 2

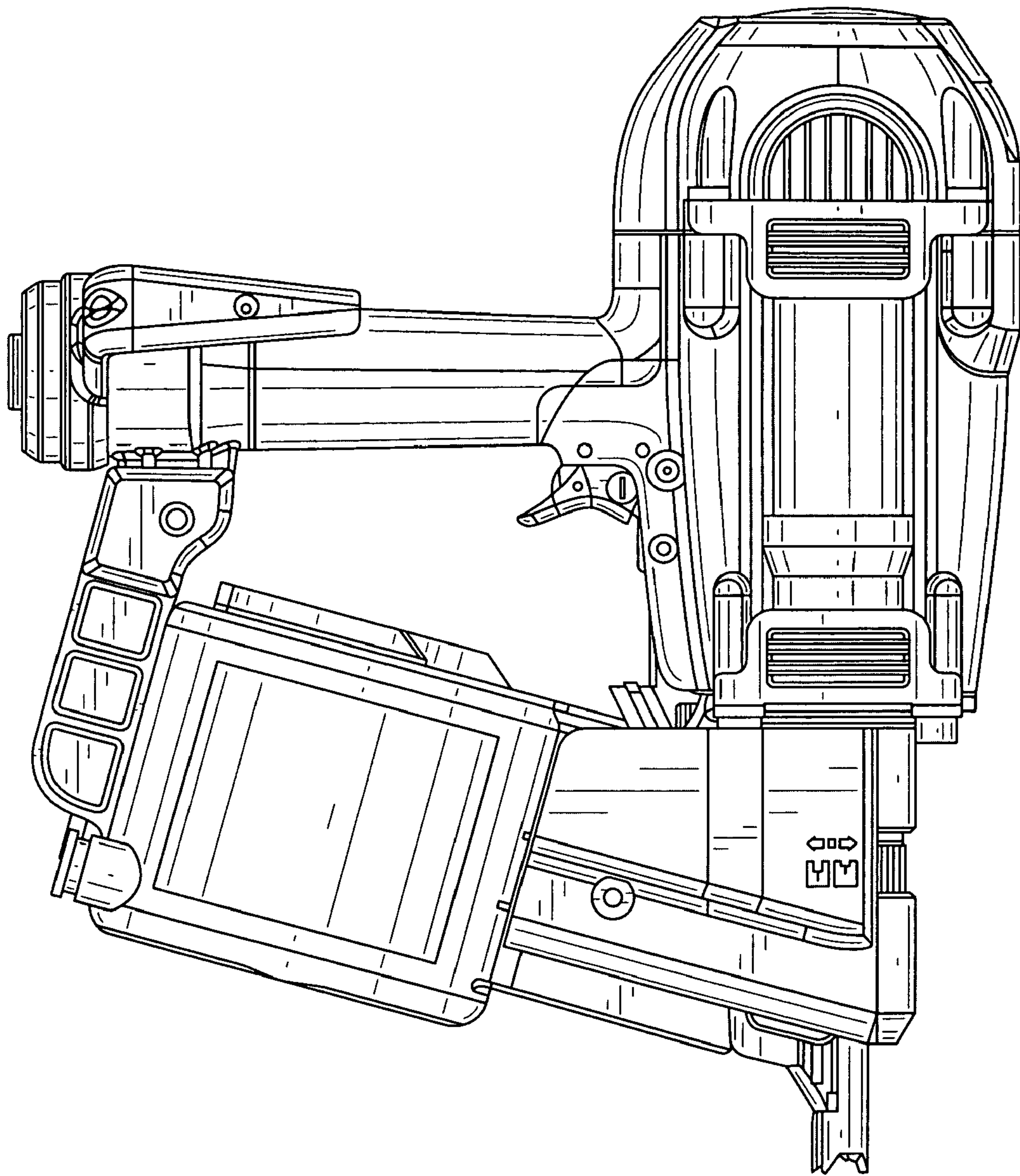


FIG. 3

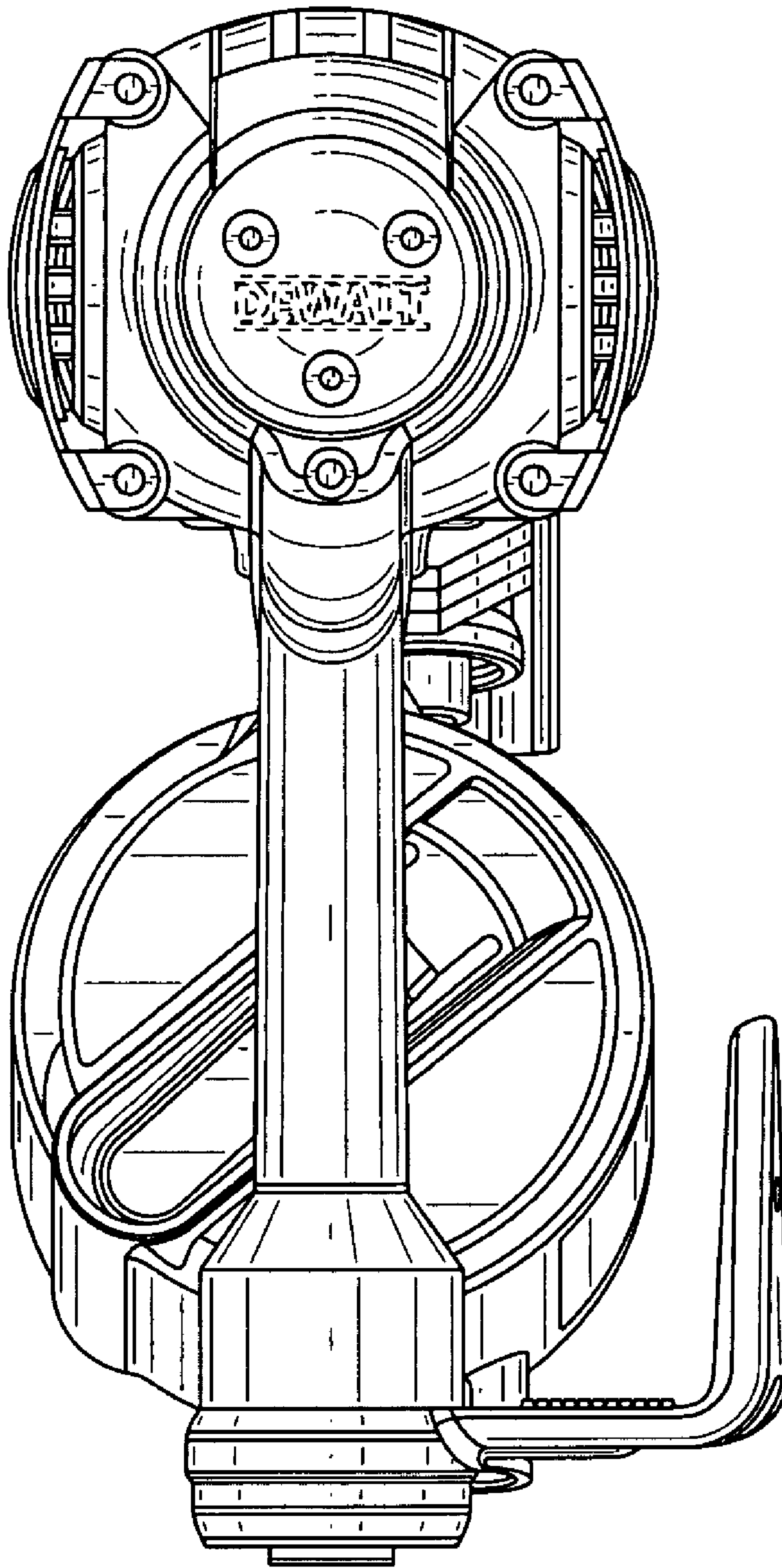


FIG. 4

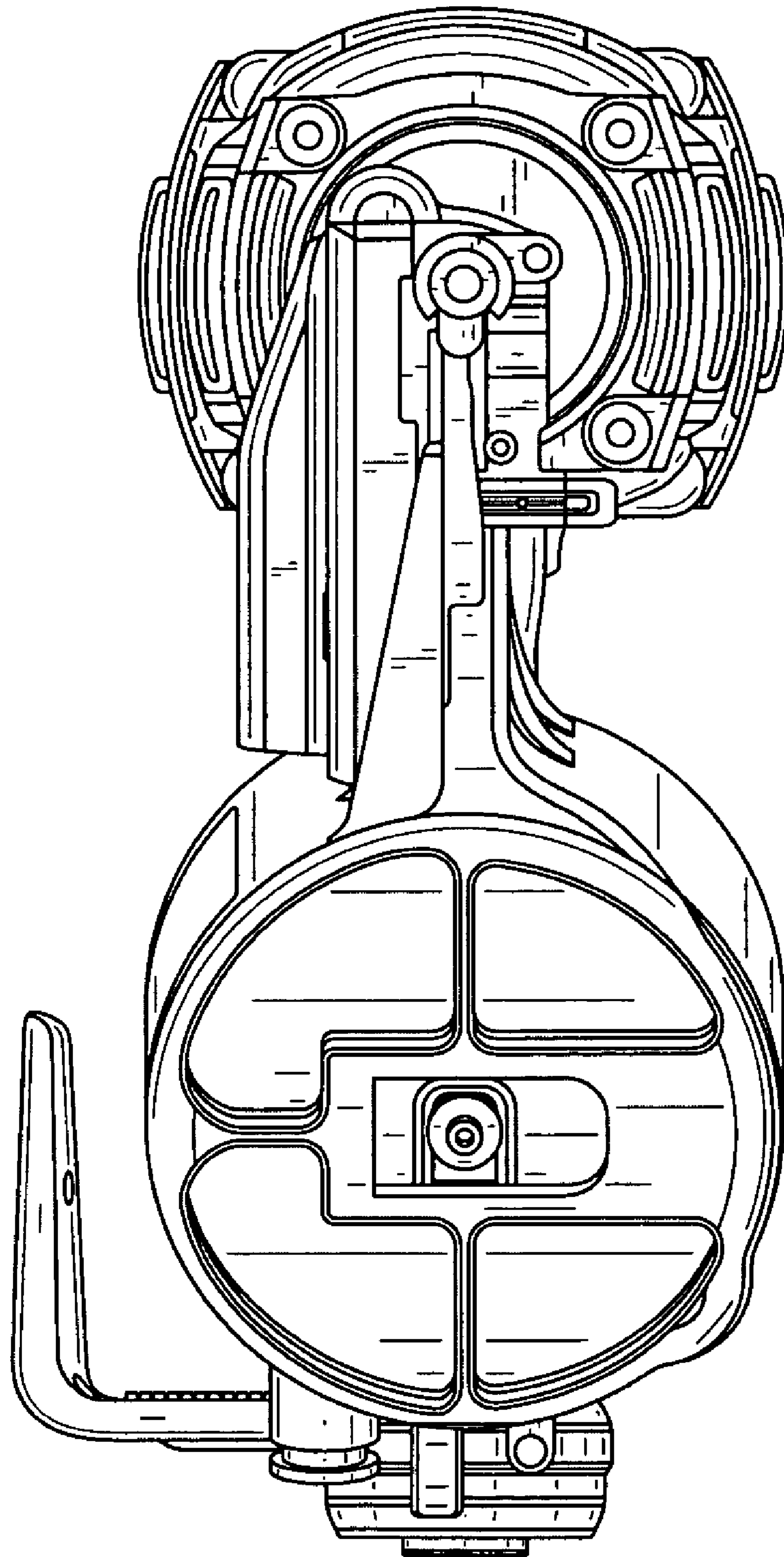


FIG. 5

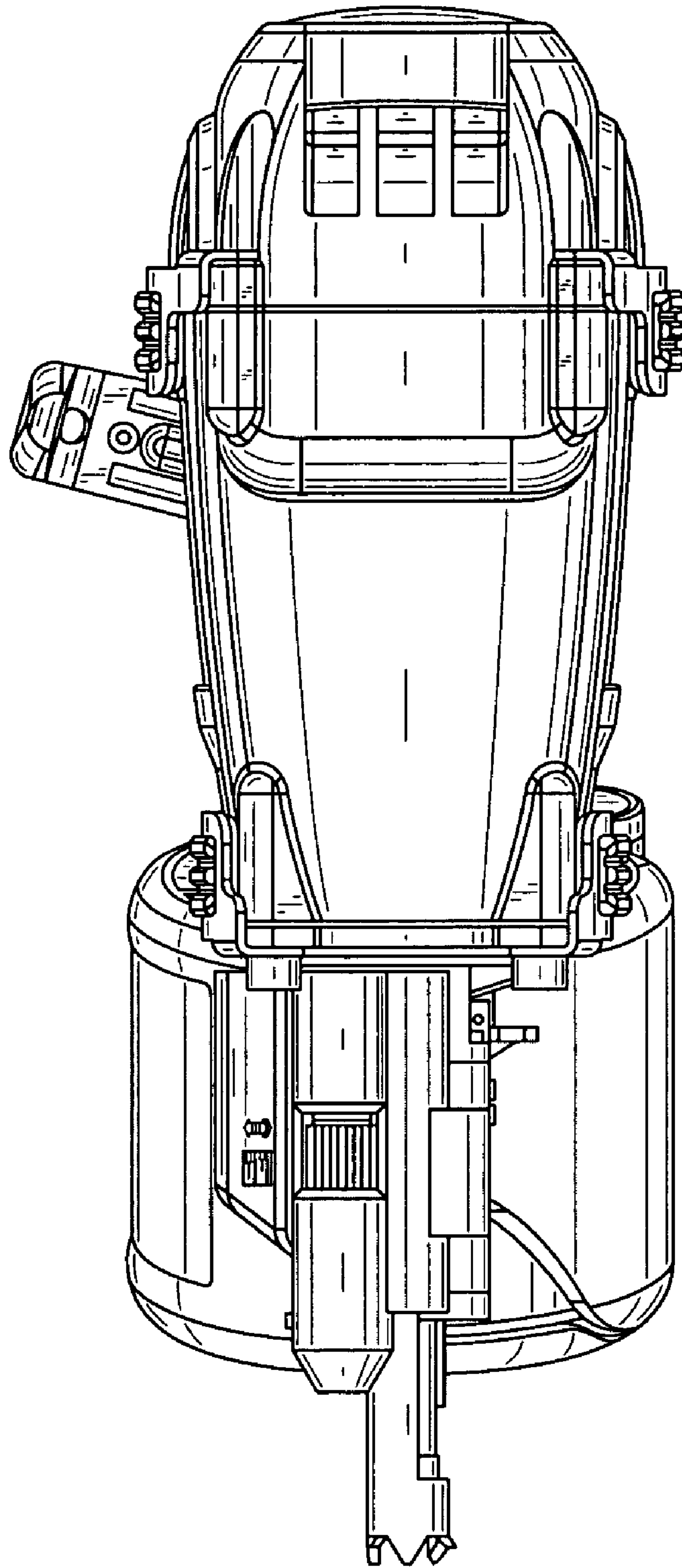


FIG. 6

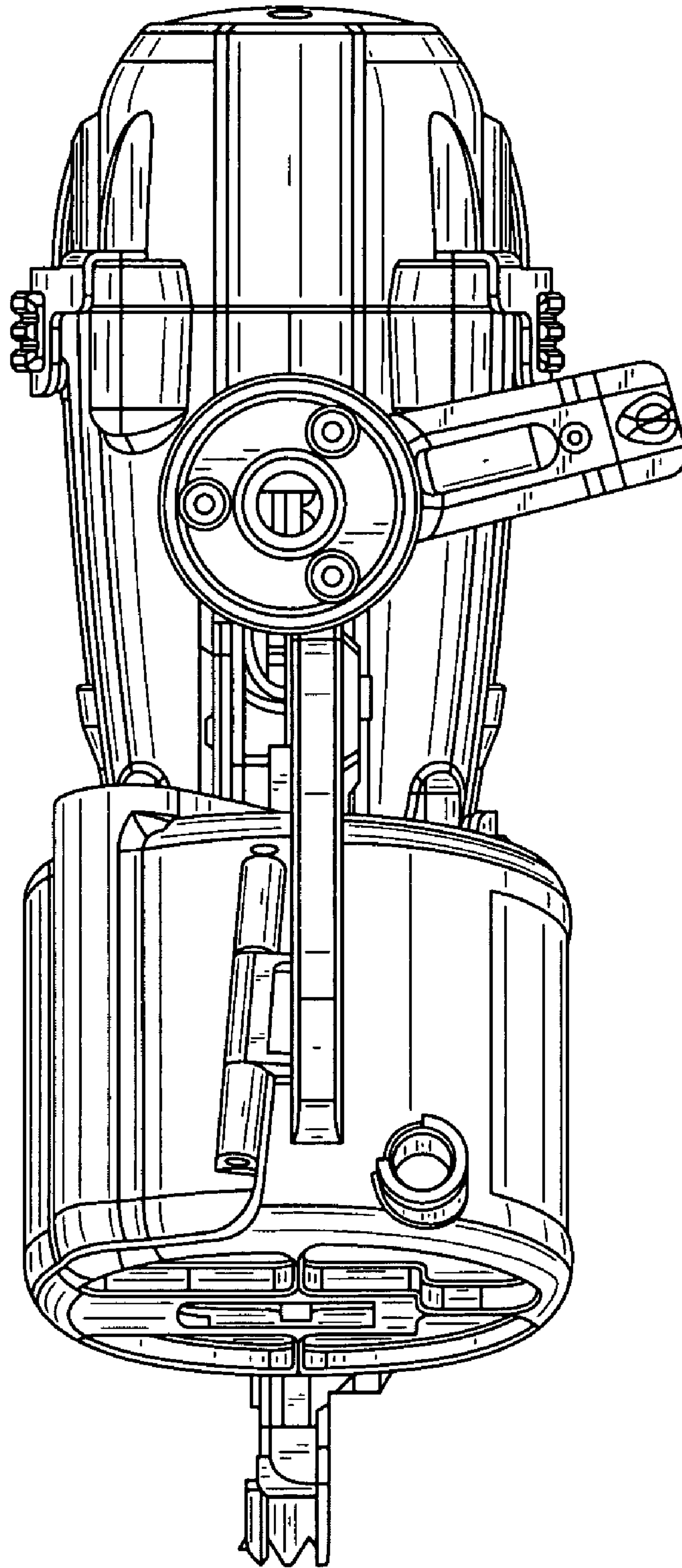


FIG. 7