



US00D591574S

(12) **United States Design Patent**
DiPasquale et al.

(10) **Patent No.:** **US D591,574 S**
(45) **Date of Patent:** **** May 5, 2009**

(54) **RECIPROCATING SAW**

7,426,786 B2 * 9/2008 Beville et al. 30/377

(75) Inventors: **Kathy E. DiPasquale**, Baltimore, MD
(US); **Robert P. Welsh**, Phoenix, MD
(US); **Lauren M. Wenchel**, Bel Air, MD
(US)

(73) Assignee: **Black & Decker Inc.**, Newark, DE (US)

(**) Term: **14 Years**

(21) Appl. No.: **29/294,827**

(22) Filed: **Jan. 29, 2008**

(51) **LOC (9) Cl.** **08-03**

(52) **U.S. Cl.** **D8/64**

(58) **Field of Classification Search** D9/61-69;
30/371, 376, 377, 392, 393, 394, 92; 74/49,
74/50; 83/699.21; 173/216, 217; 446/145
See application file for complete search history.

FOREIGN PATENT DOCUMENTS

DE	49904804.0	5/1999
DE	MR 401 09 686	10/2001
DE	40200721.2	1/2002
DE	40202701.9	3/2002
DE	MR 402 02 485	3/2002
DE	MR 402 04 834	6/2002
DE	MR 403 01 818	3/2003
EM	000114053-0001	4/2004
EM	000150693-0001	6/2004
EM	000150693-0002	6/2004
EM	000180302-0001	8/2004
EM	000239900-0001	1/2005
EM	000255823-0002	2/2005
EM	000439773-0001	1/2006

* cited by examiner

Primary Examiner—Antoine D Davis

(74) *Attorney, Agent, or Firm*—Kofi Schulerbrandt; Scott Markow; Adan Ayala

(56) **References Cited**

U.S. PATENT DOCUMENTS

D408,699 S	4/1999	Zurwelle	
D479,453 S *	9/2003	Lind et al.	D8/64
D504,603 S	5/2005	Xiaoxian	
6,912,790 B2 *	7/2005	James et al.	30/392
D524,130 S	7/2006	Wolf et al.	
D524,132 S *	7/2006	Welsh	D8/64
D525,842 S *	8/2006	Andriolo	D8/64
D525,845 S *	8/2006	Welsh	D8/64
7,096,589 B2 *	8/2006	Phillips et al.	30/392
D527,596 S	9/2006	Andriolo	
D527,597 S	9/2006	Andriolo	
7,168,169 B2	1/2007	Moreno	
7,204,026 B2 *	4/2007	Phillips et al.	30/394
D551,045 S *	9/2007	Kokawa	D8/64
D551,930 S *	10/2007	Yamada et al.	D8/64
D558,018 S *	12/2007	McRoberts et al.	D8/64

(57) **CLAIM**

The ornamental design for a reciprocating saw, as shown and described.

DESCRIPTION

FIG. 1 is a perspective view of a reciprocating saw showing the new design.

FIG. 2 is a front view thereof.

FIG. 3 is a rear view thereof.

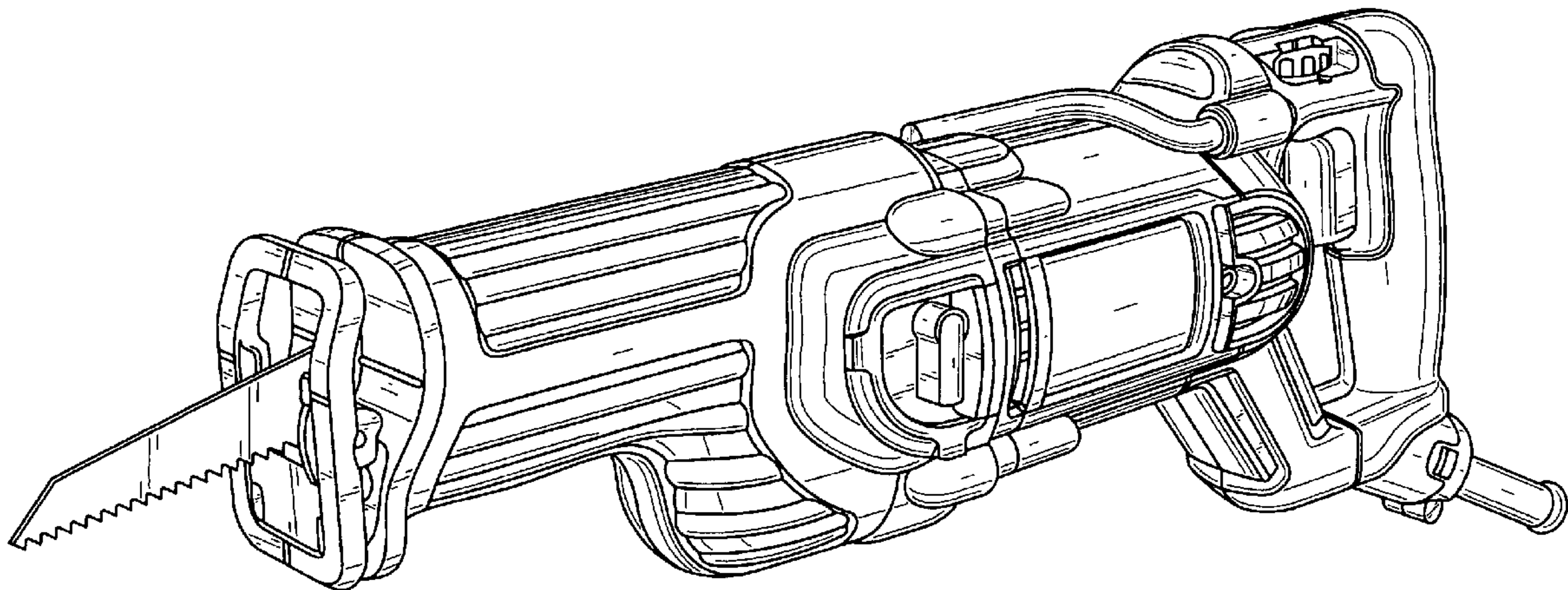
FIG. 4 is a right side view thereof.

FIG. 5 is a left side view thereof

FIG. 6 is a top view thereof; and,

FIG. 7 is a bottom view thereof.

1 Claim, 5 Drawing Sheets



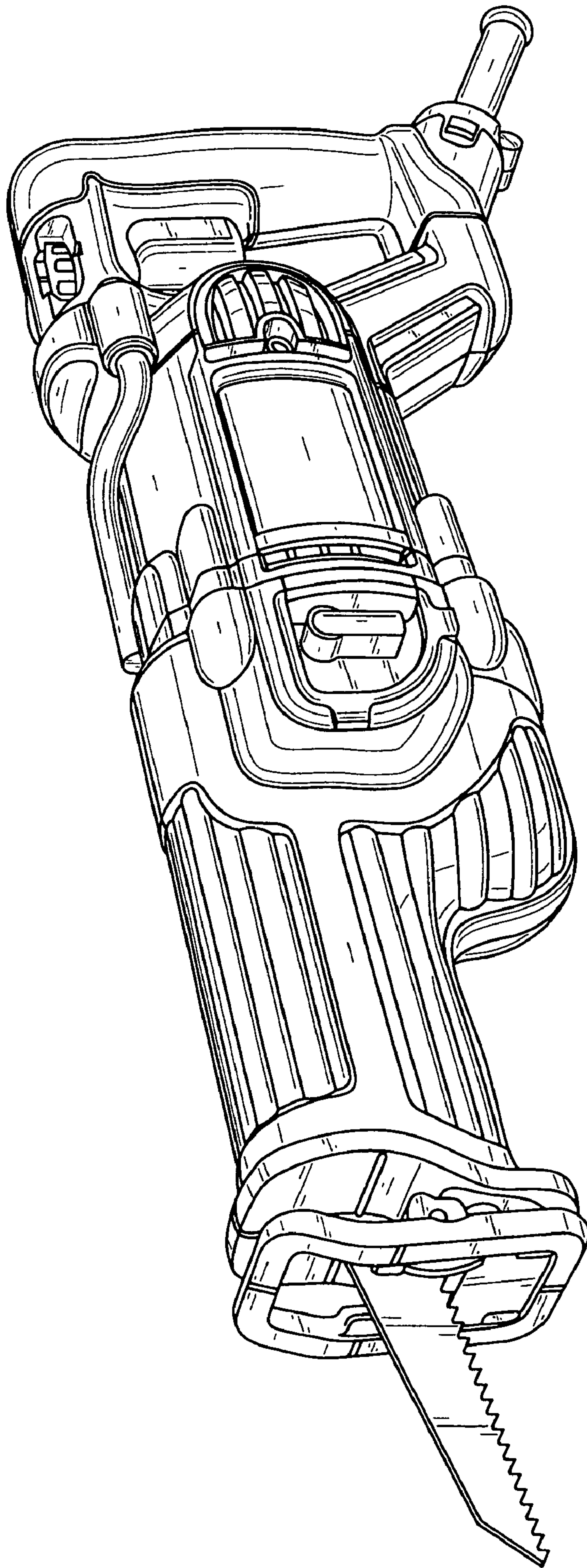


FIG. 1

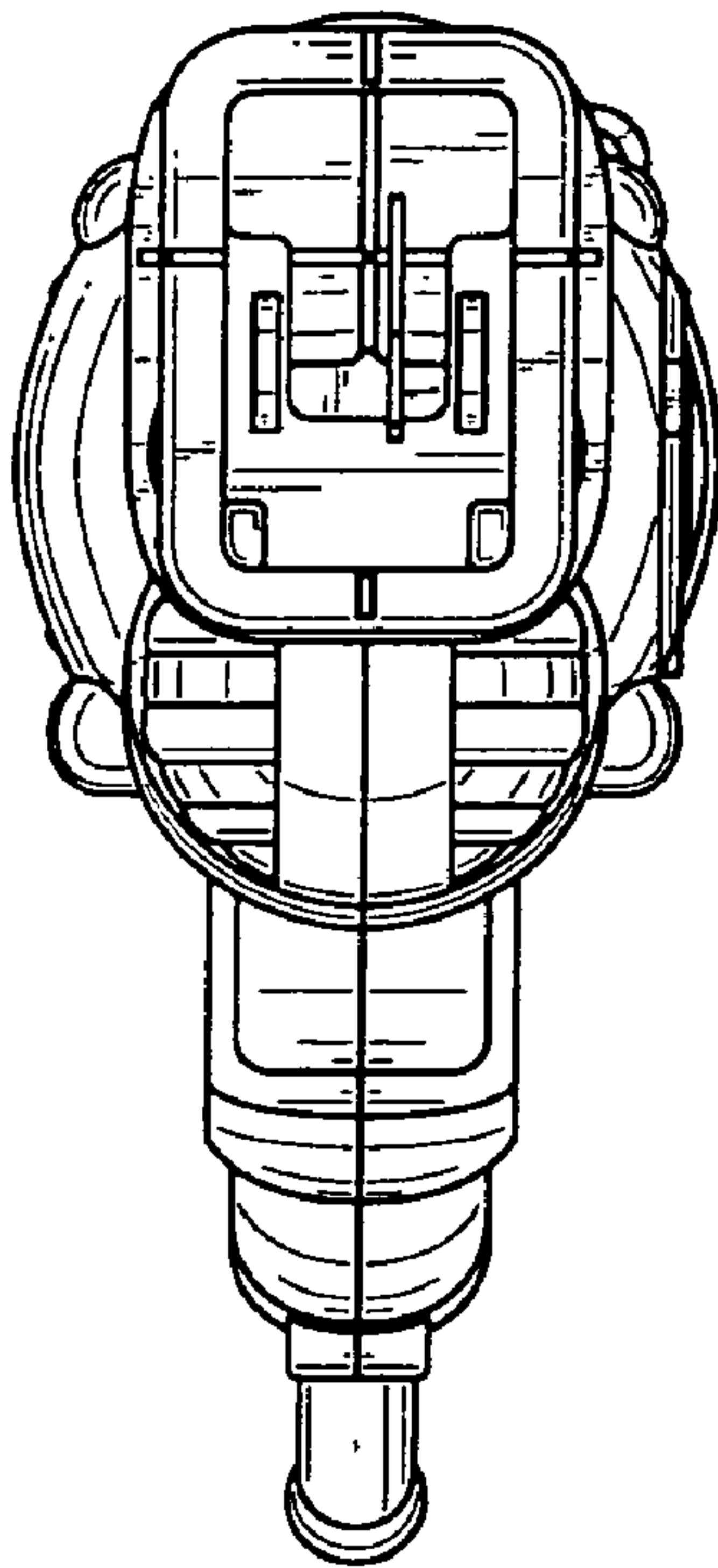


FIG. 2

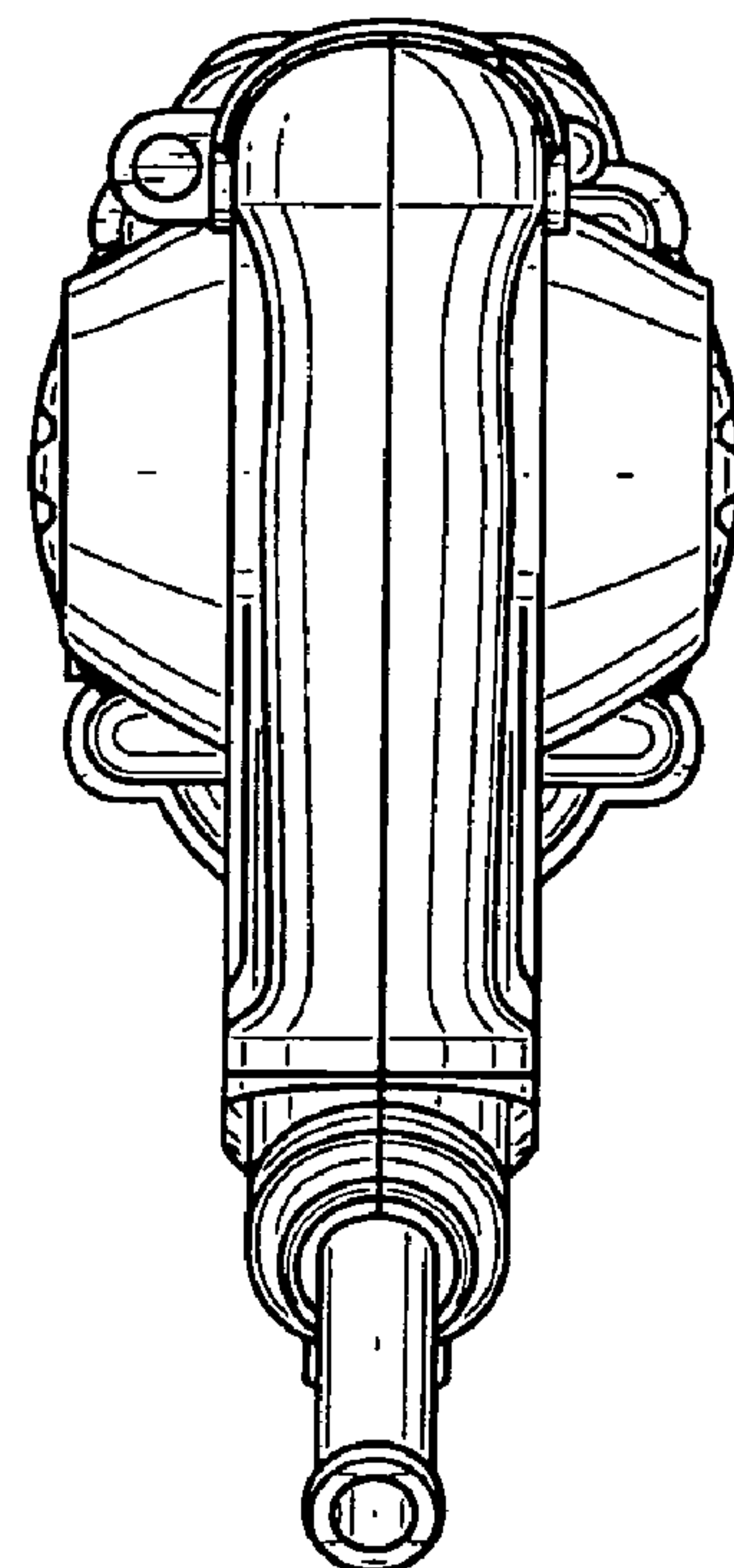


FIG. 3

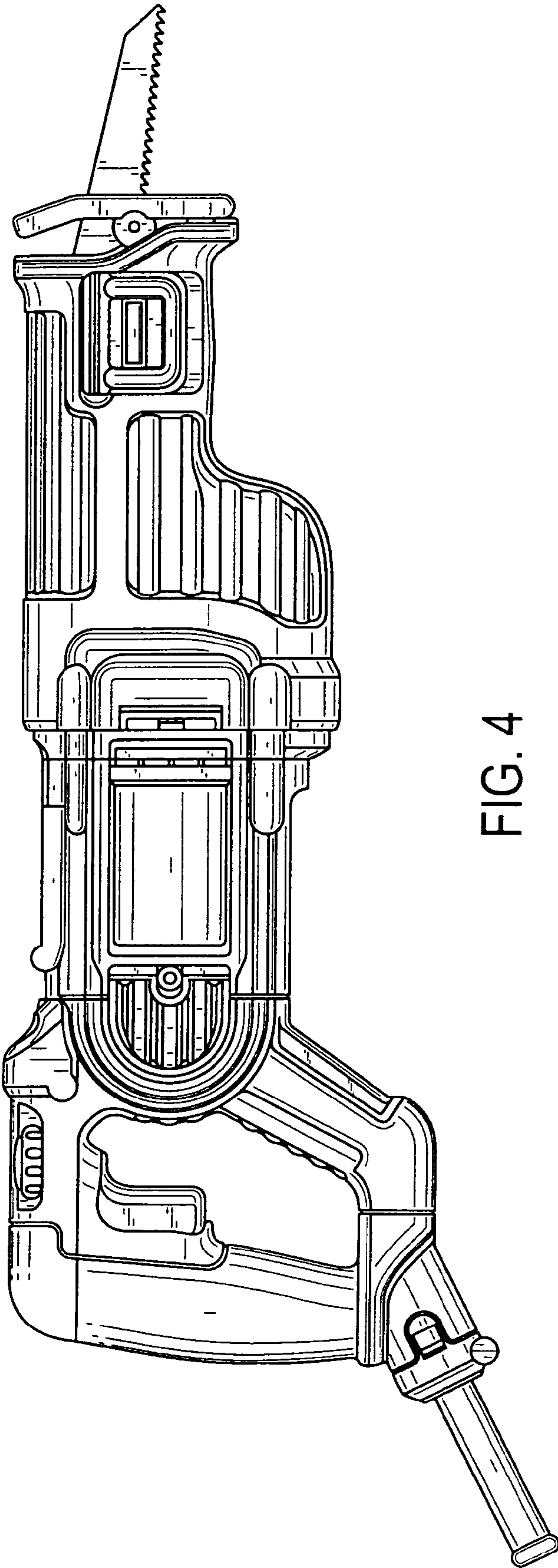


FIG. 4

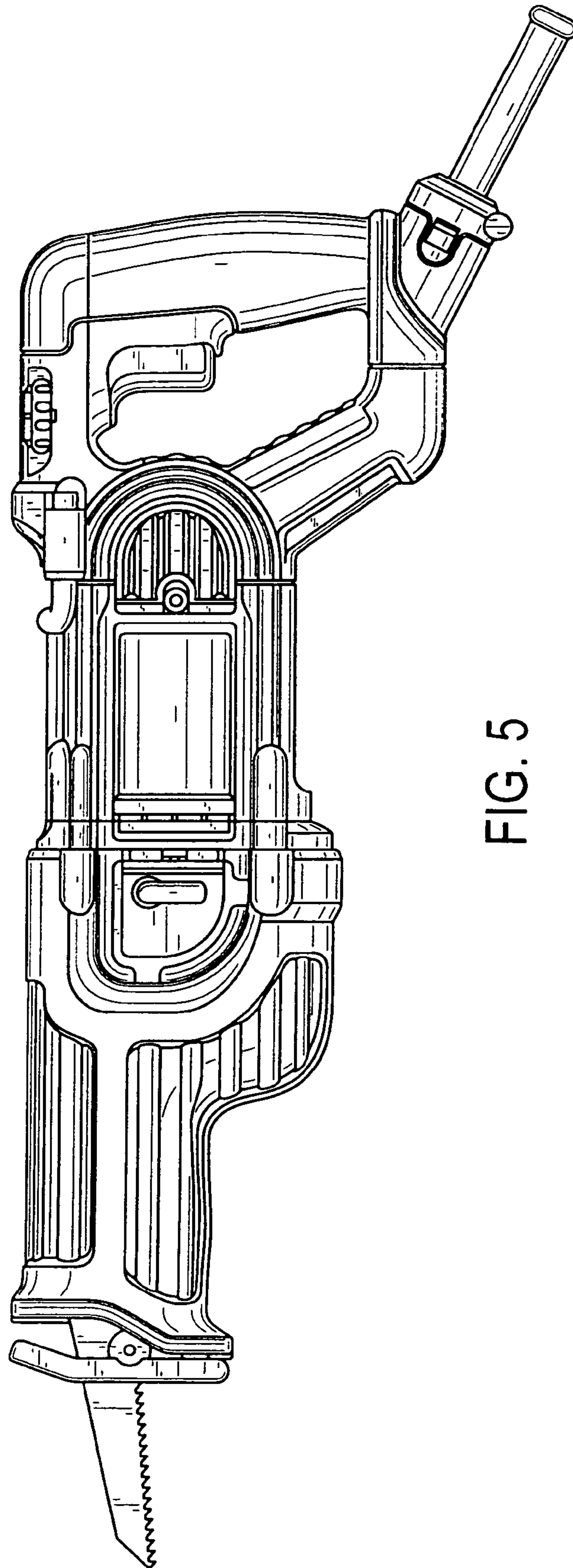


FIG. 5

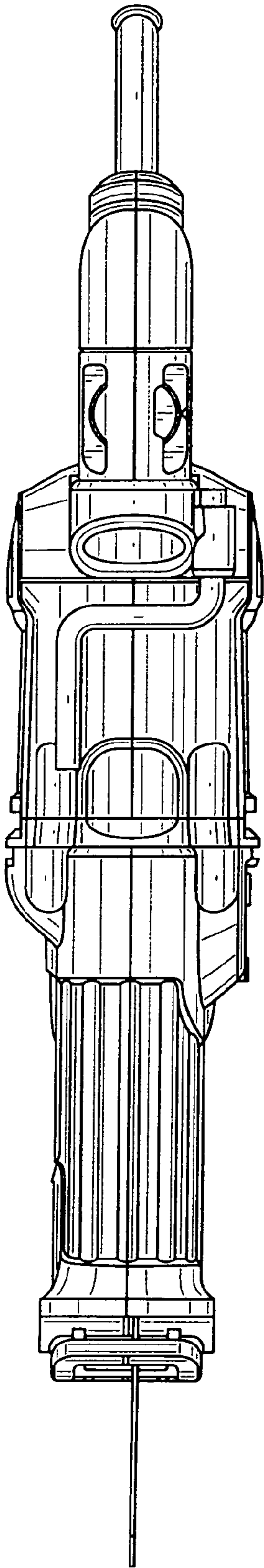


FIG. 6

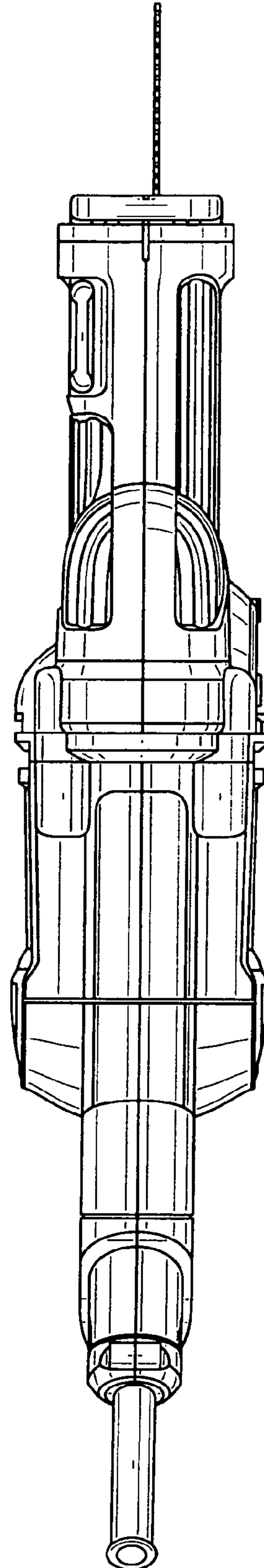


FIG. 7