



US00D591573S

(12) **United States Design Patent**  
**Wankowski**

(10) **Patent No.:** **US D591,573 S**

(45) **Date of Patent:** **\*\* May 5, 2009**

(54) **SCISSORS ADAPTER**

(76) Inventor: **Lori A Wankowski**, 2500 W.  
Manchester Ave., Milwaukee, WI (US)  
53221

(\*\*) Term: **14 Years**

(21) Appl. No.: **29/319,570**

(22) Filed: **Jun. 11, 2008**

(51) **LOC (9) Cl.** ..... **08-03**

(52) **U.S. Cl.** ..... **D8/57; D29/114**

(58) **Field of Classification Search** ..... D8/5,  
D8/14, 57, 58, 105, 107; D29/113, 114,  
D29/122, 123; 7/135, 136; 30/131, 195,  
30/229, 194, 230–235, 268, 350, 254–258  
See application file for complete search history.

(56) **References Cited**

**U.S. PATENT DOCUMENTS**

942,003	A *	11/1909	Marsh	.....	294/25
1,416,001	A *	5/1922	Detwiler	.....	2/21
2,039,505	A *	5/1936	Vollmer	.....	2/21
2,285,981	A *	6/1942	Johns	.....	2/21
D364,007	S *	11/1995	McLaren et al.	.....	D29/113
5,749,097	A *	5/1998	Garrett-Roe	.....	2/21
D403,138	S *	12/1998	Wilmot	.....	D29/117.2
5,842,227	A *	12/1998	Rabin et al.	.....	2/21
D422,121	S *	3/2000	Peck	.....	D29/114
D435,319	S *	12/2000	Murphy	.....	D29/113
6,341,424	B1 *	1/2002	Kenny et al.	.....	30/232

D558,929 S \* 1/2008 Bleakney ..... D29/114

\* cited by examiner

*Primary Examiner*—Cathron C Brooks

*Assistant Examiner*—Deanna Fluegeman

(74) *Attorney, Agent, or Firm*—Andrus, Scales, Starke &  
Sawall, LLP

(57) **CLAIM**

The ornamental design for a scissors adapter, as shown and described.

**DESCRIPTION**

FIG. 1 is a bottom perspective of a scissors adapter for a right handed scissors showing my new ornamental design.

FIG. 2 is a plan view of the scissors adapter shown in FIG. 1;

FIG. 3 is a front elevational view of the scissors adapter shown in FIG. 2;

FIG. 4 is a view of the scissors adapter taken from the left side of FIG. 2;

FIG. 5 is a top view of the scissors adapter shown in FIG. 2;

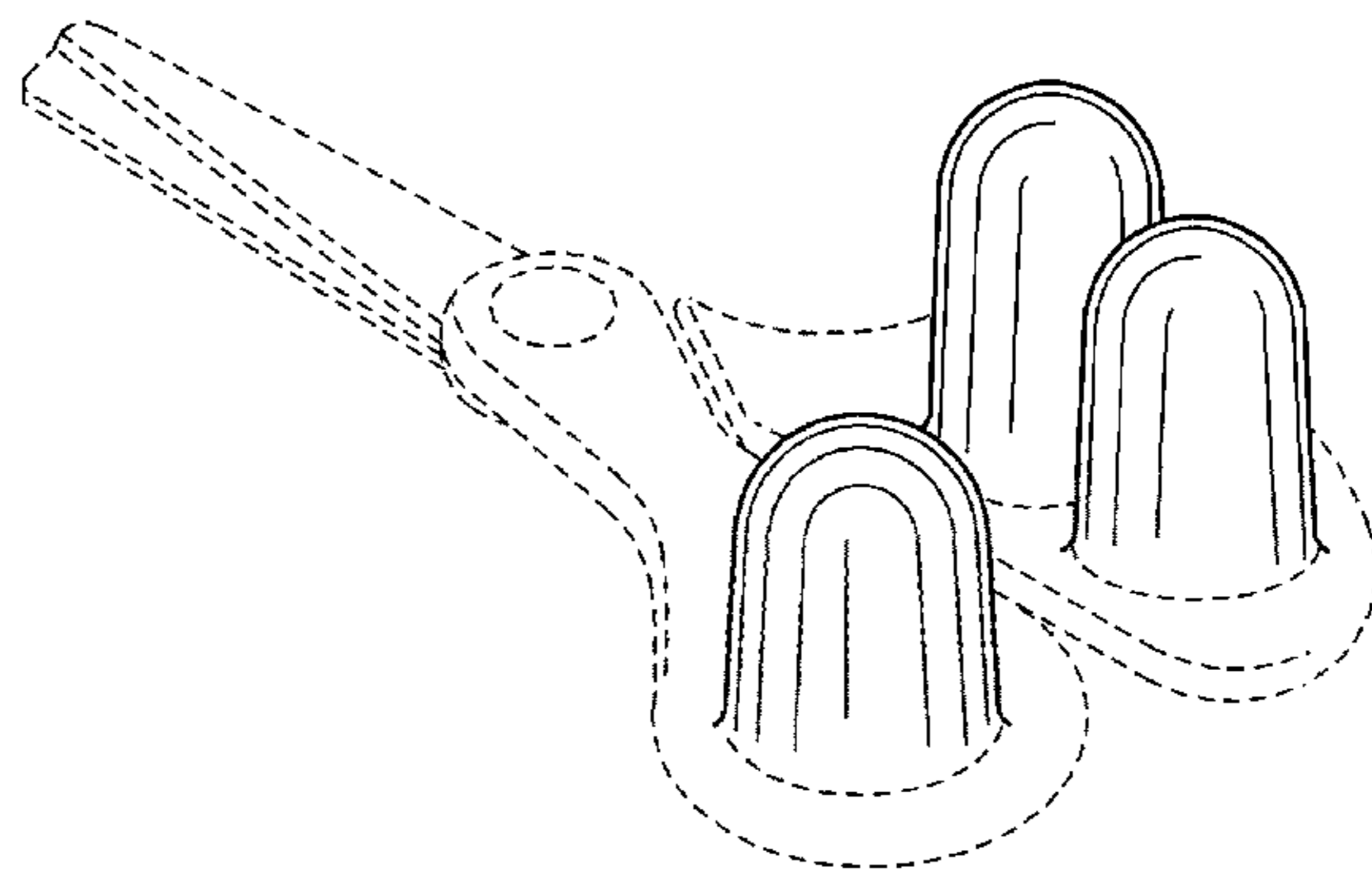
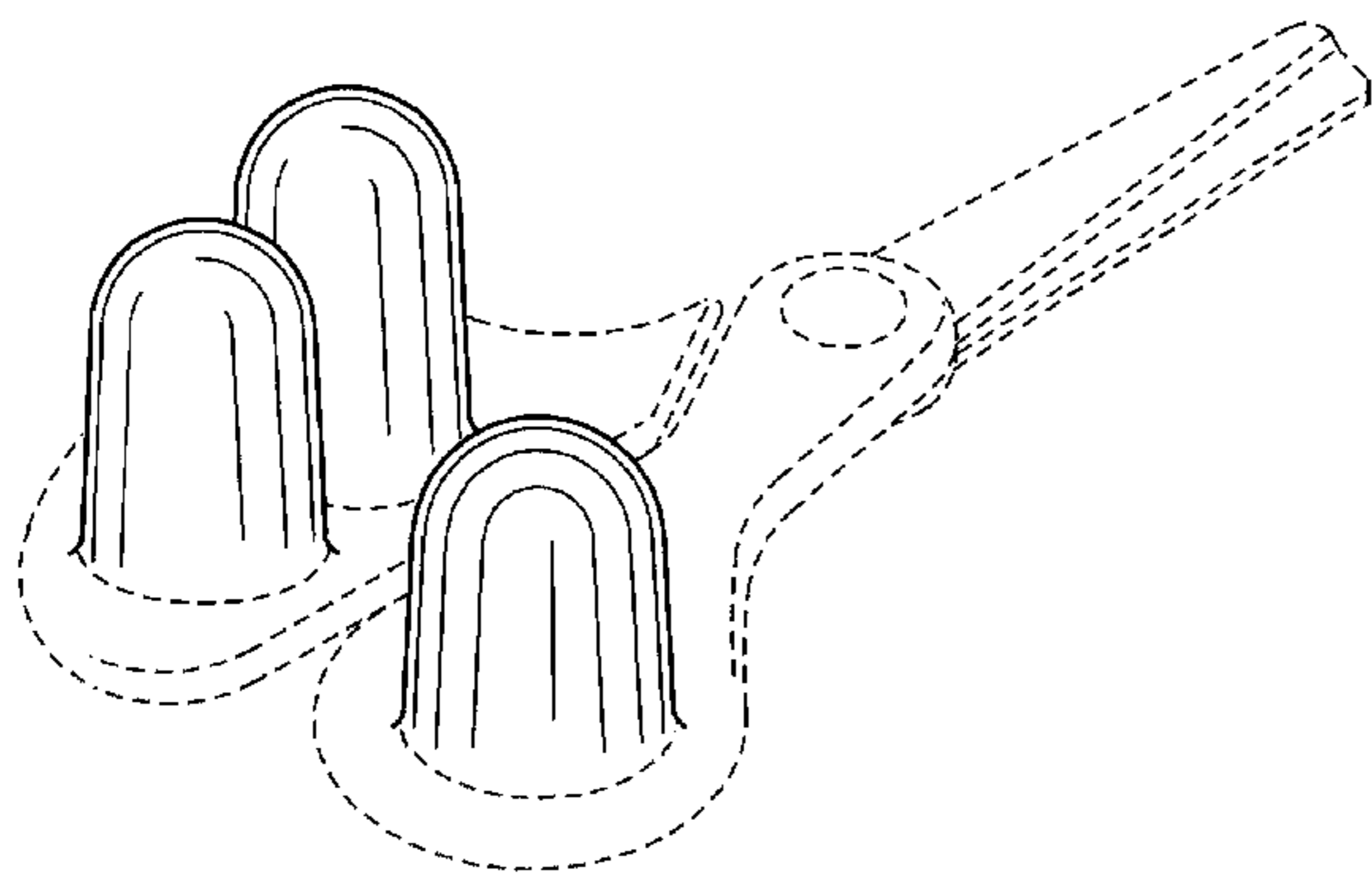
FIG. 6 is a rear elevational view of the scissors adapter shown in FIG. 2;

FIG. 7 is a view of the scissors adapter taken from the right side of FIG. 2; and,

FIG. 8 is a bottom perspective of a scissors adapter for a left handed scissors showing my new ornamental design.

The portions of the scissors shown in broken lines form no part of the claimed design.

**1 Claim, 3 Drawing Sheets**



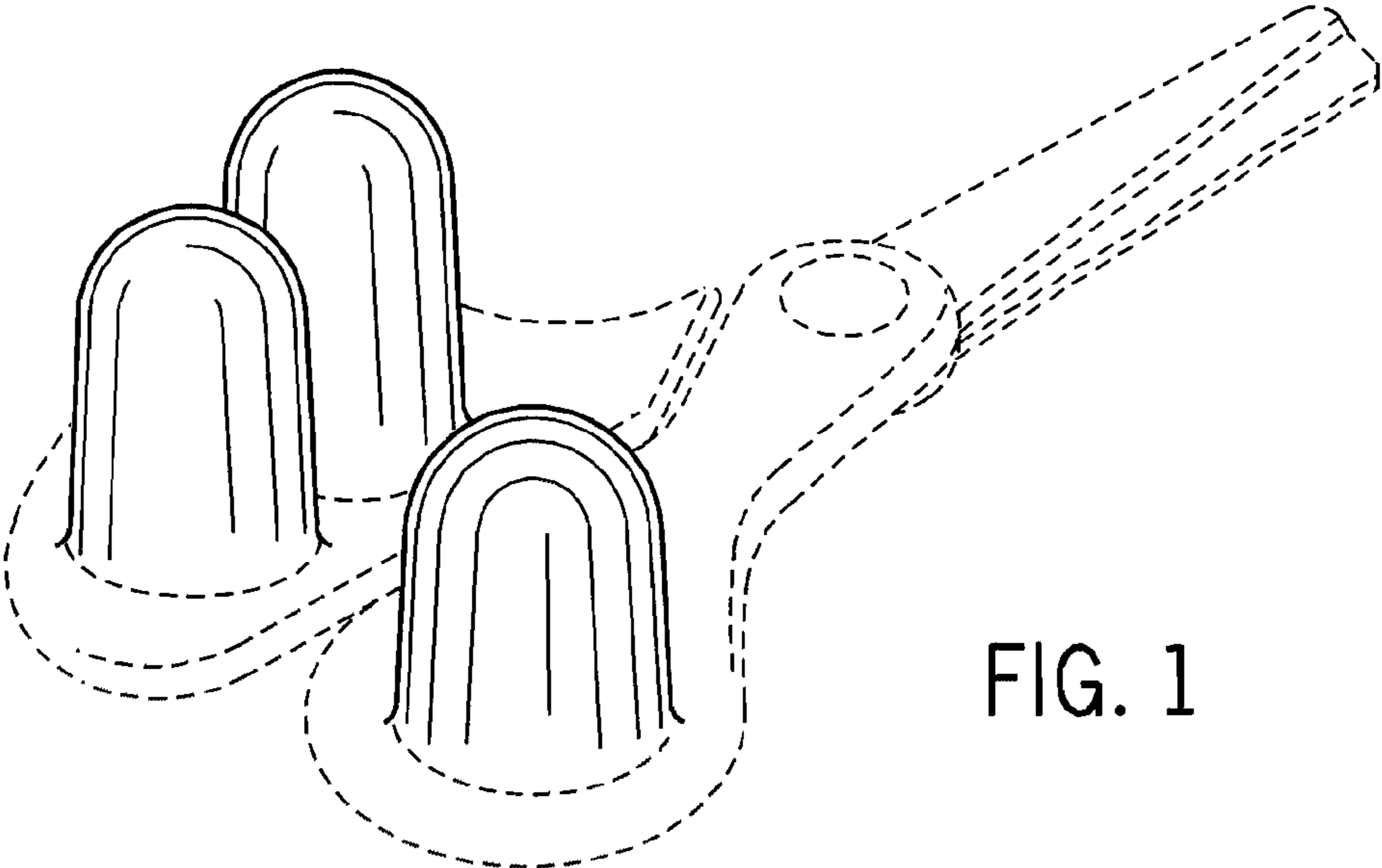


FIG. 1

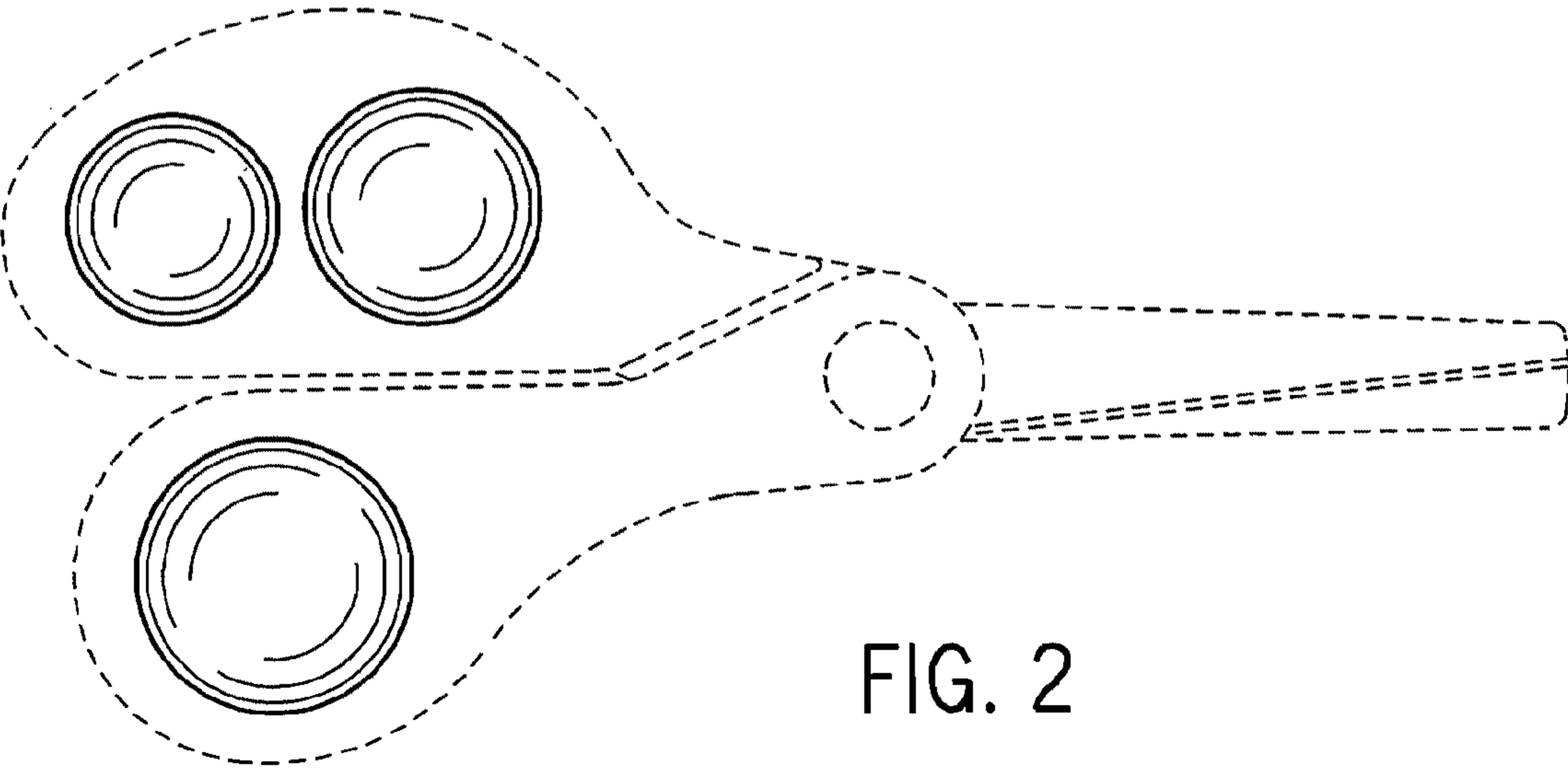


FIG. 2

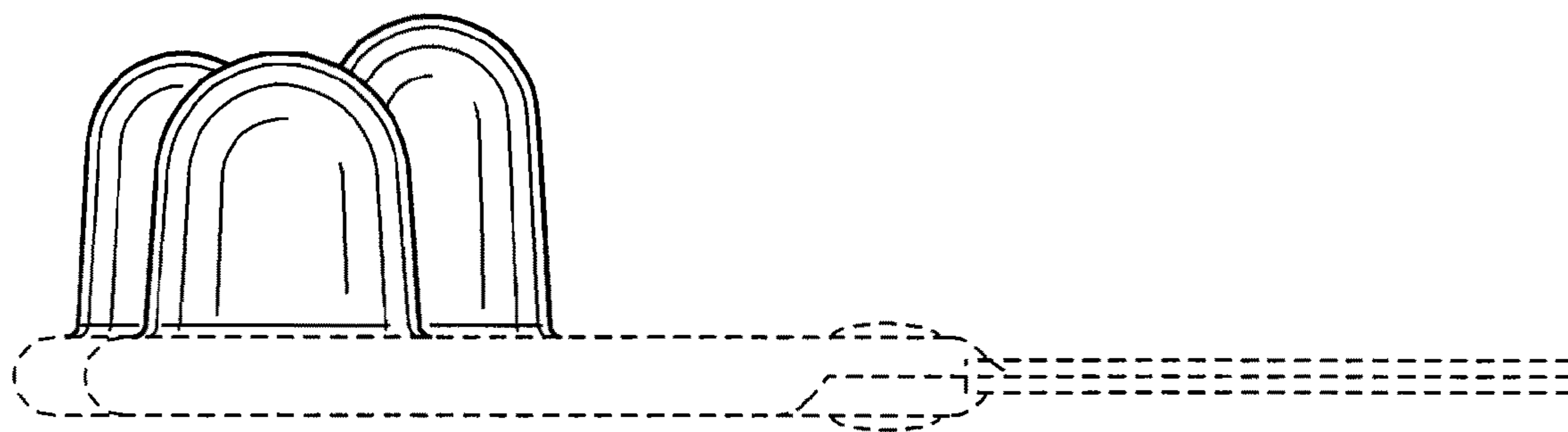


FIG. 3

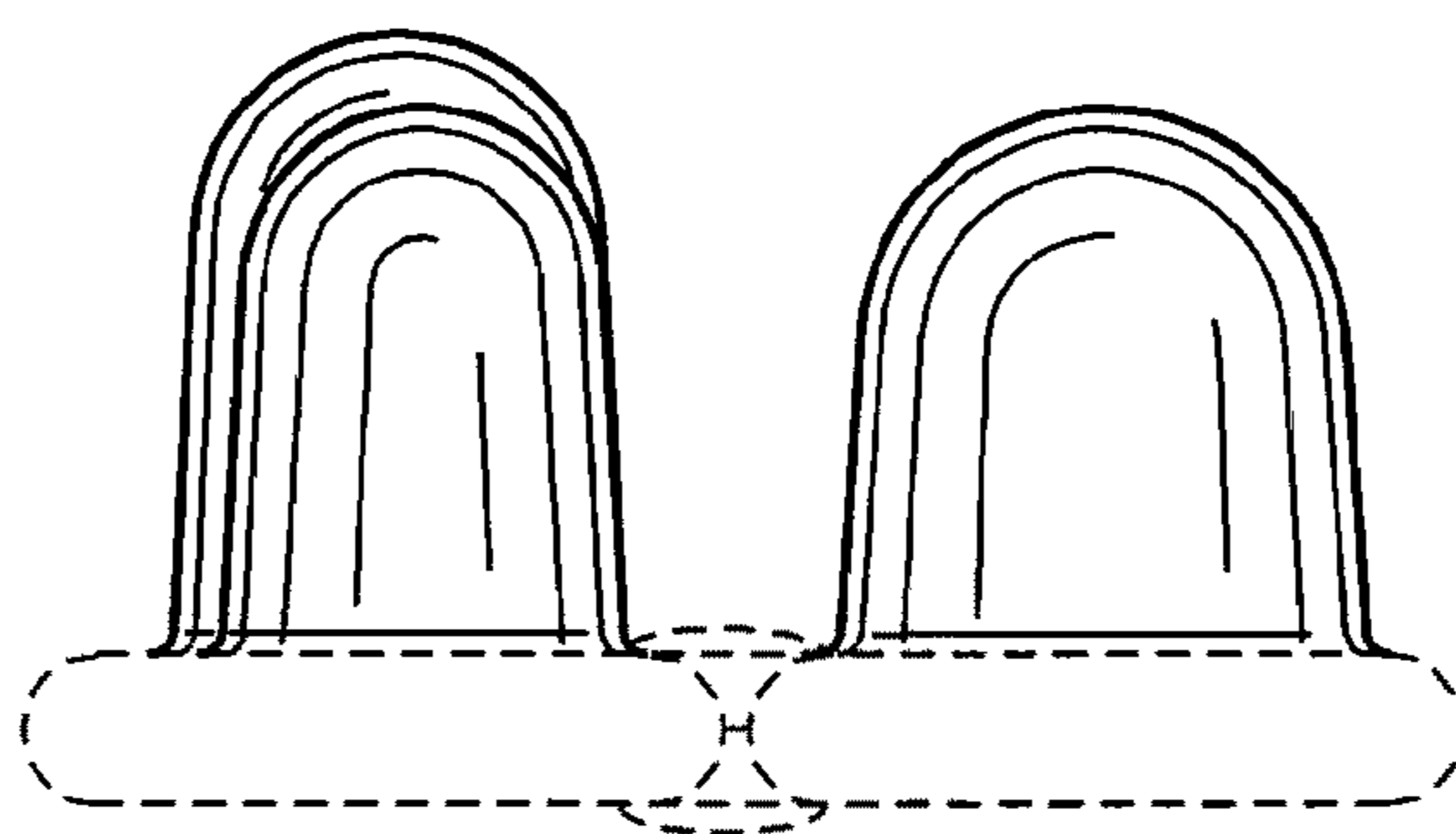


FIG. 4

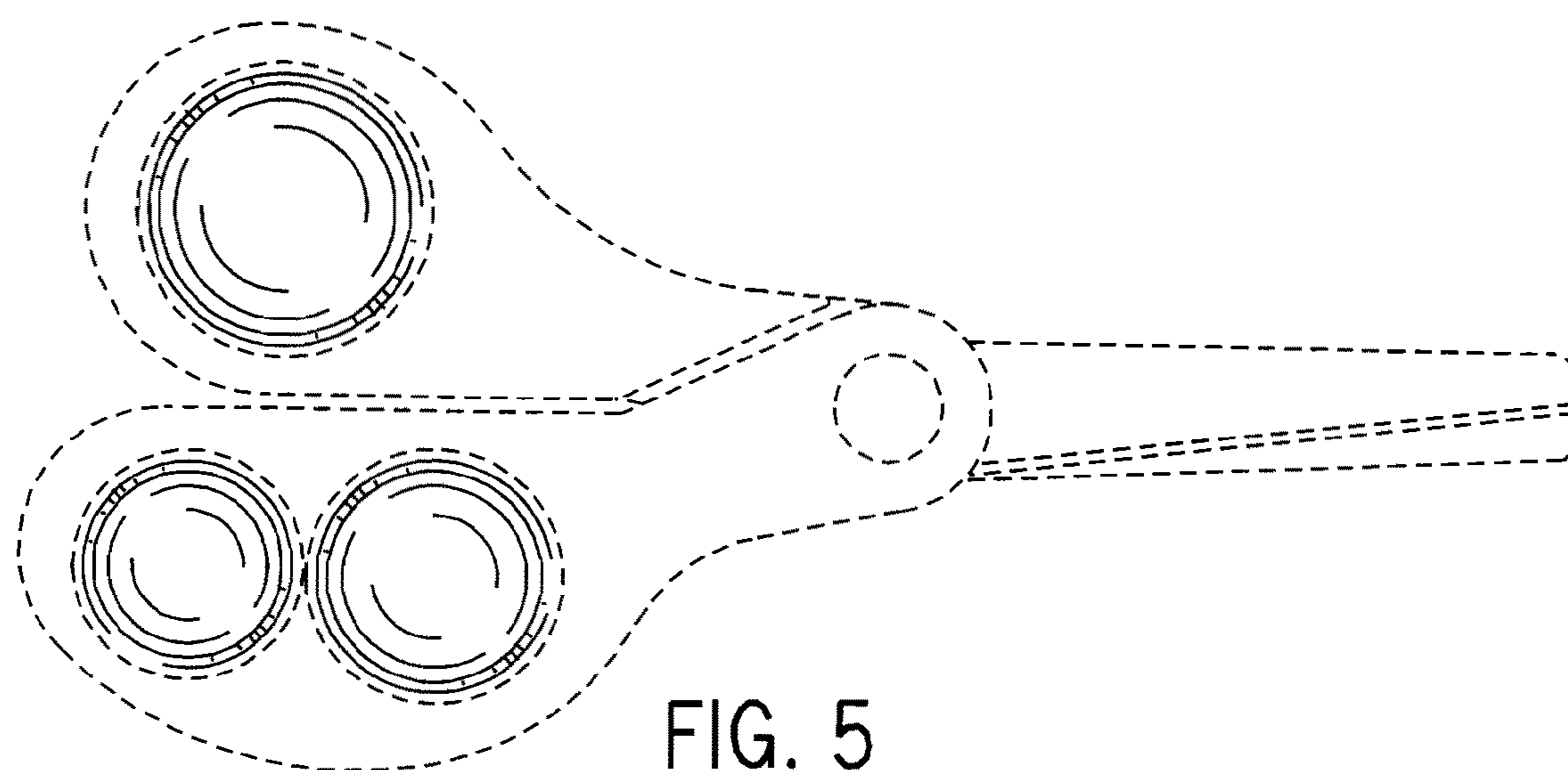


FIG. 5

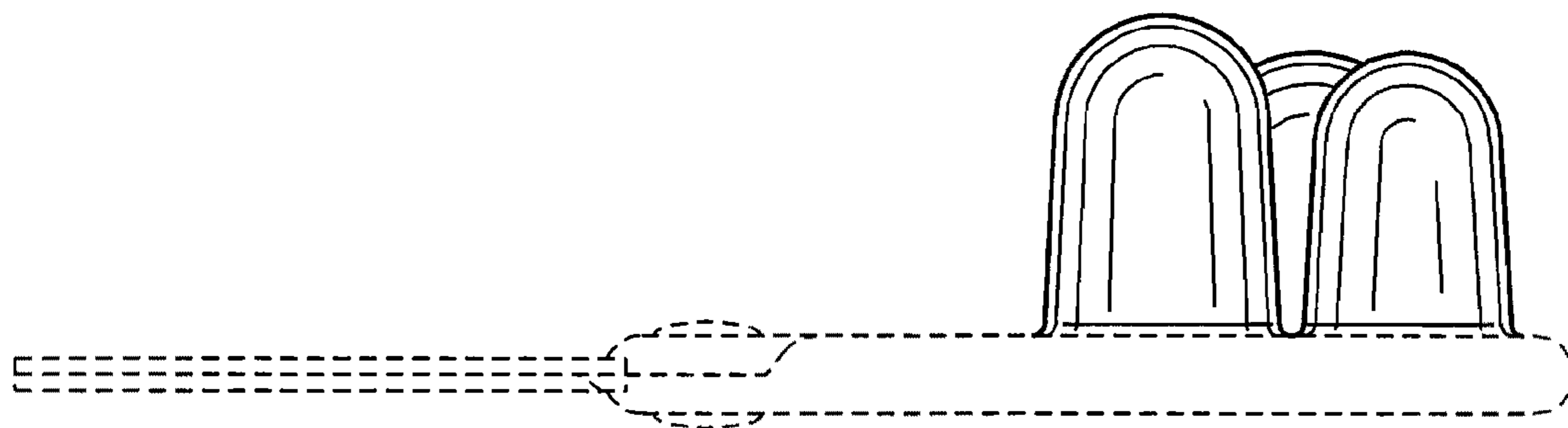


FIG. 6

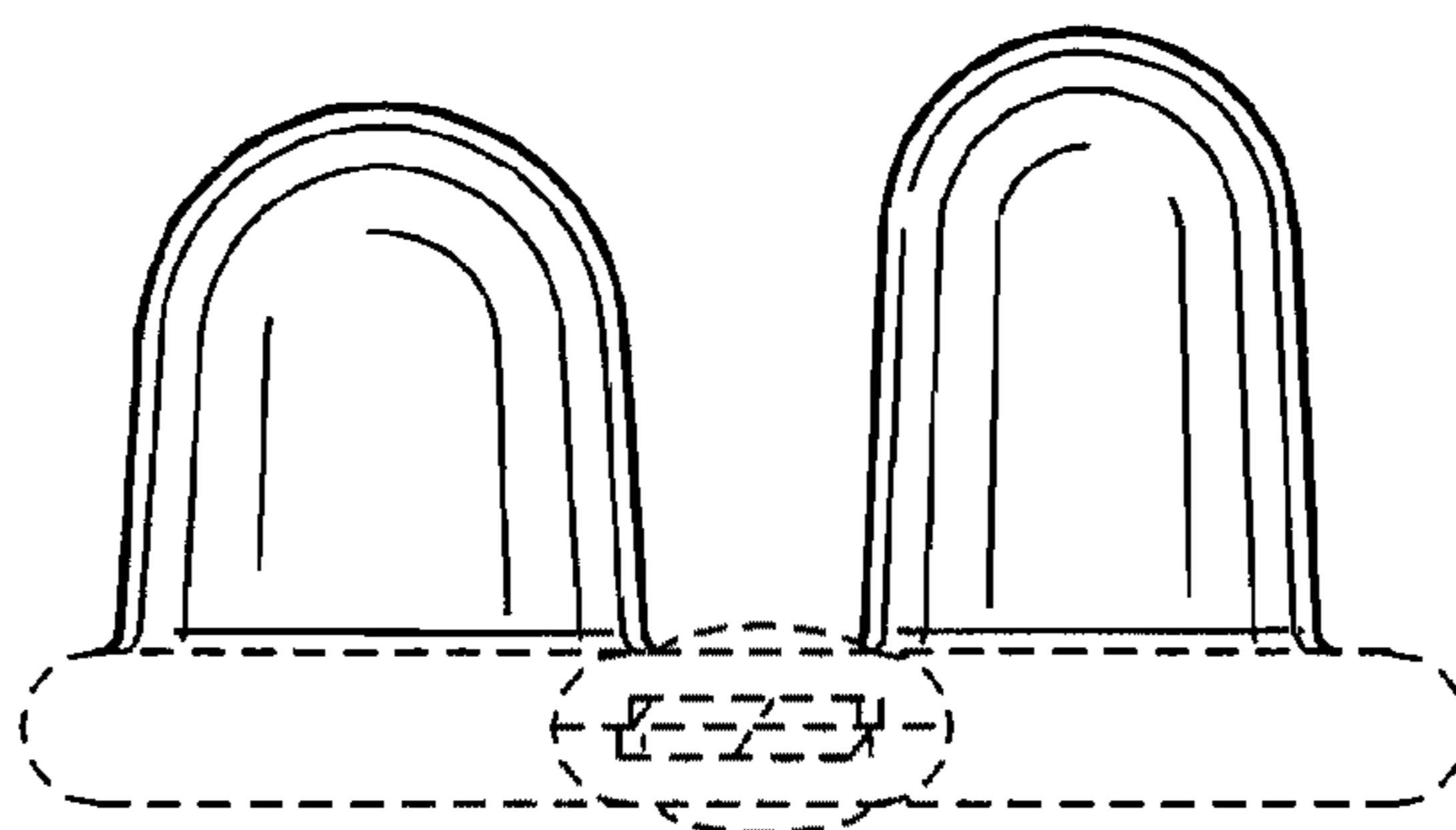


FIG. 7

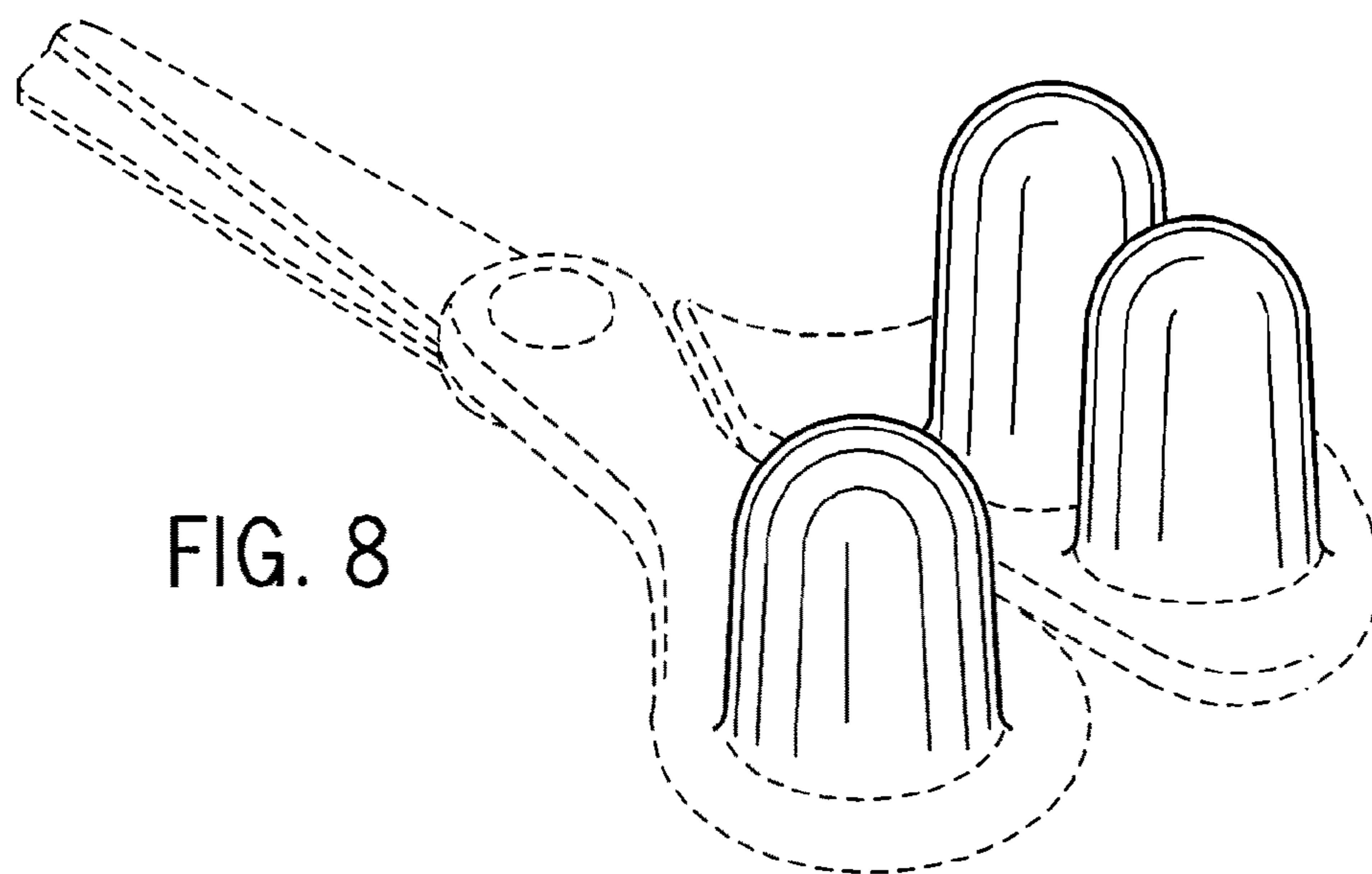


FIG. 8