



US00D591571S

(12) **United States Design Patent**  
**Ghirardi**

(10) **Patent No.:** **US D591,571 S**

(45) **Date of Patent:** **\*\* May 5, 2009**

(54) **HEDGE TRIMMER**

(75) Inventor: **Simone Ghirardi**, Parma (IT)

(73) Assignee: **A.M.A. S.p.A.**, San Martino in Rio (IT)

(\*\*) Term: **14 Years**

(21) Appl. No.: **29/327,388**

(22) Filed: **Nov. 5, 2008**

**Related U.S. Application Data**

(62) Division of application No. 29/289,716, filed on Jul. 30, 2007, now Pat. No. Des. 582,736.

(51) **LOC (9) Cl.** ..... **08-01**

(52) **U.S. Cl.** ..... **D8/8**

(58) **Field of Classification Search** ..... D8/8,  
D8/9; 56/234, 233, 12.7; 30/216, 383, 382,  
30/208, 276

See application file for complete search history.

(56) **References Cited**

**U.S. PATENT DOCUMENTS**

- 4,979,306 A \* 12/1990 Koga et al. .... 30/381
- D356,013 S \* 3/1995 Kiyooka et al. .... D8/8
- 5,718,050 A \* 2/1998 Keller et al. .... 30/123.4
- 5,896,669 A \* 4/1999 Uhl ..... 30/383

- 6,112,419 A \* 9/2000 Uhl et al. .... 30/383
- 6,588,110 B2 \* 7/2003 Galster et al. .... 30/382
- 7,152,328 B2 \* 12/2006 Champlin ..... 30/381
- D554,451 S \* 11/2007 Lin ..... D8/9
- 2007/0062361 A1 \* 3/2007 Xiong et al. .... 83/814

\* cited by examiner

*Primary Examiner*—Holly H Baynham

*Assistant Examiner*—Sheryl Lane

(74) *Attorney, Agent, or Firm*—Frommer Lawrence & Haug LLP; Ronald R. Santucci

(57) **CLAIM**

The ornamental design for a hedge trimmer, as shown and described.

**DESCRIPTION**

FIG. 1 is a perspective view of a hedge trimmer of the present invention;

FIG. 2 is a right side view thereof;

FIG. 3 is a left side view thereof;

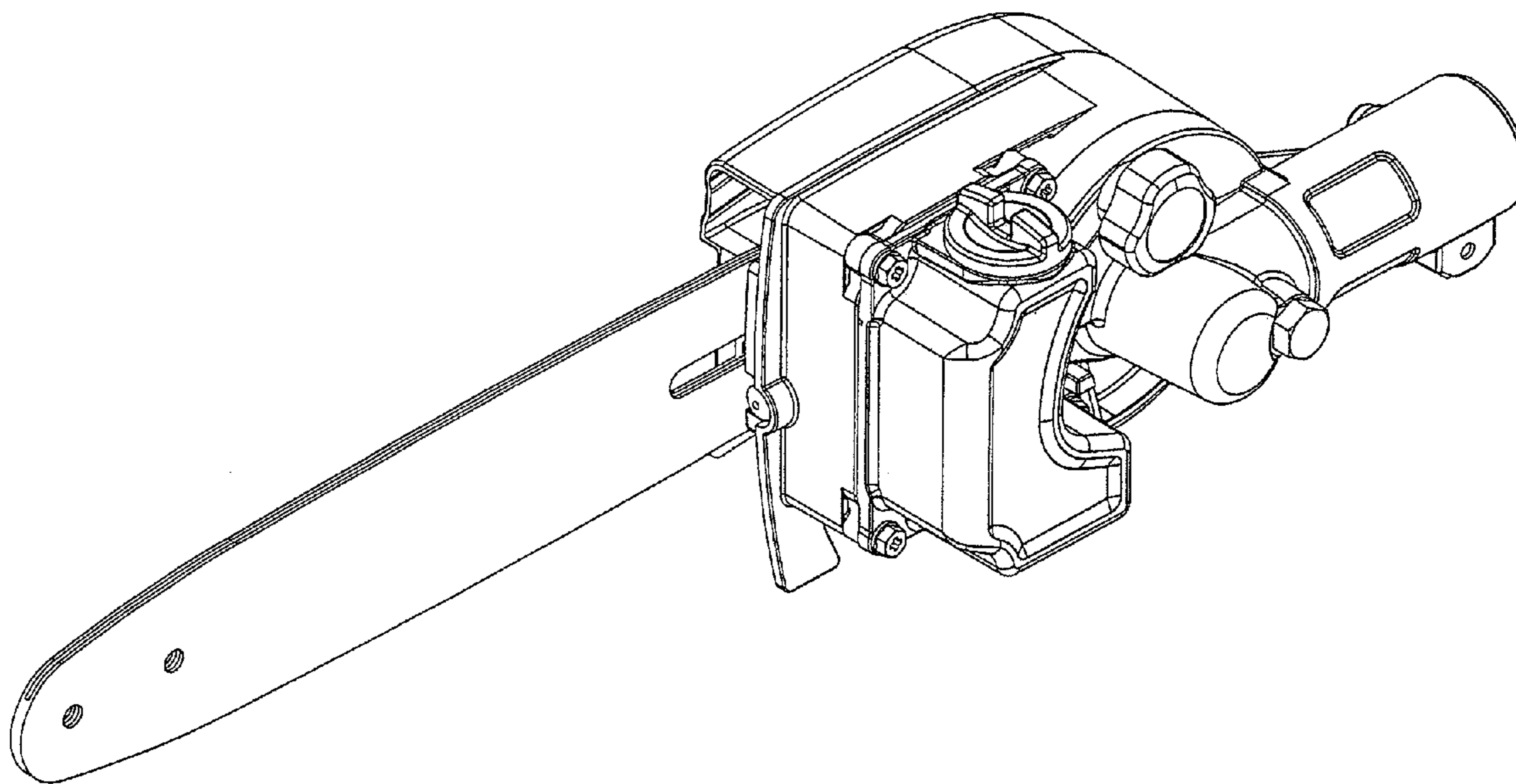
FIG. 4 is a front view thereof;

FIG. 5 is a rear view thereof;

FIG. 6 is a top plan view thereof; and,

FIG. 7 is a bottom plan view thereof.

**1 Claim, 7 Drawing Sheets**



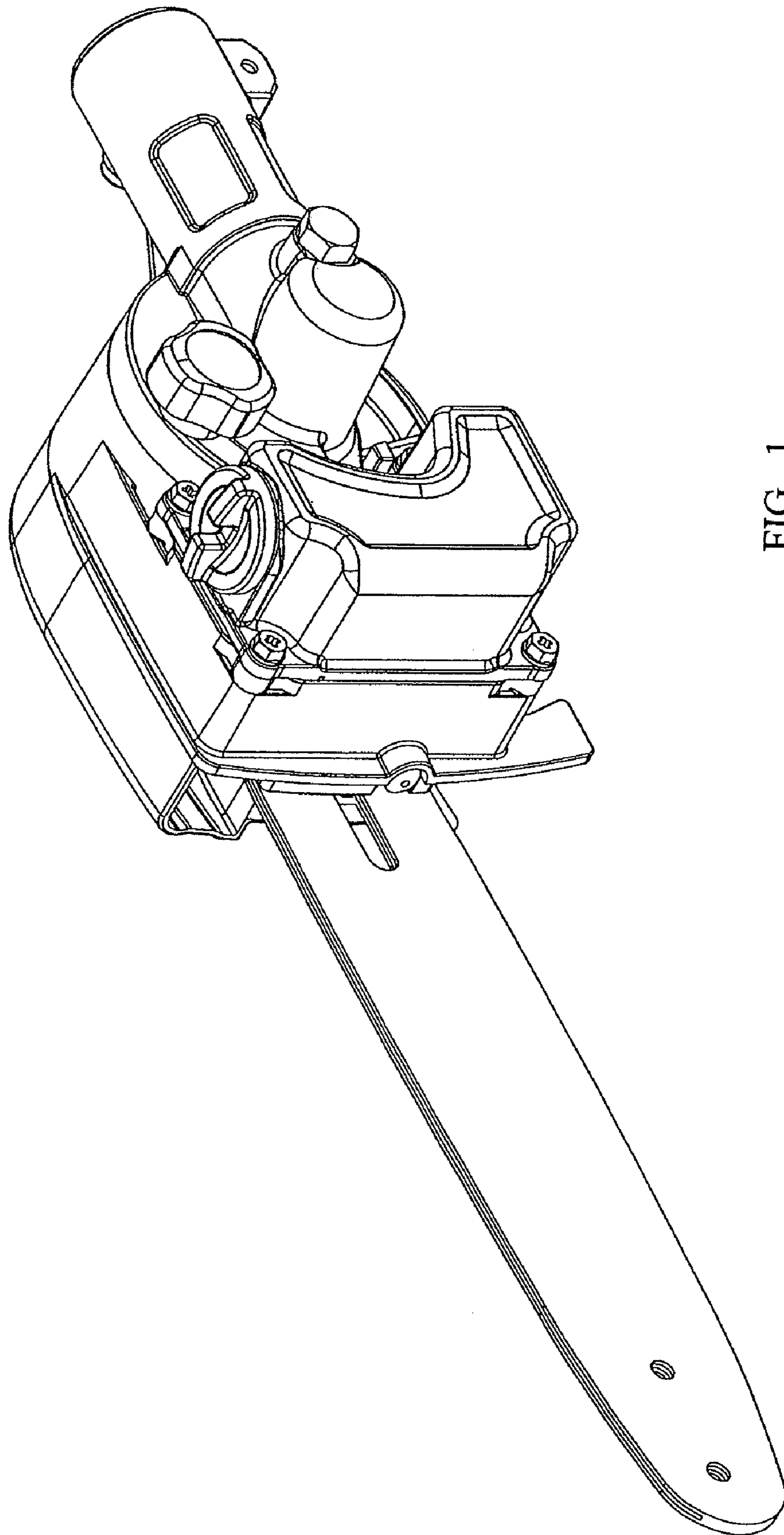


FIG. 1

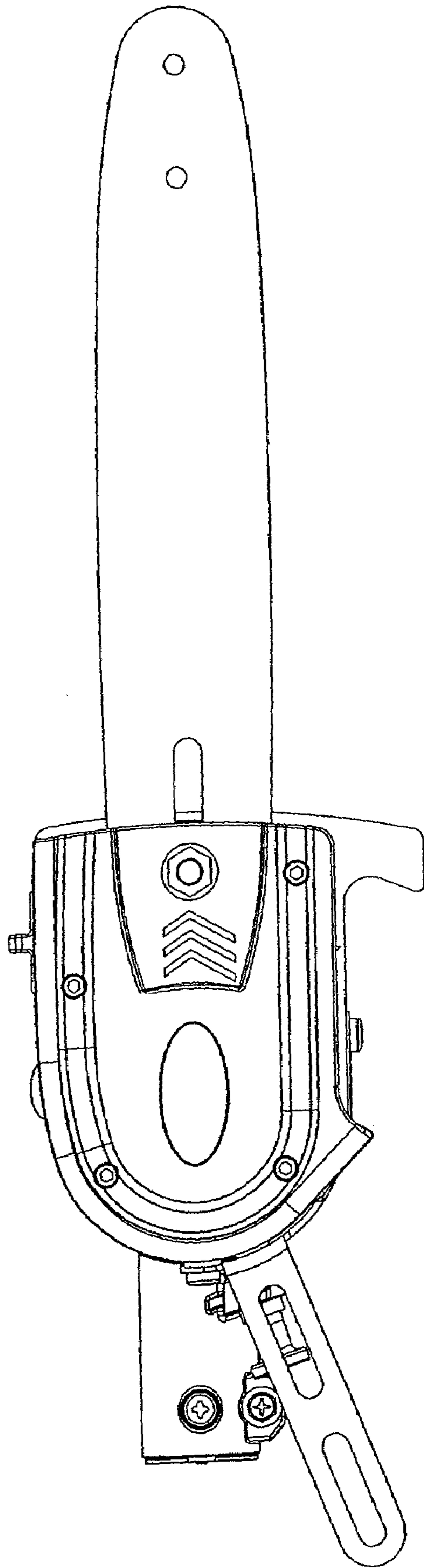


FIG. 2

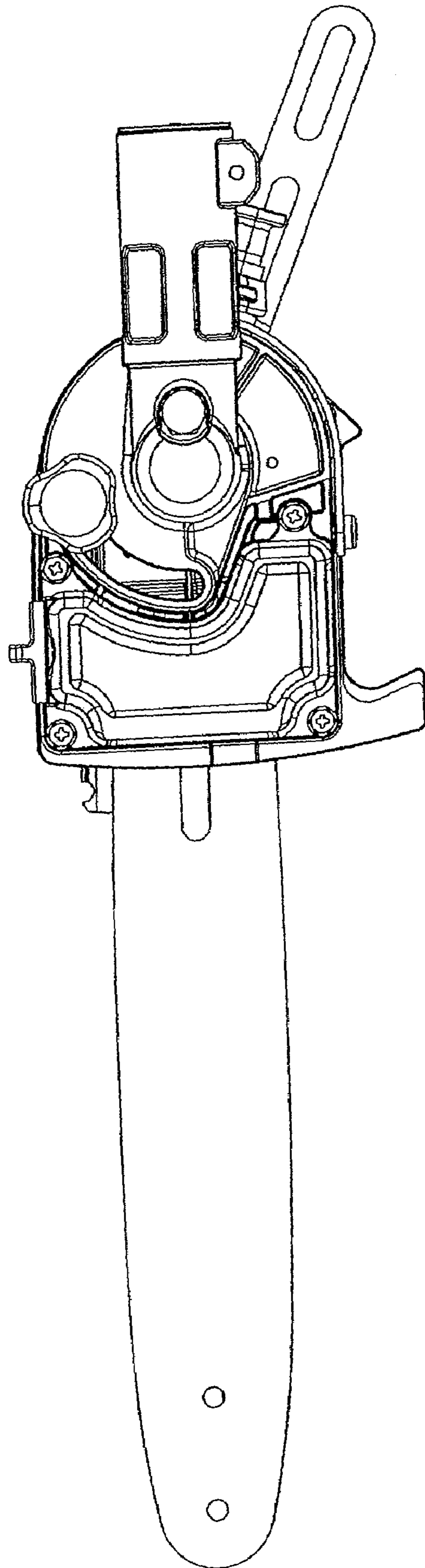


FIG. 3

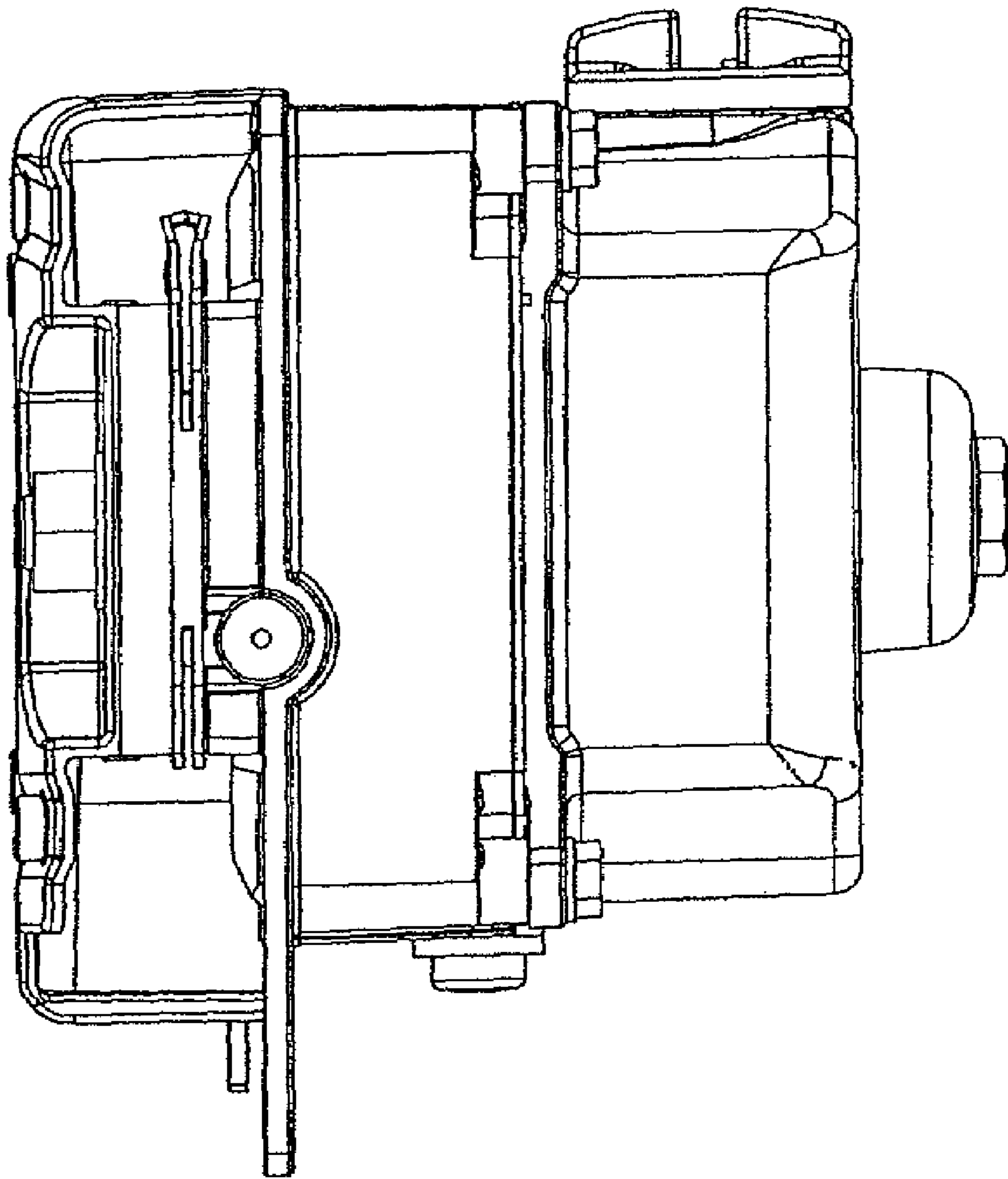


FIG. 4

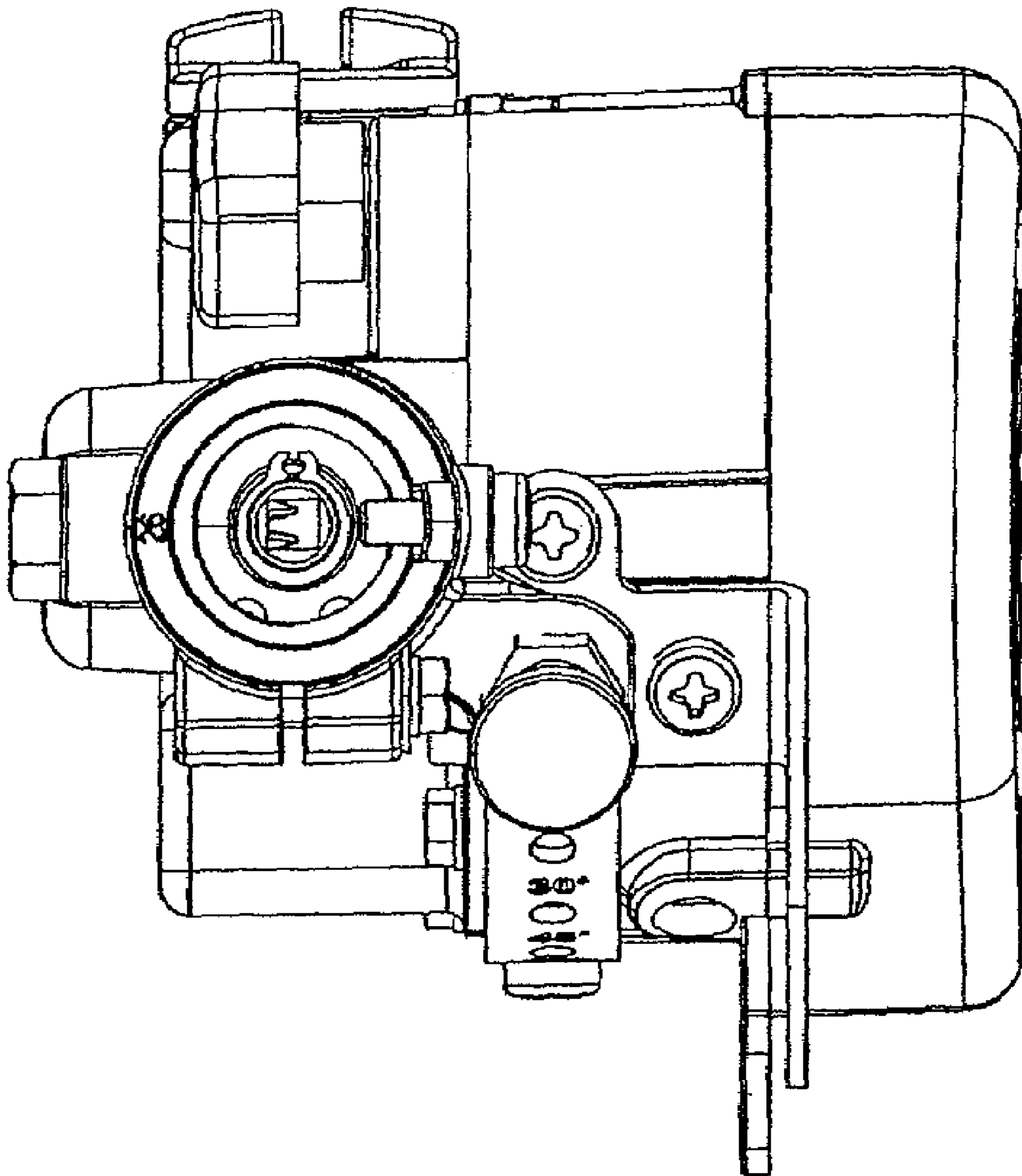


FIG. 5

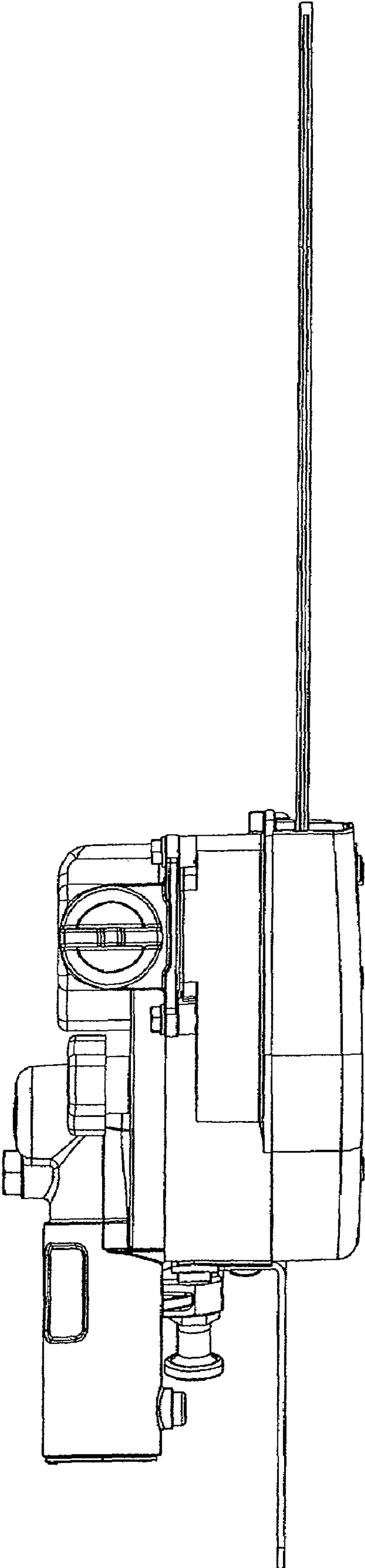


FIG. 6

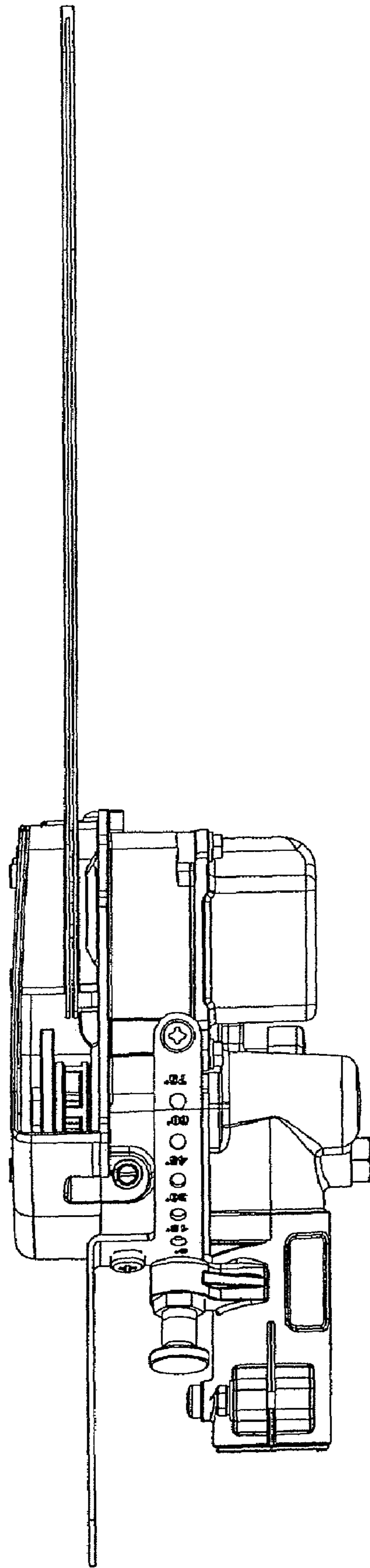


FIG. 7