

US00D591568S

(12) **United States Design Patent**
Grabowski

(10) **Patent No.:** **US D591,568 S**

(45) **Date of Patent:** **** May 5, 2009**

(54) **CUTTING THE ROUND FRUITS AND VEGGIE BOARD**

(76) **Inventor:** **Debora Jean Grabowski**, 128 S. Zinnia Way, Lakewood, CO (US) 80228

(**) **Term:** **14 Years**

(21) **Appl. No.:** **29/301,091**

(22) **Filed:** **Feb. 11, 2008**

(51) **LOC (9) Cl.** **07-04**

(52) **U.S. Cl.** **D7/698**

(58) **Field of Classification Search** D6/632;
D7/388, 409, 505, 553.1, 553.4, 553.5, 586,
D7/624.1, 637-638, 673, 696, 698-699, 701;
99/446, 449; 119/61.54; 241/273.2; 269/13-16,
269/54.5, 289 R, 291-292, 297-298, 302.1;
294/172

See application file for complete search history.

(56) **References Cited**

U.S. PATENT DOCUMENTS

- 1,704,690 A * 3/1929 Bircher 269/289 R
- D264,168 S * 5/1982 Teuber et al. D7/701
- D299,995 S * 2/1989 Rainville et al. D7/673
- 4,989,846 A * 2/1991 Quinn 269/54.5
- D339,722 S * 9/1993 Ancona et al. D7/698

- D352,205 S * 11/1994 Swetharanyam D7/553.4
- D364,072 S * 11/1995 Keable D7/553.5
- D366,817 S * 2/1996 Sampson D7/553.1
- D491,762 S * 6/2004 Hiramatsu D6/632
- 7,040,252 B2 * 5/2006 Wetterer et al. 119/61.54
- D522,817 S * 6/2006 Gunderson D7/698
- D558,541 S * 1/2008 Shmoon D7/698

* cited by examiner

Primary Examiner—Caron Veynar

Assistant Examiner—Ricky Pham

(57) **CLAIM**

The ornamental design for a cutting the round fruits and veggie board, as shown and described.

DESCRIPTION

FIG. 1 is a top plan view of a cutting the round fruits and veggie board showing my new design;

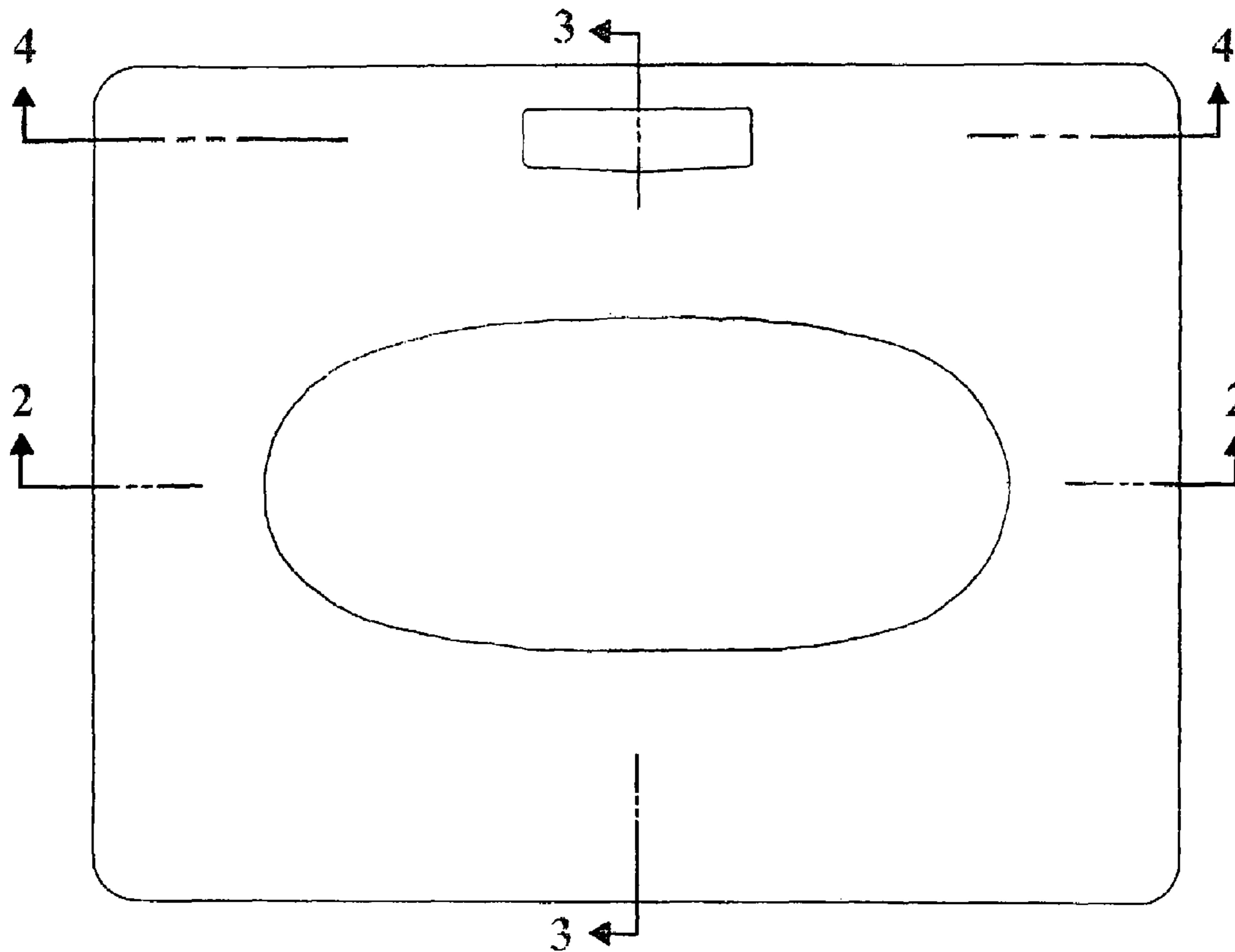
FIG. 2 is a cross-sectional view taken through line 2—2 of FIG. 1;

FIG. 3 is a cross-sectional view taken through line 3—3 of FIG. 1; and

FIG. 4 is a cross-sectional view taken through line 4—4 of FIG. 1; and,

FIG. 5 is a perspective view thereof.

1 Claim, 3 Drawing Sheets



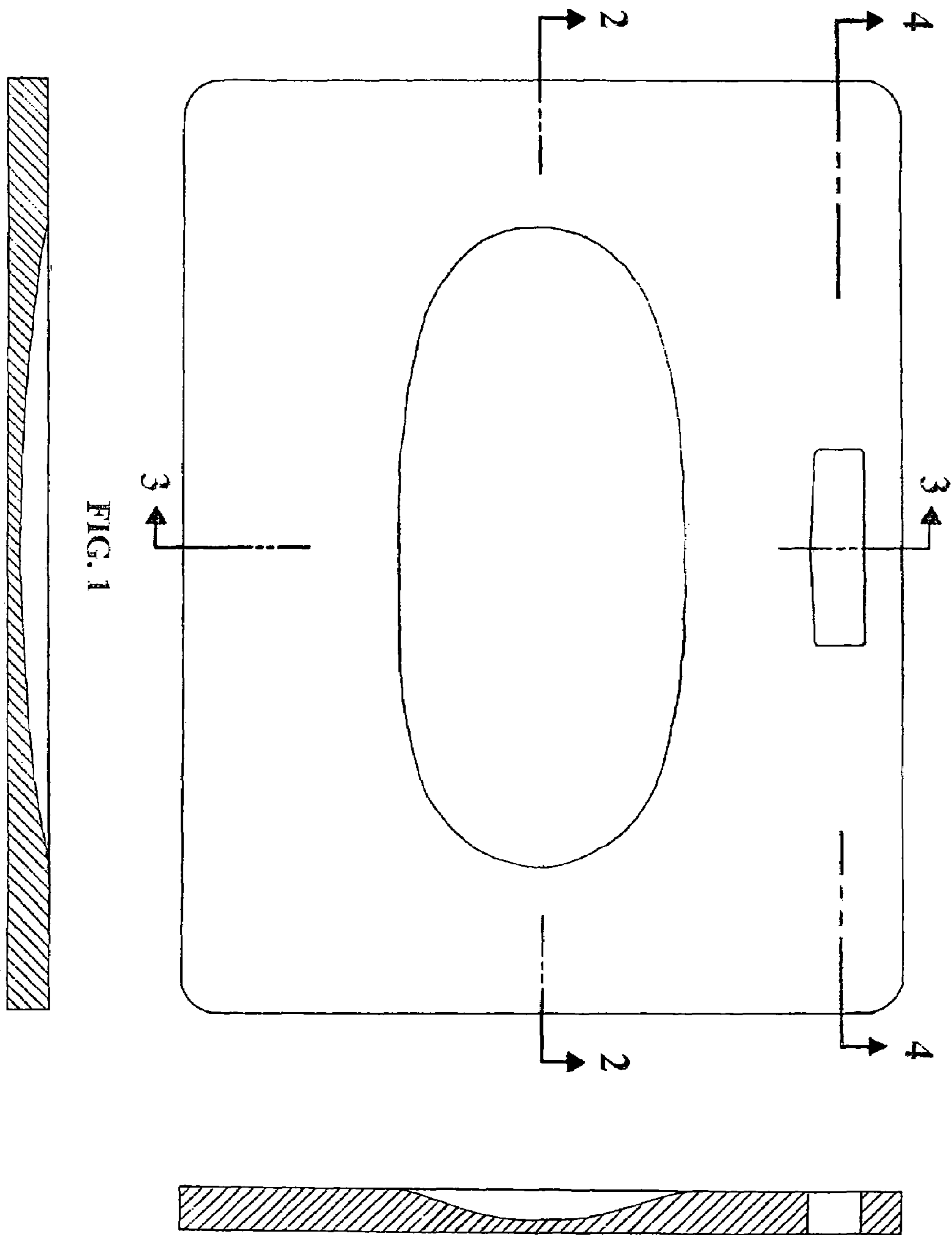


FIG. 2

FIG. 1

FIG. 3



FIG. 4

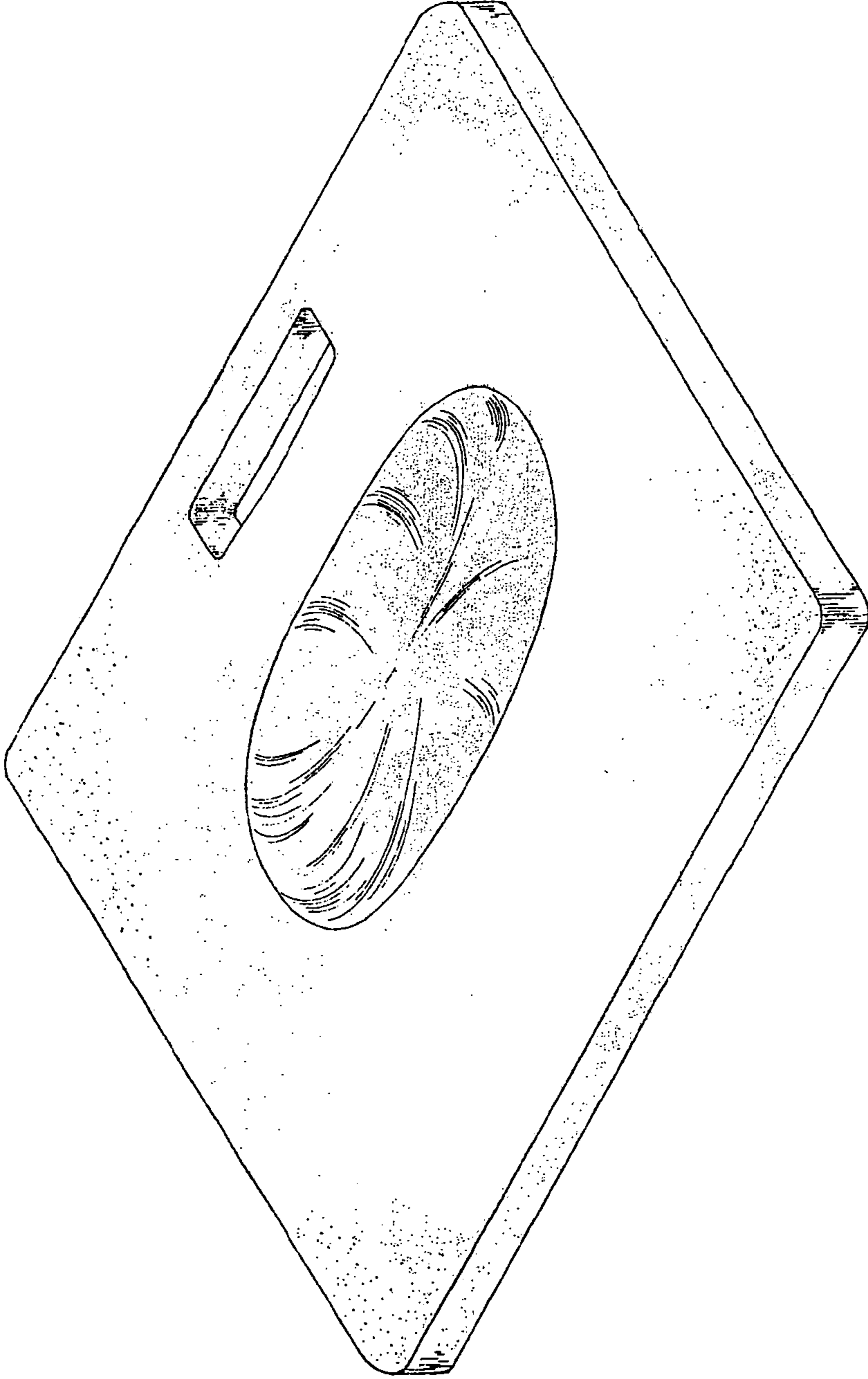


FIG. 5