



US00D591564S

(12) **United States Design Patent**
Ruan

(10) **Patent No.:** **US D591,564 S**

(45) **Date of Patent:** **** May 5, 2009**

(54) **CUTLERY SUPPORT**

(74) *Attorney, Agent, or Firm*—Hovey Williams LLP

(76) **Inventor:** **Ying Gang Ruan**, 12014 W. 130th St.,
Overland Park, KS (US) 66213

(57) **CLAIM**

The ornamental design for a cutlery support, as shown and described.

(**) **Term:** **14 Years**

(21) **Appl. No.:** **29/302,866**

(22) **Filed:** **Jan. 25, 2008**

(51) **LOC (9) Cl.** **07-99**

(52) **U.S. Cl.** **D7/637**

(58) **Field of Classification Search** D7/637,
D7/638; 211/70.6, 70.7, 41.1, 41.2, 41.3,
211/41.7; 248/37.3, 37.6, 176.1; D32/55,
D32/58

See application file for complete search history.

(56) **References Cited**

U.S. PATENT DOCUMENTS

D321,771 S *	11/1991	Cavicchia	D32/55
D383,273 S *	9/1997	Hampshire	D32/55
D554,318 S *	10/2007	Yang et al.	D32/55
D555,311 S *	11/2007	Yang et al.	D32/55
D559,491 S *	1/2008	Yang et al.	D32/55

* cited by examiner

Primary Examiner—Ian Simmons

Assistant Examiner—Dana L Sipos

DESCRIPTION

FIG. 1 is a top front left perspective view of my ornamental design for a cutlery support, with the portions shown in broken lines being for environmental purposes only and forming no part of the claimed invention;

FIG. 2 is a top right rear perspective view thereof, with the portions shown in broken lines being for environmental purposes only and forming no part of the claimed invention;

FIG. 3 is a bottom front left perspective view thereof, with the portions shown in broken lines being for environmental purposes only and forming no part of the claimed invention;

FIG. 4 is a top plan view thereof;

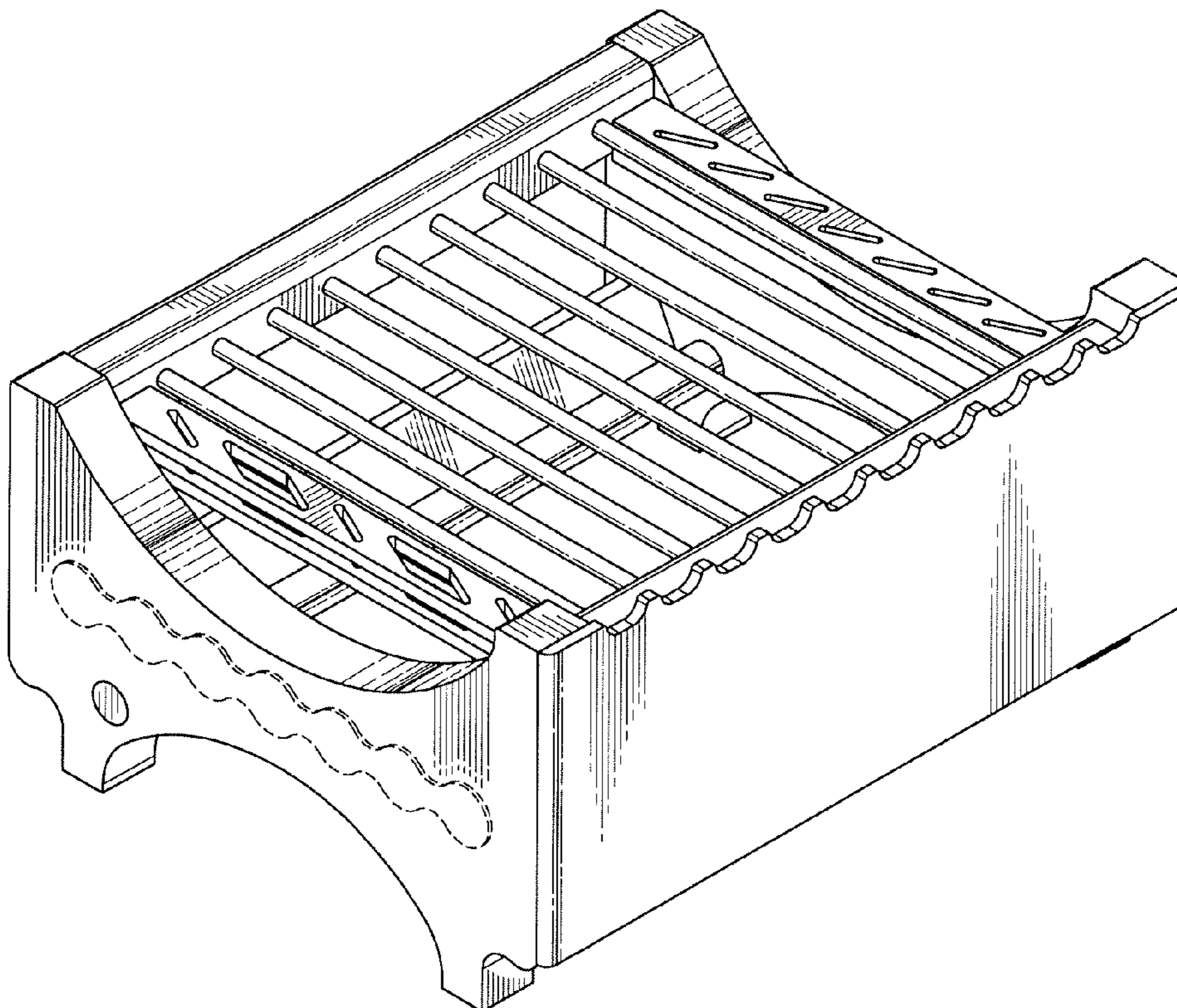
FIG. 5 is a front elevational view thereof;

FIG. 6 is a left side elevational view thereof, with the portions shown in broken lines being for environmental purposes only and forming no part of the claimed invention, the right side being a mirror image thereof;

FIG. 7 is a rear elevational view thereof; and,

FIG. 8 is a bottom view thereof.

1 Claim, 4 Drawing Sheets



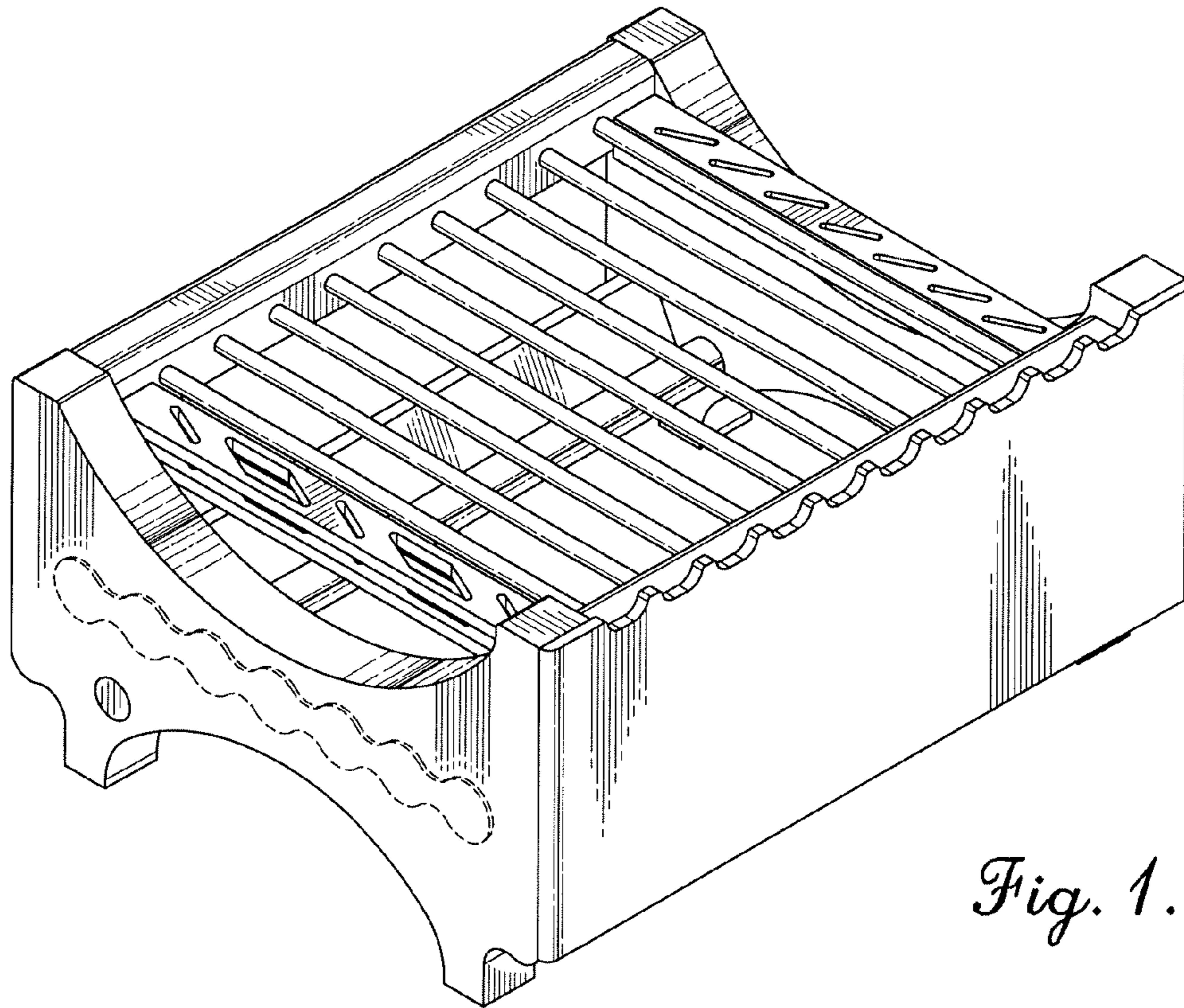


Fig. 1.

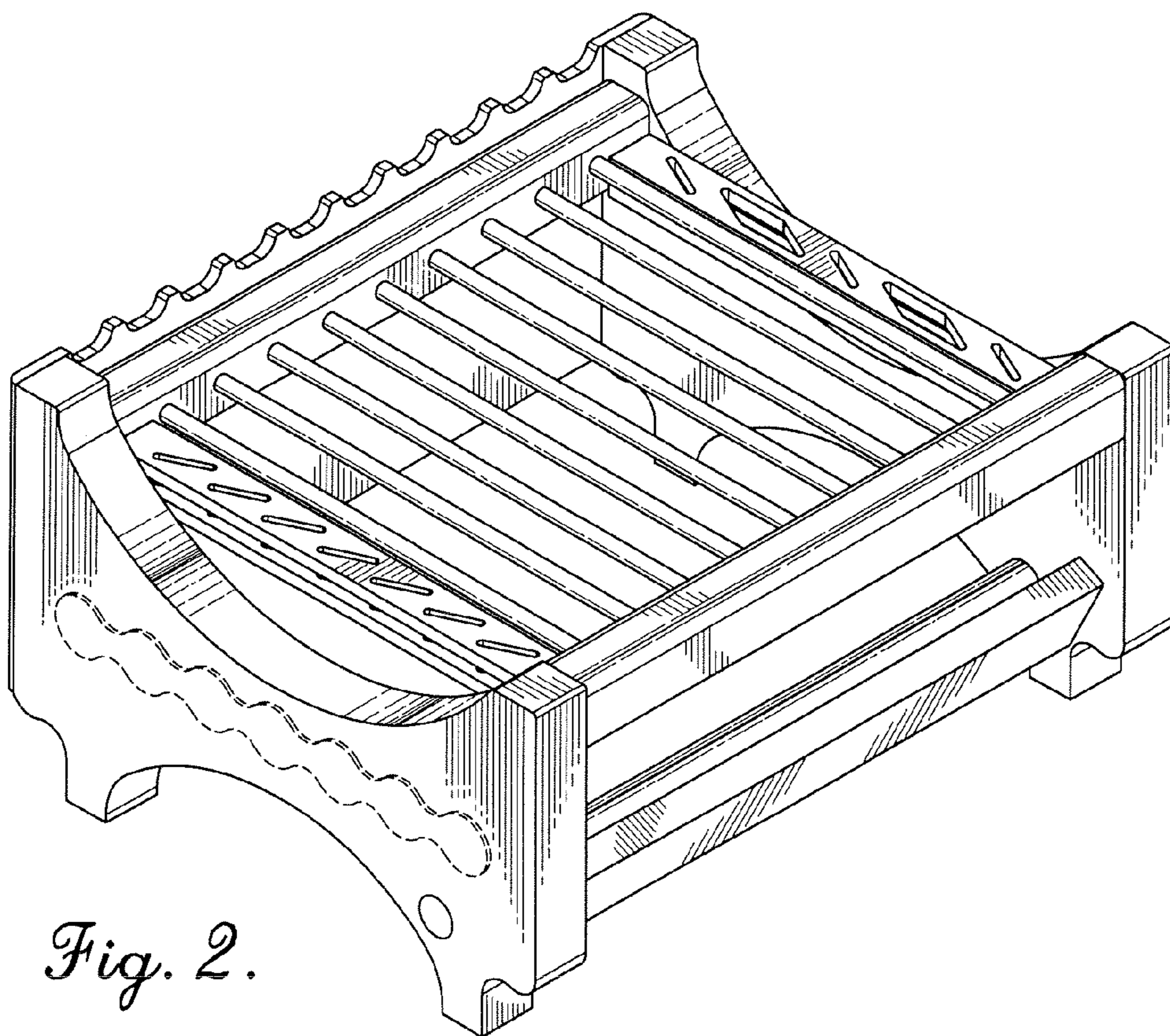


Fig. 2.

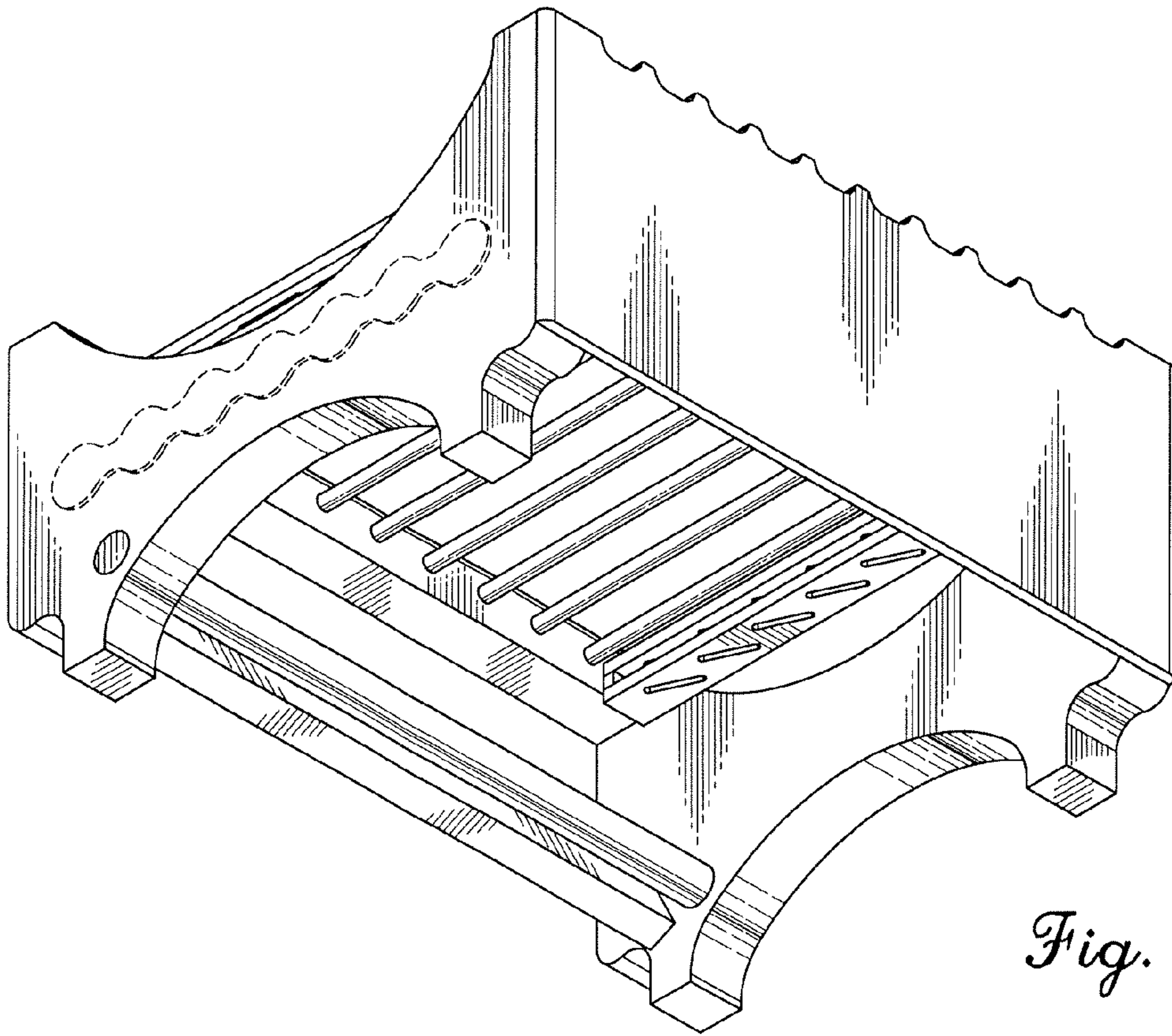


Fig. 3.

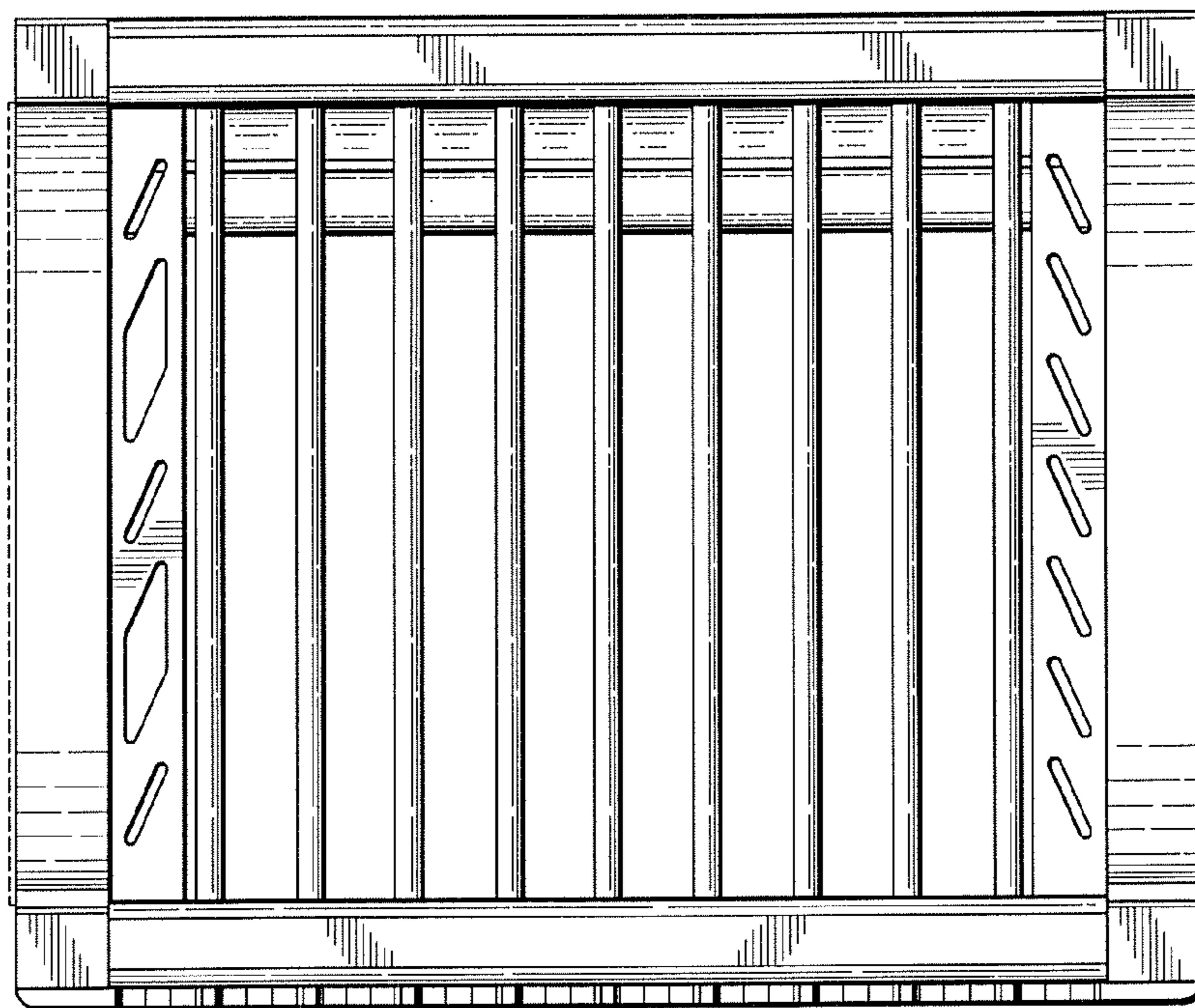


Fig. 4.

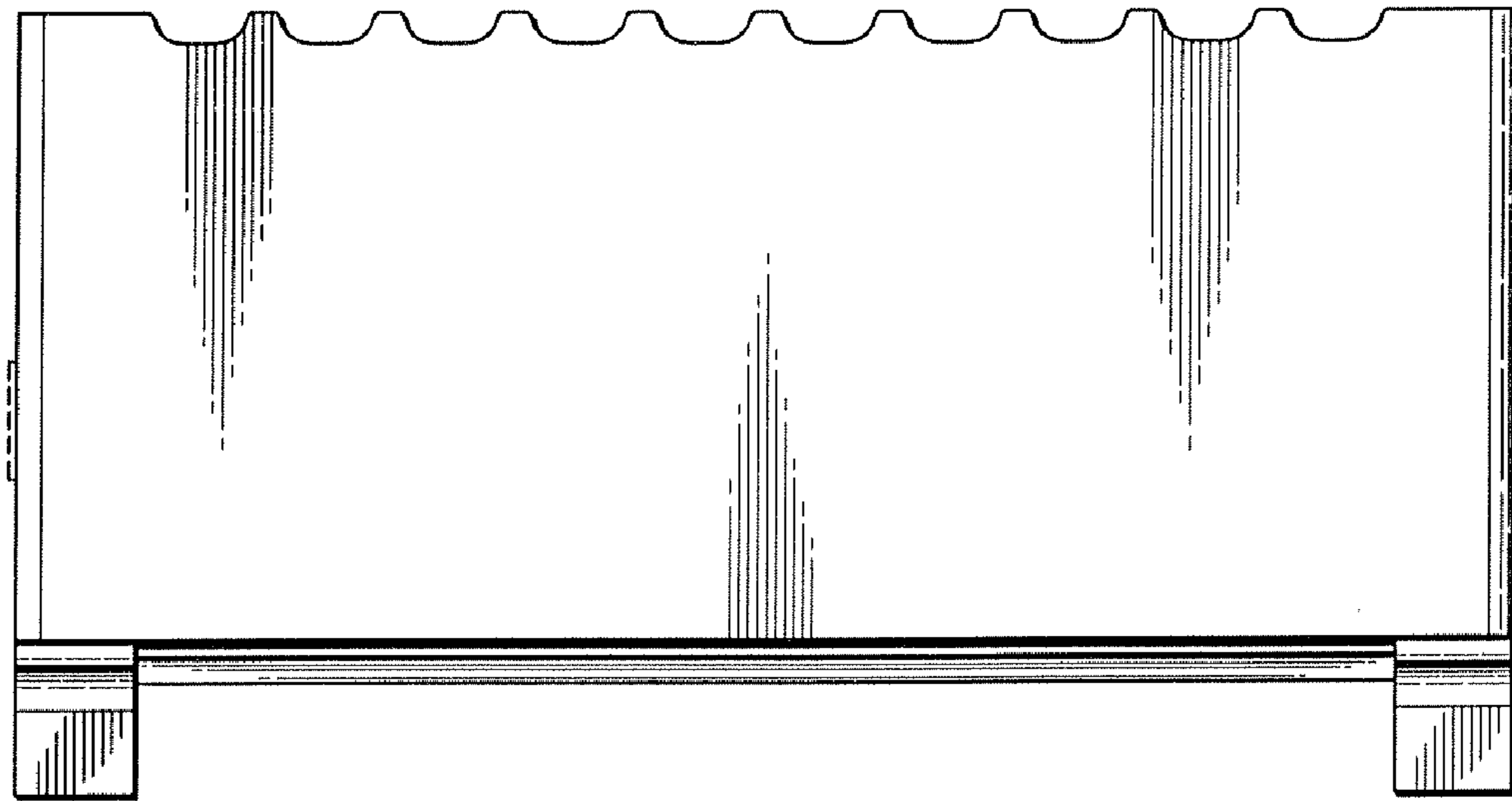


Fig. 5.

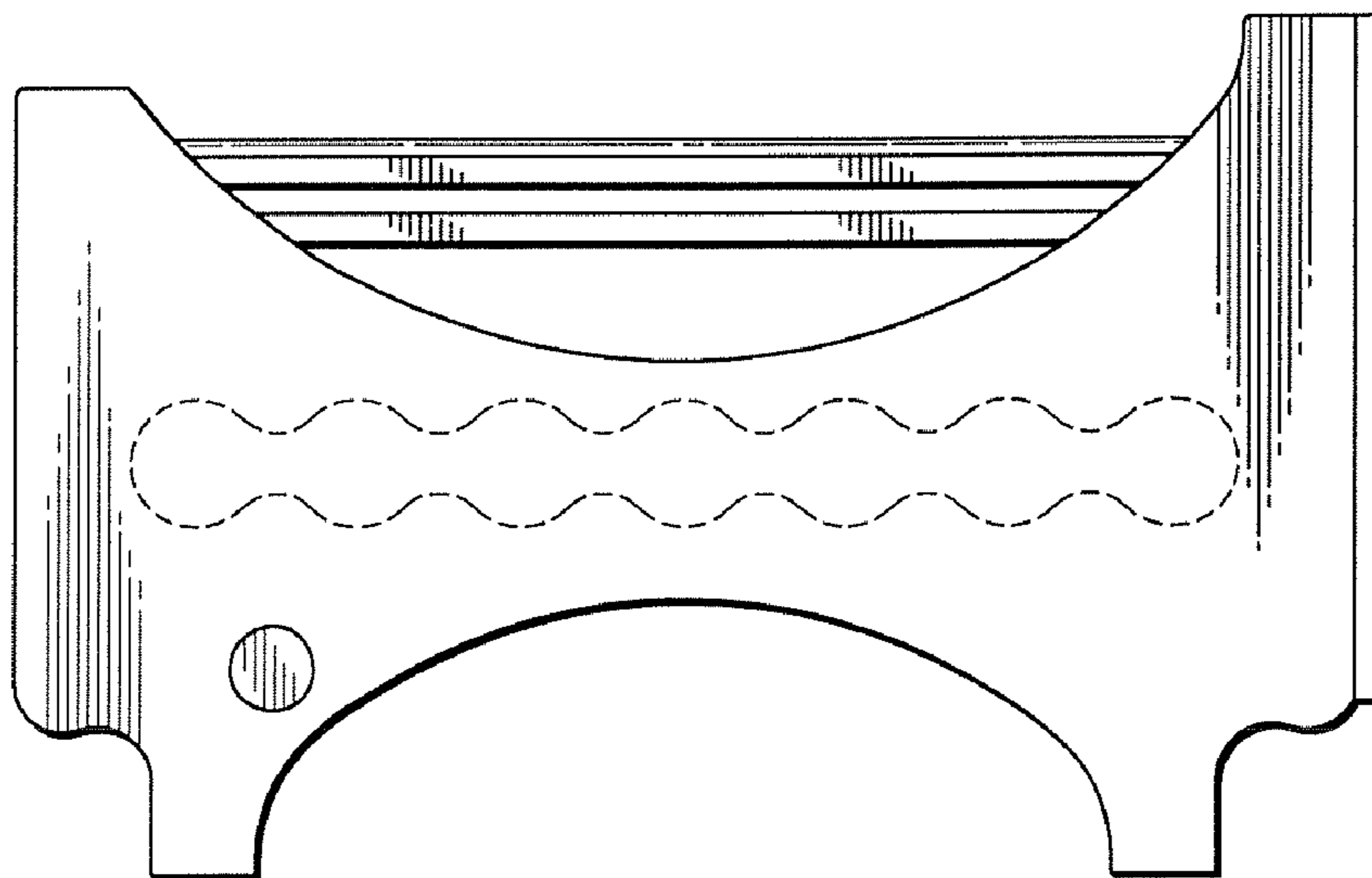


Fig. 6.

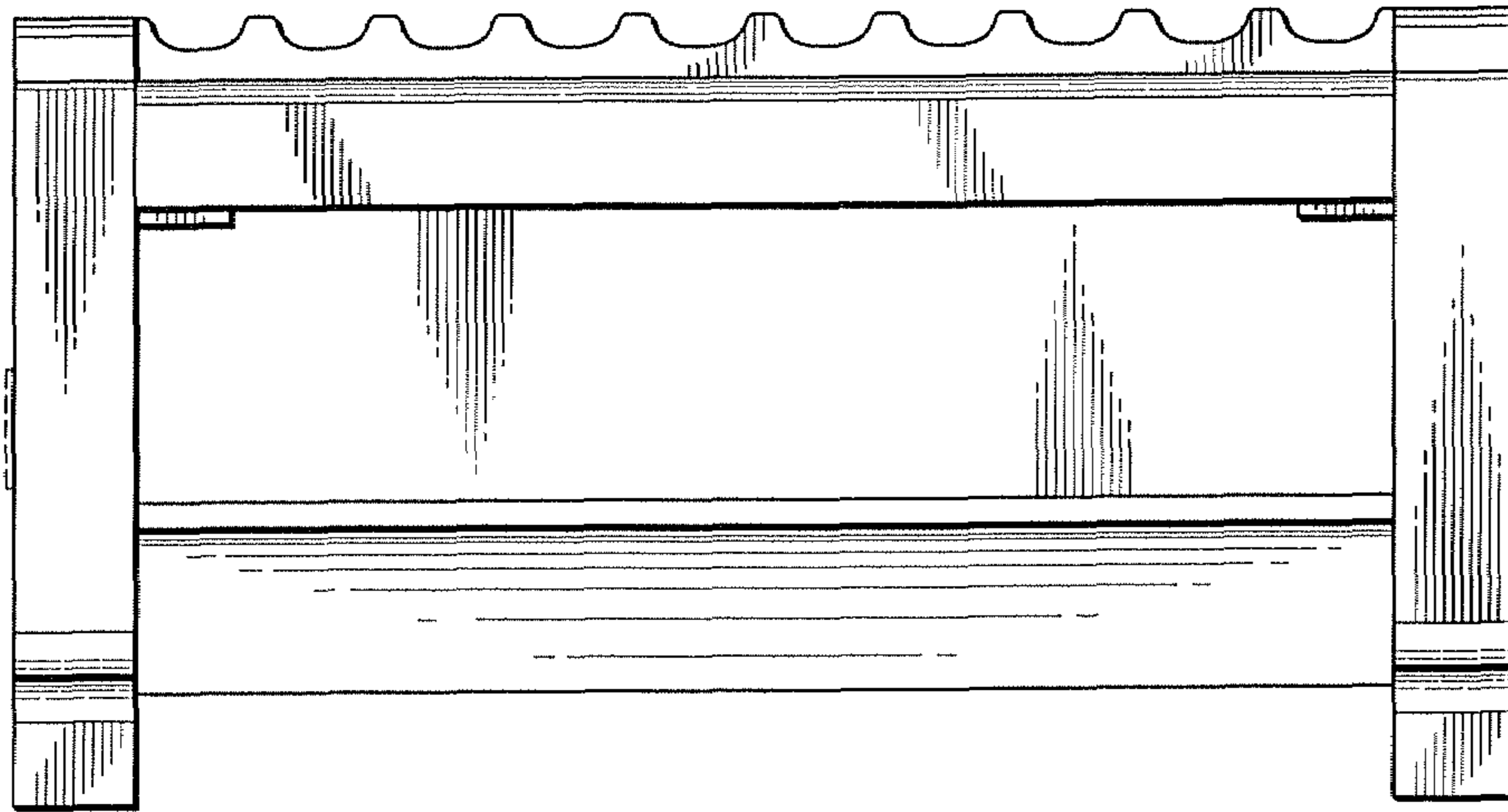


Fig. 7.

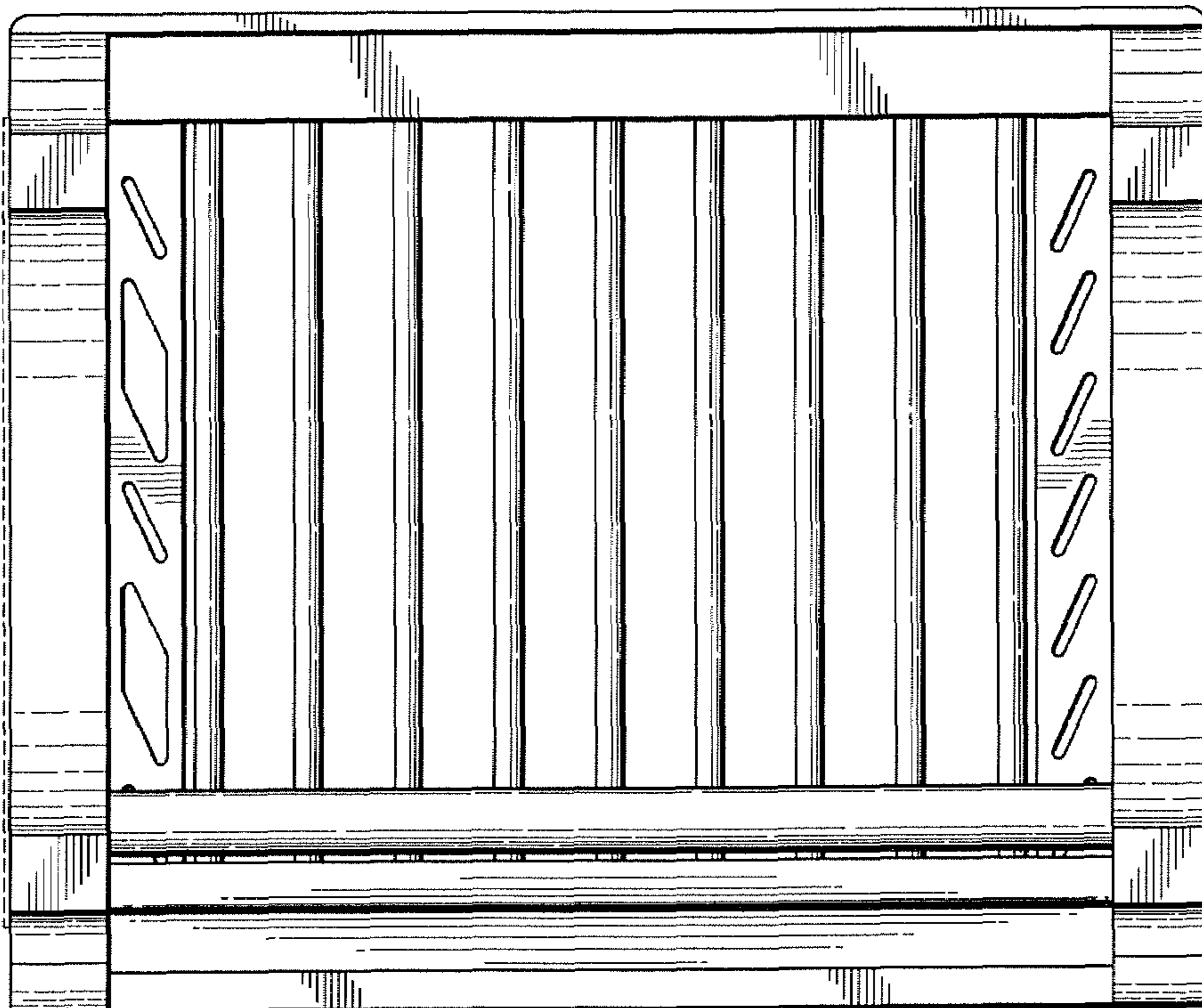


Fig. 8.