

US00D591563S

(12) **United States Design Patent**
Johnson

(10) **Patent No.:** **US D591,563 S**

(45) **Date of Patent:** **** May 5, 2009**

(54) **BEVERAGE CAN INSULATED COVER WITH LOWER AND UPPER COVER PORTIONS**

(76) **Inventor:** **Richard Johnson**, 10786 Pagles Rd., Birch Run, MI (US) 48415

(**) **Term:** **14 Years**

(21) **Appl. No.:** **29/297,094**

(22) **Filed:** **Nov. 2, 2007**

(51) **LOC (9) Cl.** **07-01**

(52) **U.S. Cl.** **D7/624.2**

(58) **Field of Classification Search** D7/601-602, D7/607, 619.1, 624.1, 624.2, 624.3, 388; D9/501, 517, 444, 504, 445; D24/199; 62/530; 215/11.6, 12.1, 12.2, 13.1, 393-395; 220/737, 220/739, 592.16, 592.17, 902-903, 915.1, 220/915.2, 751, 754, 740

See application file for complete search history.

(56) **References Cited**

U.S. PATENT DOCUMENTS

2,203,911	A *	6/1940	Krafty	30/411
3,848,766	A *	11/1974	Gantt et al.	206/139
4,768,354	A *	9/1988	Barnwell	62/457.4
4,872,577	A *	10/1989	Smith	220/739
D306,545	S *	3/1990	Rosdick	D7/608
5,186,350	A *	2/1993	McBride	220/739
5,740,951	A *	4/1998	Jack	224/148.3

6,039,207	A	3/2000	Adamek	
6,206,223	B1 *	3/2001	Wicker	220/375
6,349,846	B1 *	2/2002	Meza	220/739
6,357,253	B1 *	3/2002	Condy	62/457.8
D474,650	S *	5/2003	Reeves	D7/608
6,604,649	B1 *	8/2003	Campi	220/739
6,860,399	B2 *	3/2005	Reeves	220/739
D530,984	S	10/2006	Bolden	

* cited by examiner

Primary Examiner—Ian Simmons

Assistant Examiner—Dana L Sipos

(74) *Attorney, Agent, or Firm*—Robert L. Farris; Farris Law, P.C.

(57) **CLAIM**

The ornamental design for a beverage can insulated cover with lower and upper portions, shown and described.

DESCRIPTION

FIG. 1 is an exploded top perspective view of a beverage can insulated cover with lower and upper portions showing my new design;

FIG. 2 is a top perspective view thereof, shown in the closed position; and,

FIG. 3 is a cross-section view taken along the line 3—3 in FIG. 2.

1 Claim, 2 Drawing Sheets

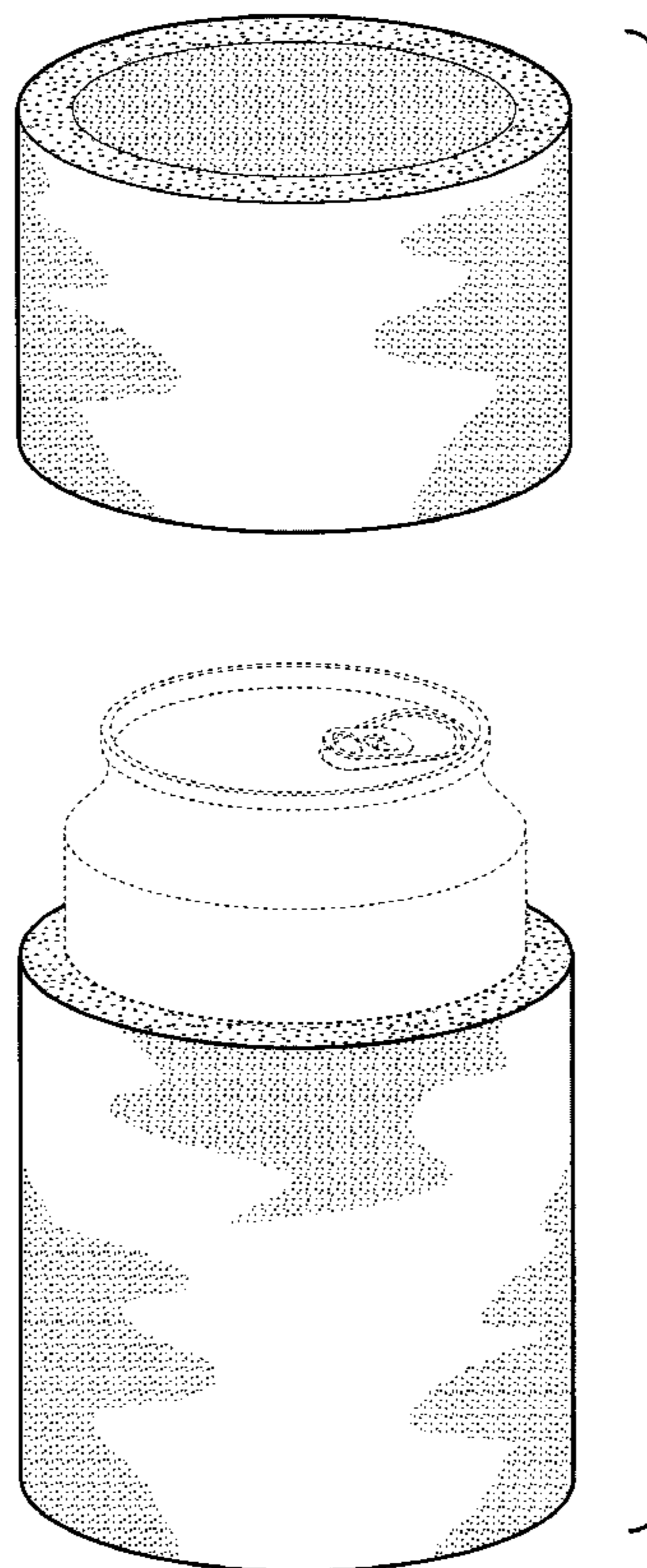


FIG - 1

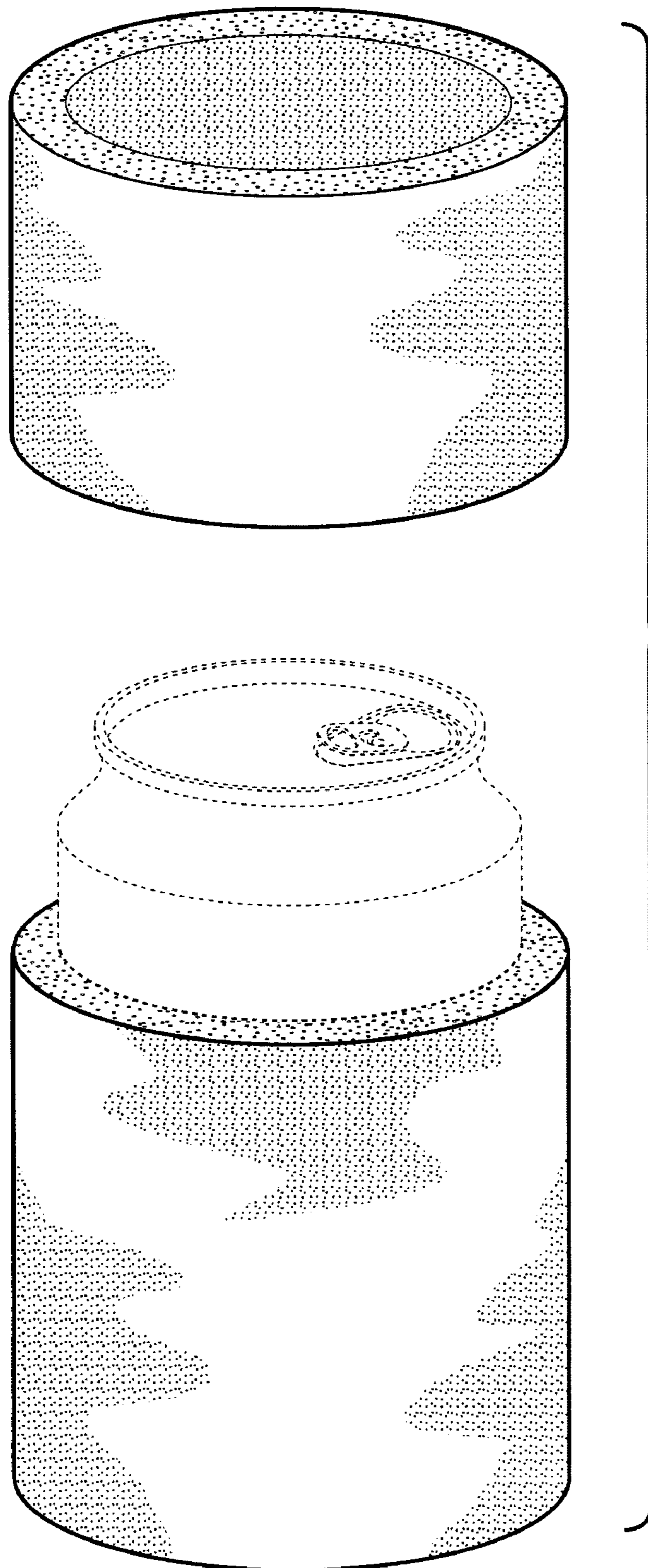


FIG - 3

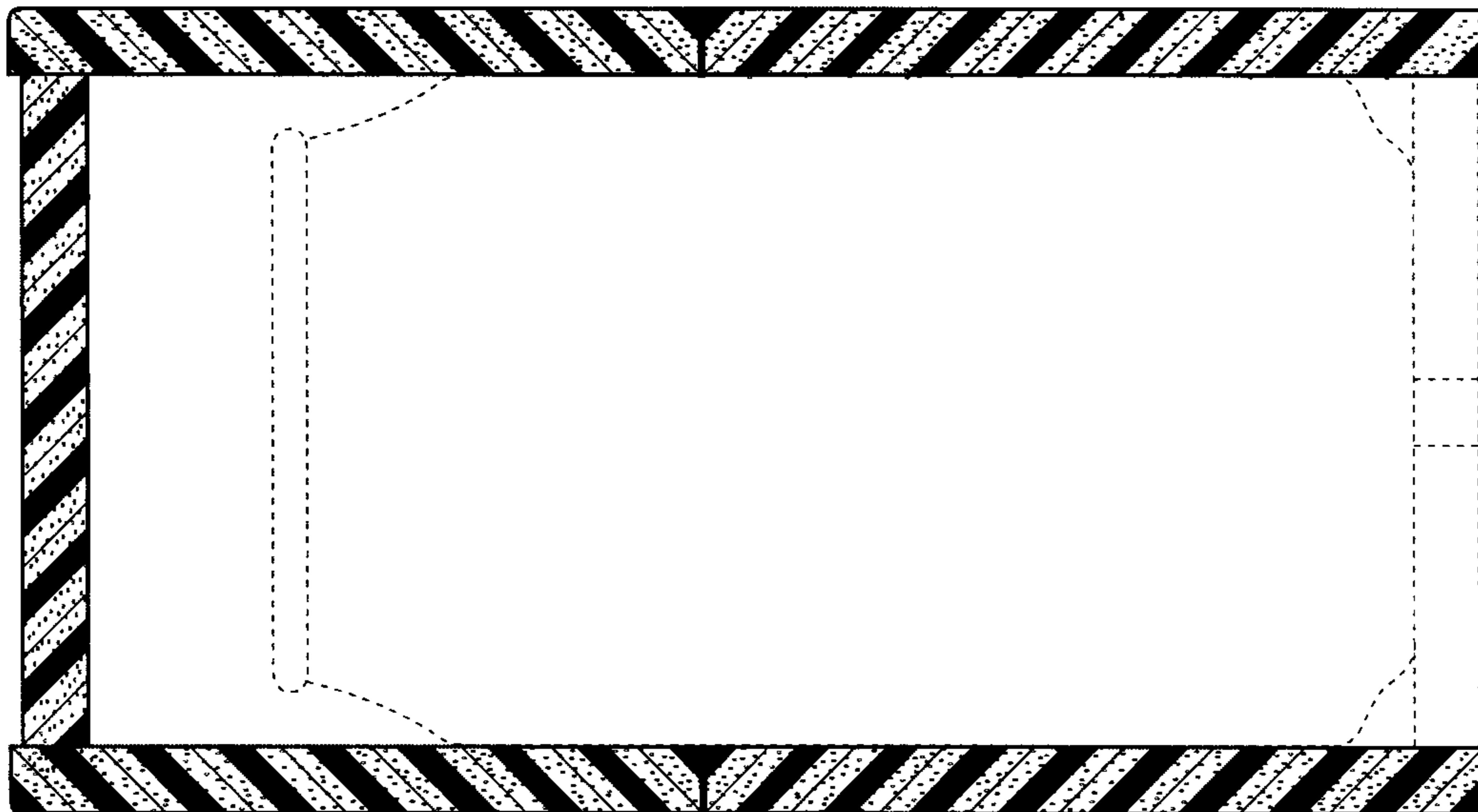


FIG - 2

