



US00D591562S

(12) **United States Design Patent**  
**Lee**

(10) **Patent No.:** **US D591,562 S**  
(45) **Date of Patent:** **\*\* May 5, 2009**

(54) **COOLER WITH PARTIALLY DETACHABLE LEGS**

D520,305 S \* 5/2006 Brodock et al. .... D7/605

\* cited by examiner

(76) Inventor: **Lawrence K. Lee**, 9320 Harwin Dr.,  
Houston, TX (US) 77036

*Primary Examiner*—Terry A Wallace  
(74) *Attorney, Agent, or Firm*—Egbert Law Offices PLLC

(\*\*) Term: **14 Years**

(57) **CLAIM**

(21) Appl. No.: **29/323,819**

The ornamental design for a cooler with partially detachable legs, as shown and described.

(22) Filed: **Sep. 1, 2008**

**Related U.S. Application Data**

**DESCRIPTION**

(63) Continuation-in-part of application No. 29/305,660,  
filed on Mar. 26, 2008, now Pat. No. Des. 580,232.

FIG. 1 is an upper perspective view of the cooler with partially detachable legs showing my design.

(51) **LOC (9) Cl.** ..... **07-01**

FIG. 2 is a front view thereof;

(52) **U.S. Cl.** ..... **D7/606**

FIG. 3 is a back view thereof;

(58) **Field of Classification Search** ..... D7/603–608,  
D7/629; D6/480, 484, 432, 440; 220/915.1,  
220/915.2, 592.01, 592.03, 592.09, 592.16,  
220/592.2; 62/457.1–457.9, 371, 372

FIG. 4 is a side view thereof;

FIG. 5 is an opposite side view thereof;

See application file for complete search history.

FIG. 6 is top view thereof;

FIG. 7 is a bottom view thereof;

(56) **References Cited**

FIG. 8 is another perspective view thereof, showing the lid in an open position; and,

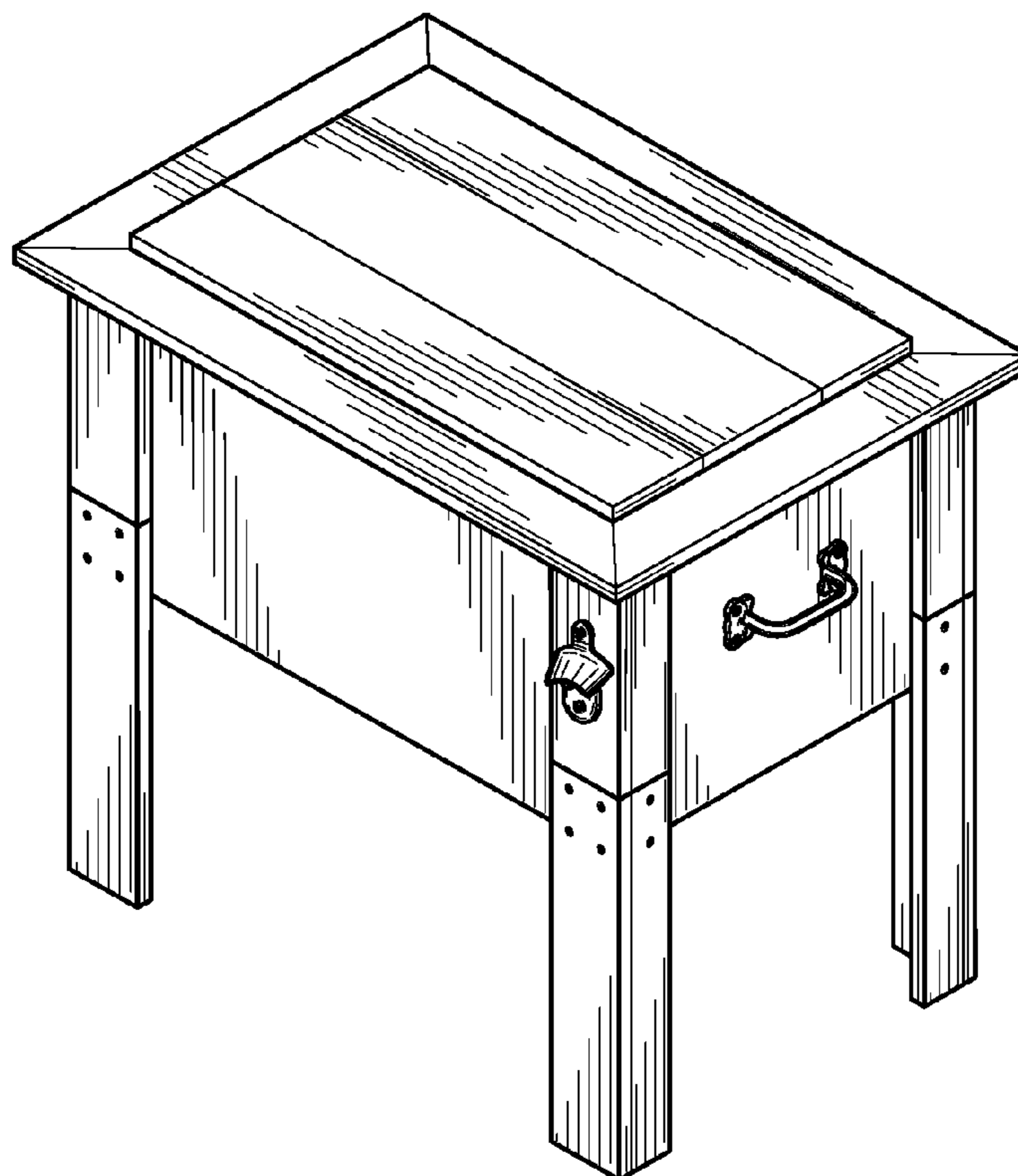
**U.S. PATENT DOCUMENTS**

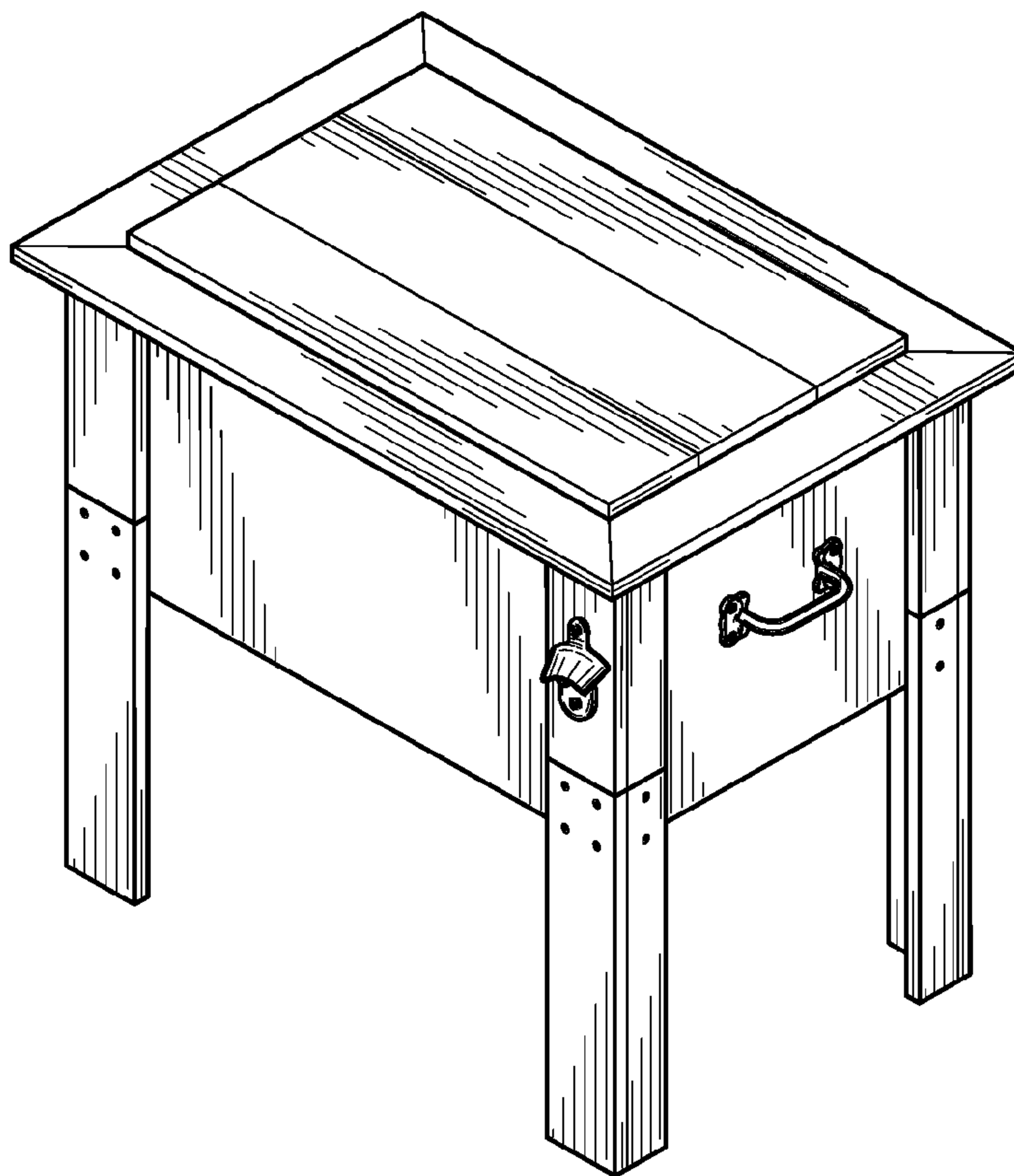
FIG. 9 is an exploded perspective view thereof, showing the legs in a detached position.

The broken lines in FIG. 9 are presented for illustrative purposes only and for no part of the claimed design.

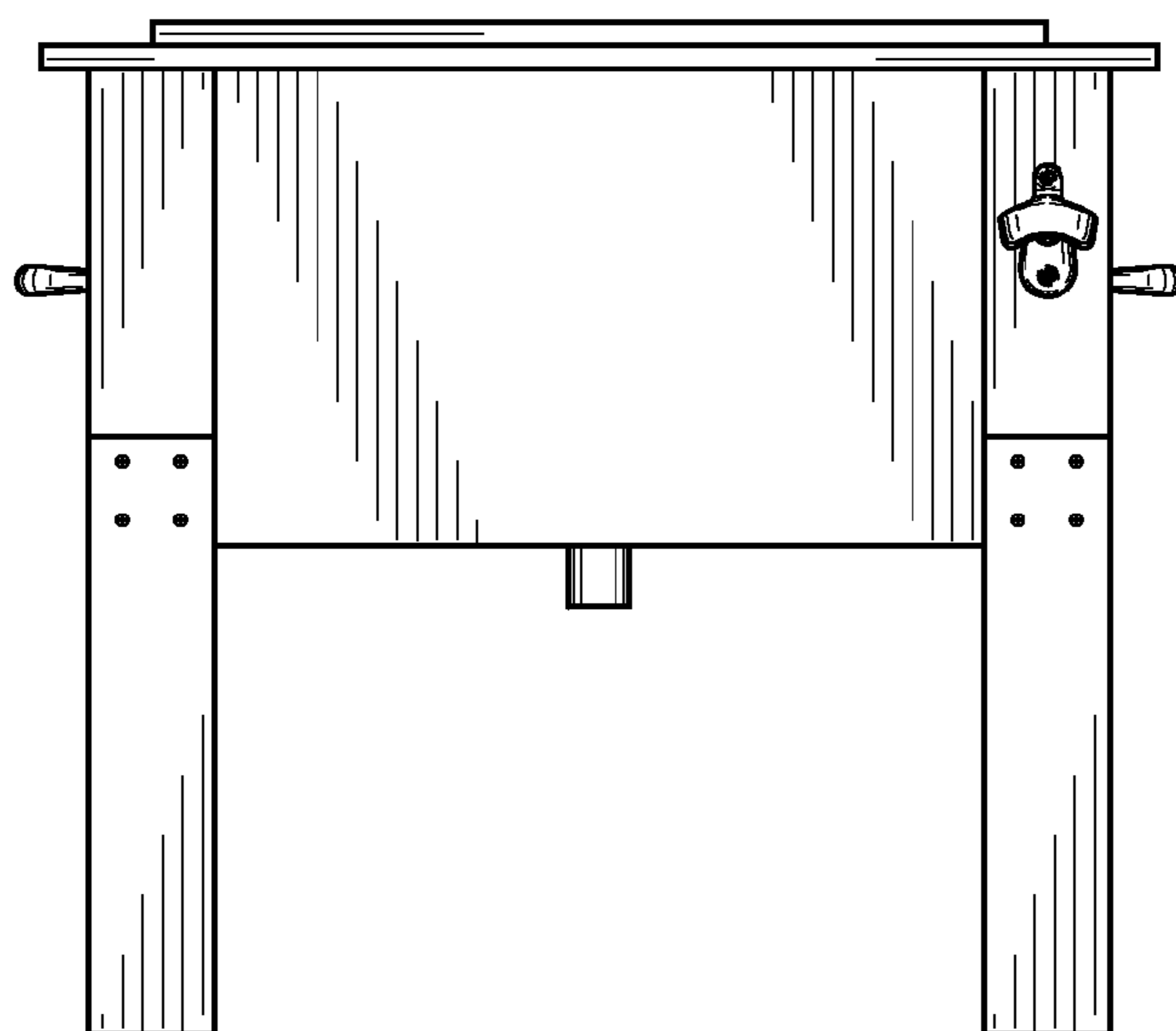
D414,354 S *	9/1999	Gower	.....	D6/484
D428,733 S *	8/2000	Hazen et al.	.....	D6/441
D437,736 S *	2/2001	Moffett et al.	.....	D7/605
D448,625 S *	10/2001	Moffett et al.	.....	D7/605
6,612,127 B2 *	9/2003	Simmons	.....	62/457.2

**1 Claim, 5 Drawing Sheets**

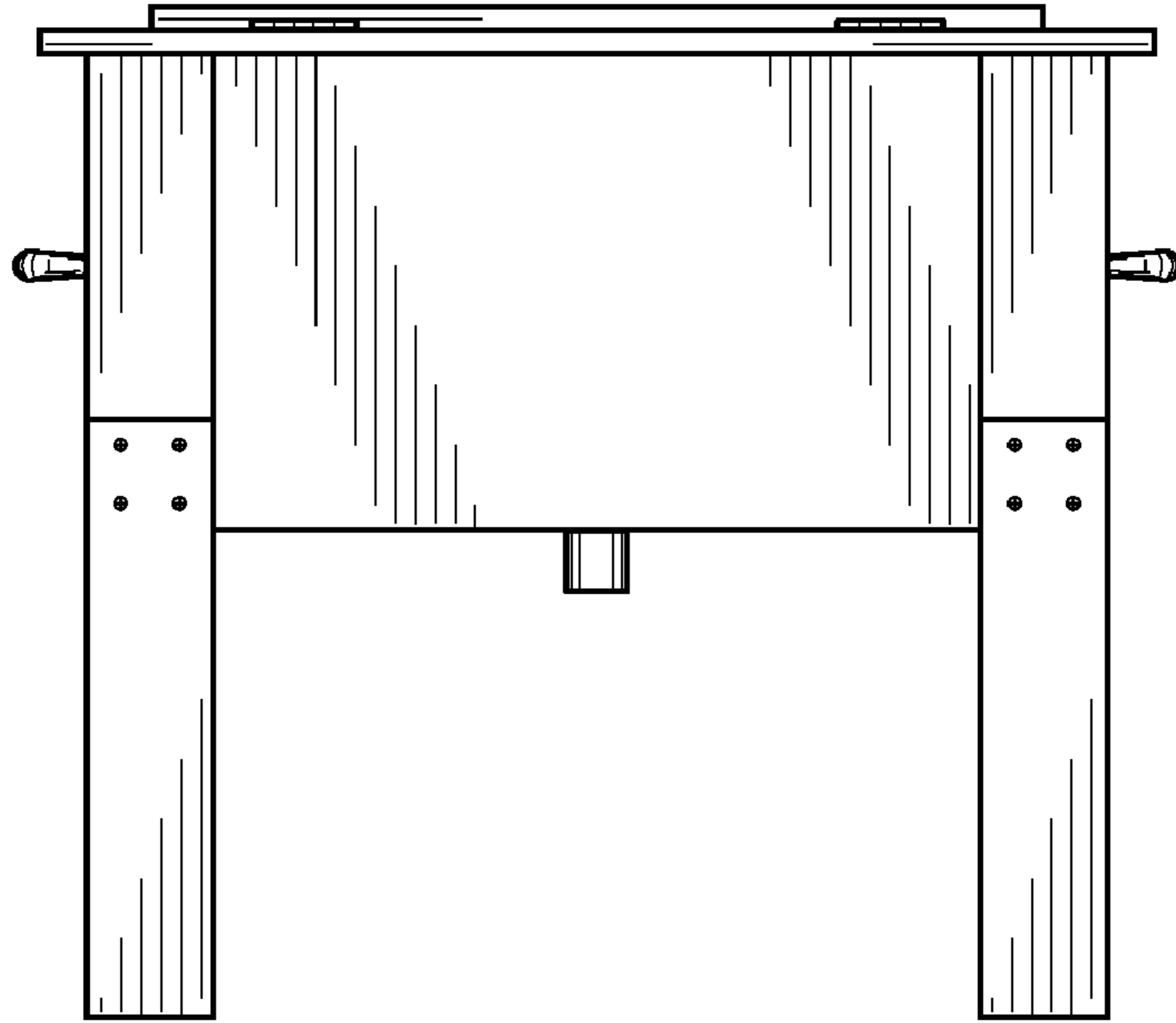




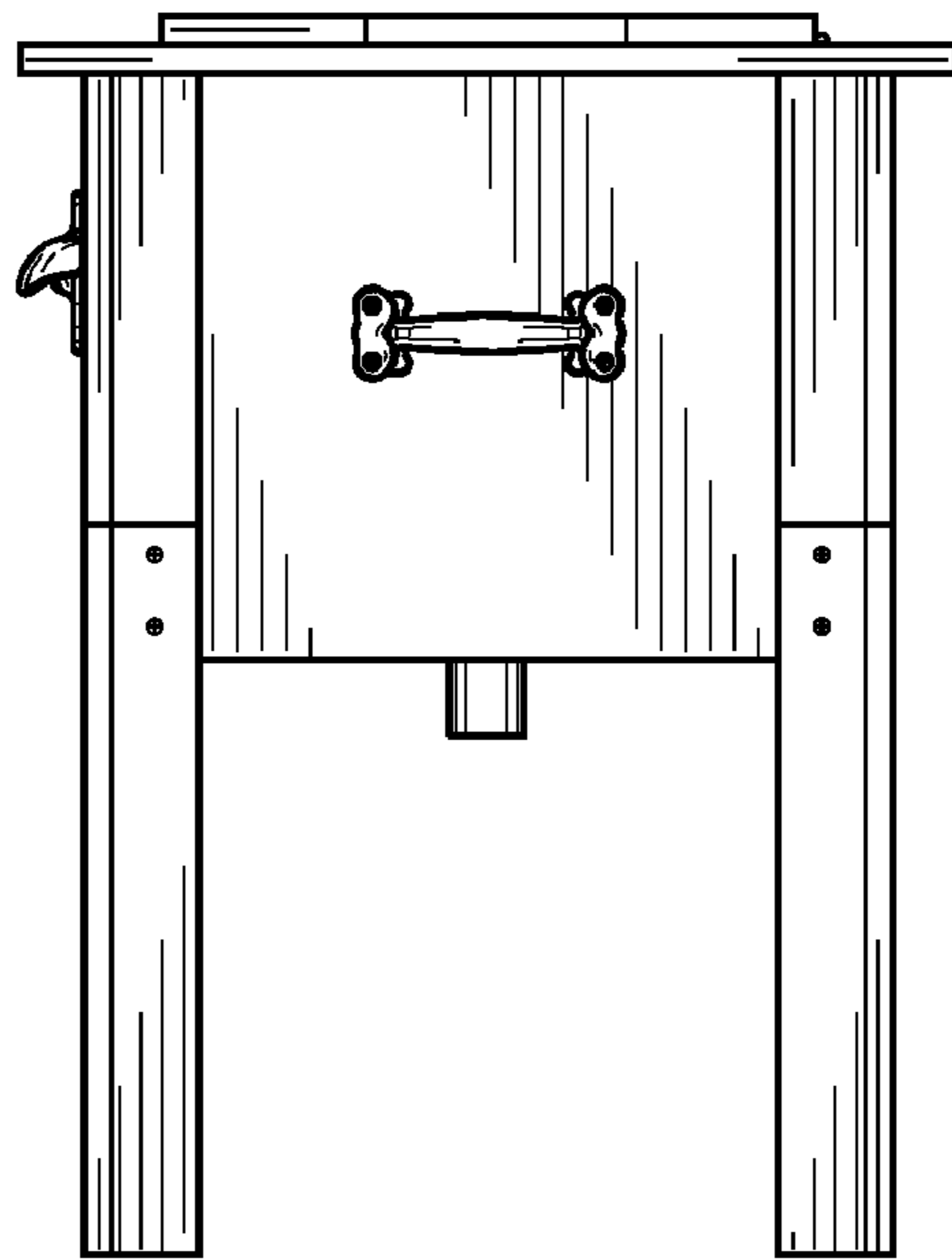
*FIG. 1*



*FIG. 2*



*FIG. 3*



*FIG. 4*

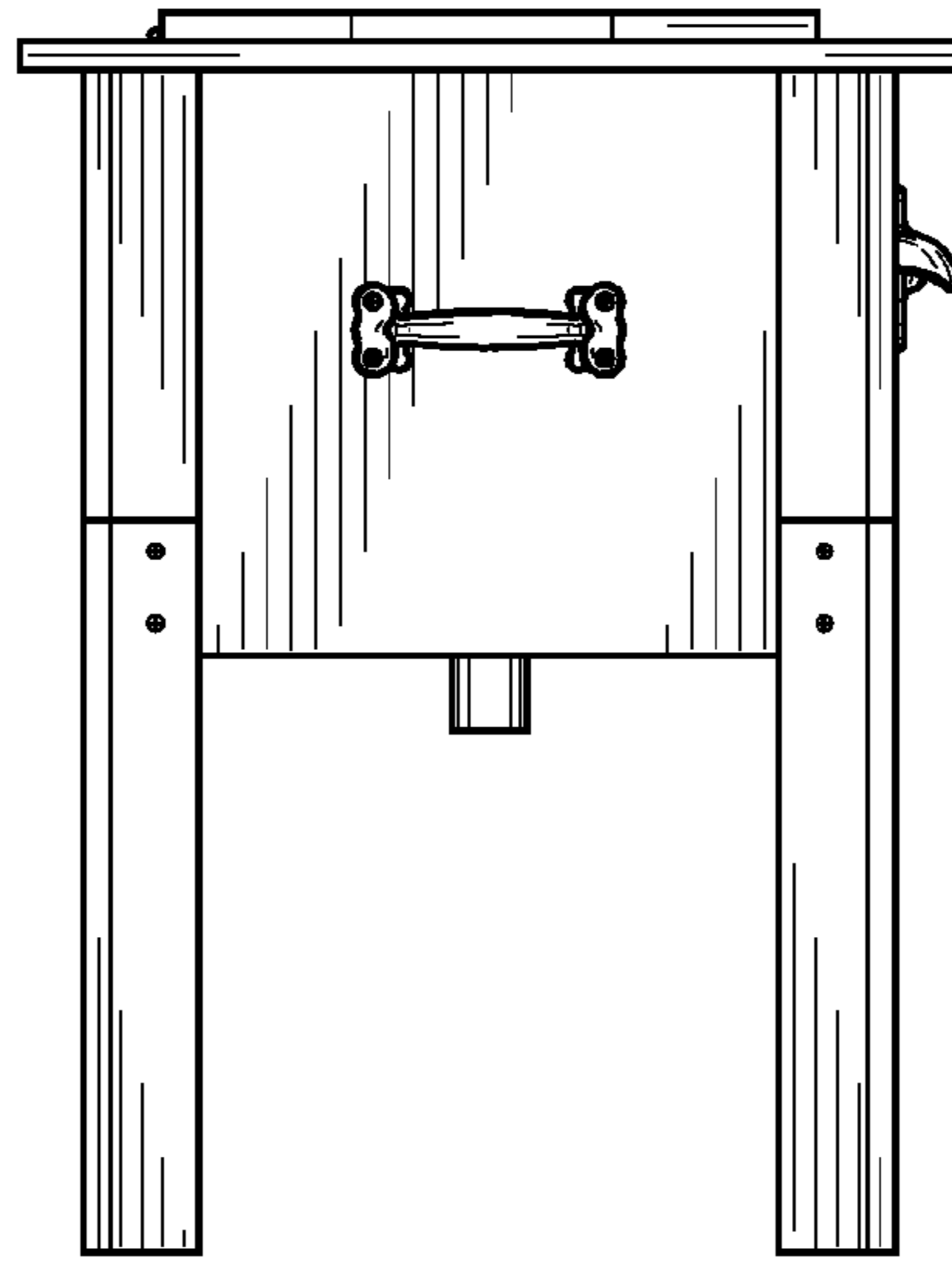


FIG. 5

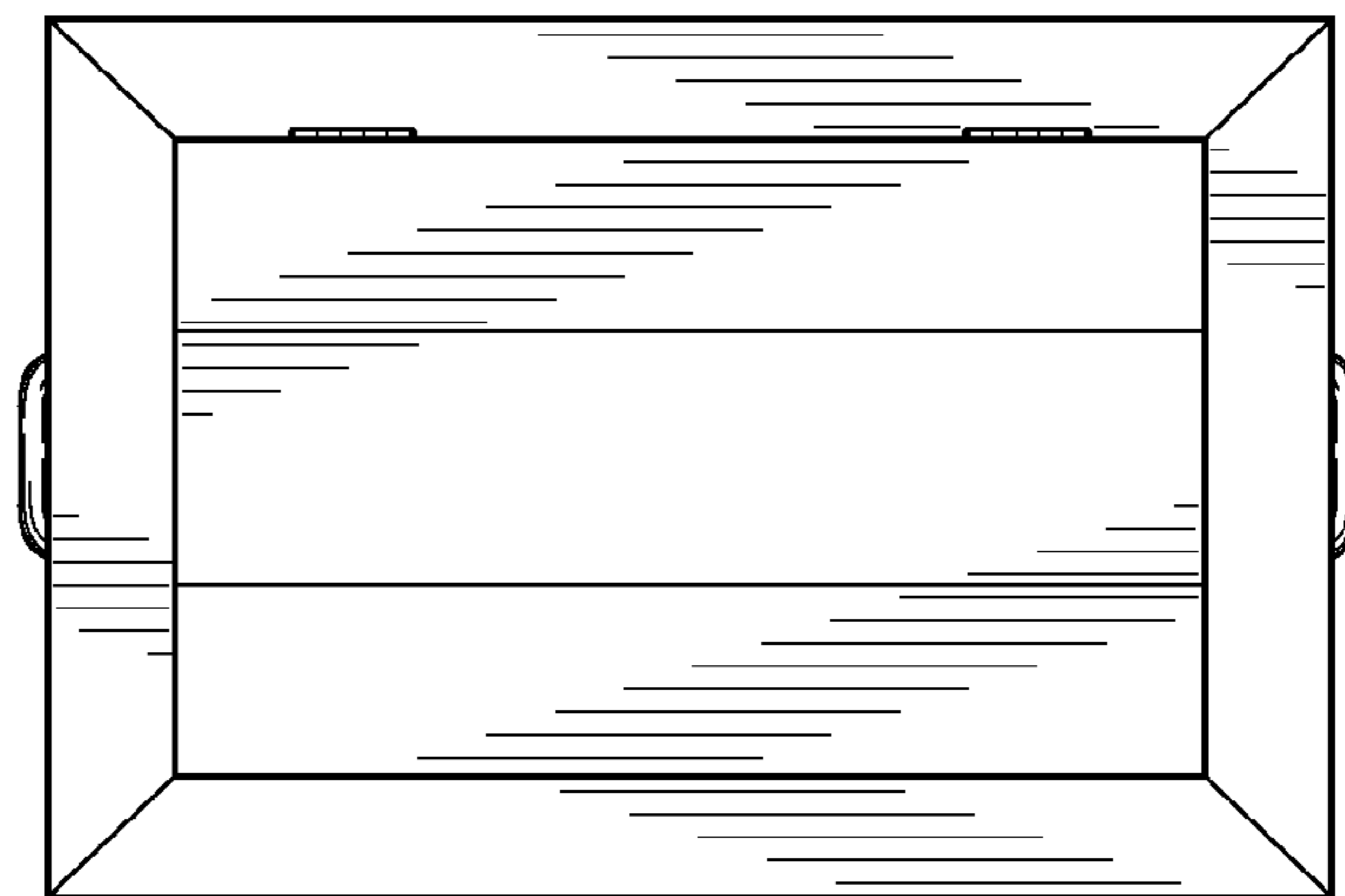


FIG. 6

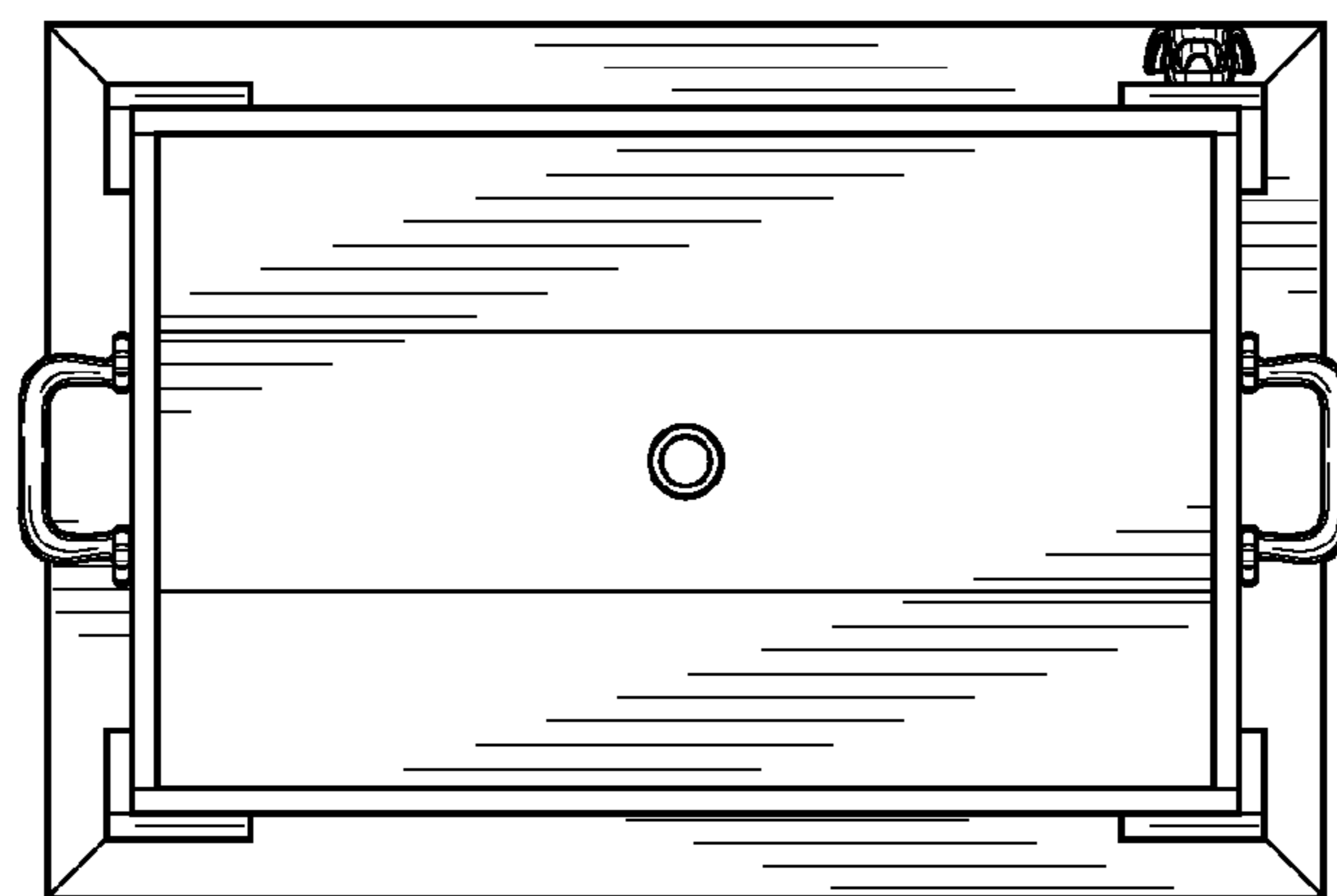
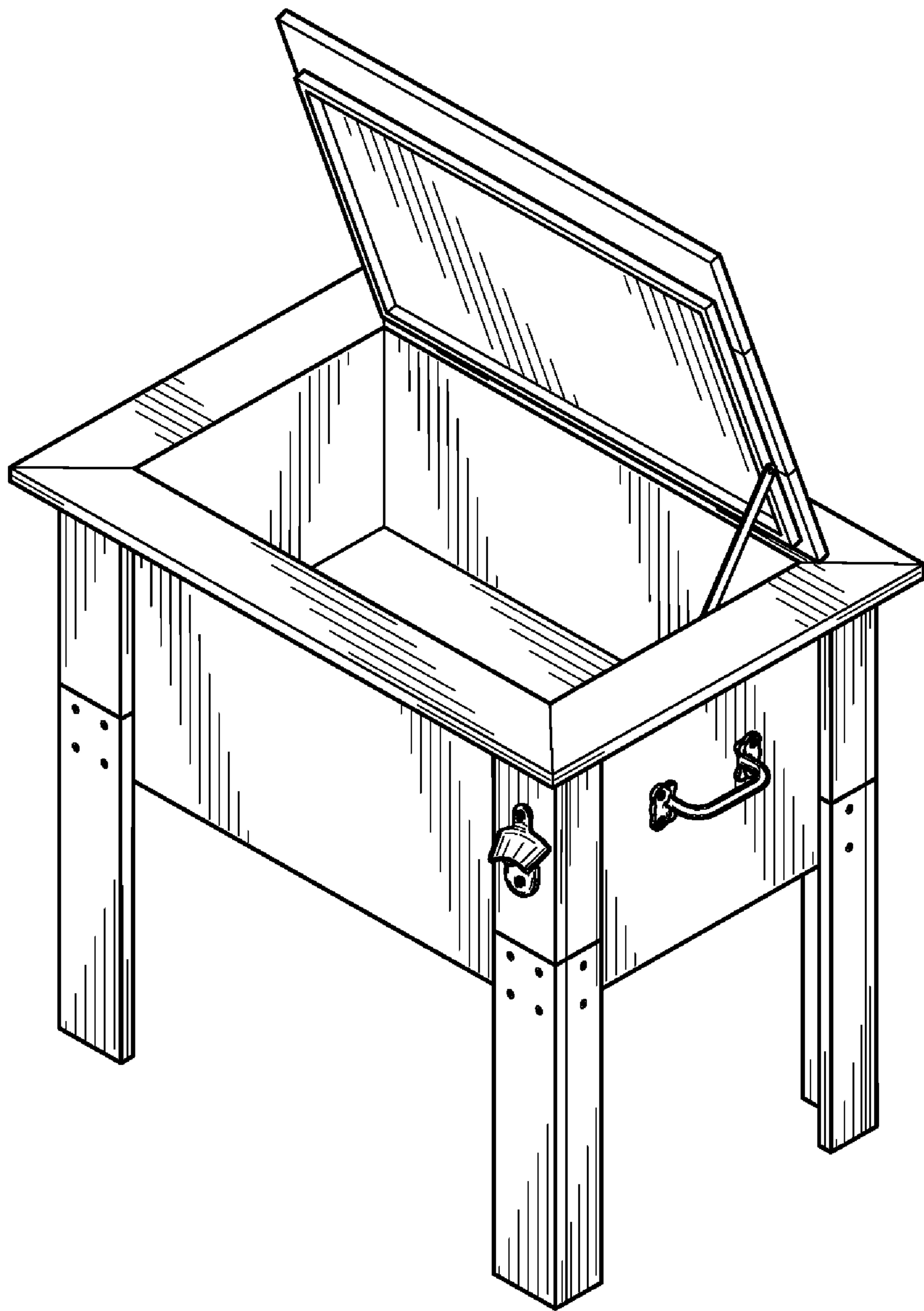


FIG. 7



*FIG. 8*

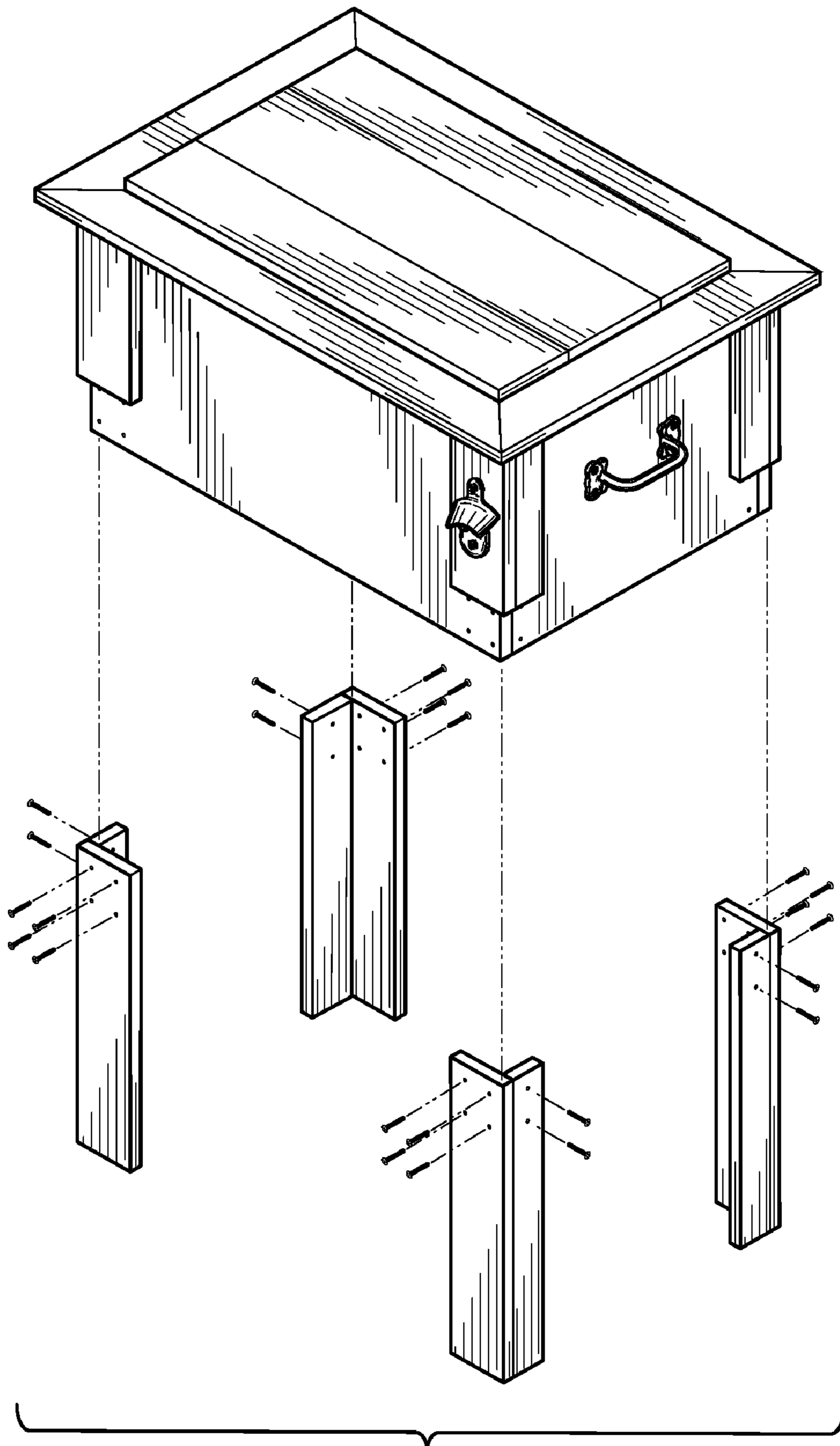


FIG. 9