



US00D591560S

(12) **United States Design Patent**
Lackey et al.

(10) **Patent No.:** **US D591,560 S**
(45) **Date of Patent:** **** May 5, 2009**

(54) **VEHICLE SERVING TRAY**

(75) Inventors: **James K. Lackey**, Blanchard, OK (US);
Steven Swisher, Broken Arrow, OK
(US)

(73) Assignee: **O Tray Corporation**, Oklahoma City,
OK (US)

(**) Term: **14 Years**

(21) Appl. No.: **29/310,579**

(22) Filed: **Aug. 27, 2008**

(51) **LOC (9) Cl.** **07-01**

(52) **U.S. Cl.** **D7/553.8**; D7/550.1; D7/553.2;
D7/553.5; D12/419

(58) **Field of Classification Search** D7/500,
D7/541, 538, 543, 549, 555, 553.8, 554.3,
D7/553.5, 553.4, 553.3, 553.2, 553.1, 550.1,
D7/558, 614, 703, 629, 357, 620; D9/741,
D9/739, 737, 759, 761; D6/406.3, 511, 406.6;
D3/315; D28/61; 211/74; 206/562, 538,
206/575, 574, 23.86, 23.83, 563, 564, 217,
206/815; 220/359.4, 556, 575, 23.8, 500,
220/4.24; 294/172; 108/25; 229/904; D12/400,
D12/415, 416, 419, 424; D27/126

See application file for complete search history.

(56) **References Cited**

U.S. PATENT DOCUMENTS

D60,025 S * 12/1921 Woodwin D7/553.8
2,375,643 A * 5/1945 Germanotta 224/201
D170,164 S * 8/1953 Randall D7/553.3
3,148,636 A * 9/1964 Blomquist et al. 108/26
3,164,110 A * 1/1965 Bofinger 108/161
D207,062 S 2/1967 Blair
3,381,825 A * 5/1968 Bessett 211/74
D220,774 S 5/1971 Goings
D222,852 S * 1/1972 Goins D9/761

D226,693 S * 4/1973 Harper D28/61
D236,575 S * 9/1975 Vigue D7/553.4
D236,677 S * 9/1975 Pilger et al. D7/550.1
3,942,671 A * 3/1976 Florian 220/23.8
D249,620 S * 9/1978 Vigue D7/553.8
D250,065 S * 10/1978 Monopoli D12/419
D255,310 S 6/1980 Spencer
D265,154 S * 6/1982 Cox D6/406.6
D268,130 S 3/1983 Easton
D271,932 S 12/1983 Mosley
4,927,024 A * 5/1990 Lloyd 206/562
D320,537 S * 10/1991 Sauter et al. D7/698

(Continued)

Primary Examiner—Philip S Hyder

Assistant Examiner—Cynthia Underwood

(74) *Attorney, Agent, or Firm*—Bill D. McCarthy; Fellers,
Snider, et al.

(57) **CLAIM**

We claim an ornamental design for a vehicle serving tray, as
shown and described.

DESCRIPTION

FIG. 1 is a front perspective view of a vehicle serving tray
showing our new design;

FIG. 2 is a top plan view thereof;

FIG. 3 is a bottom plan view thereof;

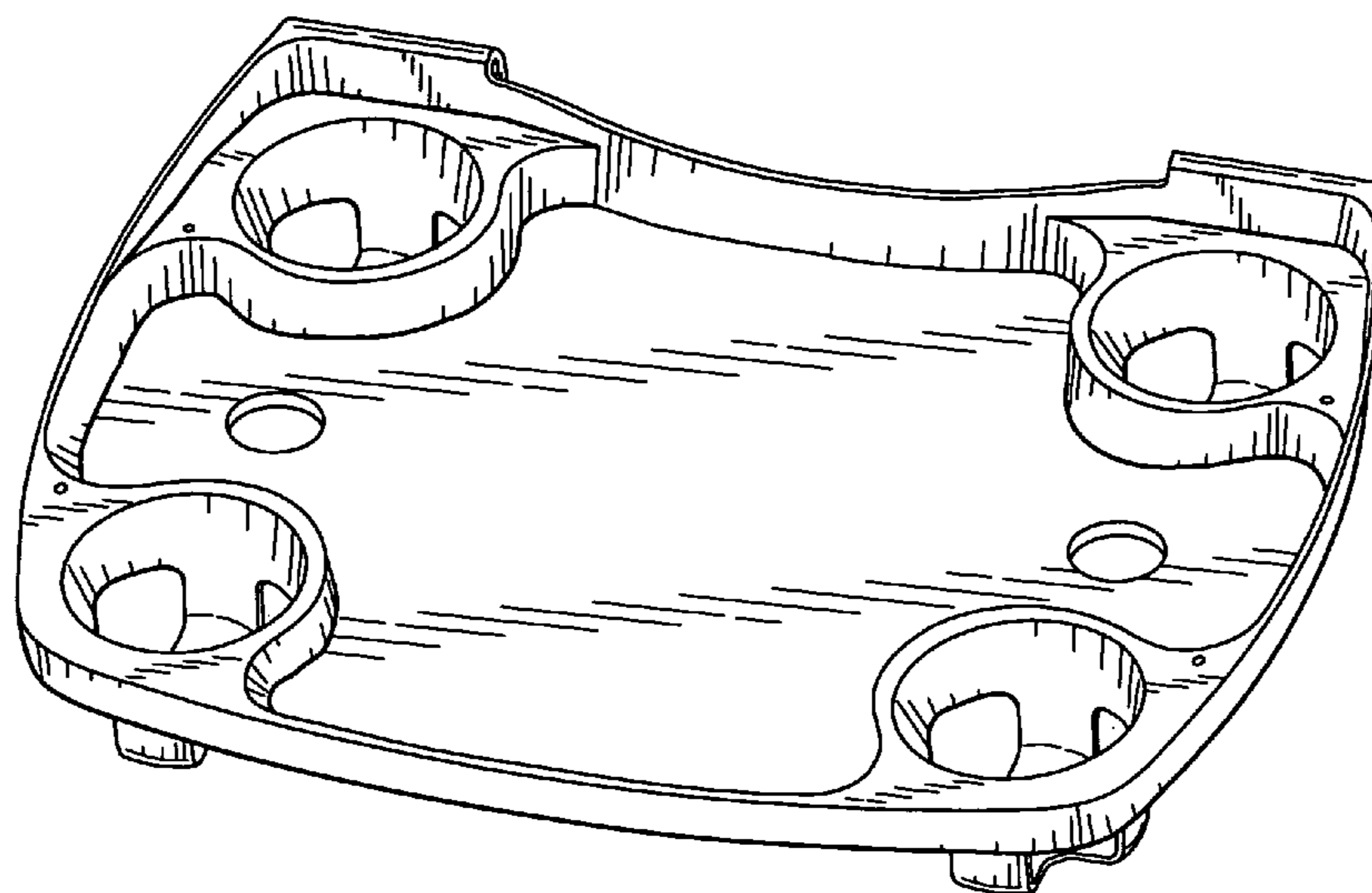
FIG. 4 is a front elevational view thereof;

FIG. 5 is a rear elevational view thereof;

FIG. 6 is an elevational view of one side thereof; and,

FIG. 7 is an elevational view of the other side thereof.

1 Claim, 3 Drawing Sheets



US D591,560 S

Page 2

U.S. PATENT DOCUMENTS

D324,192 S	2/1992	Waltel, Jr.	
D331,330 S *	12/1992	Bennett et al.	D6/406.3
D335,796 S	5/1993	Barnes	
D336,407 S *	6/1993	Harding et al.	D7/553.5
D343,083 S *	1/1994	Heiman	D6/511
D345,083 S	3/1994	Rosenfield	
5,551,593 A *	9/1996	Wiens	220/575
D382,727 S *	8/1997	Kresge et al.	D7/552.2
D389,020 S *	1/1998	LaJoie	D7/701
D399,095 S *	10/1998	Schmidt	D7/553.2
D402,411 S *	12/1998	Radler	D28/61
D404,218 S	1/1999	Sussman	
D417,785 S *	12/1999	Daniels	D3/313
D423,290 S	4/2000	Green	
D427,139 S *	6/2000	Noval	D12/419
D435,196 S	12/2000	Gregor et al.	
D446,082 S *	8/2001	Voves	D7/566
D453,891 S *	2/2002	Sussman	D7/553.1
D484,701 S *	1/2004	Fabregas	D3/315
D490,244 S *	5/2004	Pero	D3/315
D496,828 S	10/2004	Lackey	
D534,816 S *	1/2007	Newton	D9/755
7,225,927 B2 *	6/2007	Sweeney	206/564
D551,890 S *	10/2007	Gruber	D6/601
D573,410 S *	7/2008	Hou	D7/553.4

* cited by examiner

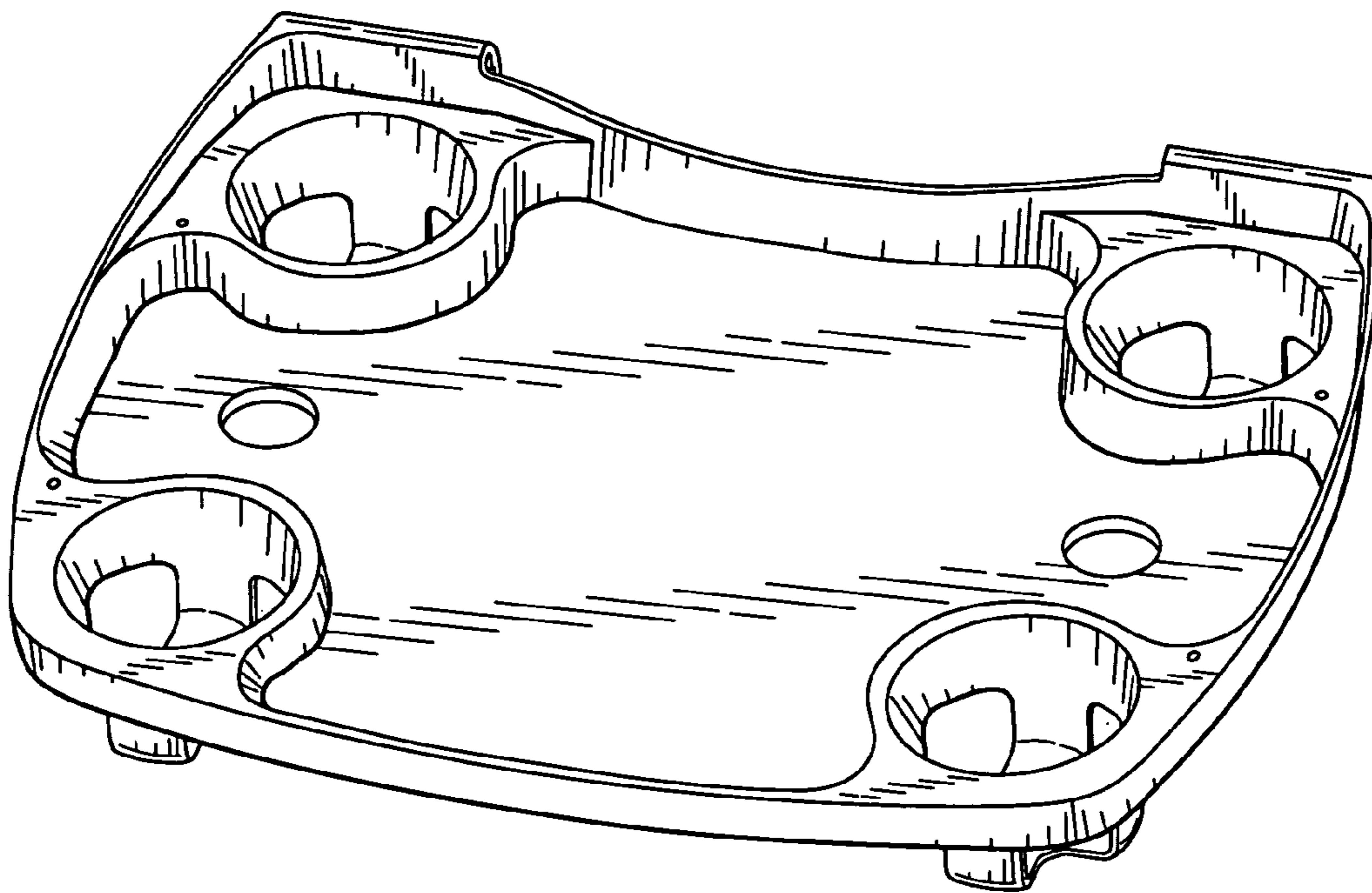


FIG. 1

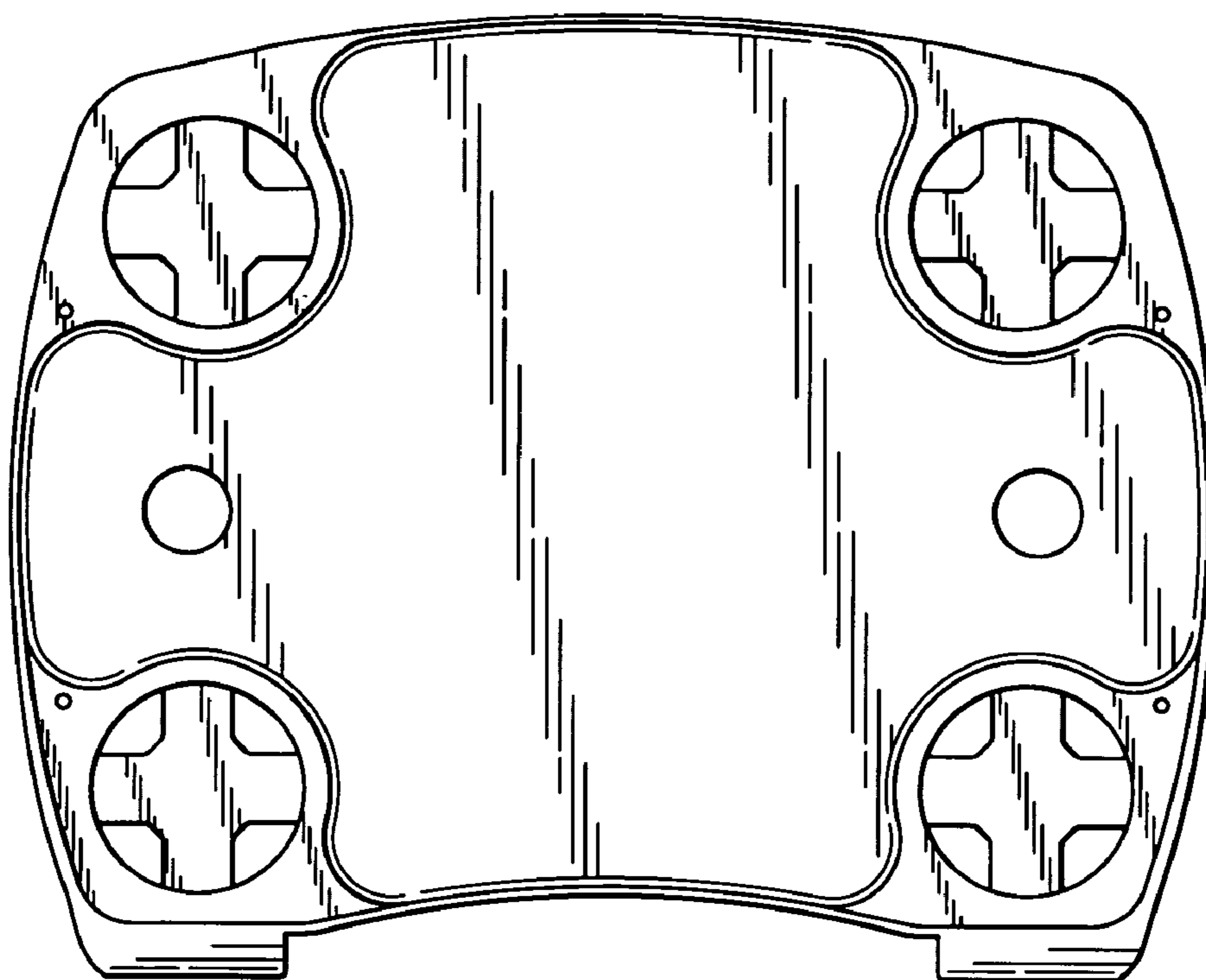


FIG. 2

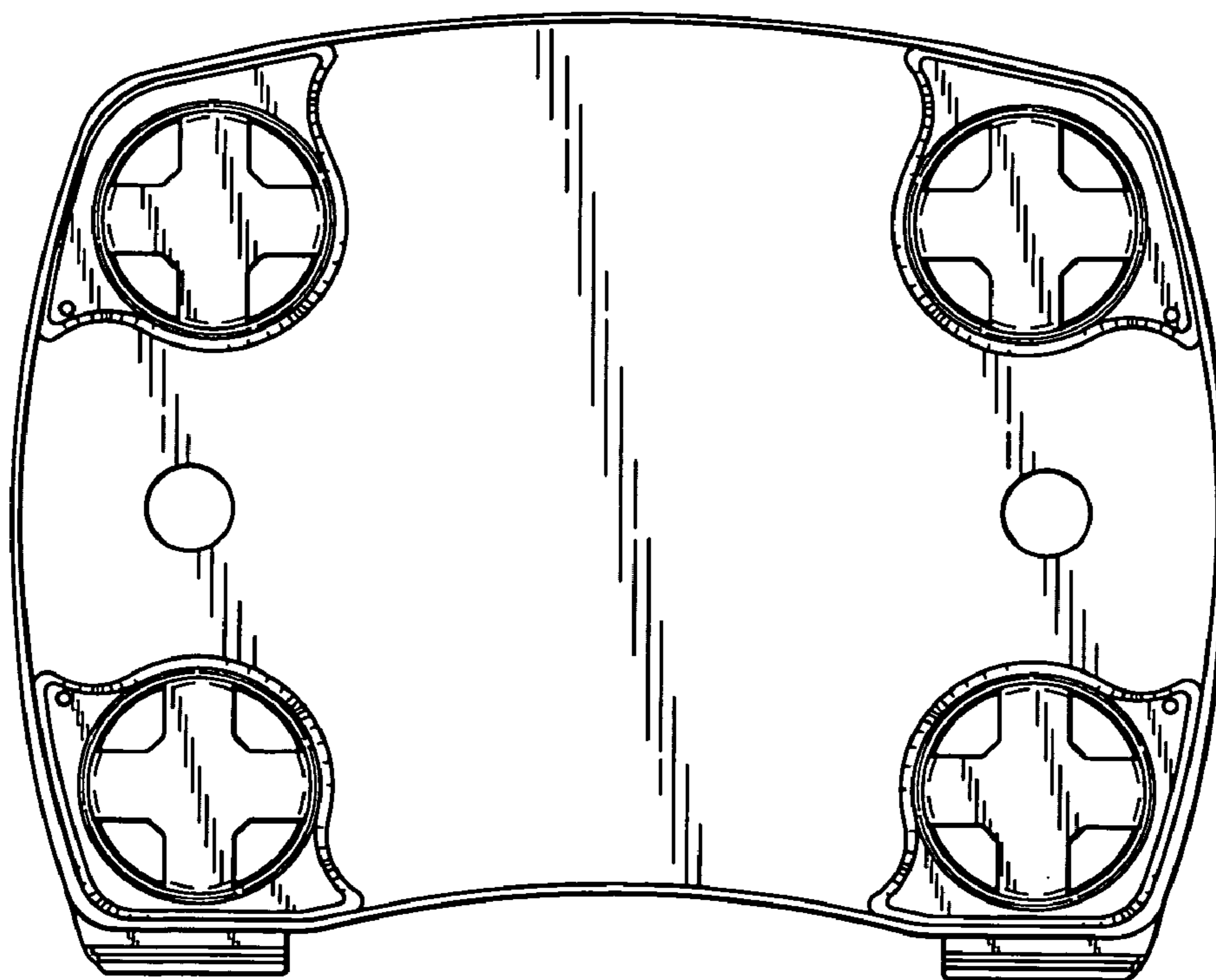


FIG. 3

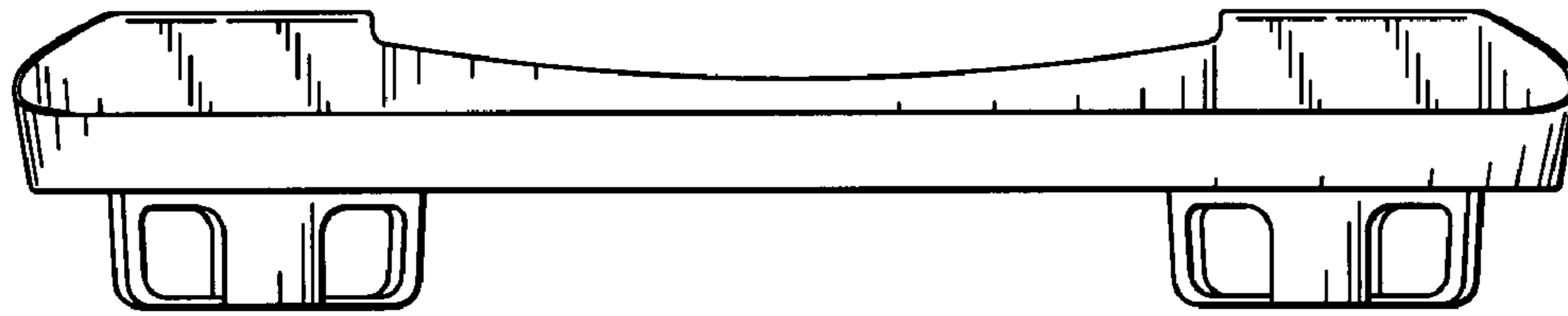


FIG. 4

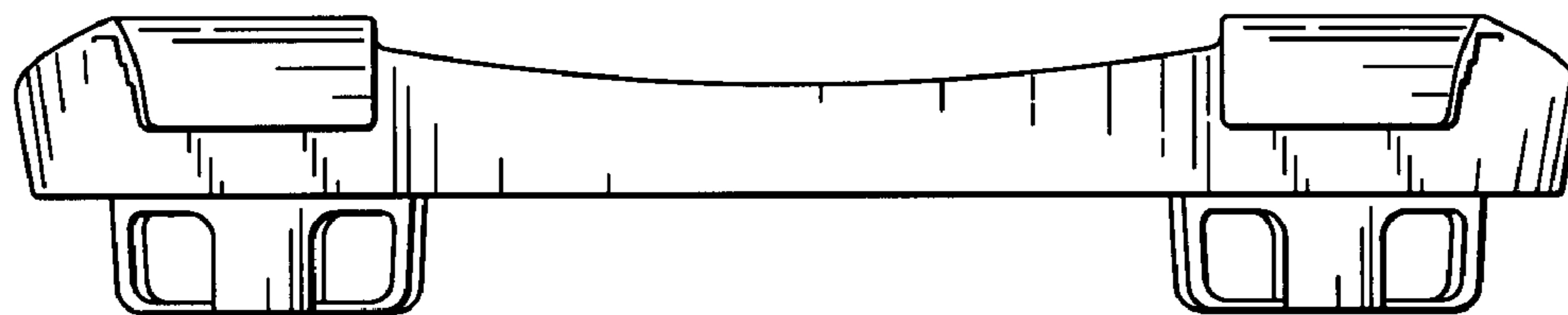


FIG. 5

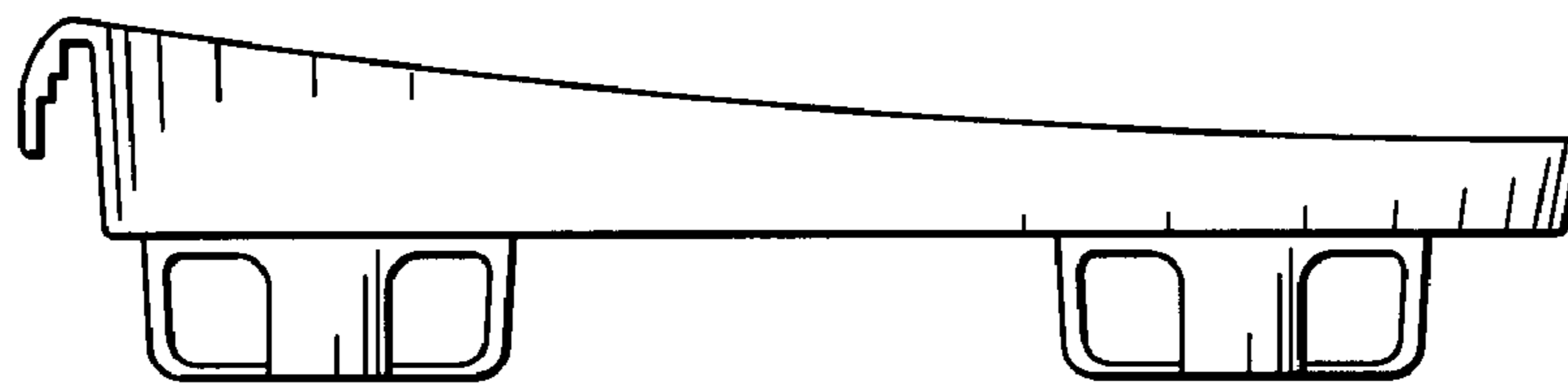


FIG. 6



FIG. 7