

US00D591558S

(12) **United States Design Patent**
Barnard et al.

(10) **Patent No.:** **US D591,558 S**

(45) **Date of Patent:** **** May 5, 2009**

(54) **BASE FOR A BLENDER**

(75) Inventors: **John K. Barnard**, Olmstead Falls, OH (US); **Richard D. Boozer**, Wakeman, OH (US); **David J. Kolar**, Stow, OH (US); **Eugene J. Kozlowski**, Medina, OH (US); **Robert M. Ulanski**, Broadview Heights, OH (US)

(73) Assignee: **Vita-Mix Corporation**, Cleveland, OH (US)

(**) Term: **14 Years**

(21) Appl. No.: **29/310,183**

(22) Filed: **Jul. 30, 2008**

(51) **LOC (9) Cl.** **31-00**

(52) **U.S. Cl.** **D7/412**

(58) **Field of Classification Search** D7/317-318,
D7/356, 376-386, 392, 412-415, 665; D9/438,
D9/449, 503; 99/348, 509-511; 215/253;
222/465.1; 241/30-37.5, 101.01-101.2,
241/166-169.1, 199.12, 274-278.2, 285.1-285.3,
241/291, 292.1; 366/64-67, 98, 192, 197-211,
366/205-206, 241-254, 279-292, 341-343
See application file for complete search history.

(56) **References Cited**

U.S. PATENT DOCUMENTS

| | | | | |
|--------------|---------|-----------------|-------|--------|
| D191,153 S * | 8/1961 | Gresins | | D7/386 |
| D198,070 S | 4/1964 | Musichuk | | |
| D204,117 S | 3/1966 | Di Sesa | | |
| D204,224 S | 3/1966 | Gantz | | |
| D207,692 S | 5/1967 | Dykes | | |
| D217,522 S | 5/1970 | Madl | | |
| D232,297 S | 8/1974 | Mantelet | | |
| D250,568 S * | 12/1978 | Belinkoff | | D7/384 |
| D255,759 S | 7/1980 | Ernest | | |
| D256,318 S * | 8/1980 | Levin | | D7/384 |
| D258,109 S * | 2/1981 | Fukumoto et al. | | D7/384 |
| D261,718 S * | 11/1981 | Harrison | | D7/384 |

| | | | | |
|-------------------|---------|------------------|-------|------------|
| D267,538 S * | 1/1983 | Steinkamp et al. | | D7/386 |
| D277,634 S * | 2/1985 | Doggett | | D7/386 |
| D283,972 S * | 5/1986 | Prevot | | D7/384 |
| D290,218 S * | 6/1987 | Thomas | | D7/412 |
| D336,590 S | 6/1993 | Barnard | | |
| 5,533,797 A | 7/1996 | Gelber | | |
| D385,149 S * | 10/1997 | Feil | | D7/378 |
| D389,696 S * | 1/1998 | Feil | | D7/386 |
| 2002/0027175 A1 * | 3/2002 | Capp | | 241/199.12 |

OTHER PUBLICATIONS

“Bar and Restaurant Customer Catalog”, Oster Professional Products Dept., Milwaukee, Wisconsin, 6 pages (1986).
“Hamilton Beach”, Hamilton Beach Commercial, Glen Allen, VA, 5 pages (Aug. 1998).

(Continued)

Primary Examiner—Caron Veynar

Assistant Examiner—Ricky Pham

(74) *Attorney, Agent, or Firm*—Renner, Kenner, Greive, Bobak, Taylor & Weber

(57) **CLAIM**

The ornamental design for a base for a blender, as shown and described.

DESCRIPTION

FIG. 1 is a front, top, right side perspective view of a base for a blender showing our new design;

FIG. 2 is a rear, bottom, left side perspective view thereof;

FIG. 3 is a front elevational view thereof;

FIG. 4 is a rear elevational view thereof;

FIG. 5 is a right side elevational view thereof;

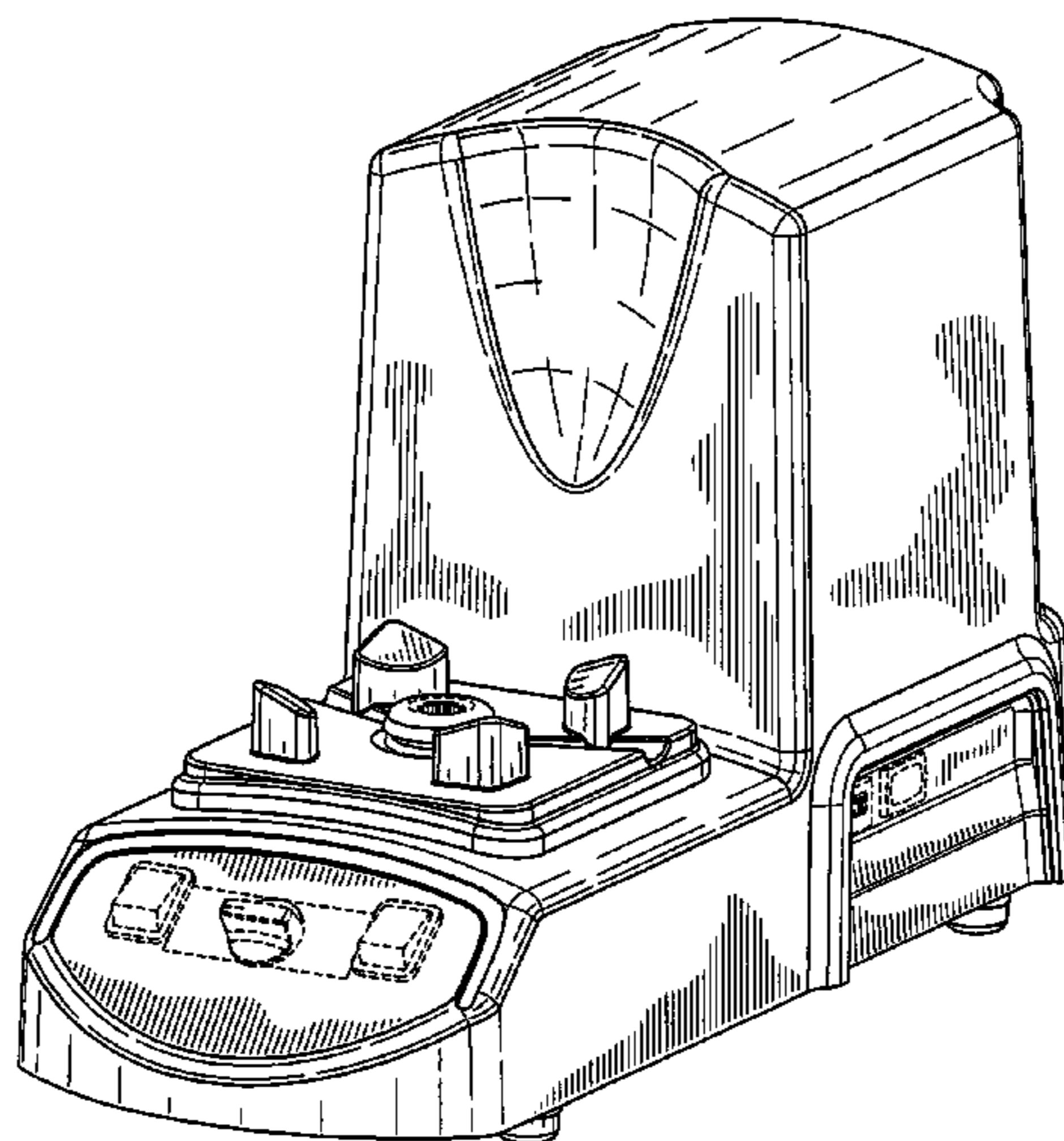
FIG. 6 is a left side elevational view thereof;

FIG. 7 is a top plan view thereof; and,

FIG. 8 is a bottom plan view thereof.

The elements shown in dotted lines are not part of the claimed invention.

1 Claim, 7 Drawing Sheets



OTHER PUBLICATIONS

“Model 990 1 Gallon Blender”, Hamilton Beach Commercial, Glen Allen, VA, 2 pages (Nov. 1992).

“Vita-prep™ The Professional Chef’s Power Tool”, Vita-Mix Corporation, Cleveland, OH, 2 pages (May 1998).

“Vita-Pro® —The Difference is Clear”, Vita-Mix Corporation, Cleveland, OH, 2 pages (Jul. 2001).

“Finally, A Boss That Flips Itself Off”, Vita-Mix Corporation, Cleveland, OH, 4 pages (Nov. 2002).

“What more can the world’s best blender offer? More Quiet.”, Vita-Mix Corporation, Cleveland, OH, 4 pages (Apr. 1998).

“Get Trim & Fit Fast”, Vita-Mix Corporation, Cleveland, OH, 7 pages (Jan. 1999).

* cited by examiner

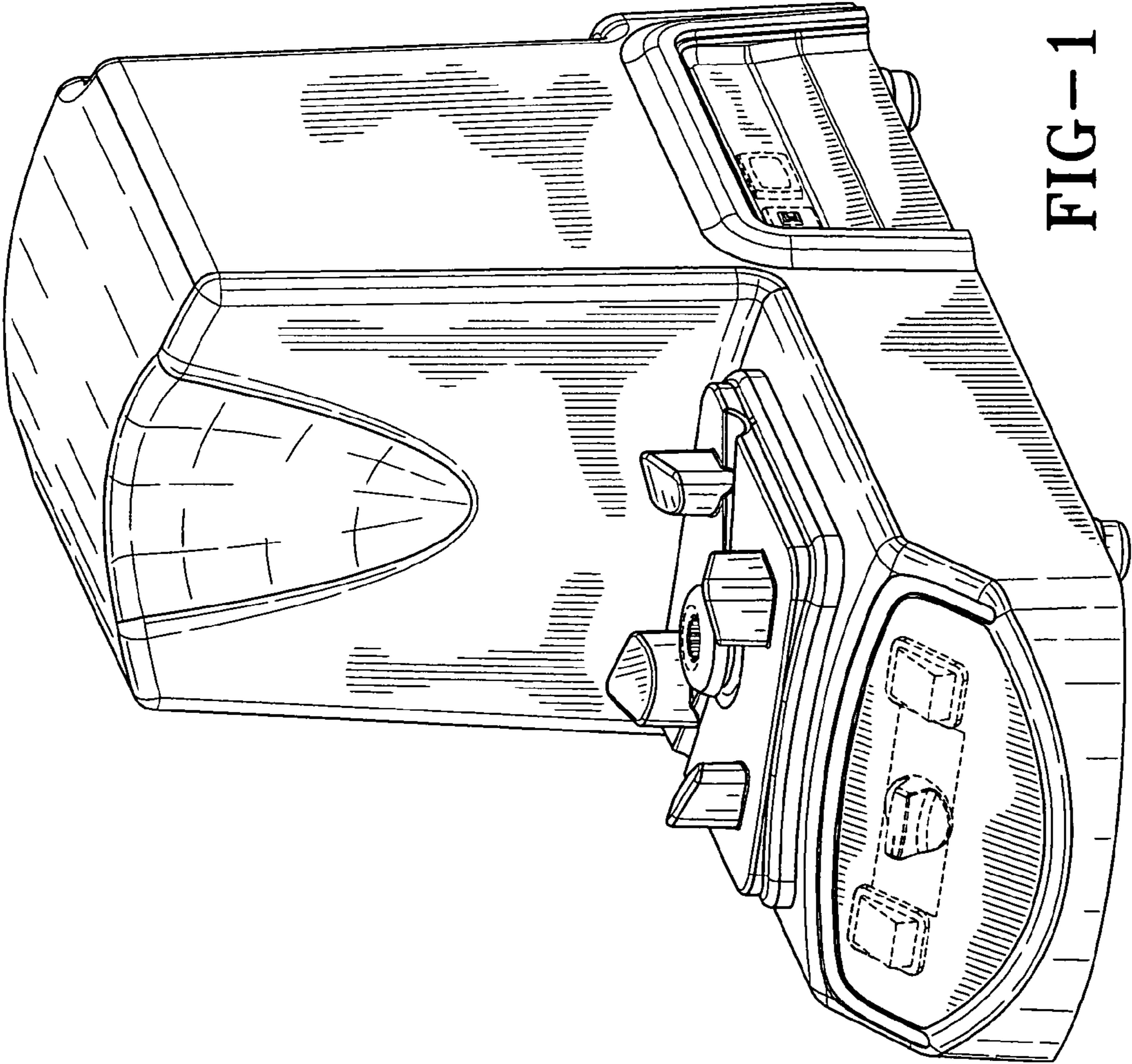


FIG--1

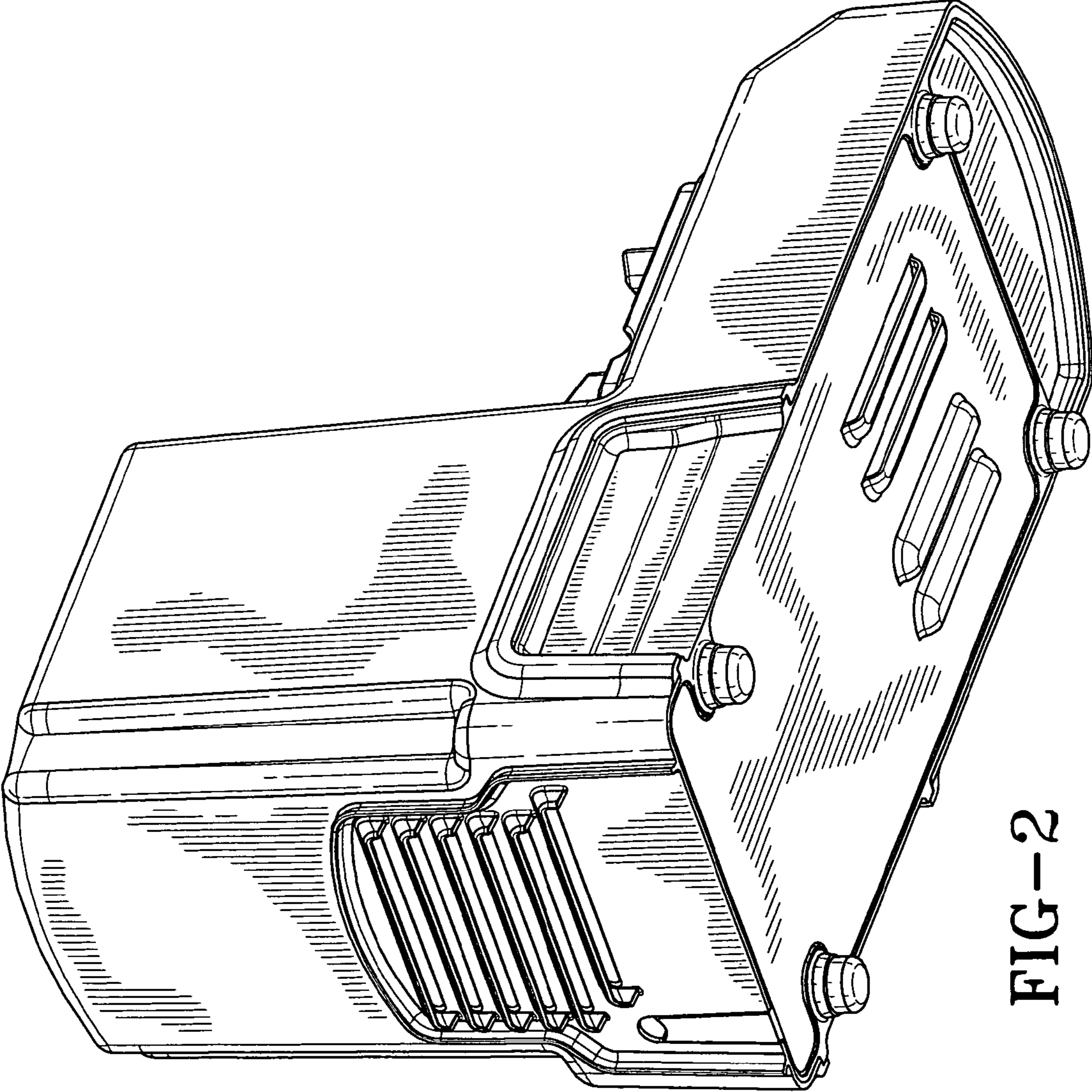


FIG-2

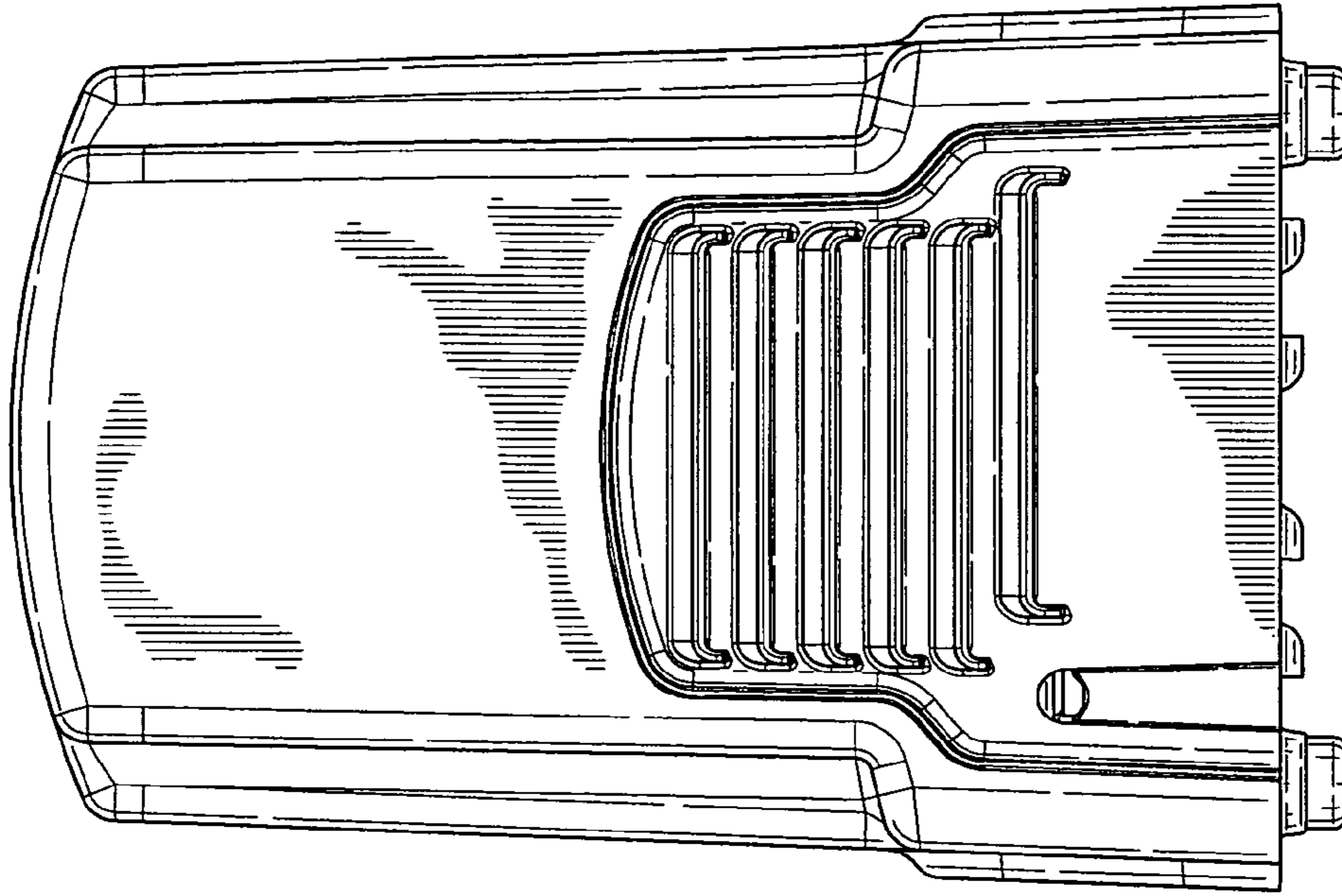


FIG-4

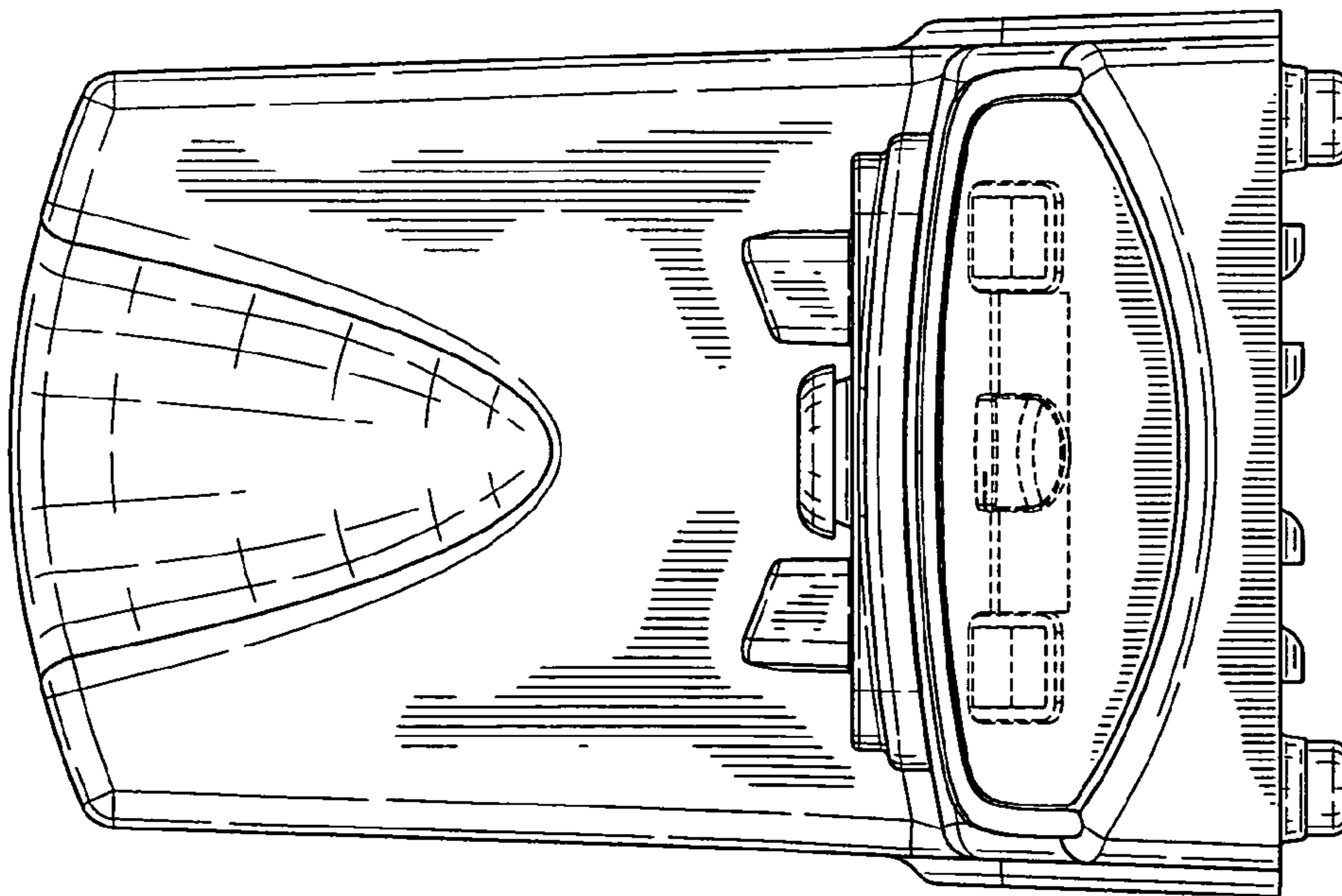


FIG-3

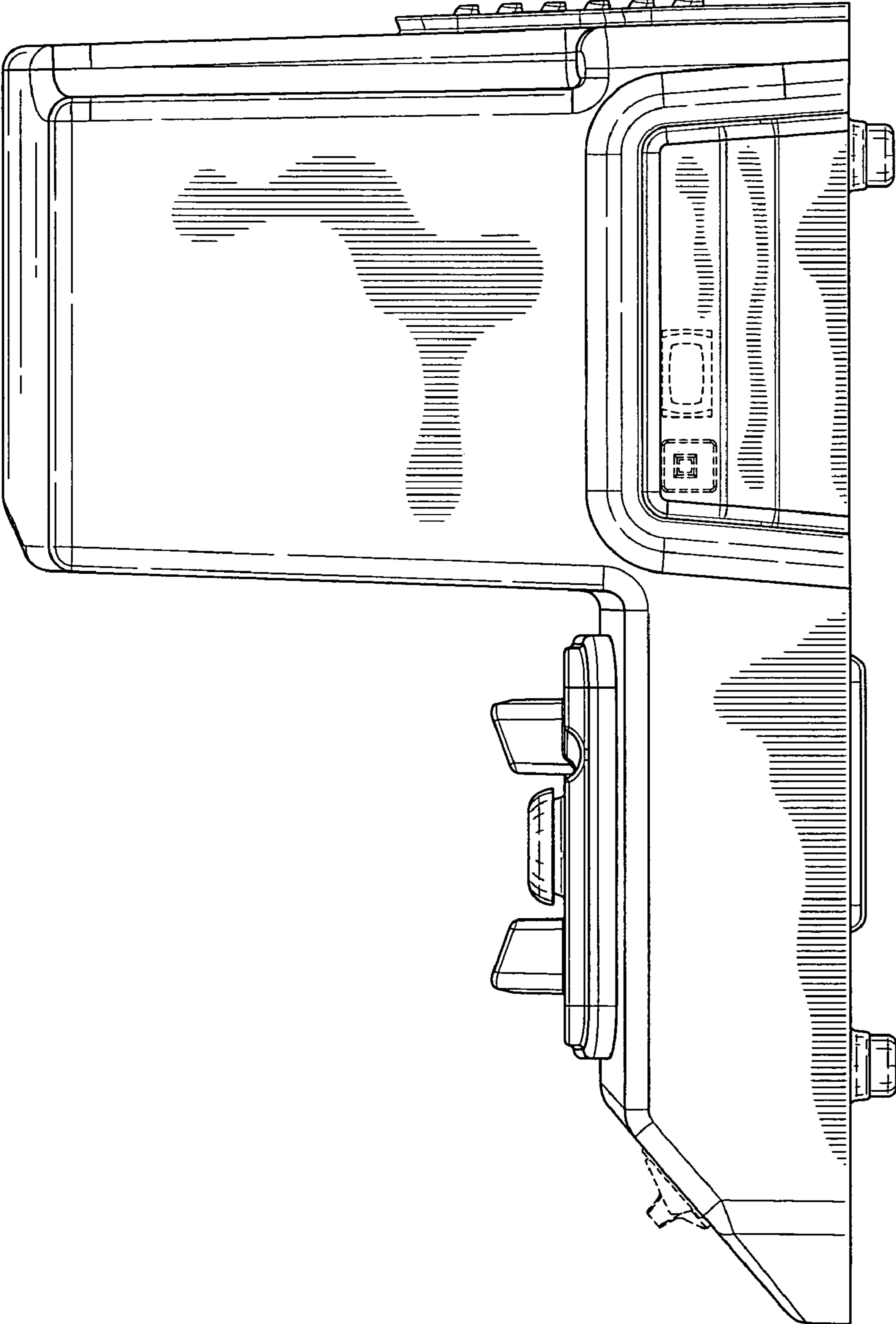


FIG-5

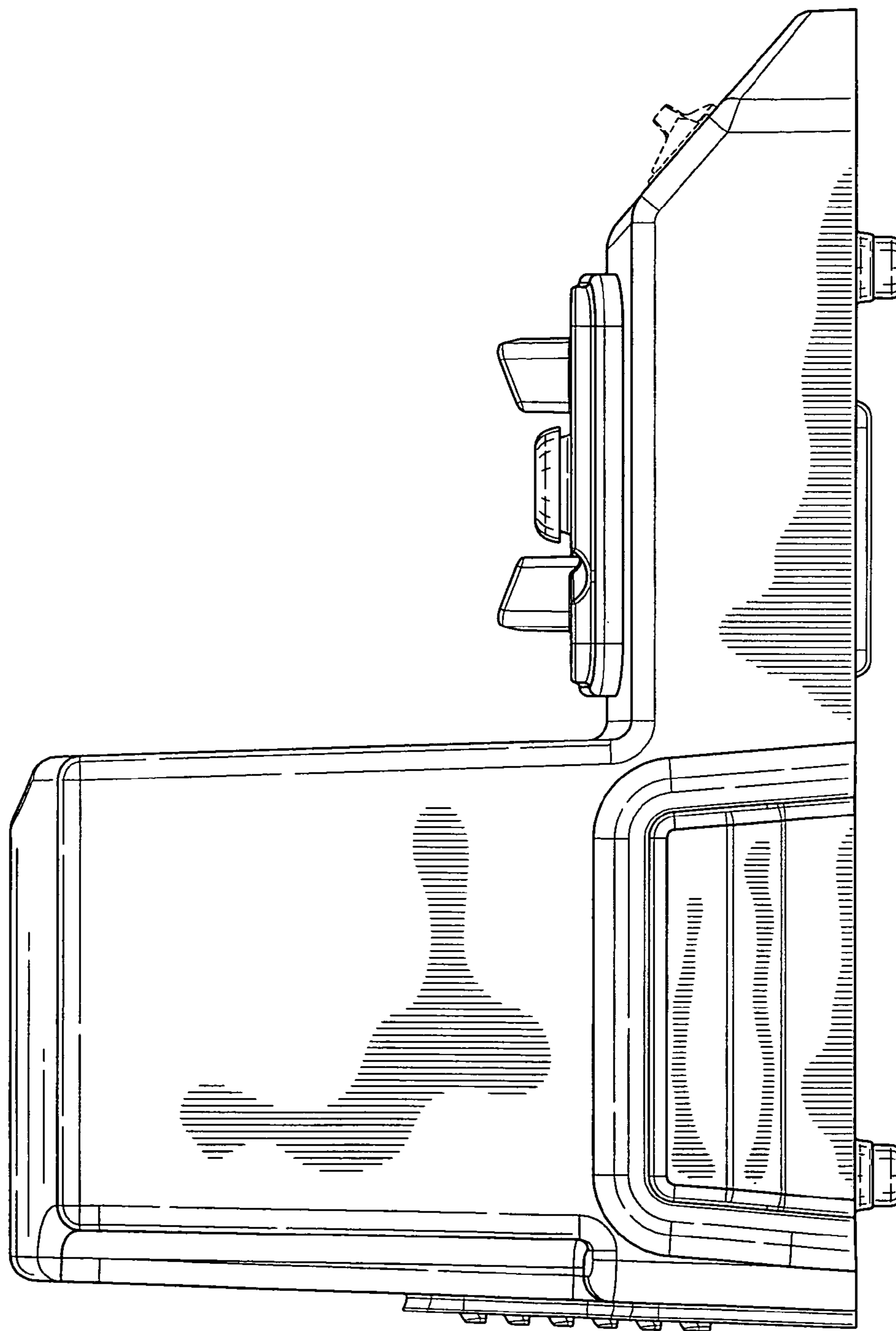


FIG-6

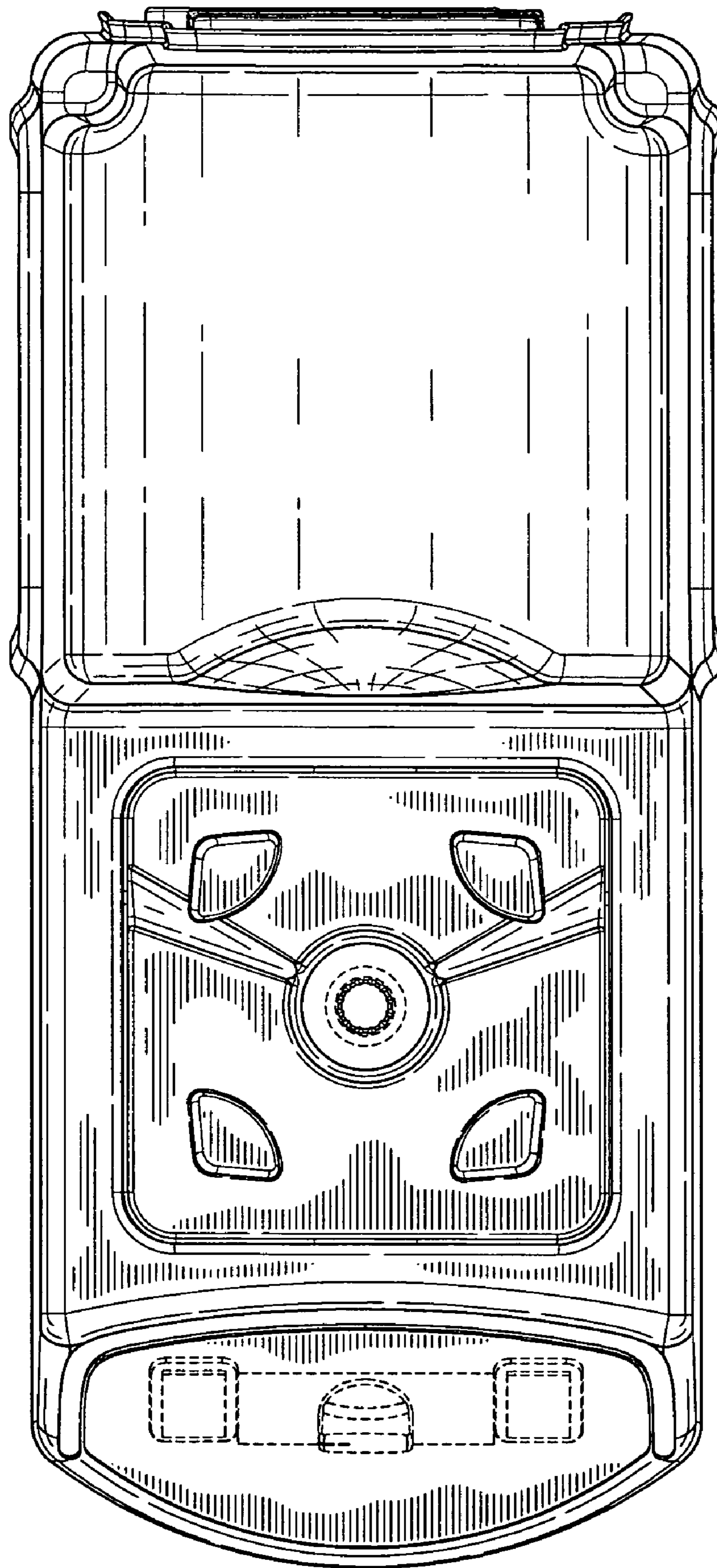


FIG-7

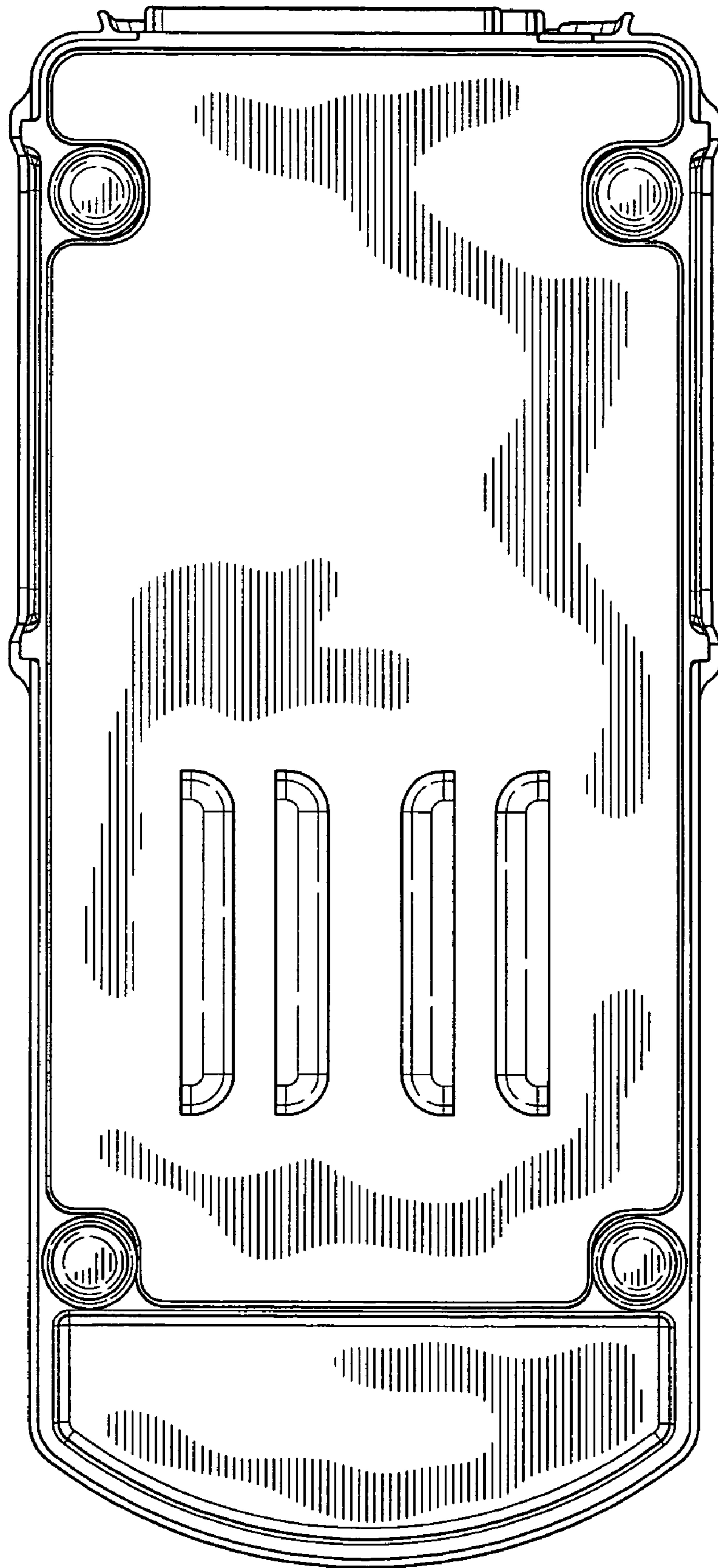


FIG-8