



US00D591556S

(12) **United States Design Patent**
Fuller

(10) **Patent No.:** **US D591,556 S**

(45) **Date of Patent:** **** *May 5, 2009**

(54) **TOP FOR BEVERAGE CONTAINER**

(76) **Inventor:** **Mark A. Fuller**, P.O. Box 216,
Sandpoint, ID (US) 83864

(*) **Notice:** This patent is subject to a terminal disclaimer.

(**) **Term:** **14 Years**

(21) **Appl. No.:** **29/301,013**

(22) **Filed:** **Feb. 7, 2008**

(51) **LOC (9) Cl.** **07-01**

(52) **U.S. Cl.** **D7/396.2; D7/396.1; D7/900**

(58) **Field of Classification Search** D7/624.2,
D7/396.2, 388, 900, 396.1, 391, 601, 602,
D7/608, 541, 510, 511; D9/444, 443, 447,
D9/435; 220/703, 254.9, 719, 797, 711,
220/713, 254; 222/542

See application file for complete search history.

(56) **References Cited**

U.S. PATENT DOCUMENTS

2,304,214 A * 12/1942 Straub 222/542
D160,491 S * 10/1950 Goldman D9/443
3,273,745 A * 9/1966 Stec 220/231
D386,683 S * 11/1997 Wong D9/443

D397,905 S * 9/1998 Hsu D7/317
D516,424 S * 3/2006 Schweigert et al. D9/447
7,011,227 B2 * 3/2006 Ward et al. 220/254.3
D525,826 S * 8/2006 Kugler D7/392.1
D527,219 S * 8/2006 Trombly D7/392.1
D536,214 S * 2/2007 Schuler et al. D7/392.1
2006/0231559 A1 * 10/2006 Allen 220/501

* cited by examiner

Primary Examiner—Philip Hyder

Assistant Examiner—Cynthia Underwood

(74) *Attorney, Agent, or Firm*—Bergman & Jeckle, PLLC

(57) **CLAIM**

The ornamental design for top for beverage container, as shown.

DESCRIPTION

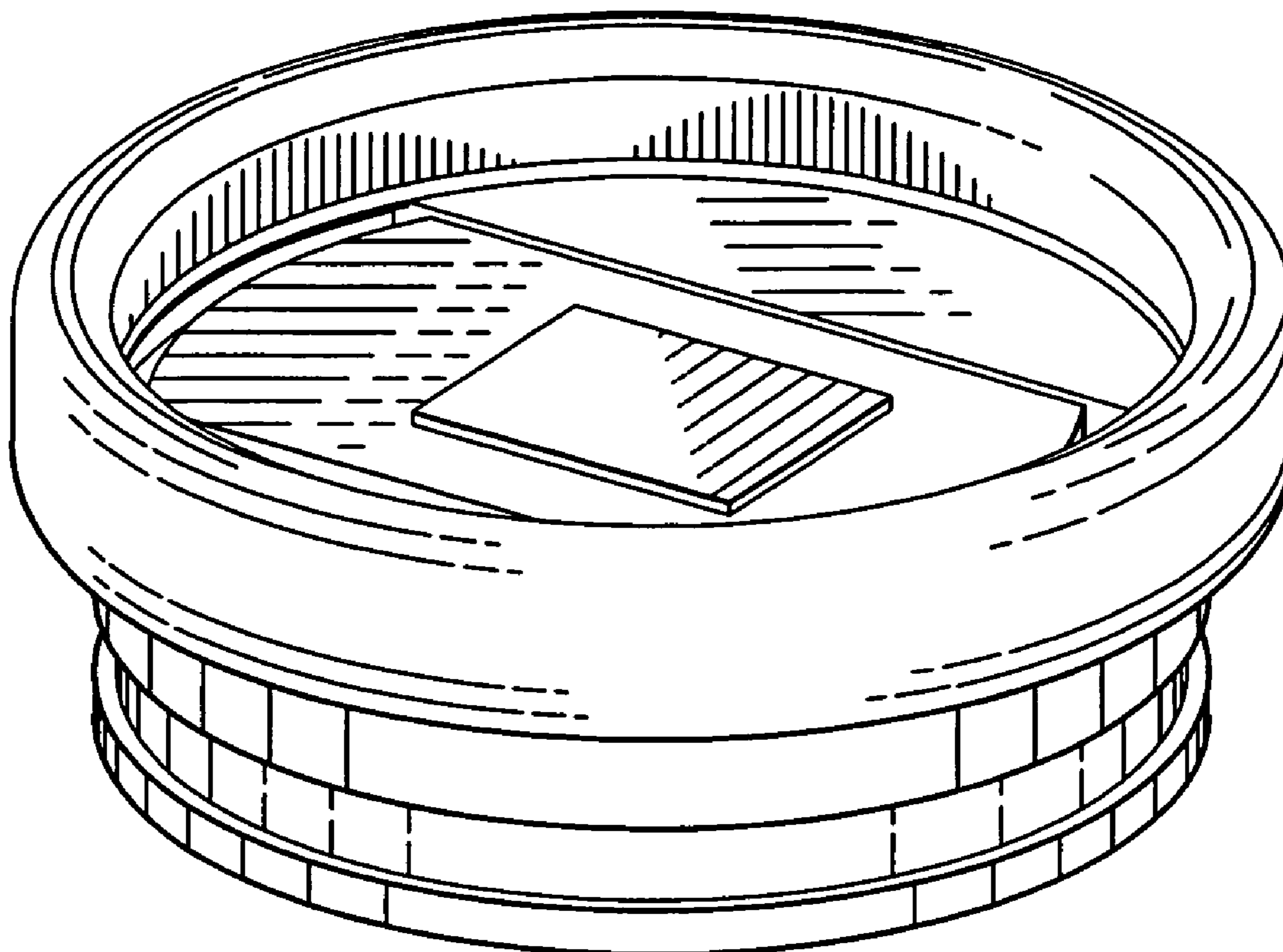
FIG. 1 is an isometric top and side view of top for beverage container showing my design;

FIG. 2 is an orthographic side view of the top for beverage container, all side views being the same;

FIG. 3 is an orthographic top view thereof; and,

FIG. 4 is an orthographic bottom view thereof. The broken lines are for environmental purposes and form no part of the claimed design.

1 Claim, 2 Drawing Sheets



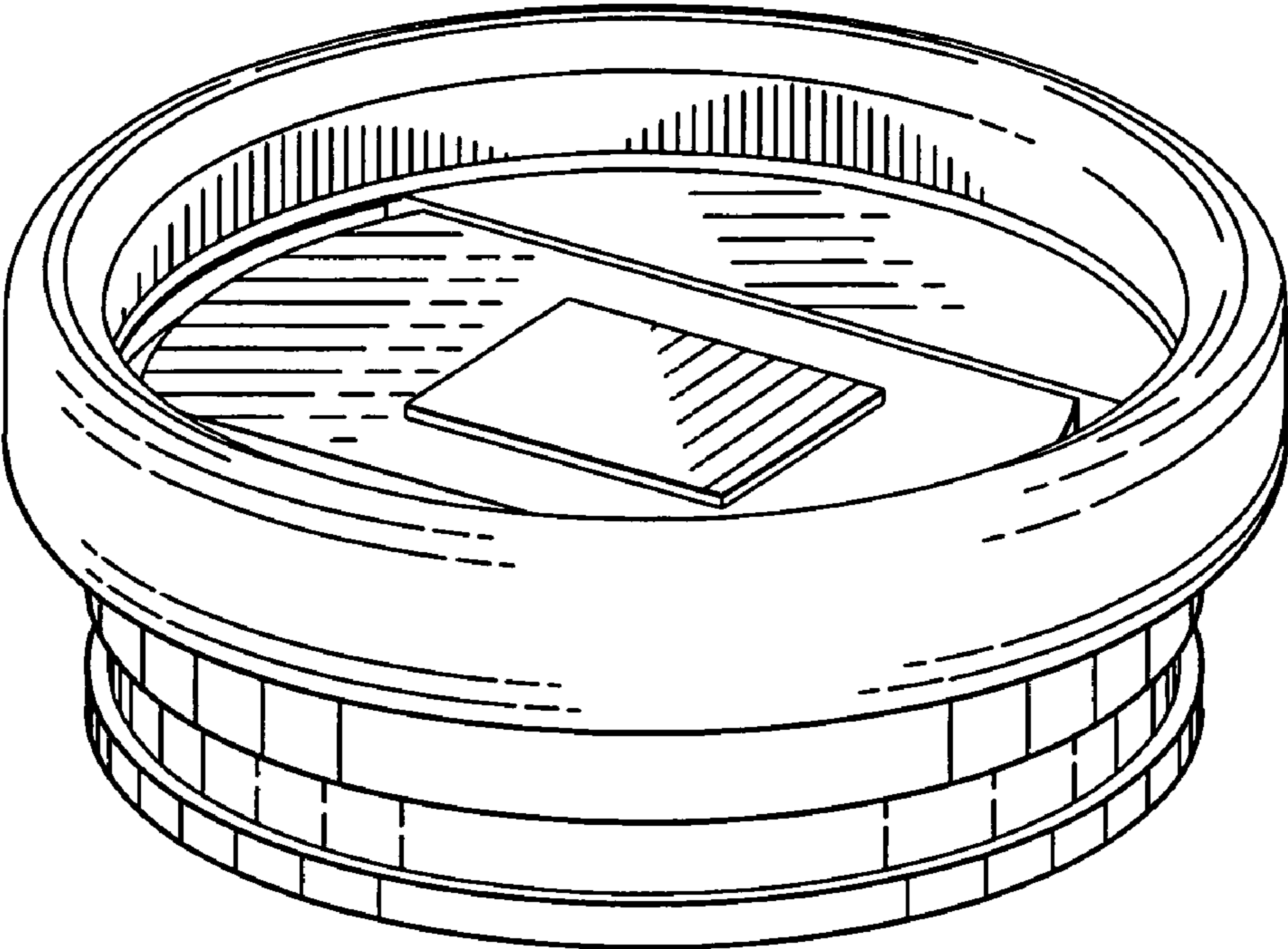


Fig. 1

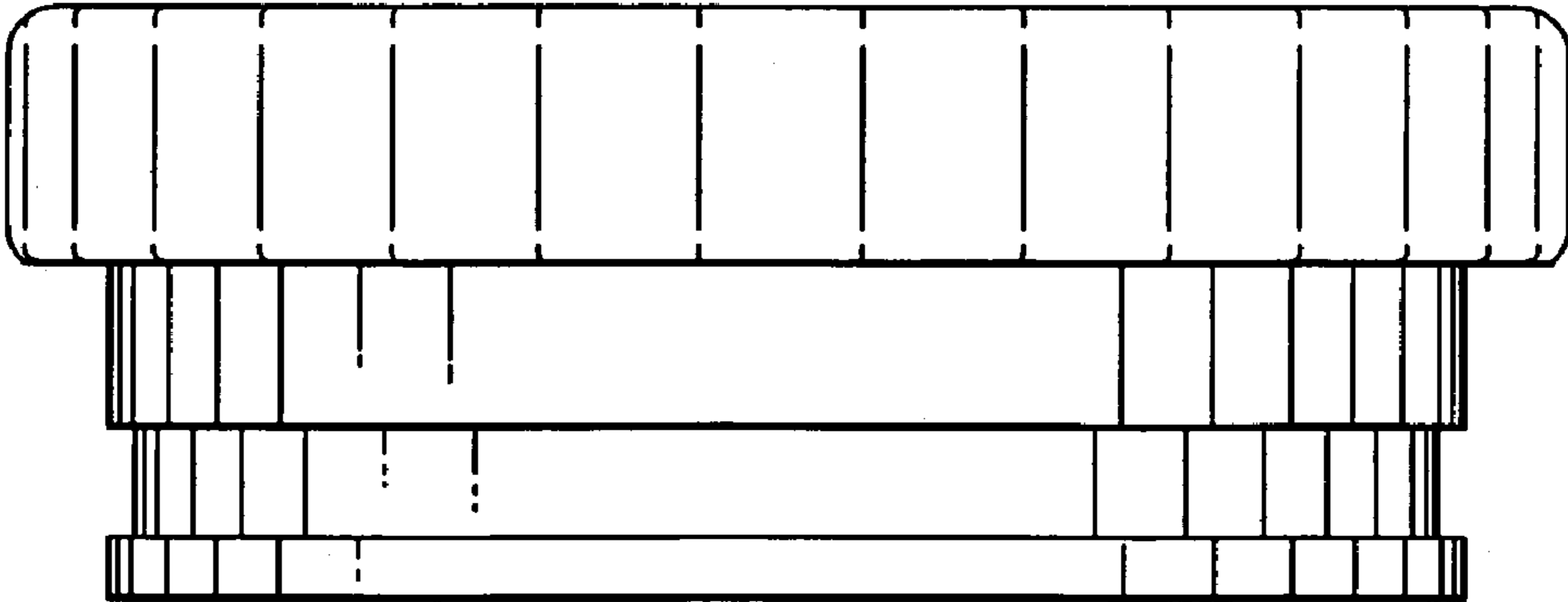


Fig. 2

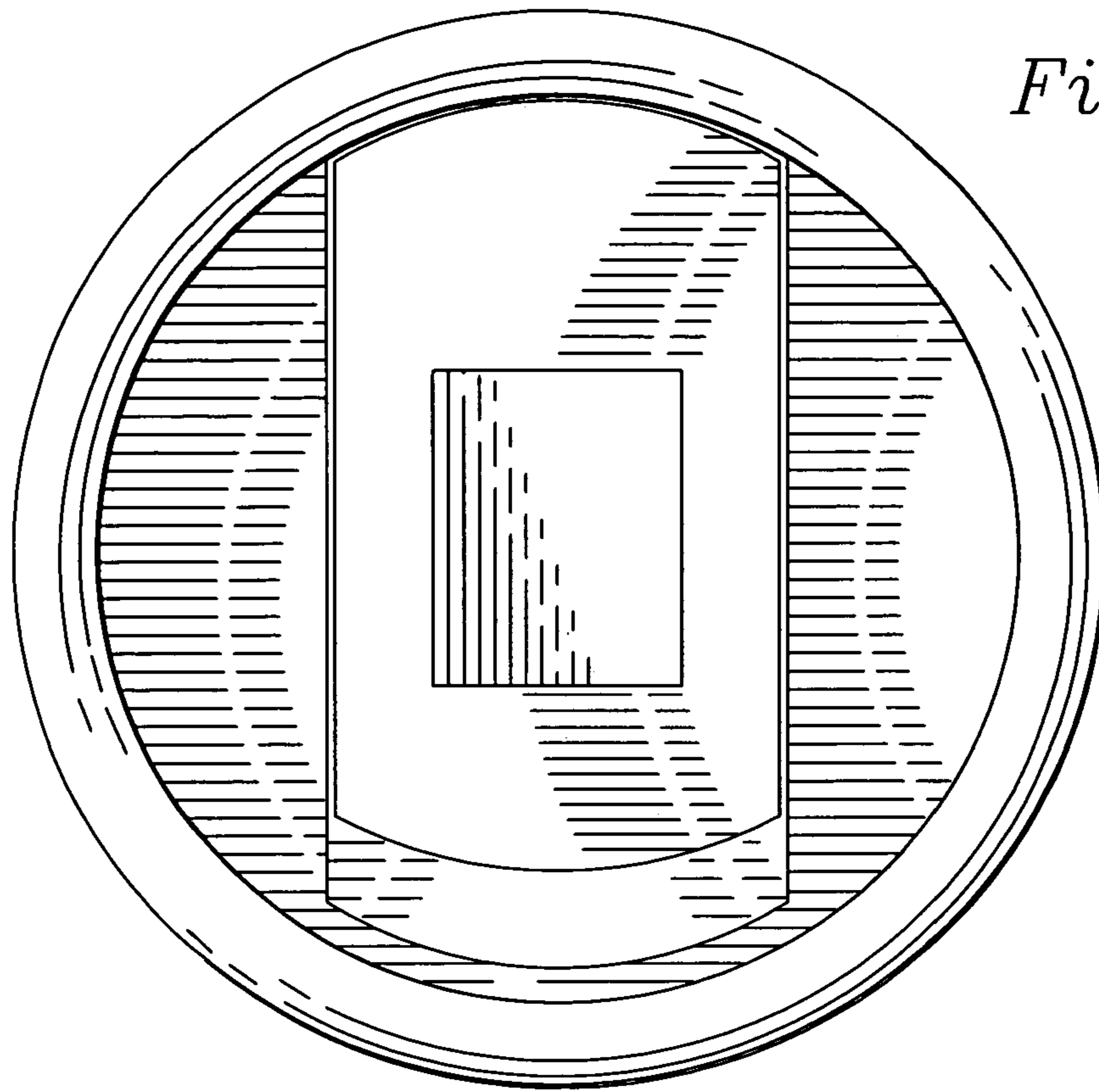


Fig. 3

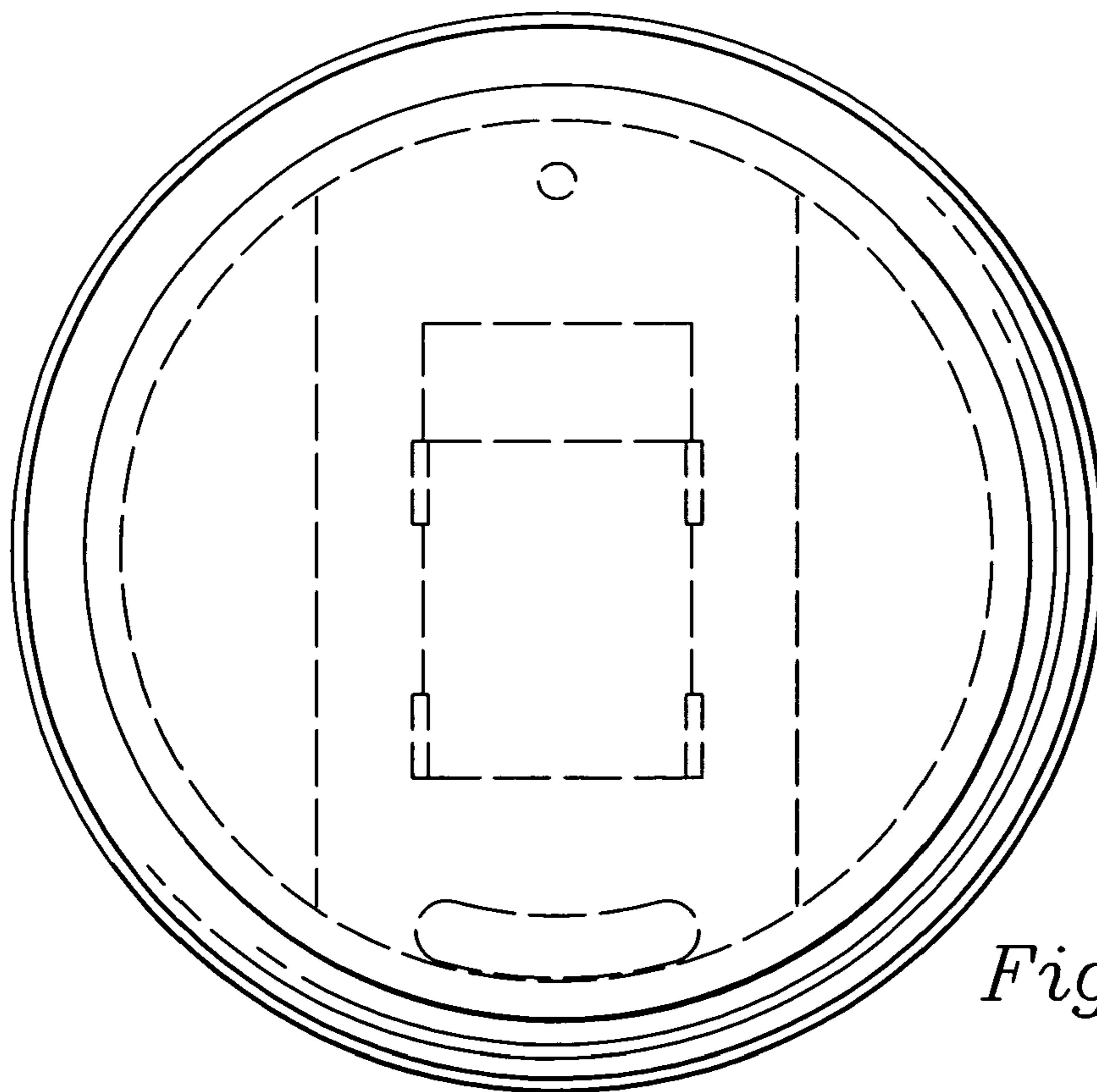


Fig. 4