



US00D591555S

(12) **United States Design Patent**
Sanfilippo et al.

(10) **Patent No.:** **US D591,555 S**

(45) **Date of Patent:** **** *May 5, 2009**

(54) **LID FOR A FLEXIBLE CONTAINER**

(75) Inventors: **John E. Sanfilippo**, Barrington Hills, IL (US); **James J. Sanfilippo**, Barrington Hills, IL (US); **Jeanne M. Skaggs**, Arlington Heights, IL (US); **Roy Speer**, Barrington Hills, IL (US)

(73) Assignee: **Clear Lam Packaging, Inc.**, Elk Grove Village, IL (US)

(*) Notice: This patent is subject to a terminal disclaimer.

(**) Term: **14 Years**

(21) Appl. No.: **29/319,849**

(22) Filed: **Jun. 16, 2008**

Related U.S. Application Data

(63) Continuation of application No. 29/295,567, filed on Oct. 1, 2007, now Pat. No. Des. 571,146.

(51) **LOC (9) Cl.** **07-02**

(52) **U.S. Cl.** **D7/391**

(58) **Field of Classification Search** D7/317-319, D7/391-392.1, 396.2, 510-511, 550.1, 601-602, D7/629, 900; D9/414-418, 420-425, 428-430, D9/434-436, 440-454, 503-504, 734; 215/200, 215/211, 224, 248; 220/213, 254.7, 258.2, 220/281, 283, 326, 350-351, 700-701, 714-716, 220/832; 229/120, 406, 902, 906; 426/106, 426/113

See application file for complete search history.

(56) **References Cited**

U.S. PATENT DOCUMENTS

3,968,921 A * 7/1976 Jewell 229/406
5,036,997 A 8/1991 May et al. 220/335
D351,090 S * 10/1994 Narsutis D7/629
5,353,946 A * 10/1994 Behrend 220/326

(Continued)

Primary Examiner—Caron Veynar

Assistant Examiner—Ricky Pham

(74) *Attorney, Agent, or Firm*—Marshall, Gerstein & Borun LLP

(57) **CLAIM**

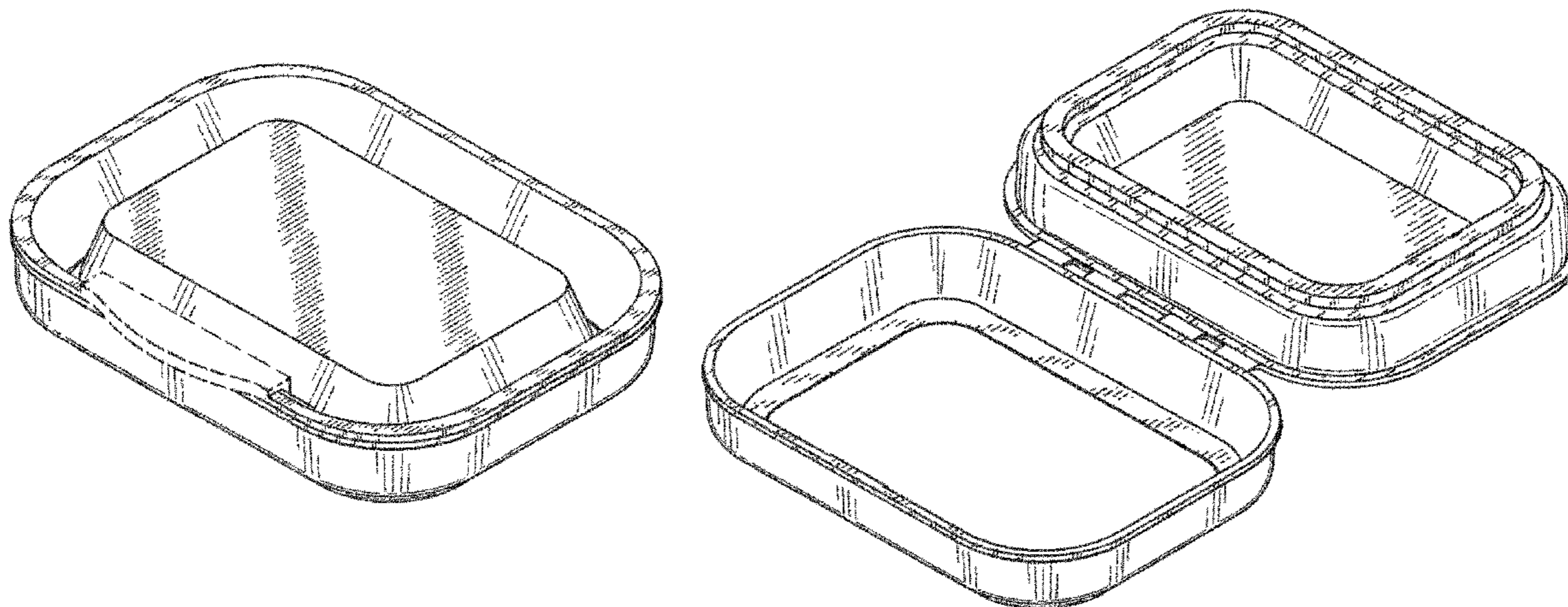
The ornamental design for a “lid for a flexible container,” as shown and described.

DESCRIPTION

FIG. 1 is a perspective view of a lid for a flexible container; FIG. 2 is a front side view of the lid for a flexible container; FIG. 3 is a back side view of the lid for a flexible container; FIG. 4 is a right side view of the lid for a flexible container; FIG. 5 is a left side view of the lid for a flexible container; FIG. 6 is a top view of the lid for a flexible container; FIG. 7 is a bottom view of the lid for a flexible container; FIG. 8 is a perspective view of the lid for a flexible container with the lid in an open position; FIG. 9 is a front side view of the lid for a flexible container with the lid in an open position; FIG. 10 is a back side view of the lid for a flexible container with the lid in an open position; FIG. 11 is a right side view of the lid for a flexible container with the lid in an open position; FIG. 12 is a left side view of the lid for a flexible container with the lid in an open position; FIG. 13 is a top view of the lid for a flexible container with the lid in an open position; and, FIG. 14 is a bottom view of the lid for a flexible container with the lid in an open position.

The broken lines in the figures showing a grip on the lid are for illustrative purposes only and form no part of the claimed design.

1 Claim, 8 Drawing Sheets



US D591,555 S

Page 2

U.S. PATENT DOCUMENTS

D354,436 S	1/1995	Krupa	D9/423	D412,439 S	8/1999	Cormack	D9/425
D364,563 S	11/1995	Miller et al.	D9/423	D421,901 S	3/2000	Hill	D9/423
D374,774 S	10/1996	Cassel	D3/294	D421,902 S	3/2000	Hill	D9/423
D395,952 S	7/1998	Buczynski et al.	D3/294	D437,686 S	2/2001	Balzar et al.	D9/302
5,785,179 A	7/1998	Buczynski et al.	206/494	D503,336 S *	3/2005	Tucker et al.	D9/425
D409,484 S	5/1999	Tasker	D9/423	D531,894 S *	11/2006	Ramirez et al.	D9/423
				D571,146 S *	6/2008	Sanfilippo et al.	D7/391

* cited by examiner

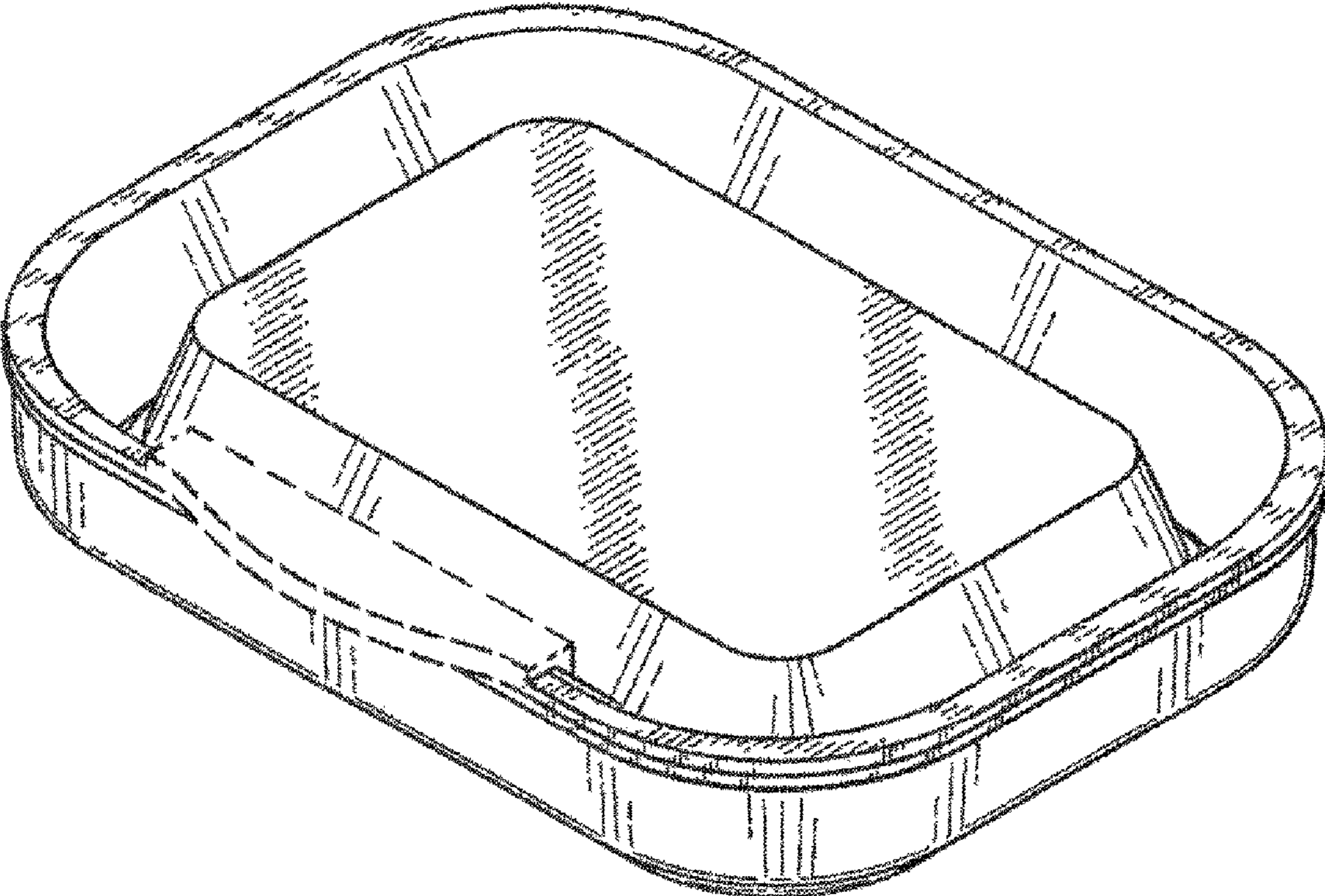


FIG. 1

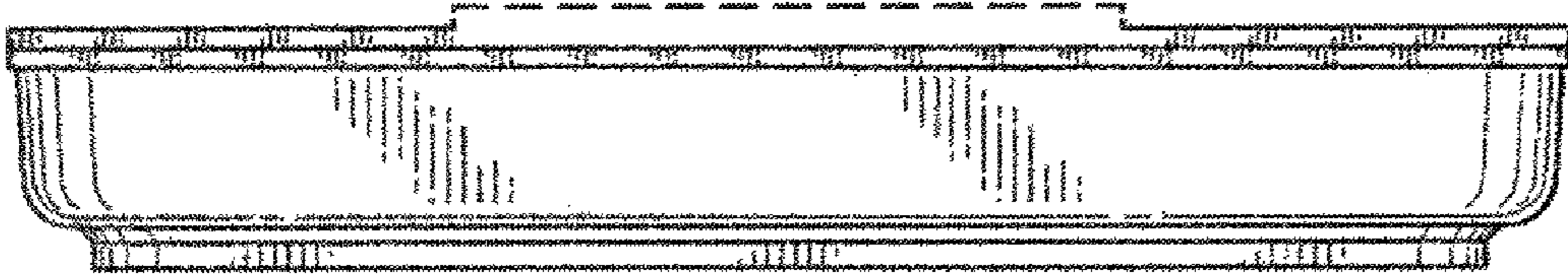


FIG. 2

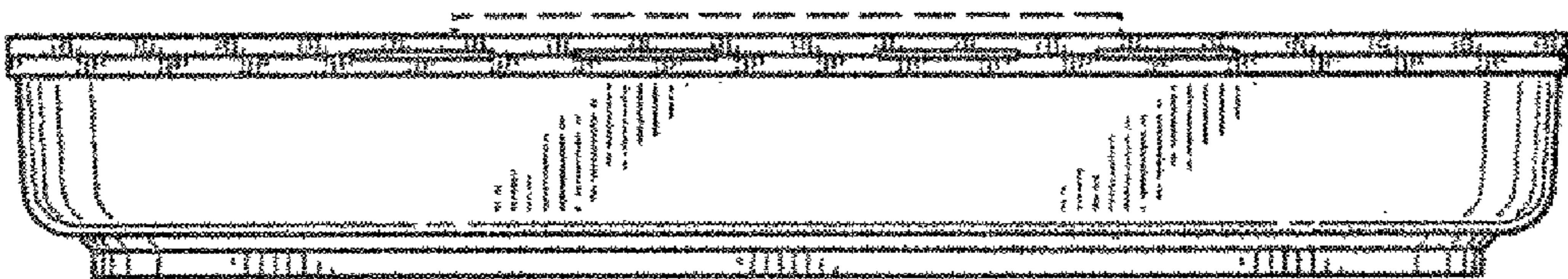


FIG. 3

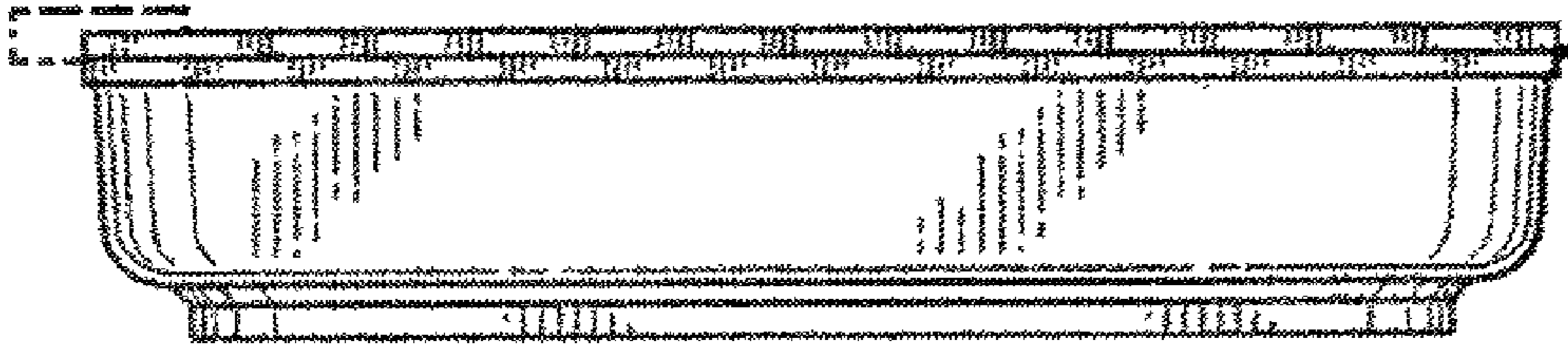


FIG. 4

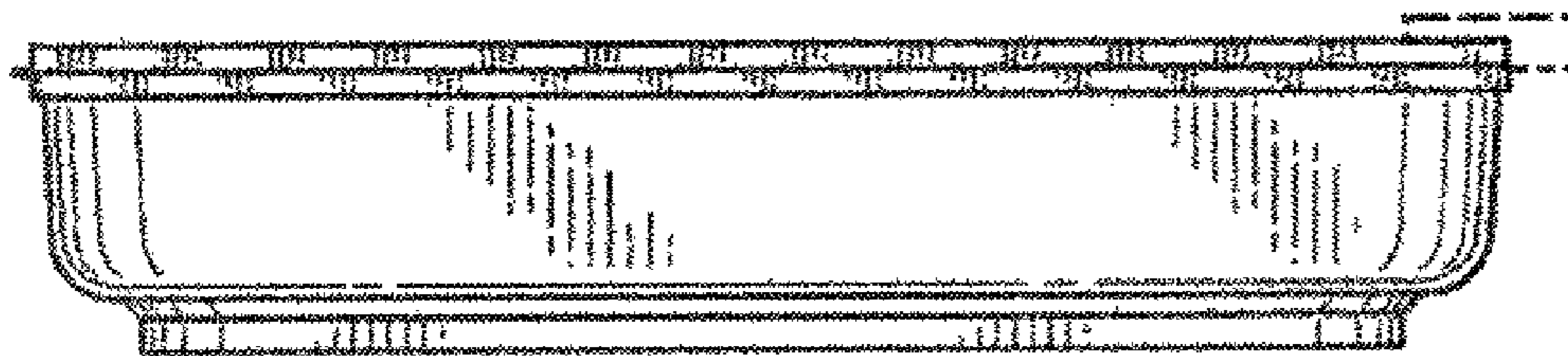


FIG. 5

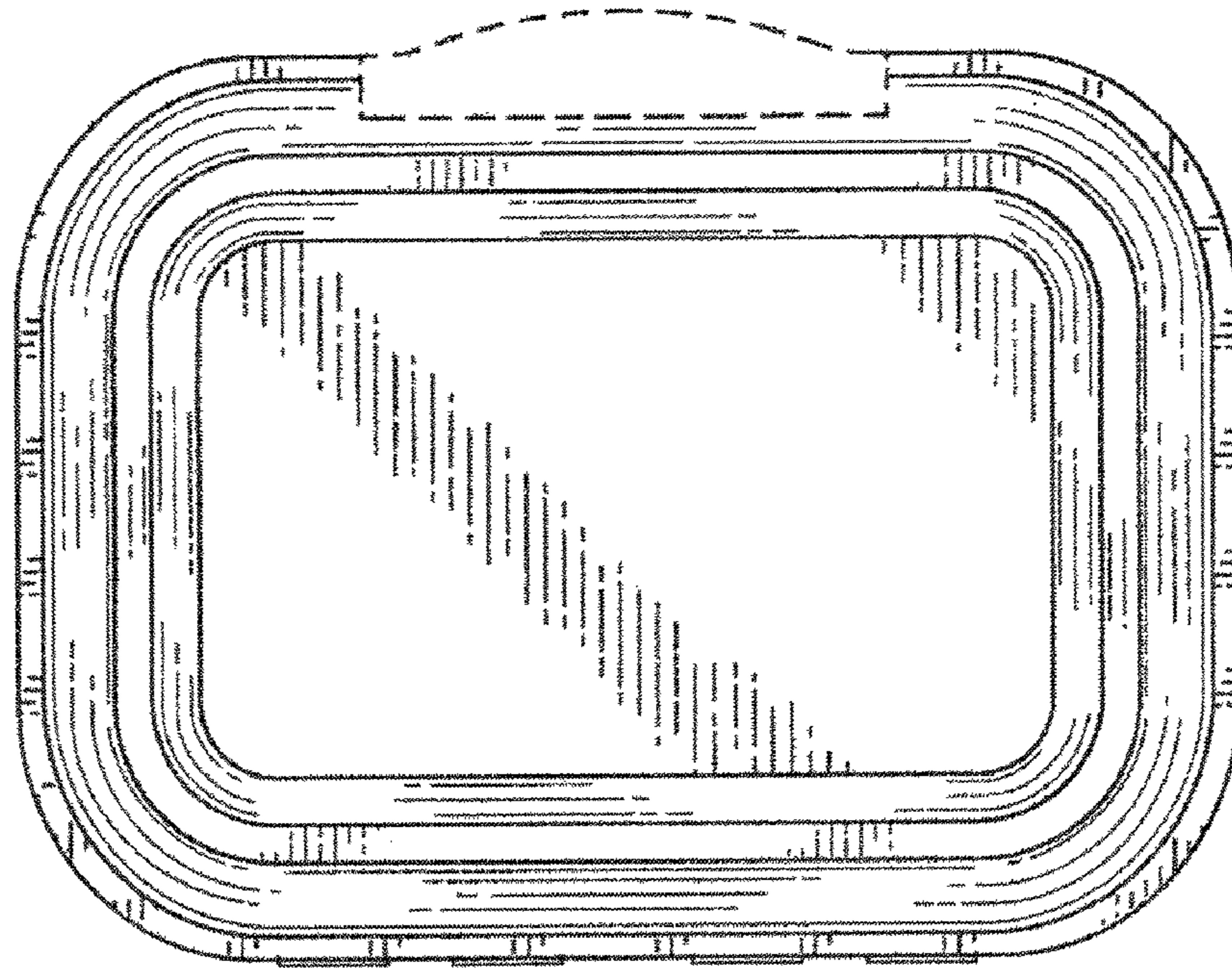


FIG. 6

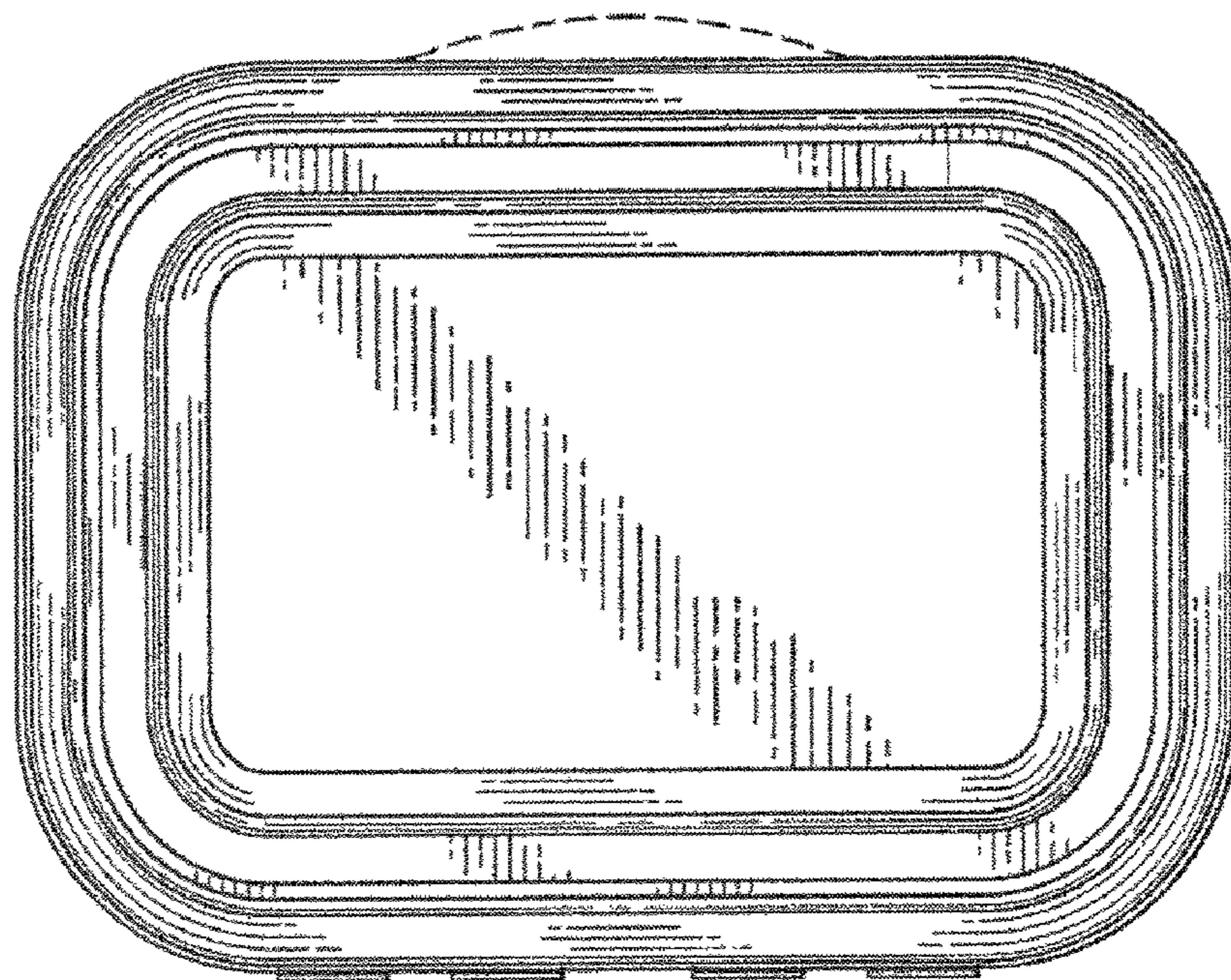


FIG. 7

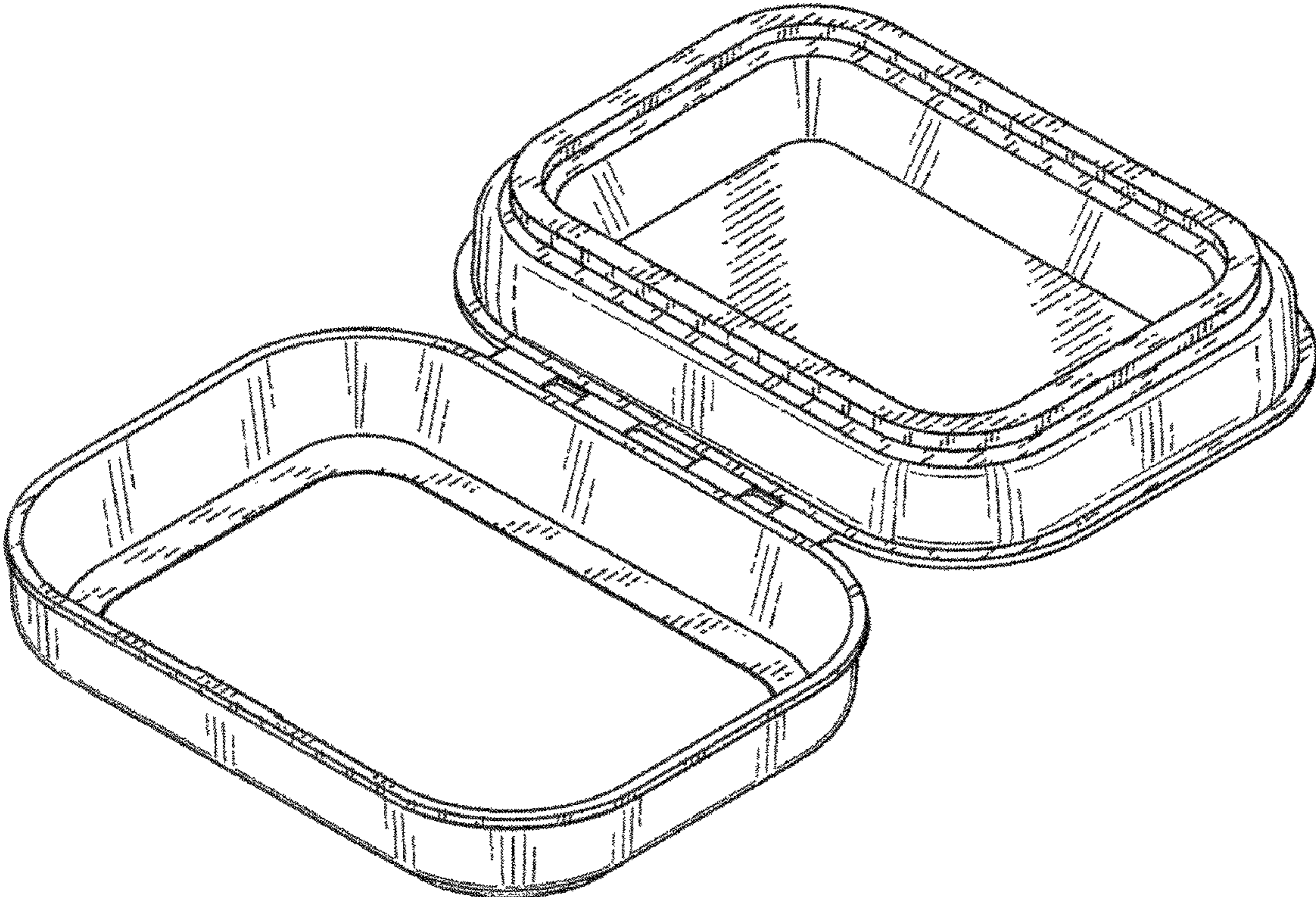


FIG. 8

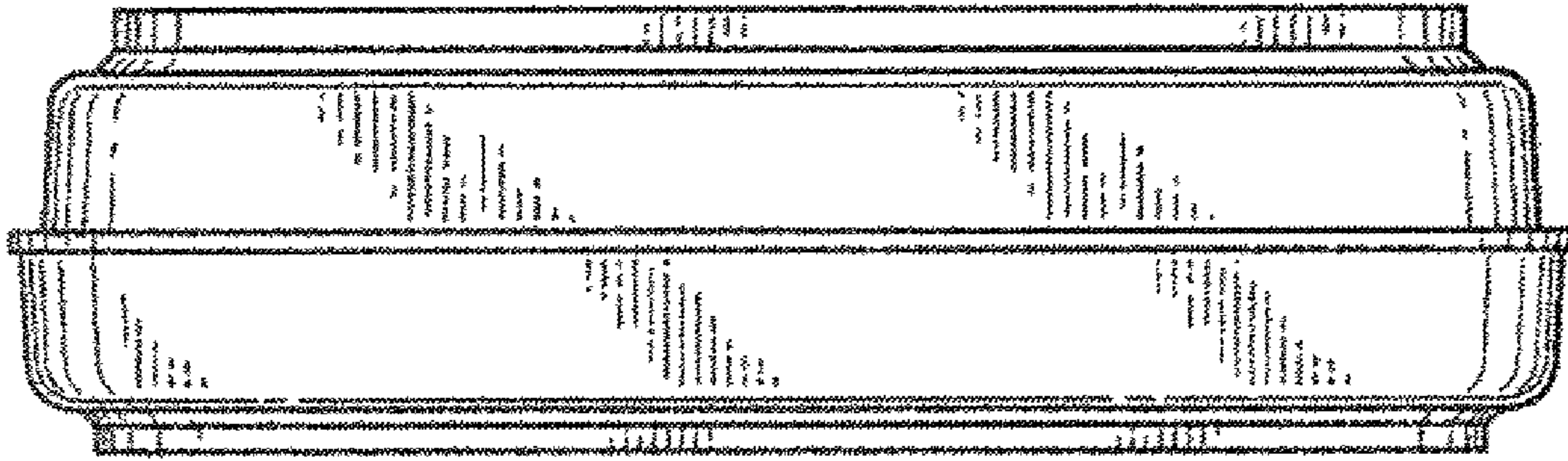


FIG. 9

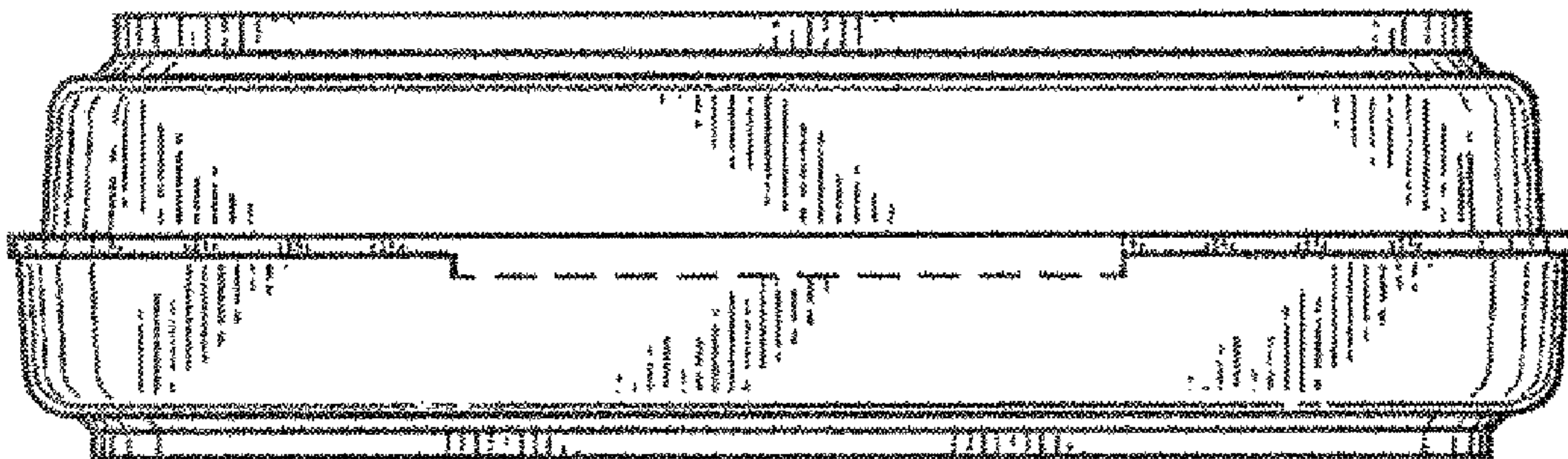


FIG. 10

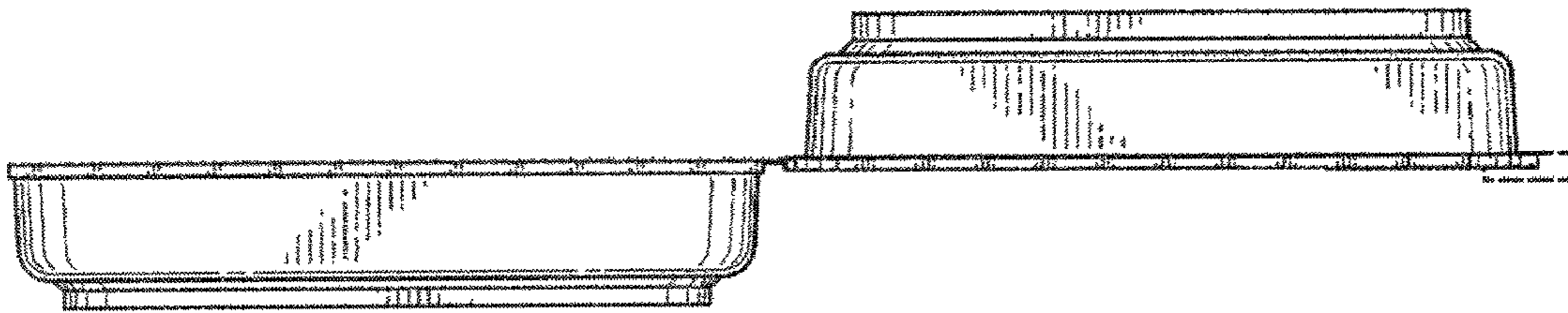


FIG. 11

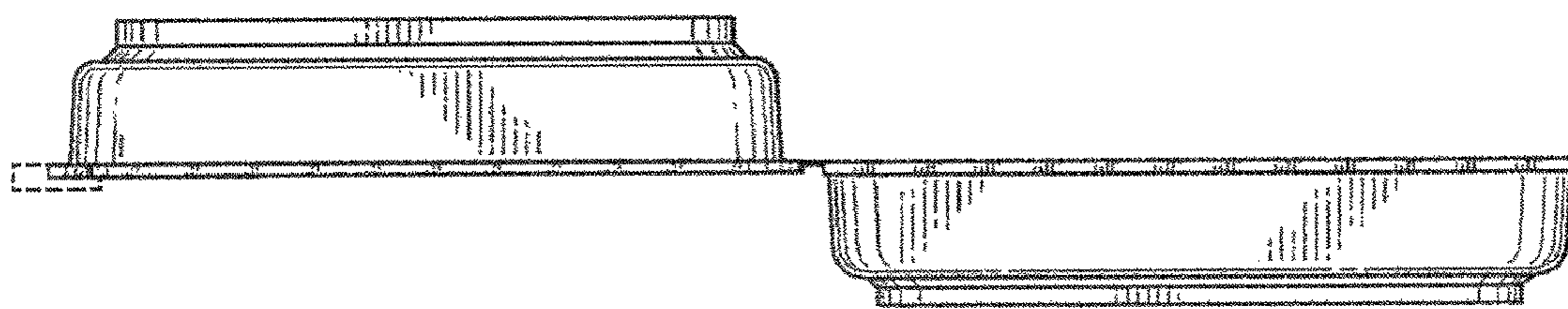


FIG. 12

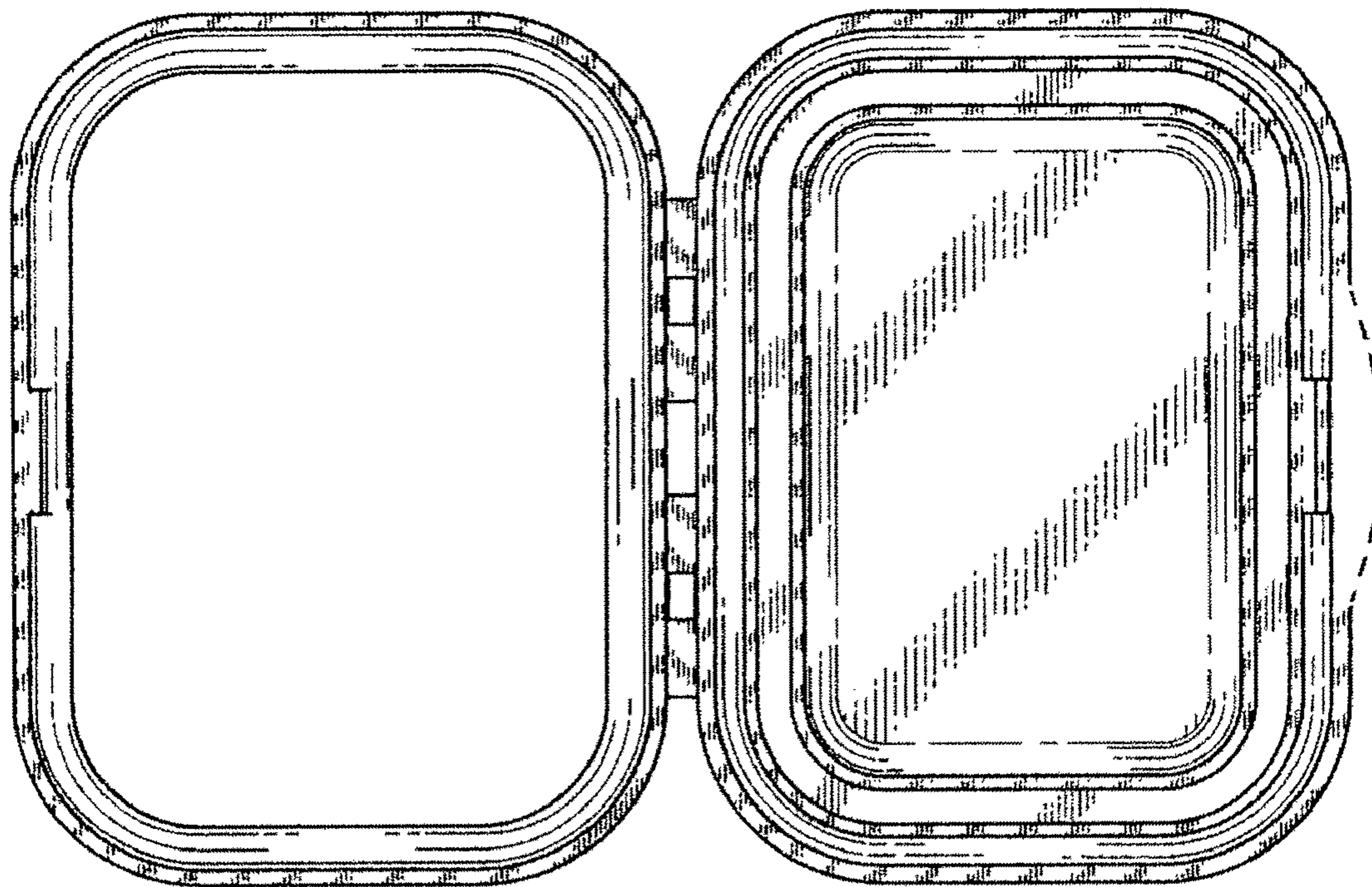


FIG. 13

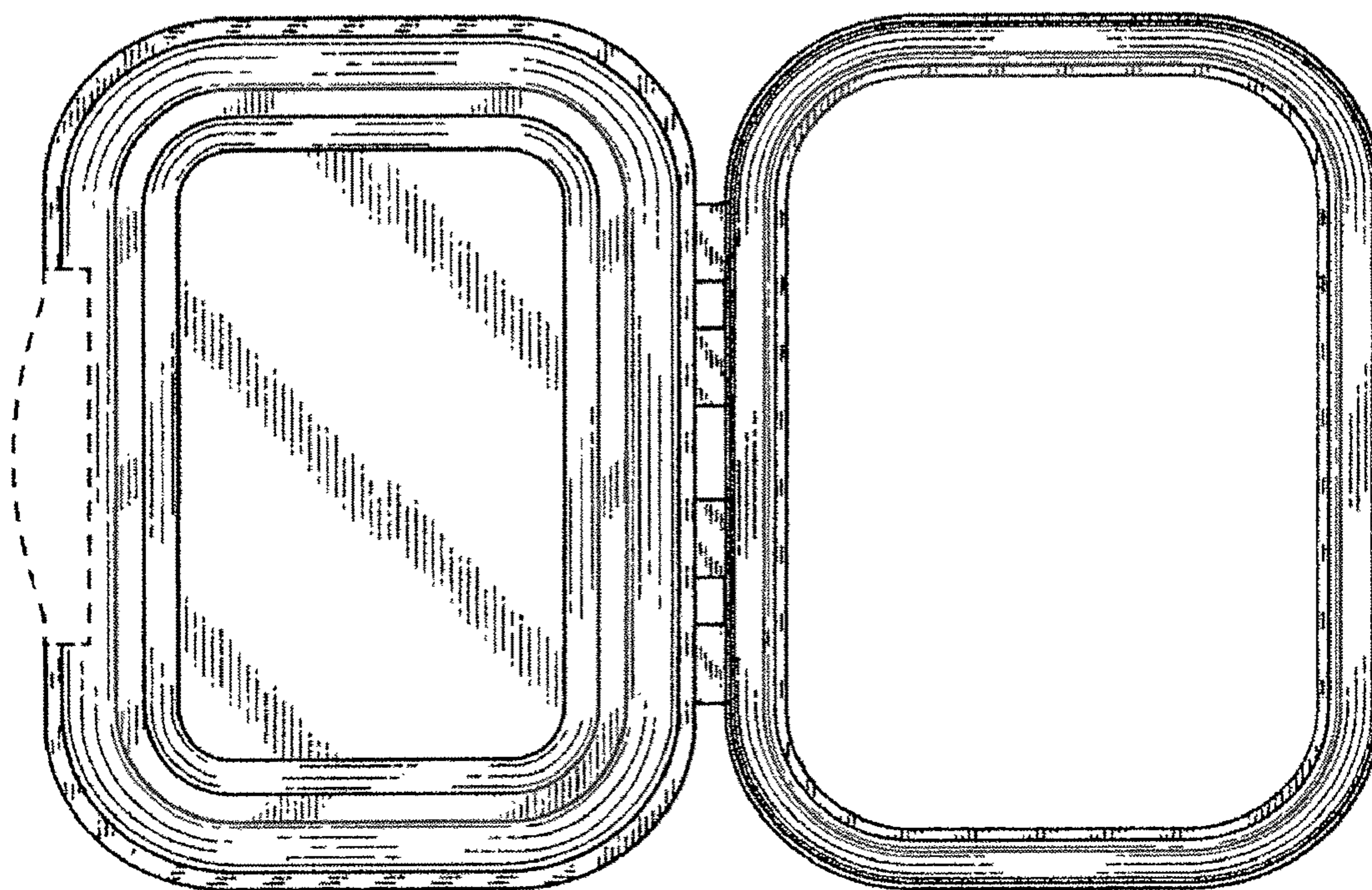


FIG. 14