



US00D591553S

(12) **United States Design Patent**
Garman et al.

(10) **Patent No.:** **US D591,553 S**

(45) **Date of Patent:** **** May 5, 2009**

(54) **SKILLET**

(75) Inventors: **Michael Garman**, Midlothian, VA (US);
Dorian Archer, Richmond, VA (US);
Marta Phillips, Midlothian, VA (US)

(73) Assignee: **Hamilton Beach Brands, Inc.**, Glen
Allen, VA (US)

(**) Term: **14 Years**

(21) Appl. No.: **29/298,758**

(22) Filed: **Dec. 12, 2007**

(51) **LOC (9) Cl.** **07-02**

(52) **U.S. Cl.** **D7/363**

(58) **Field of Classification Search** D7/362-367,
D7/402, 407, 338; 99/422, 425, 445, 448,
99/450, 443 R, 423, 403; 219/452, 11, 386,
219/468.1, 533, 429, 443.1, 450.1, 520
See application file for complete search history.

(56) **References Cited**

U.S. PATENT DOCUMENTS

776,917 A	12/1904	Kingsbury
1,160,934 A	11/1915	Meyer
1,974,796 A	9/1934	Davis
2,262,302 A	11/1941	Sinclair
4,310,418 A	1/1982	Busbey
D275,643 S	9/1984	Petterson
D321,625 S	11/1991	Dobson et al.
5,467,696 A	11/1995	Everhart
D366,592 S	1/1996	Cesaroni et al.
5,967,024 A	10/1999	DeMars
6,029,843 A	2/2000	Kroscher et al.

D436,796 S *	1/2001	Kalina et al.	D7/363
D437,182 S	2/2001	Choi	
D437,183 S *	2/2001	Wong et al.	D7/362
D444,342 S	7/2001	Kruepke et al.	
D444,667 S *	7/2001	Wong et al.	D7/362
D451,335 S	12/2001	Rossmann	
D505,045 S *	5/2005	Assmann	D7/367
6,990,893 B2	1/2006	Chang	
D515,350 S	2/2006	Anderson	
D542,592 S *	5/2007	Lubowicki	D7/362
D548,002 S *	8/2007	De'Longhi	D7/362
2005/0263011 A1	12/2005	Golding	

* cited by examiner

Primary Examiner—Ruth McInroy

(74) *Attorney, Agent, or Firm*—Panitch Schwarze Belisario &
Nadel LLP

(57) **CLAIM**

The ornamental design for a skillet, as shown and described.

DESCRIPTION

FIG. 1 is a top, front and right side perspective view of a skillet showing our new design;

FIG. 2 is a front elevation view thereof;

FIG. 3 is a rear elevation view thereof;

FIG. 4 is a left side elevation view thereof;

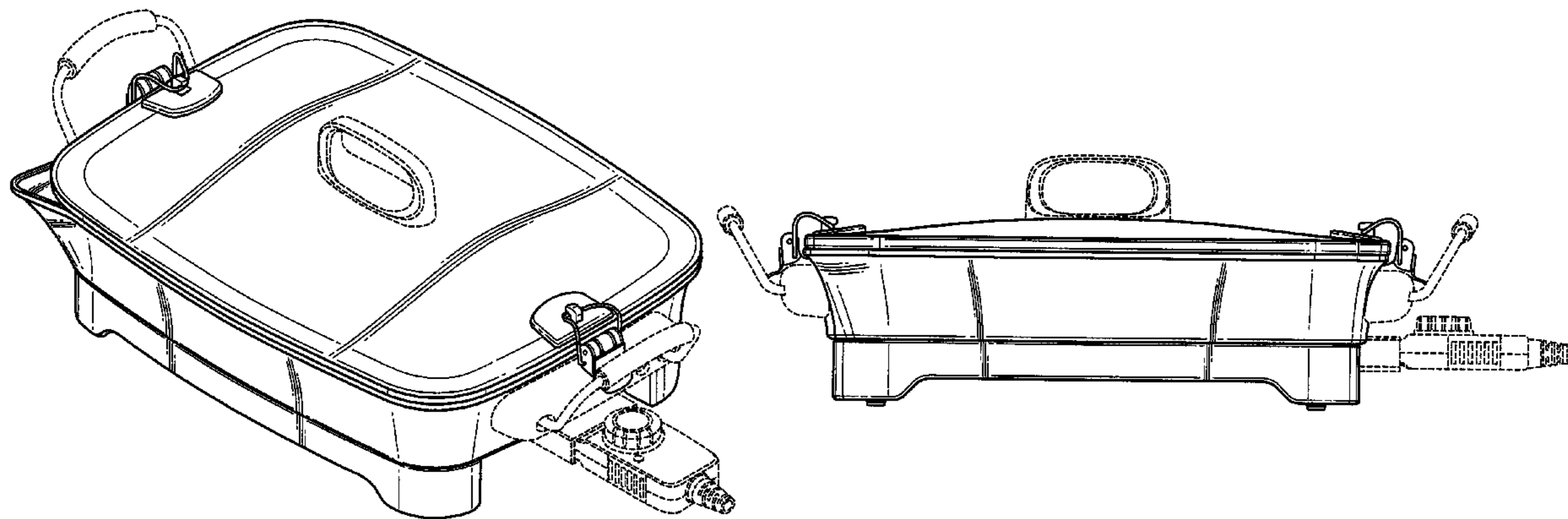
FIG. 5 is a right side elevation view thereof;

FIG. 6 is a top plan view thereof; and,

FIG. 7 is a bottom plan view thereof.

The broken lines in the figures are for illustrative purposes only and form no part of the claimed design.

1 Claim, 5 Drawing Sheets



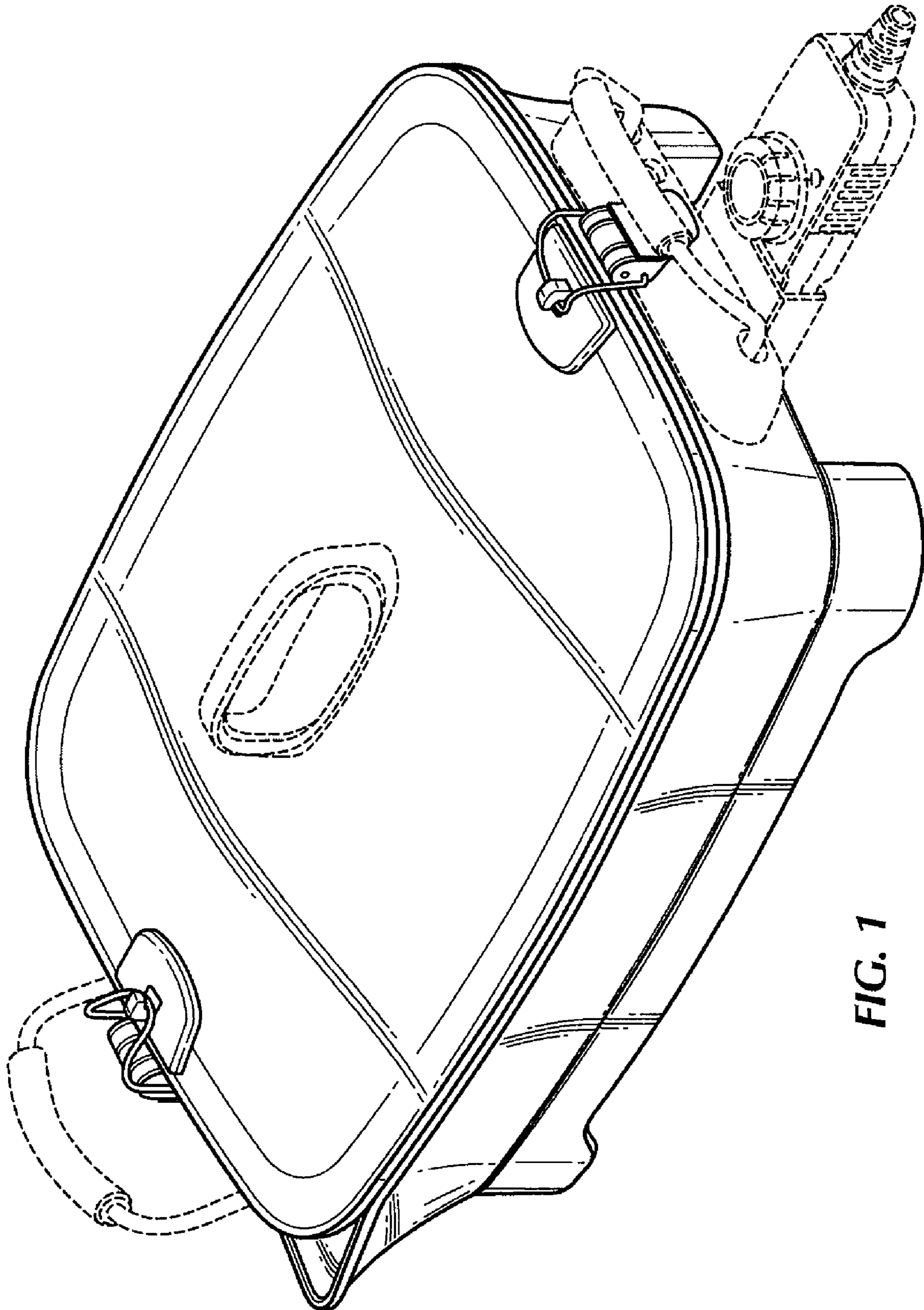


FIG. 1

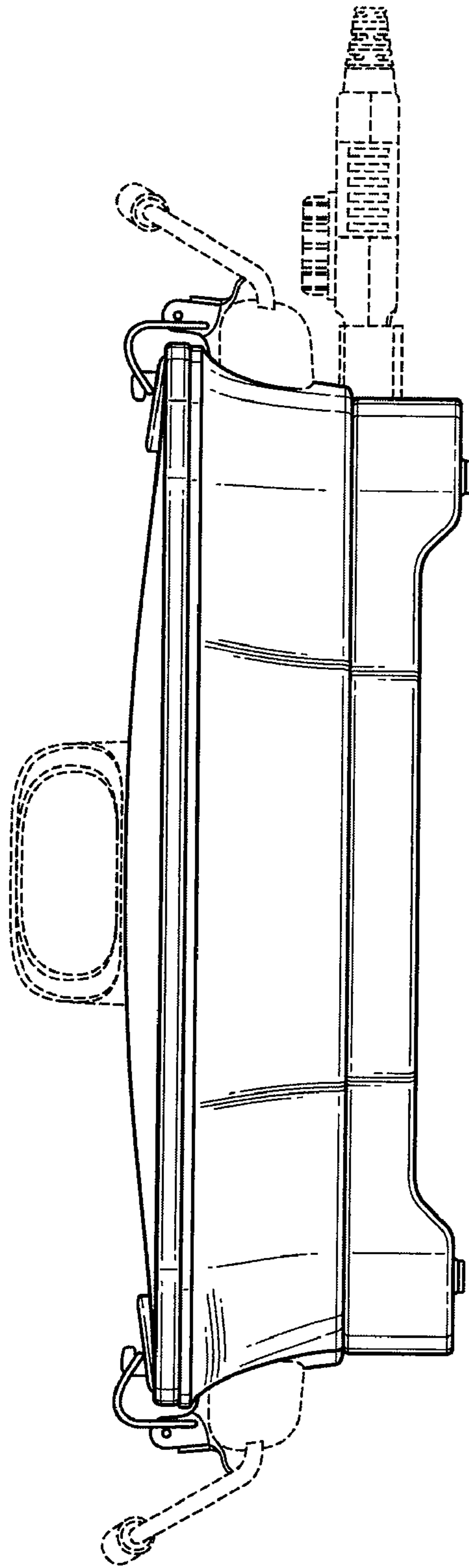


FIG. 2

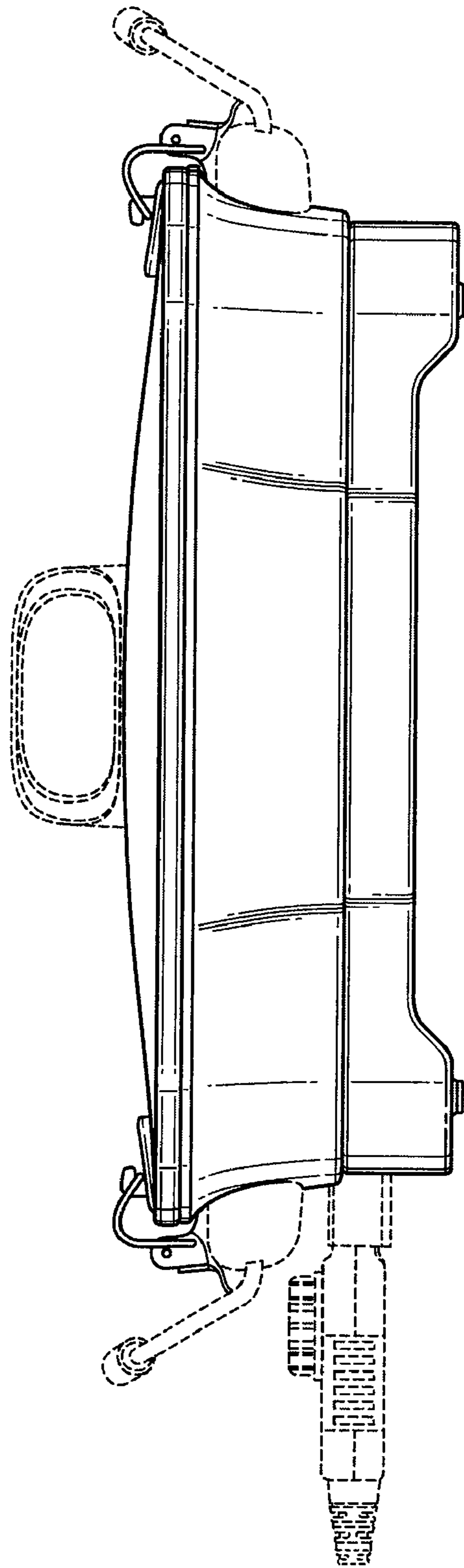


FIG. 3

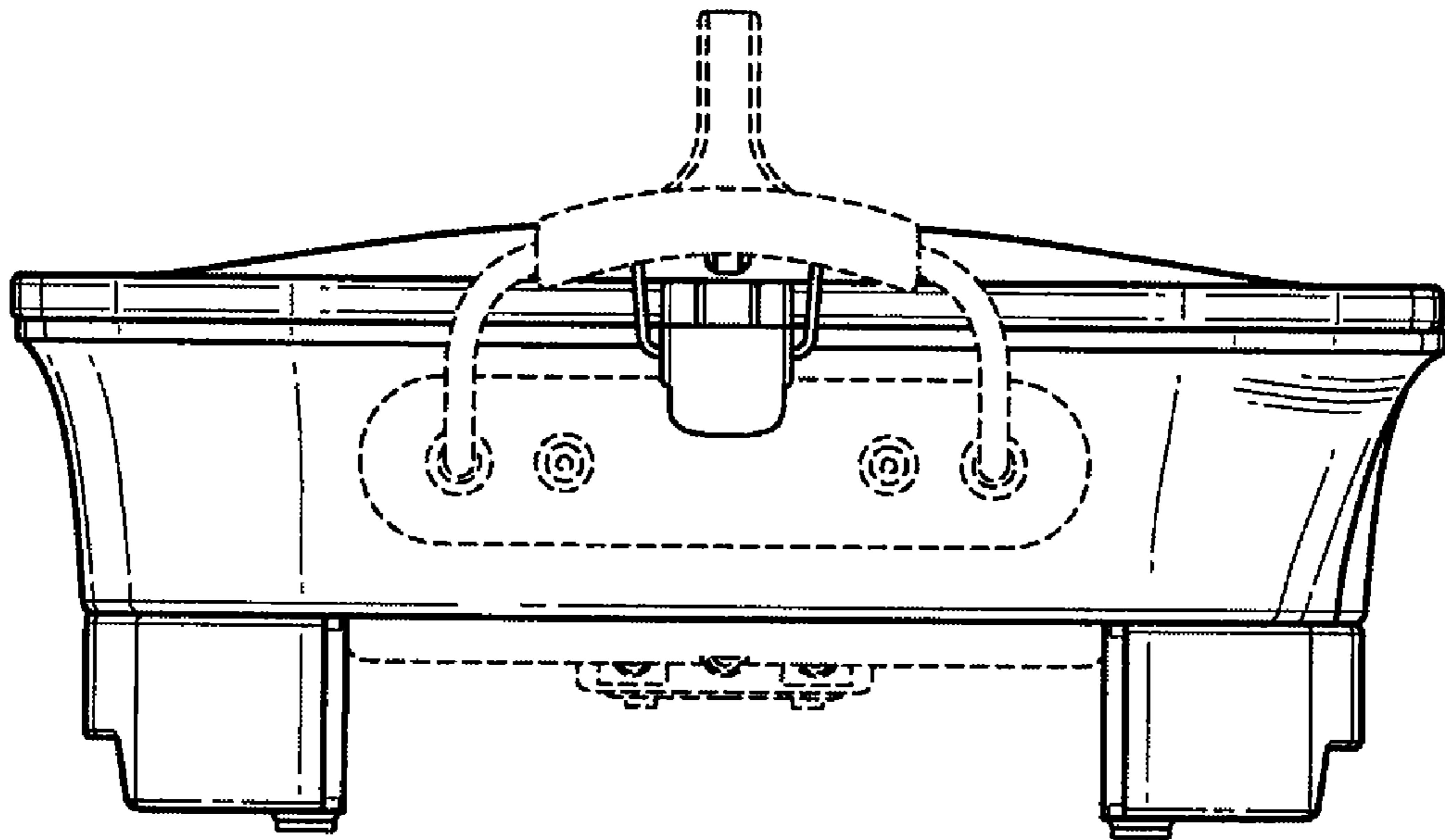


FIG. 4

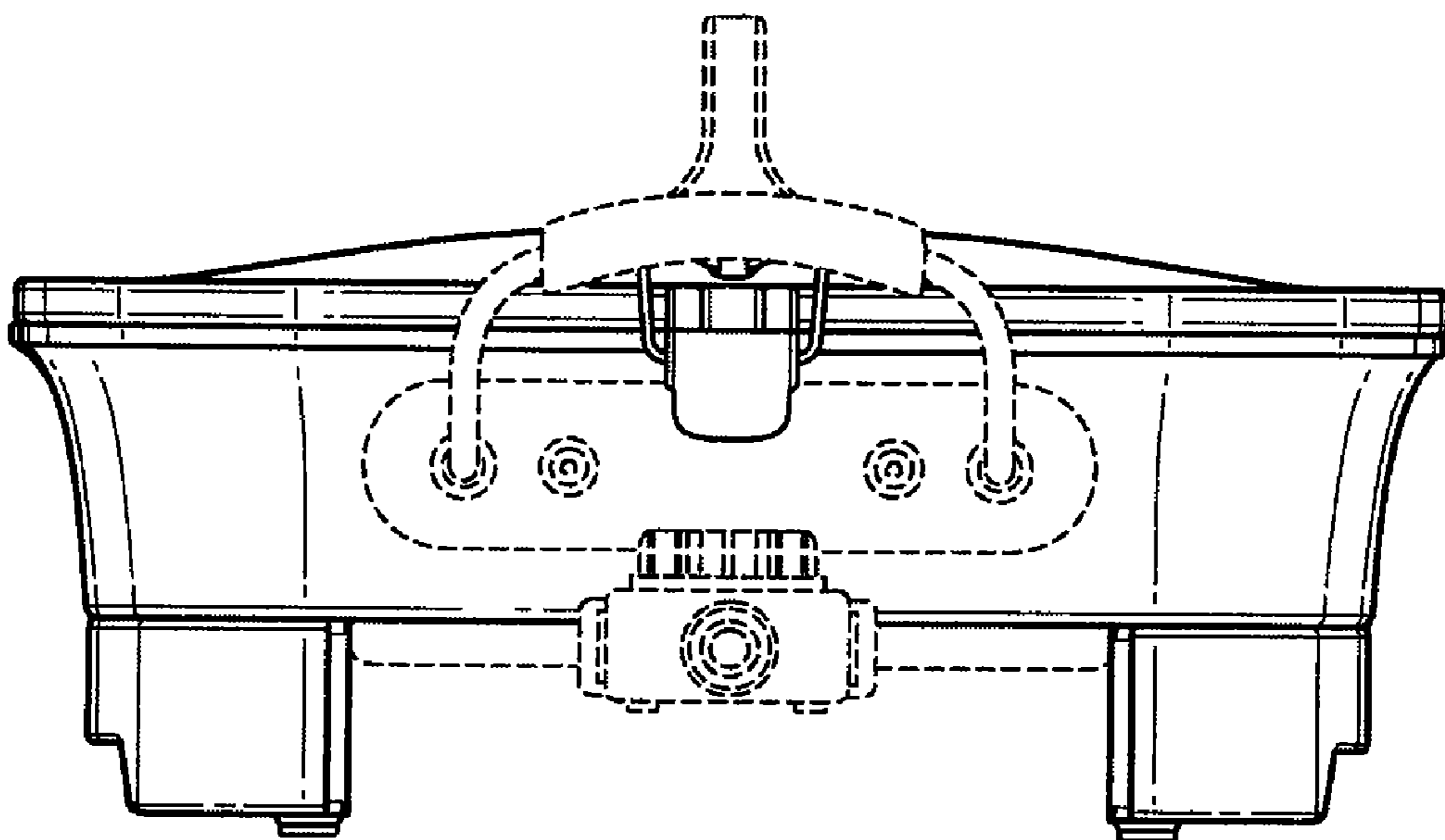


FIG. 5

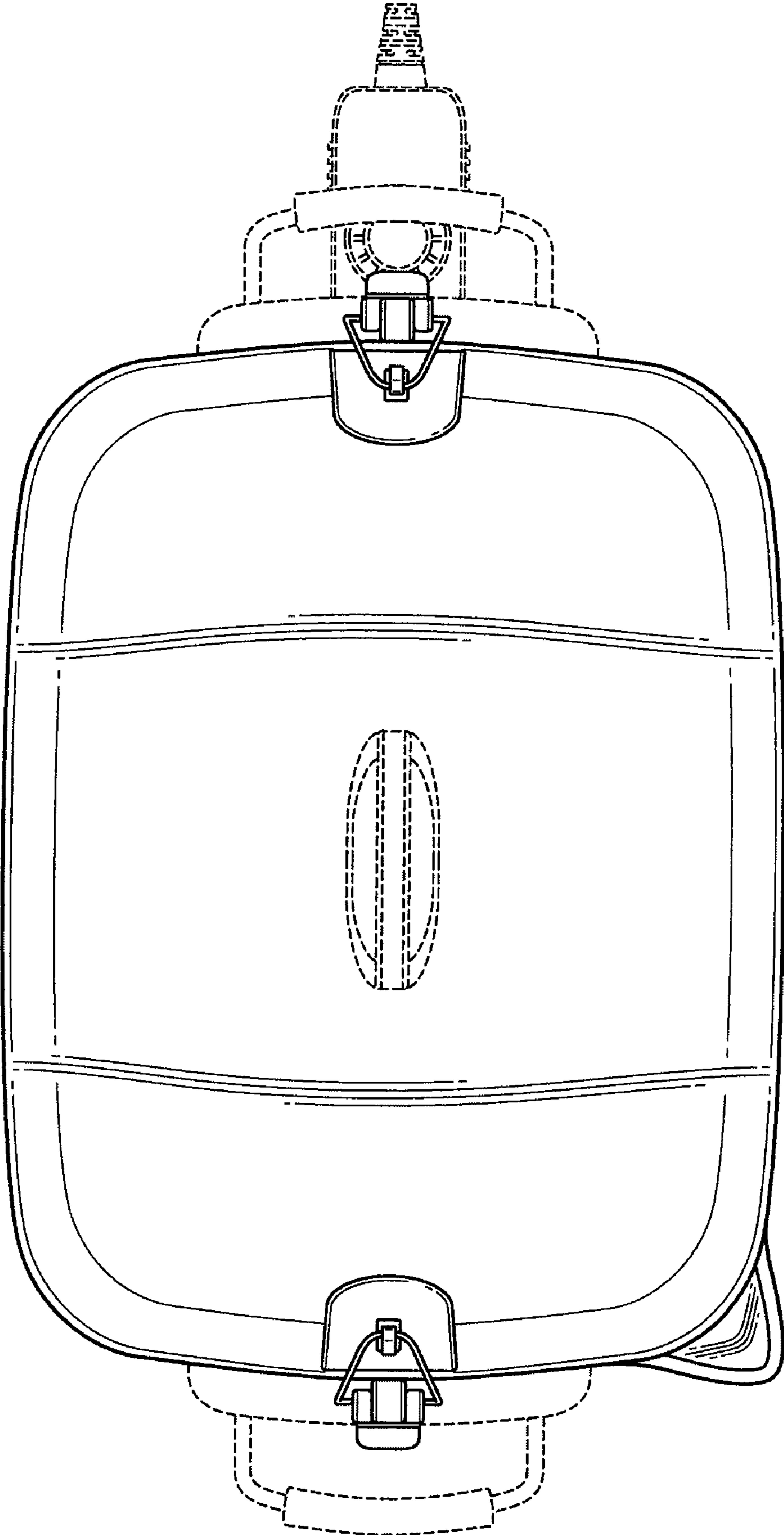


FIG. 6

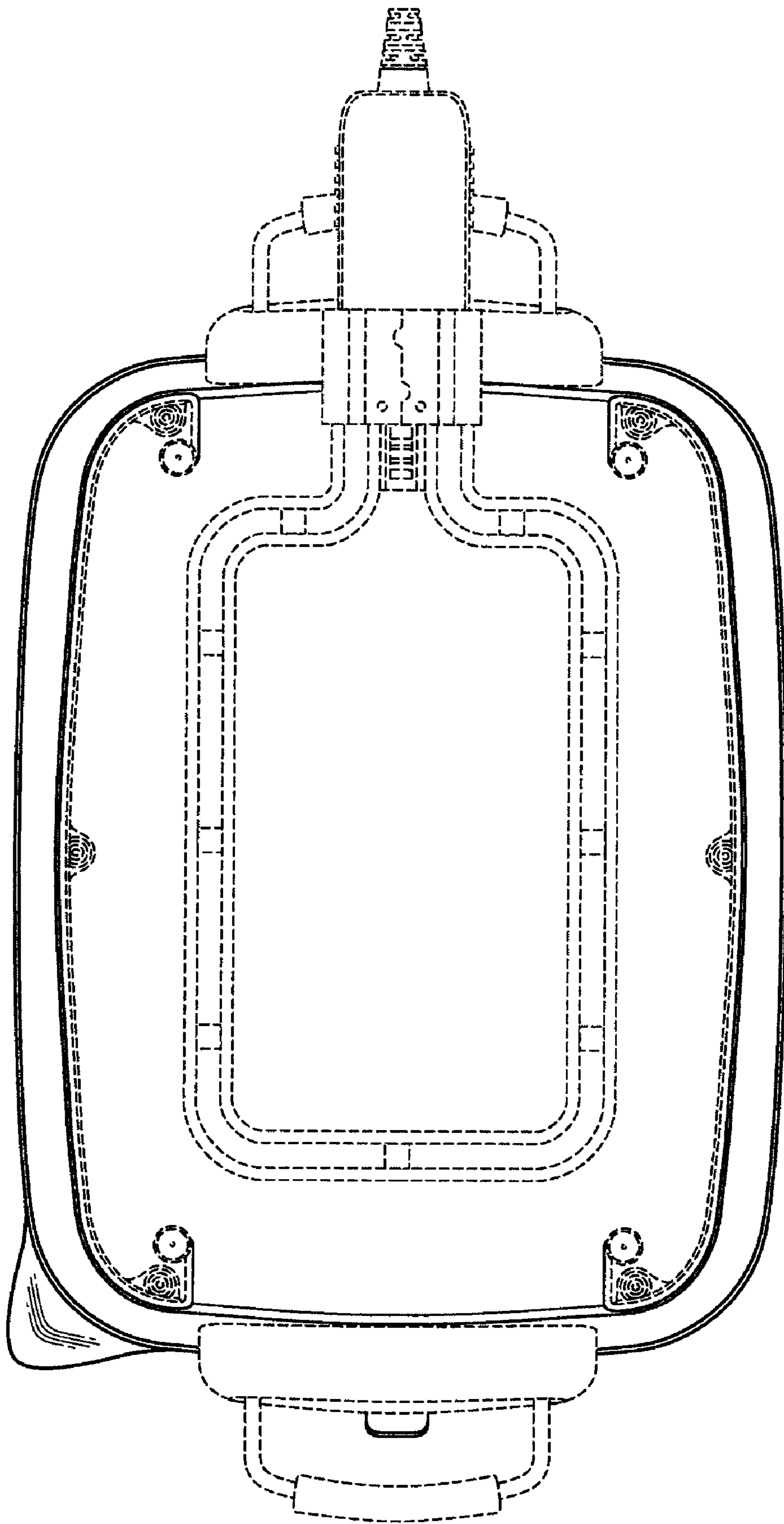


FIG. 7