

US00D591551S

(12) **United States Design Patent**  
**Boisvert**

(10) **Patent No.:** **US D591,551 S**

(45) **Date of Patent:** **\*\* May 5, 2009**

(54) **WOODCRAFTED SOUP KIOSK**

D531,446 S \* 11/2006 Few, Sr. .... D7/339

(76) Inventor: **Ellen Boisvert**, 202 Maple St., Danvers,  
MA (US) 01923

\* cited by examiner

*Primary Examiner*—Catherine R Oliver

(74) *Attorney, Agent, or Firm*—Daniel N. Smith

(\*\*) Term: **14 Years**

(21) Appl. No.: **29/317,580**

(57) **CLAIM**

(22) Filed: **May 2, 2008**

The ornamental design for a woodcrafted soup kiosk, as shown and described.

(51) **LOC (9) Cl.** ..... **07-02**

(52) **U.S. Cl.** ..... **D7/339**

(58) **Field of Classification Search** ..... D7/339,  
D7/338, 346, 350.1, 368; 219/440–441;  
126/21 R, 299 R, 331; D21/524–525; D25/19;  
D34/12–14

See application file for complete search history.

**DESCRIPTION**

FIG. 1 is an perspective view of the woodcrafted soup kiosk which embodies my design;

FIG. 2 is another perspective view of the woodcrafted soup kiosk; revealing hidden adjustable temperature controls for each soup warmer under hinged panel;

FIG. 3 is a front view of the woodcrafted soup kiosk;

FIG. 4 is a rear view of the woodcrafted soup kiosk;

FIG. 5 is a side view of the woodcrafted soup kiosk;

FIG. 6 is another side view of the woodcrafted soup kiosk;

FIG. 7 is a top view of the woodcrafted soup kiosk; and,

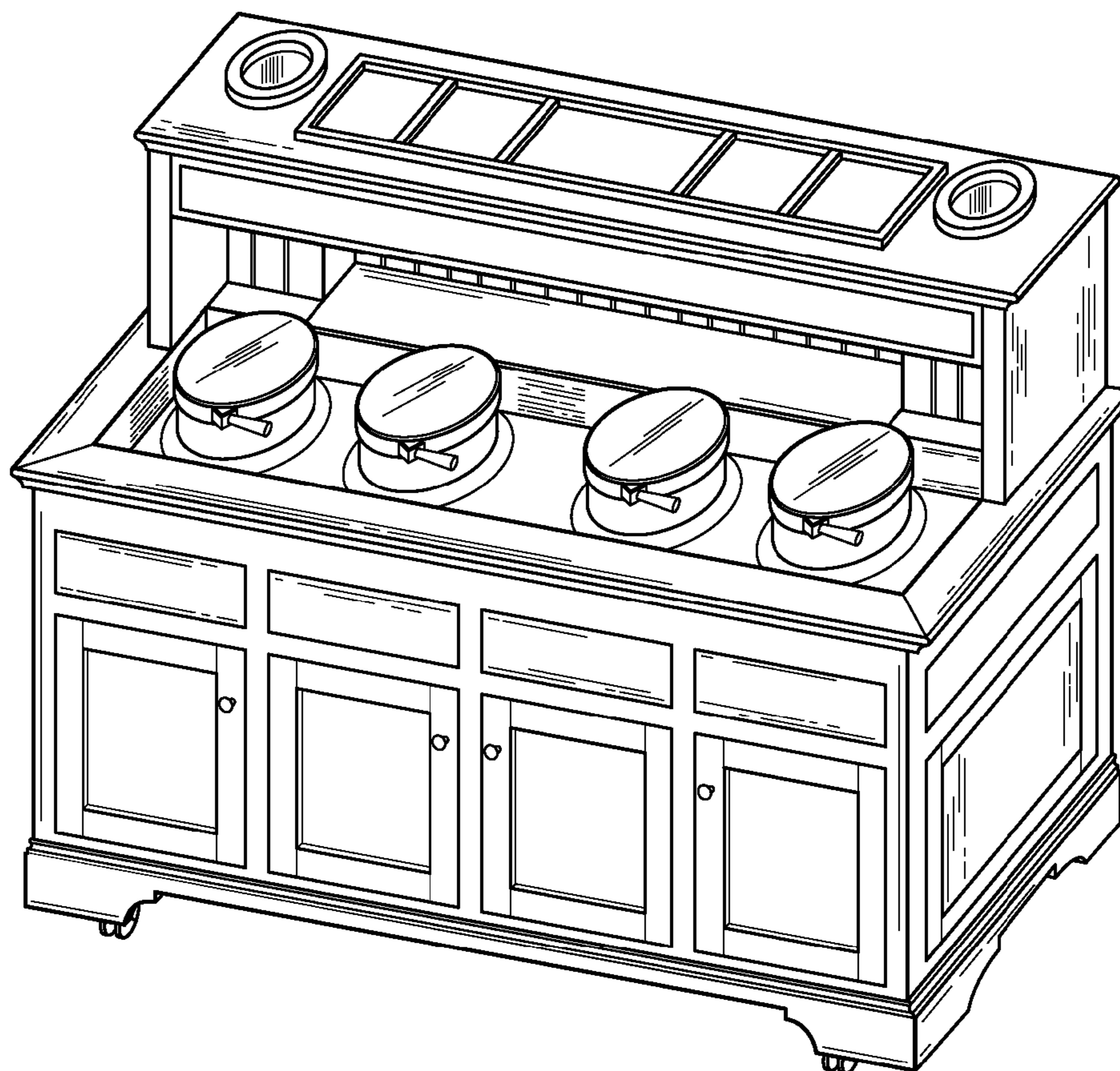
FIG. 8 is a bottom view of the woodcrafted soup kiosk.

(56) **References Cited**

**U.S. PATENT DOCUMENTS**

D171,629 S *	3/1954	Williams et al.	.....	D34/14
D188,154 S *	6/1960	Frick	.....	D34/14
D287,795 S *	1/1987	Streepy	.....	D7/339
D351,966 S *	11/1994	King	.....	D7/339
D480,260 S *	10/2003	Domi et al.	.....	D7/339
D488,666 S *	4/2004	Beckley et al.	.....	D7/339

**1 Claim, 4 Drawing Sheets**



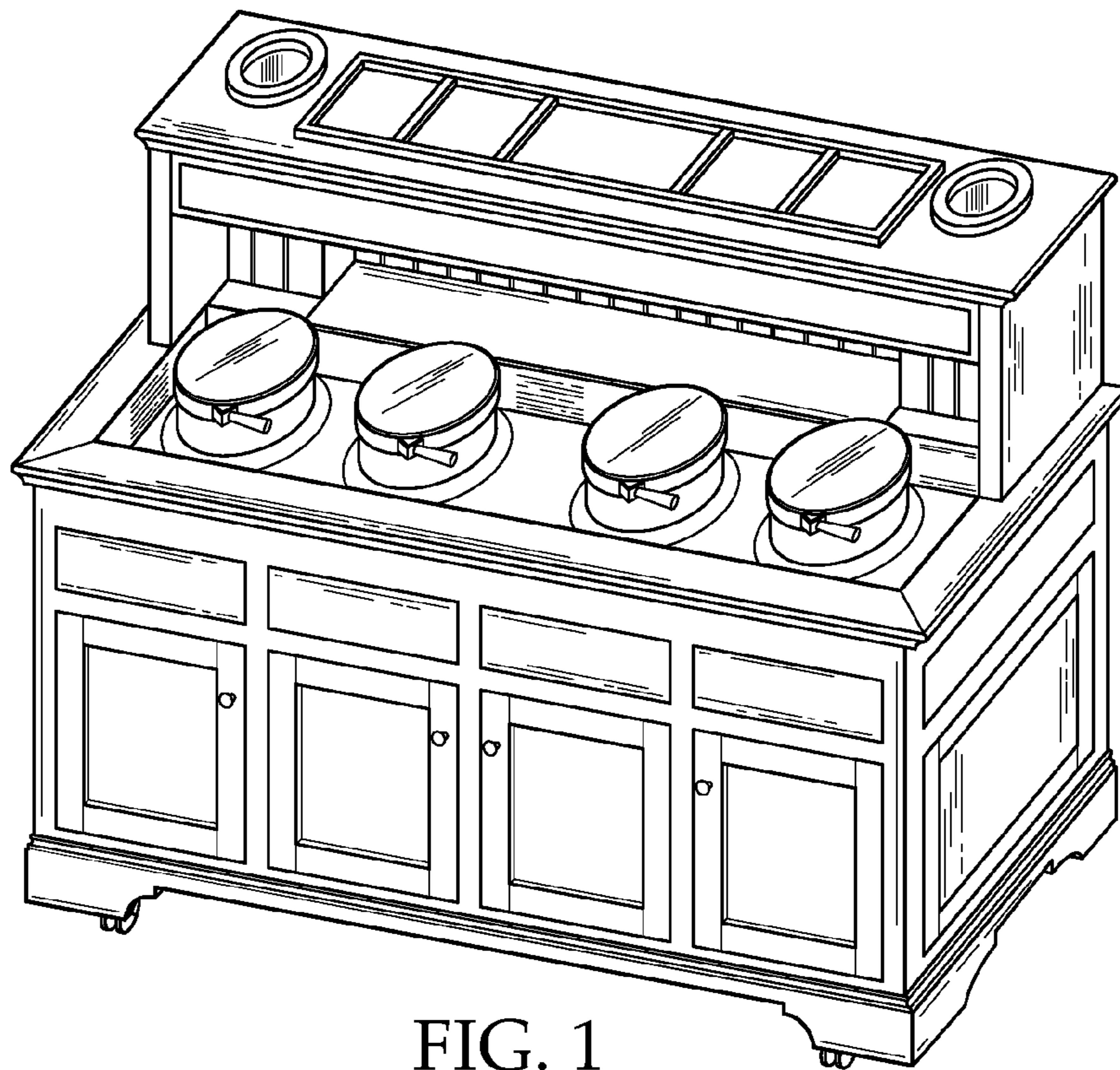


FIG. 1

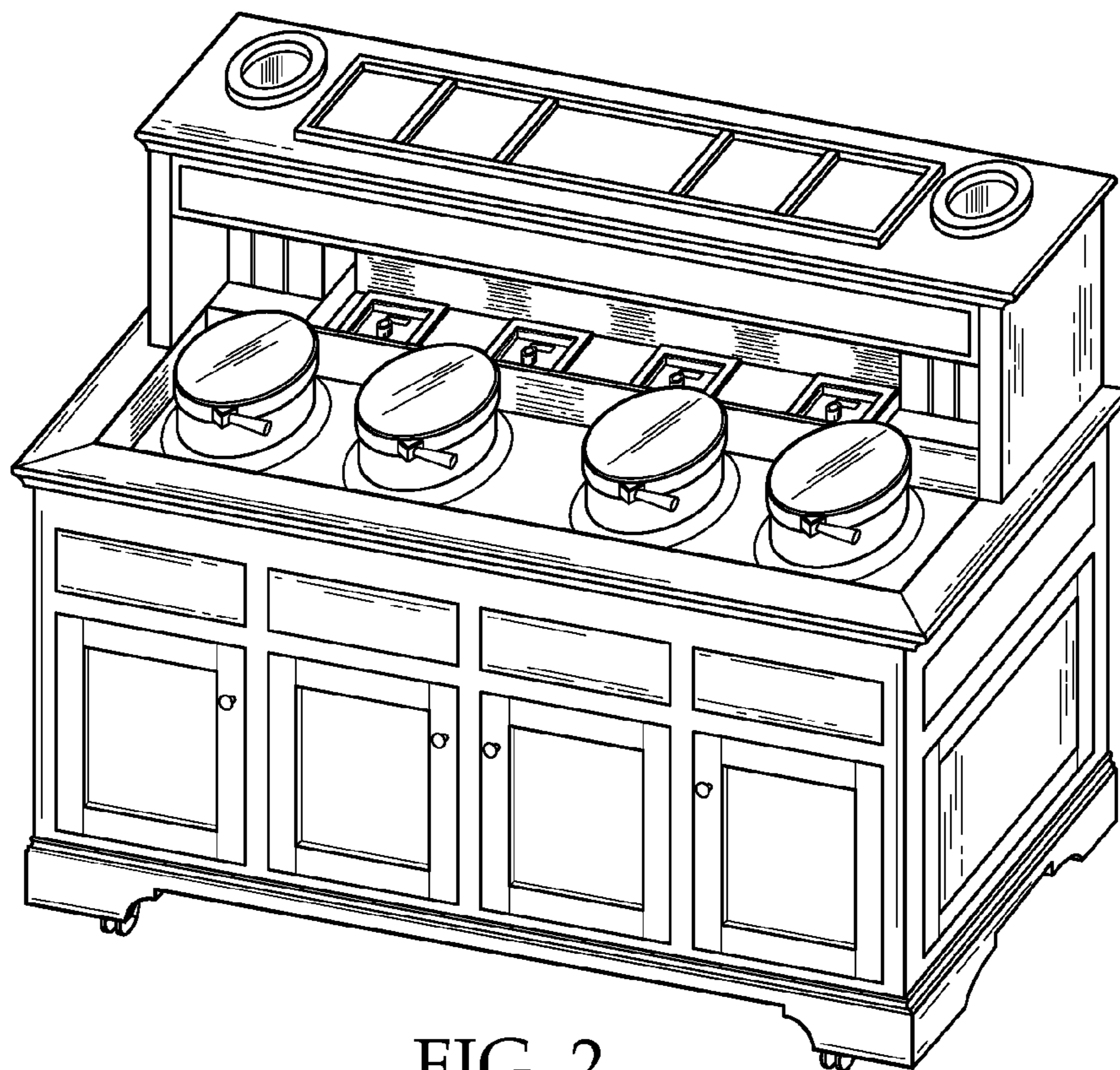


FIG. 2

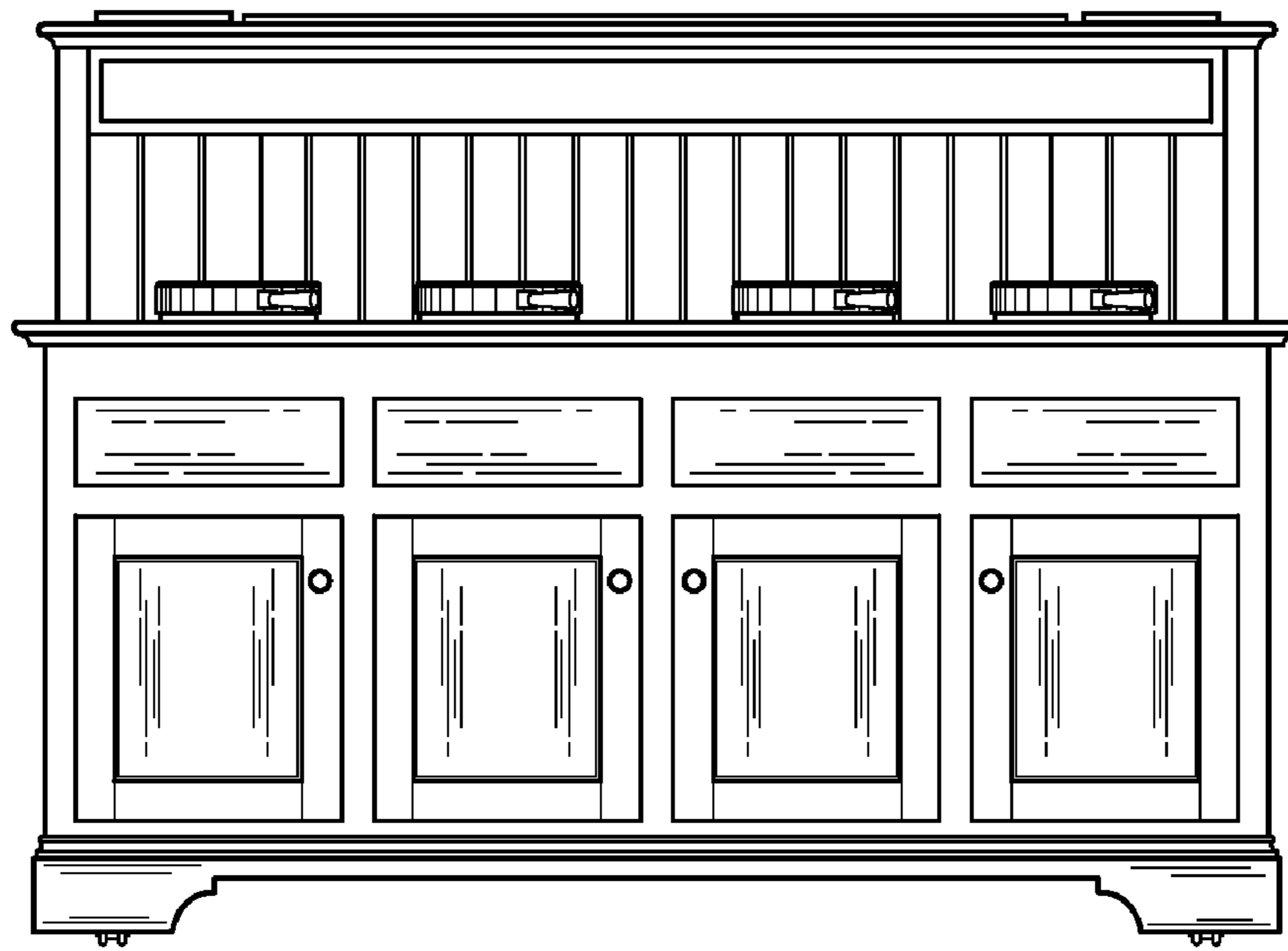


FIG. 3

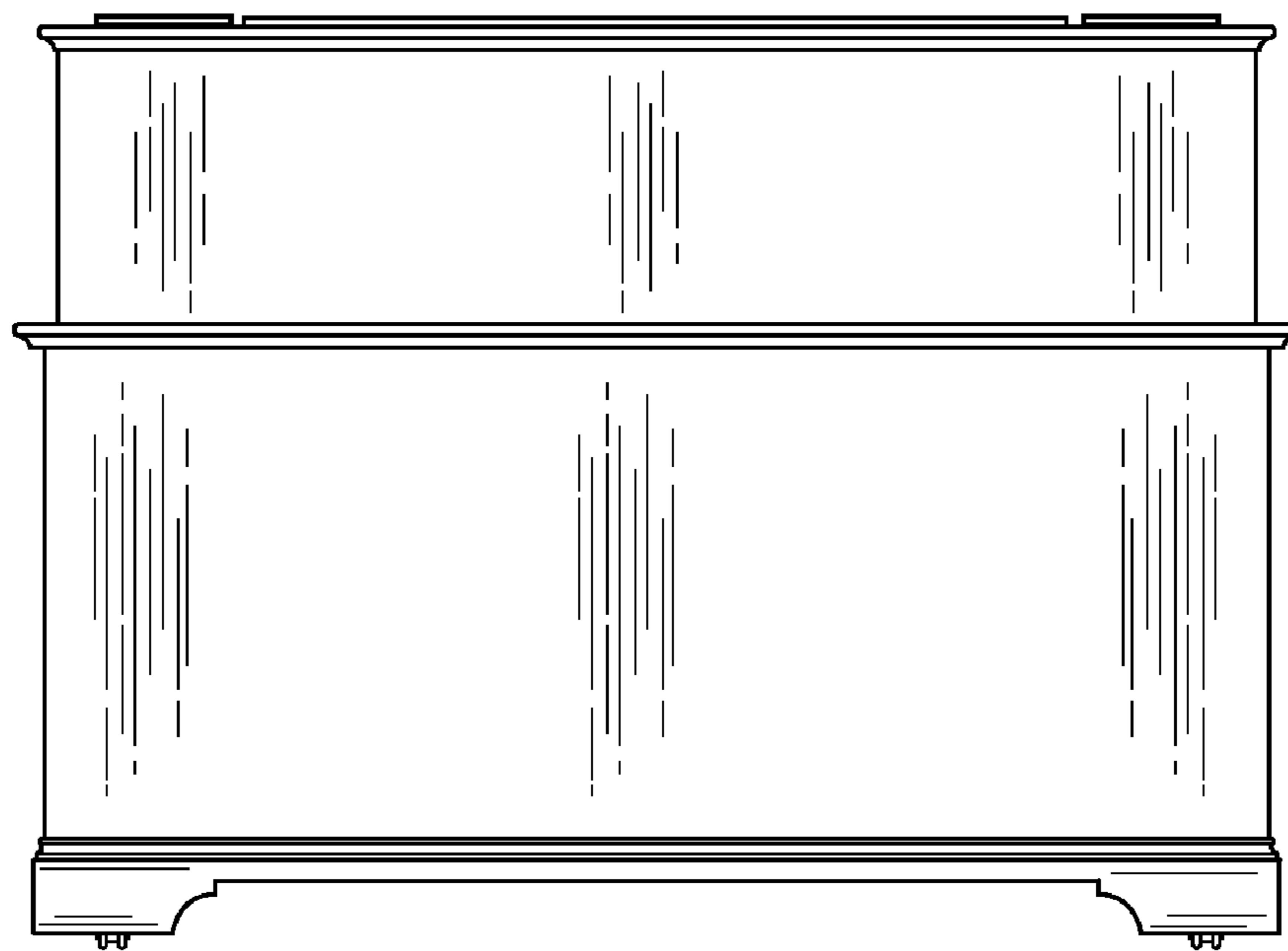


FIG. 4

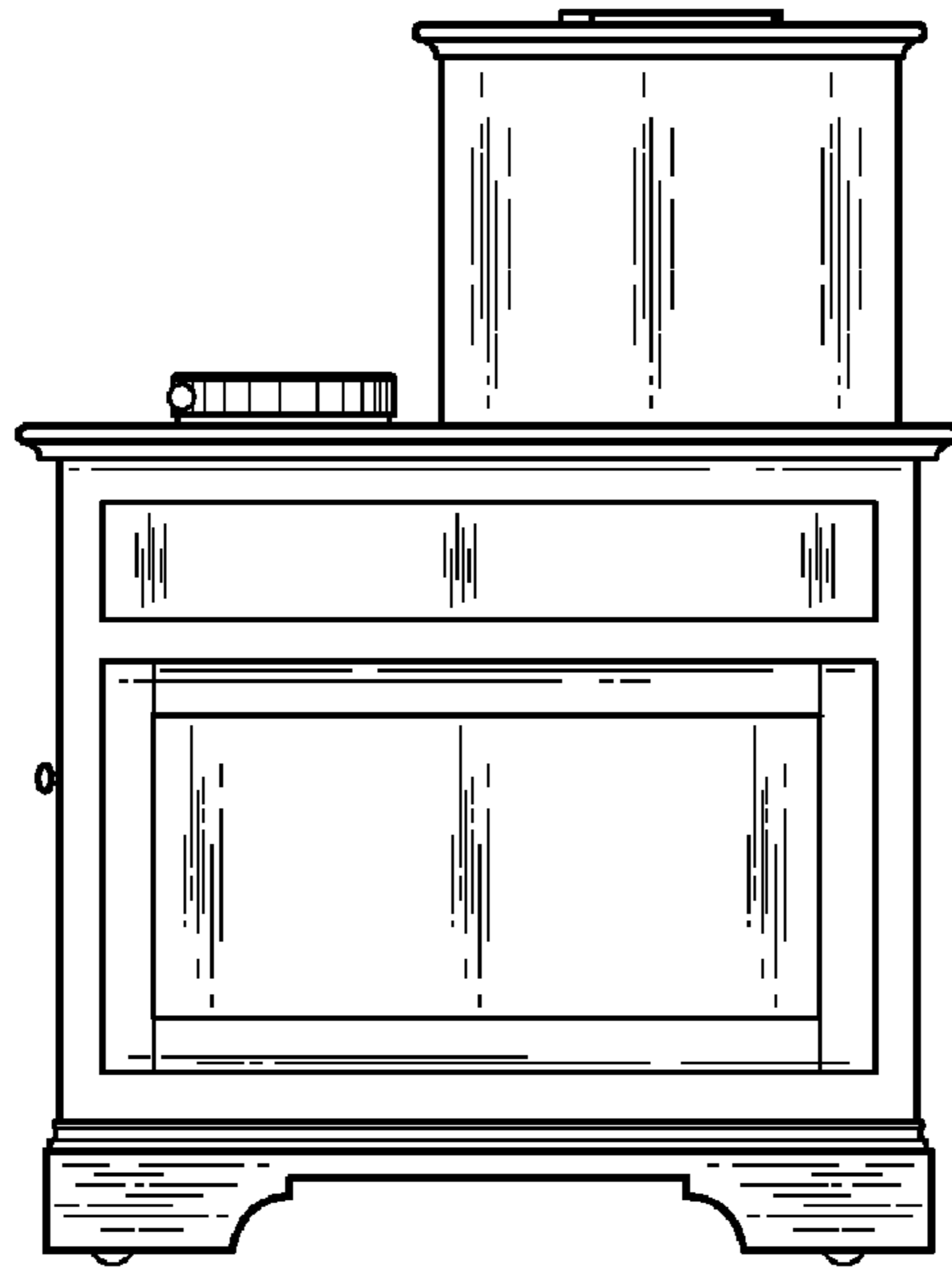


FIG. 5

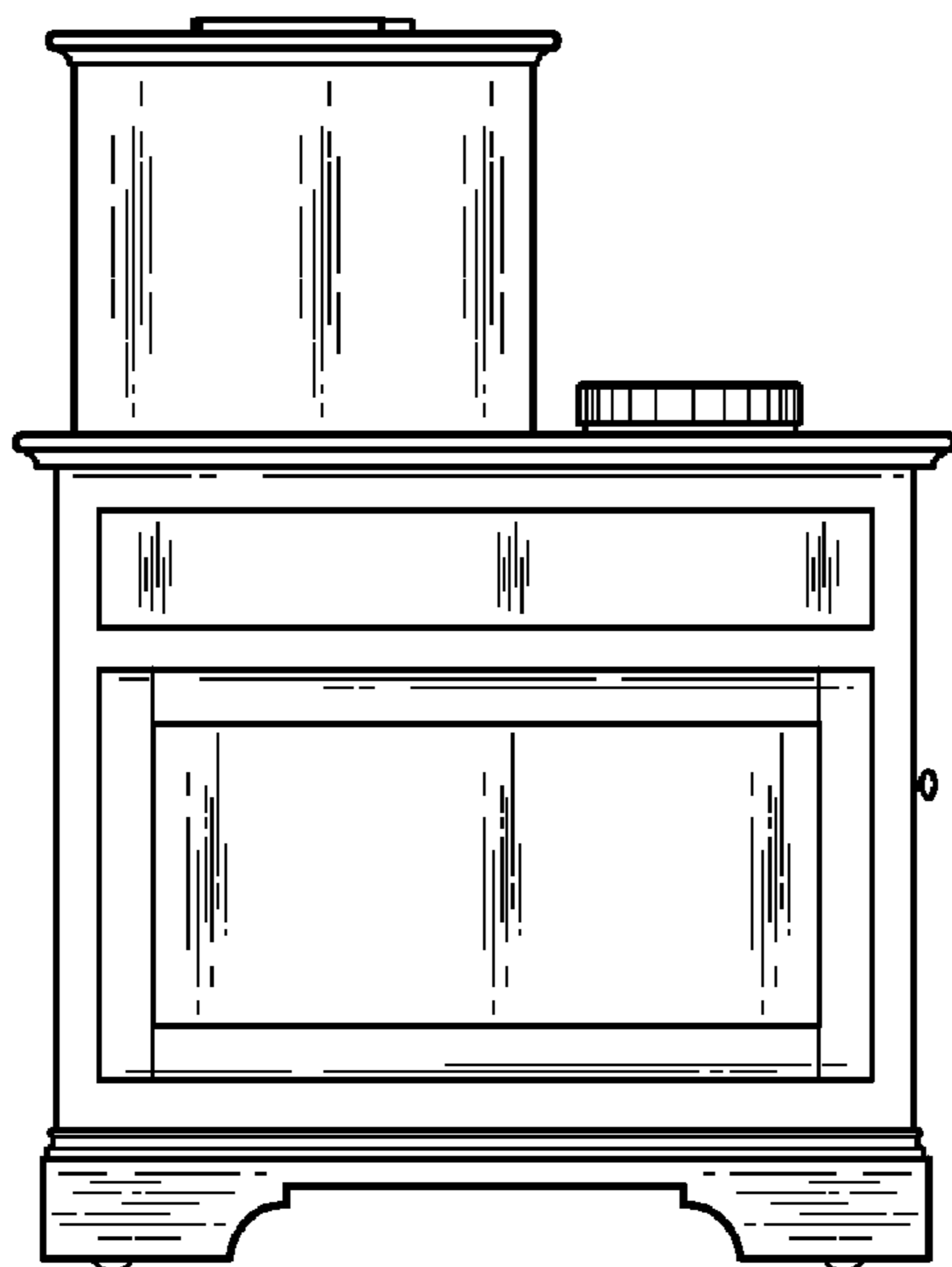


FIG. 6

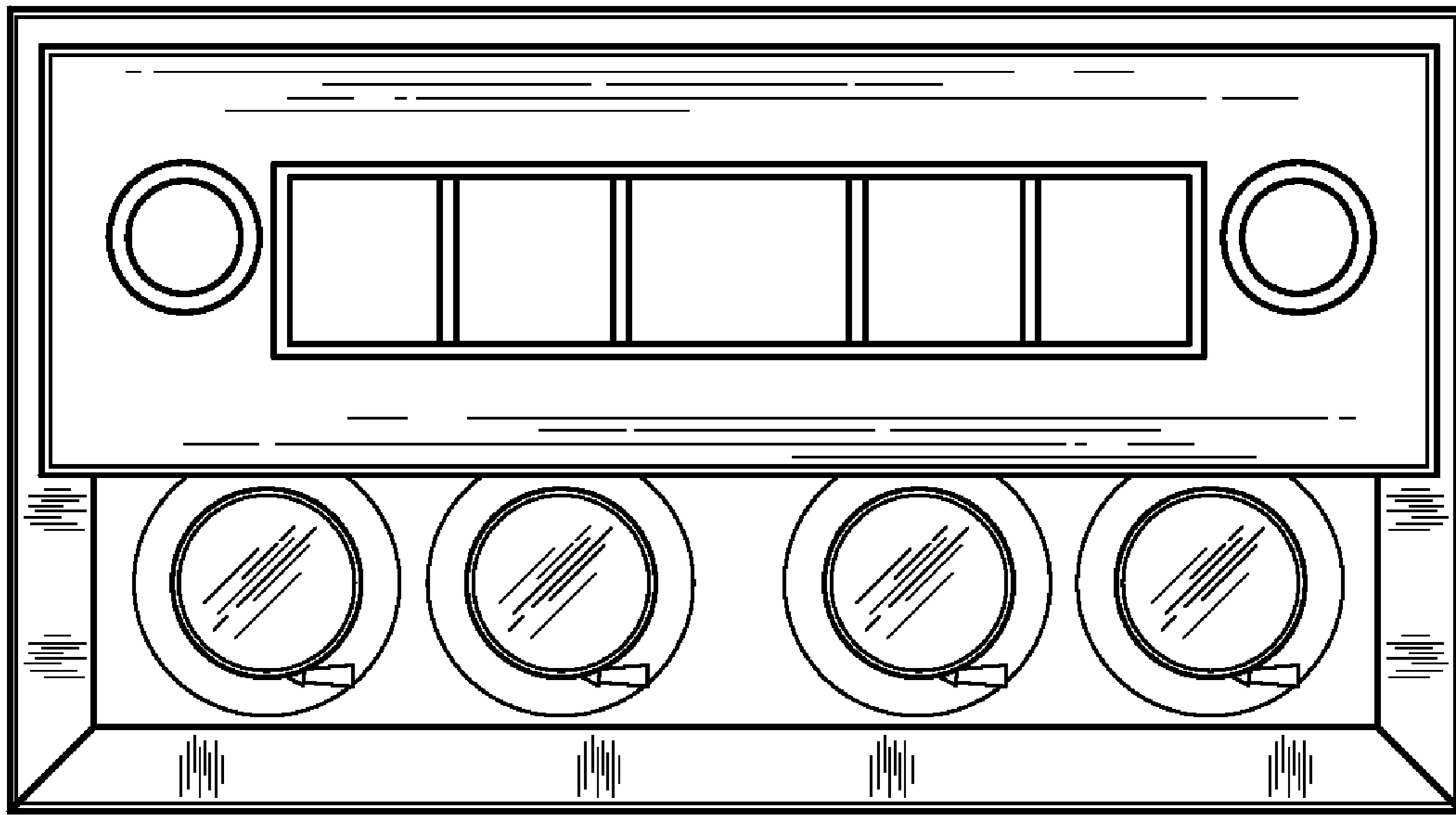


FIG. 7

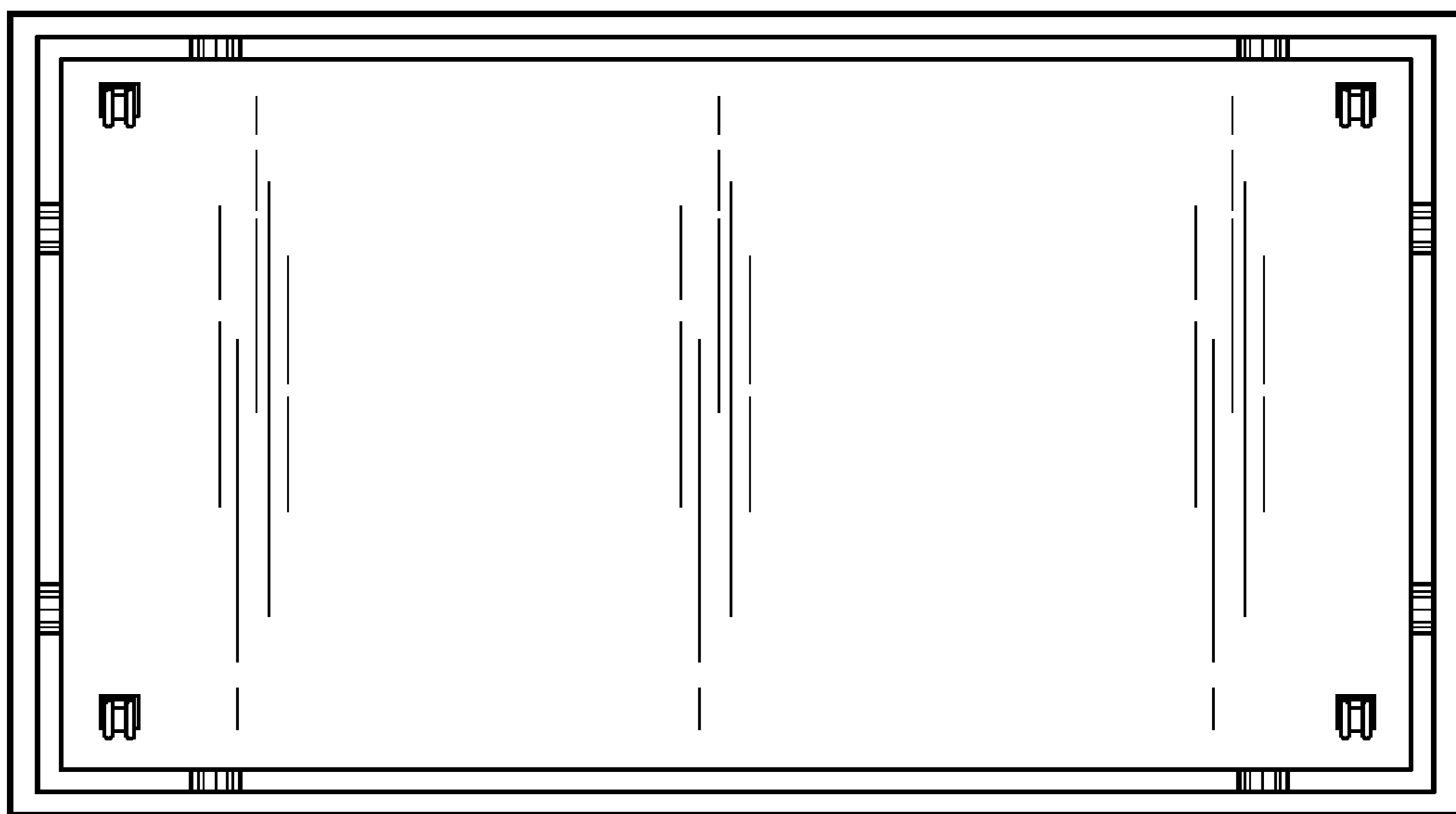


FIG. 8