

US00D591550S

(12) **United States Design Patent**
Lam

(10) **Patent No.:** **US D591,550 S**

(45) **Date of Patent:** **** May 5, 2009**

(54) **COMPACT CONTACT GRILL**

(75) Inventor: **Hoi Tak Raymond Lam**, Kowloon (CN)

(73) Assignee: **South Asia International (HK) Limited**, Kowloon, Hong Kong (CN)

(**) Term: **14 Years**

(21) Appl. No.: **29/293,475**

(22) Filed: **Nov. 27, 2007**

(51) **LOC (9) Cl.** **07-02**

(52) **U.S. Cl.** **D7/337**

(58) **Field of Classification Search** D7/332-337,
D7/402-405, 352; D23/343, 401; 126/519,
126/25 R, 25 A, 25 AA, 41 R, 29, 30, 9 R,
126/38, 37 R, 40, 50; 99/444-445, 448,
99/481-482

See application file for complete search history.

(56) **References Cited**

U.S. PATENT DOCUMENTS

D479,665 S *	9/2003	Barker	D7/352
D507,929 S *	8/2005	Steinberg et al.	D7/352
D527,941 S *	9/2006	Serra	D7/352
D528,350 S *	9/2006	McHutchison	D7/352
D532,646 S *	11/2006	Moore	D7/352

D541,581 S *	5/2007	Moore	D7/352
D541,582 S *	5/2007	Chuang et al.	D7/352
D546,619 S *	7/2007	McHutchison	D7/352
D568,090 S *	5/2008	Lam	D7/352
2005/0205544 A1	9/2005	Bachinski et al.	
2006/0191895 A1	8/2006	Li et al.	

* cited by examiner

Primary Examiner—Ruth McInroy

(74) *Attorney, Agent, or Firm*—Alix, Yale & Ristas, LLP

(57) **CLAIM**

The ornamental design for a compact contact grill, as shown and described.

DESCRIPTION

FIG. 1 is a front perspective view of a compact contact grill showing my new design;

FIG. 2 is a front view thereof;

FIG. 3 is a rear view thereof;

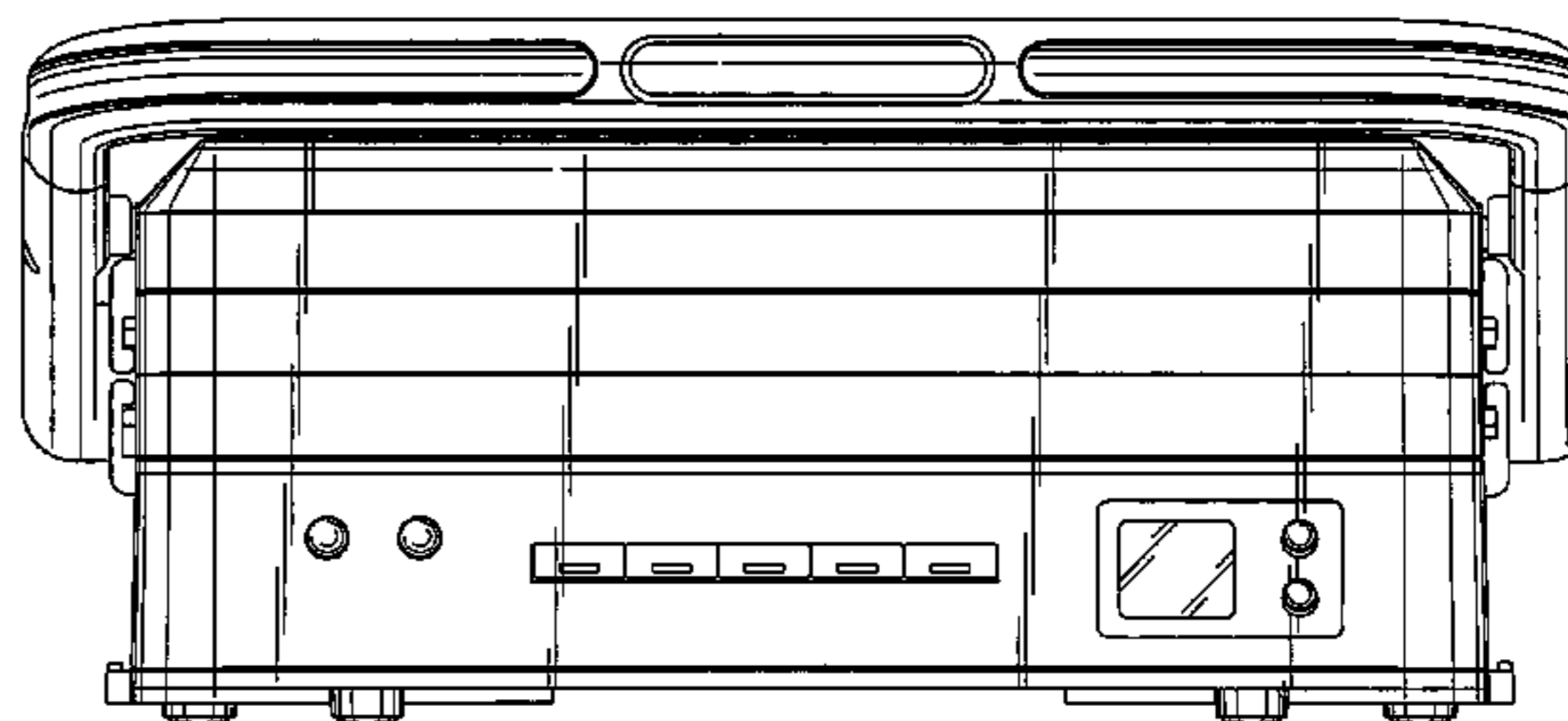
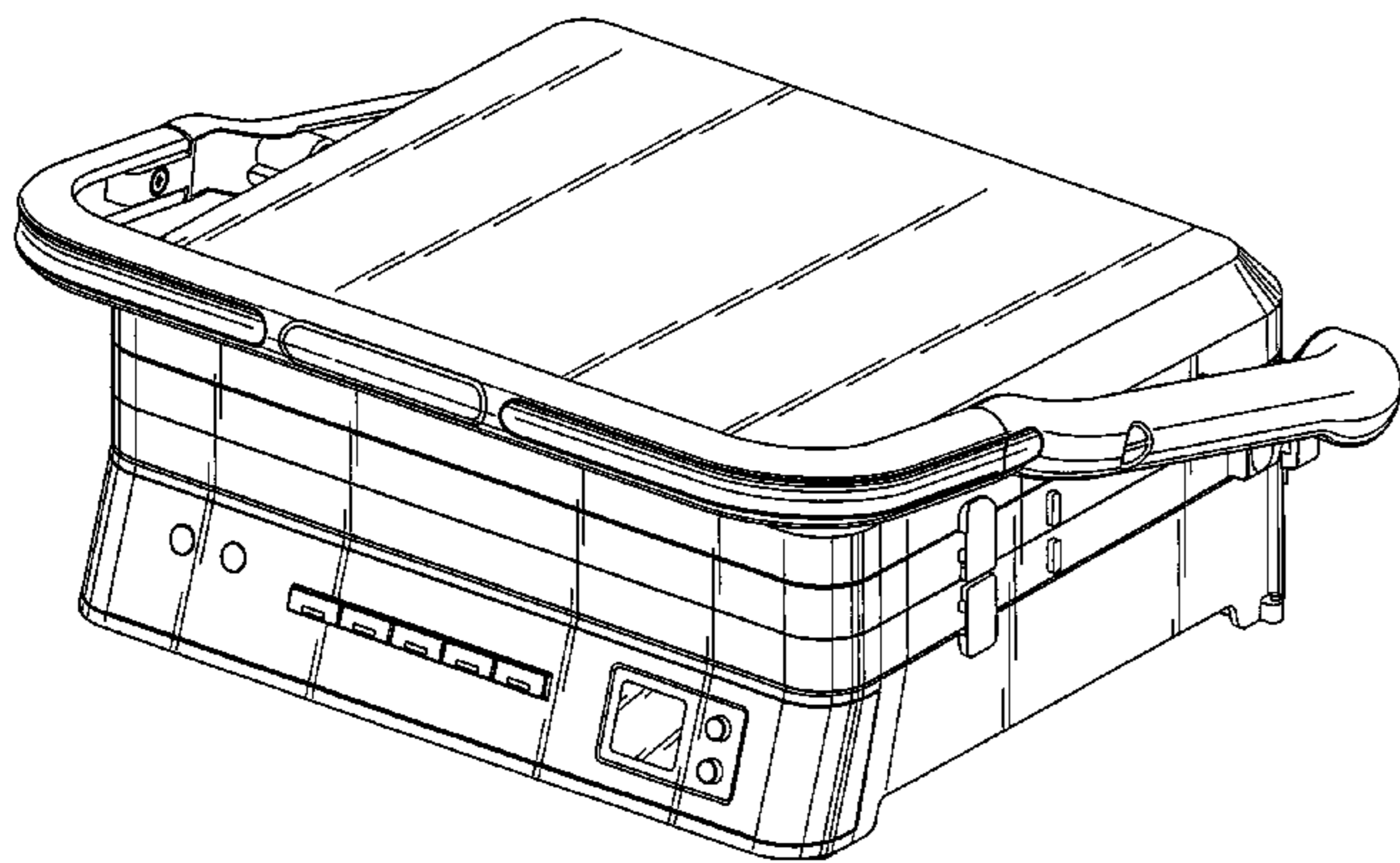
FIG. 4 is a left side view thereof;

FIG. 5 is a right side view thereof;

FIG. 6 is a top plan view thereof; and,

FIG. 7 is a bottom plan view thereof.

1 Claim, 7 Drawing Sheets



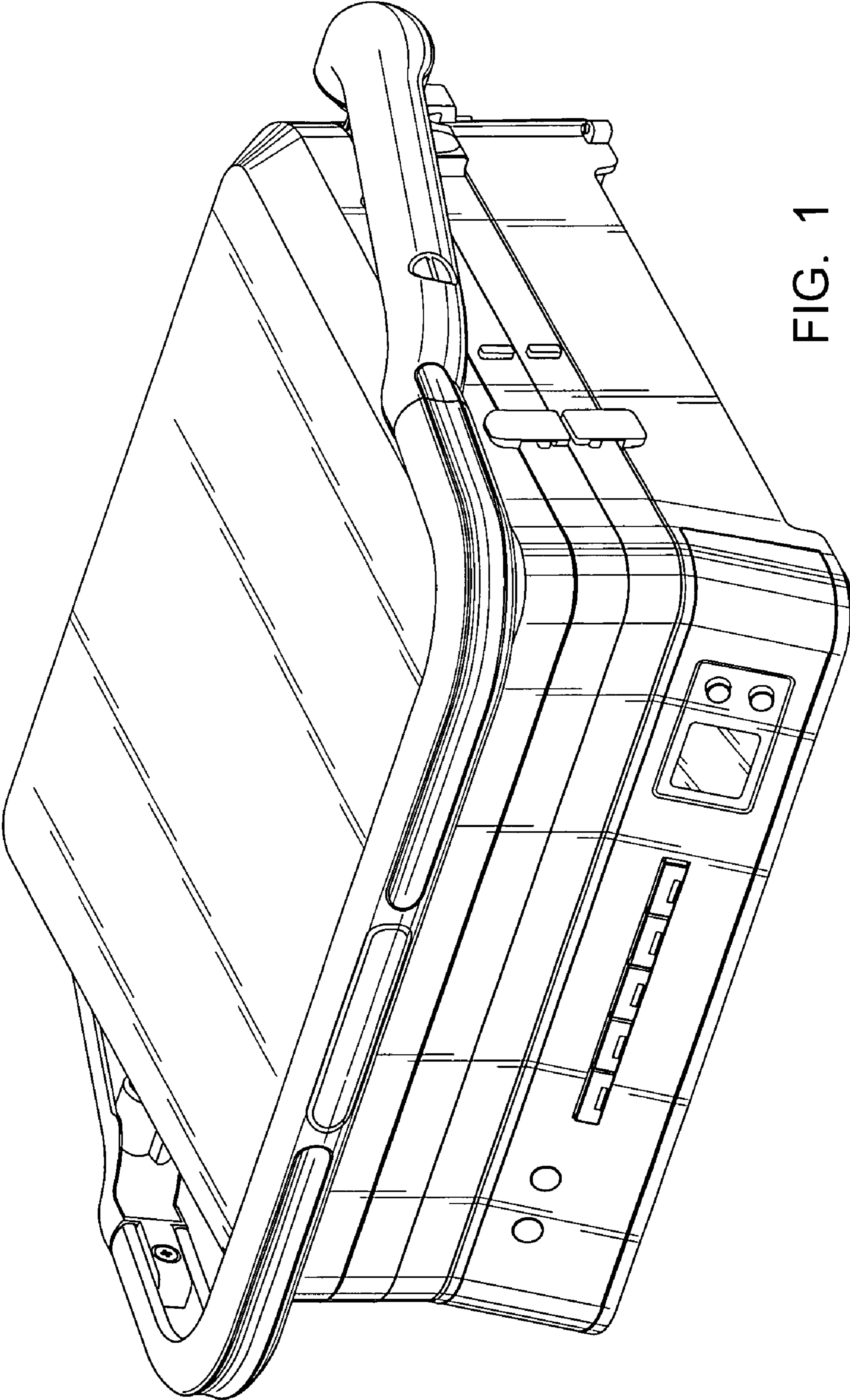


FIG. 1

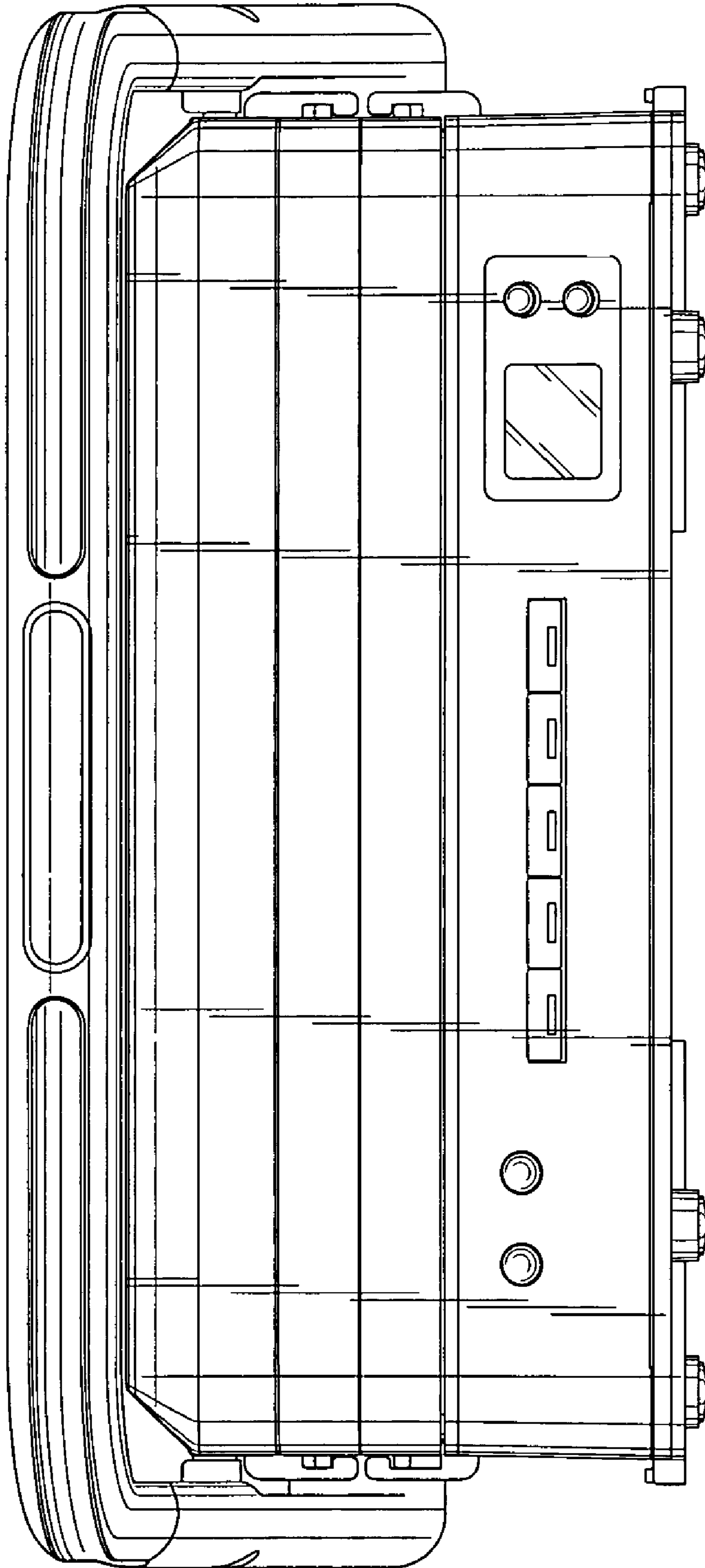


FIG. 2

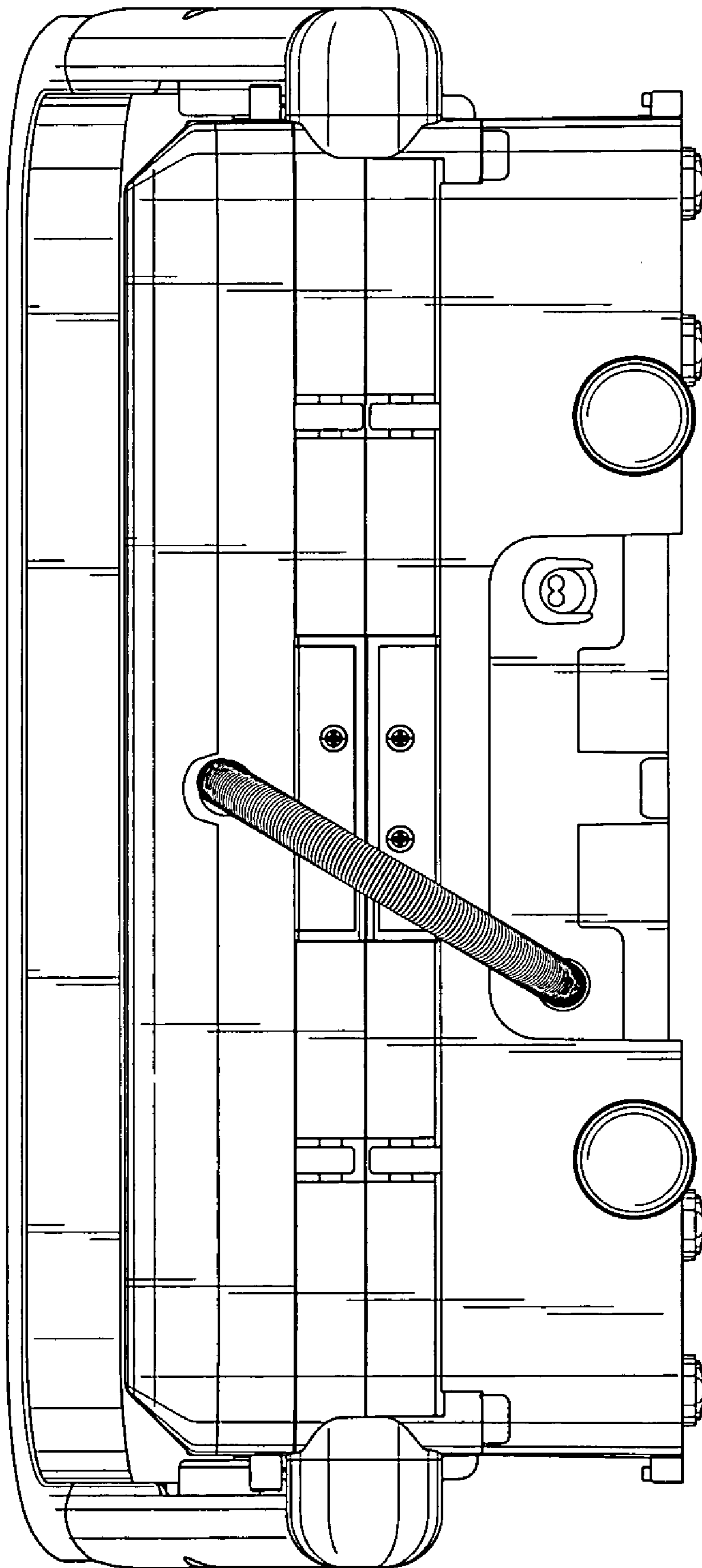


FIG. 3

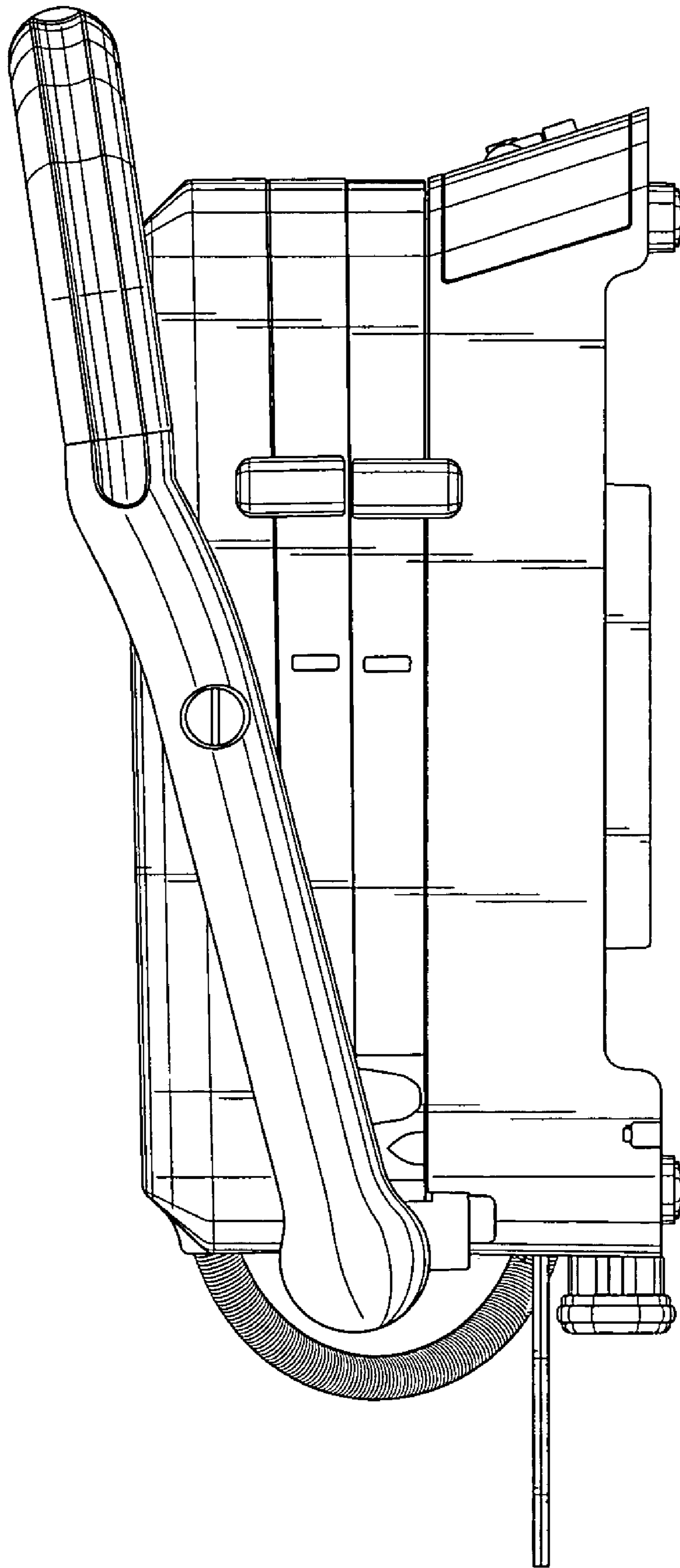


FIG. 4

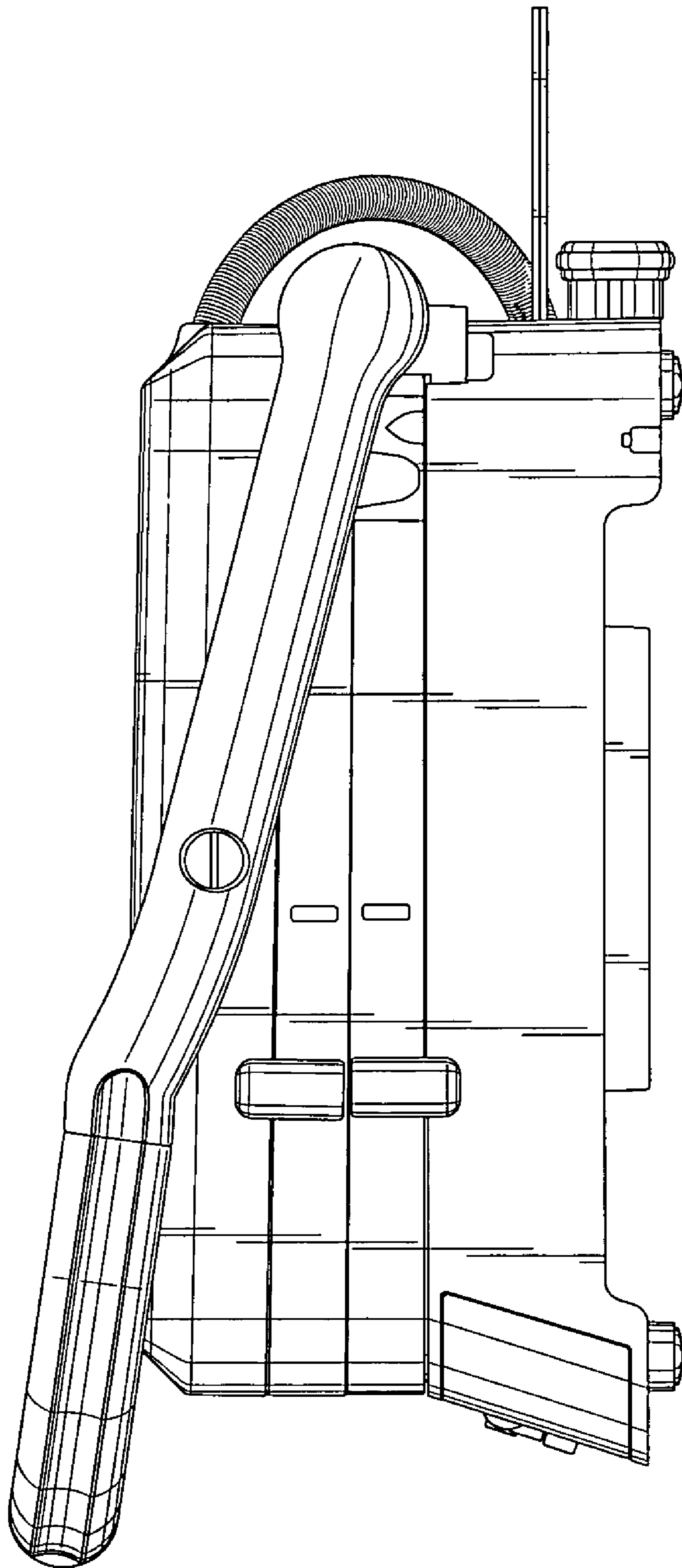


FIG. 5

FIG. 6

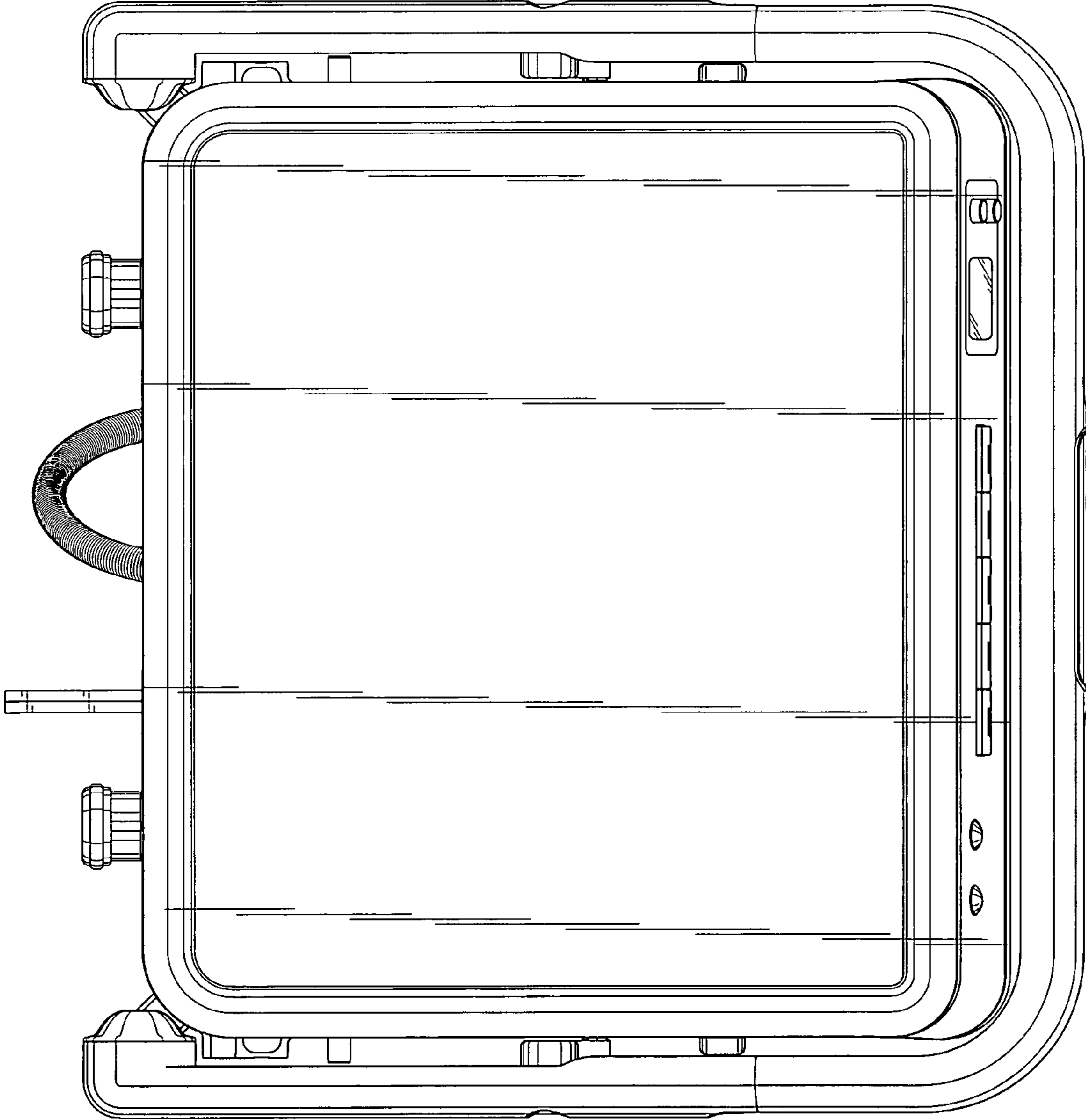


FIG. 7

