



US00D591545S

(12) **United States Design Patent**
Krossa

(10) **Patent No.:** **US D591,545 S**

(45) **Date of Patent:** **** May 5, 2009**

(54) **PORTABLE GROUNDING MAT EDGE**

(76) Inventor: **Dean Loy Krossa**, Box 364, Mirror, AB
(CA) T0B 3C0

(**) Term: **14 Years**

(21) Appl. No.: **29/325,876**

(22) Filed: **Oct. 7, 2008**

(51) **LOC (9) Cl.** **06-11**

(52) **U.S. Cl.** **D6/582**

(58) **Field of Classification Search** D6/582,
D6/583, 588, 589, 590, 591, 592, 593, 594,
D6/596, 601, 603; 15/215, 216, 217; 428/78,
428/88, 198; D19/59, 64; D21/398, 404,
D21/476; 5/417, 655; 211/47; 466/219
See application file for complete search history.

(56) **References Cited**

U.S. PATENT DOCUMENTS

- D487,664 S * 3/2004 Bourget D6/582
- D489,560 S * 5/2004 Bourget D6/582
- D496,551 S * 9/2004 Bourget D6/582
- D506,097 S * 6/2005 Davis et al. D6/588
- D508,180 S * 8/2005 Sneed D6/582
- D547,993 S * 8/2007 Oren et al. D6/582

D577,241 S * 9/2008 Kennedy D6/582

* cited by examiner

Primary Examiner—Robert M Spear

Assistant Examiner—Barbara B Lohr

(74) *Attorney, Agent, or Firm*—Thomas E. Malyszko

(57) **CLAIM**

The ornamental design for a portable grounding mat edge, as shown and described.

DESCRIPTION

FIG. 1 is a perspective view from above of a portable grounding mat edge having two perimeter stripes according to my design;

FIG. 2 is a plan view from above of FIG. 1;

FIG. 3 is a plan view from below of FIG. 1;

FIG. 4 is an end view taken from the left side of FIG. 2;

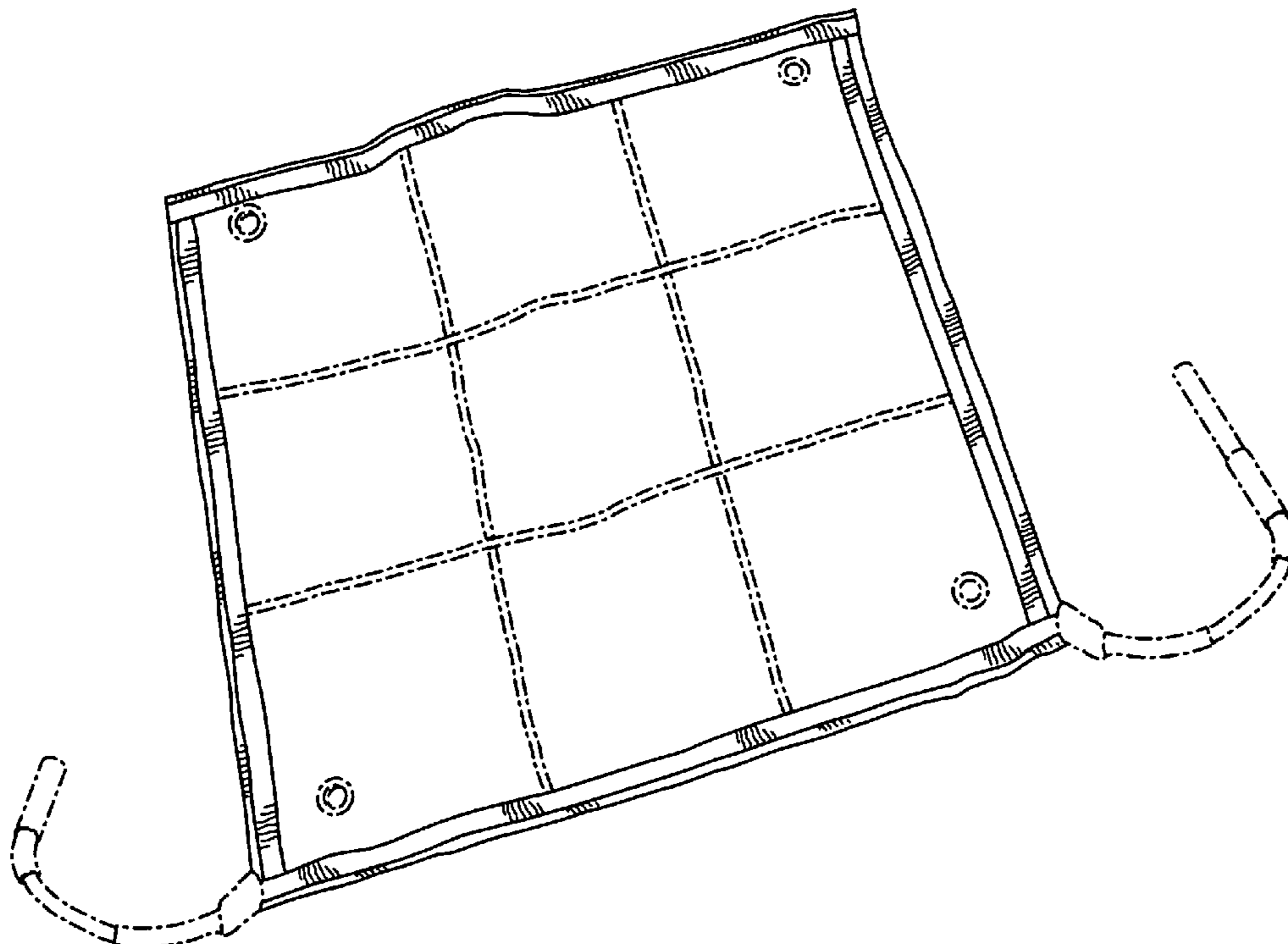
FIG. 5 is an end view taken from the top end of FIG. 2;

FIG. 6 is an end view taken from the bottom end of FIG. 2; and,

FIG. 7 is an end view taken from the right side of FIG. 2.

The broken lines of other features of the mat onto which my design is incorporated show environment for illustrative purposes only and form no part of the claimed design.

1 Claim, 4 Drawing Sheets



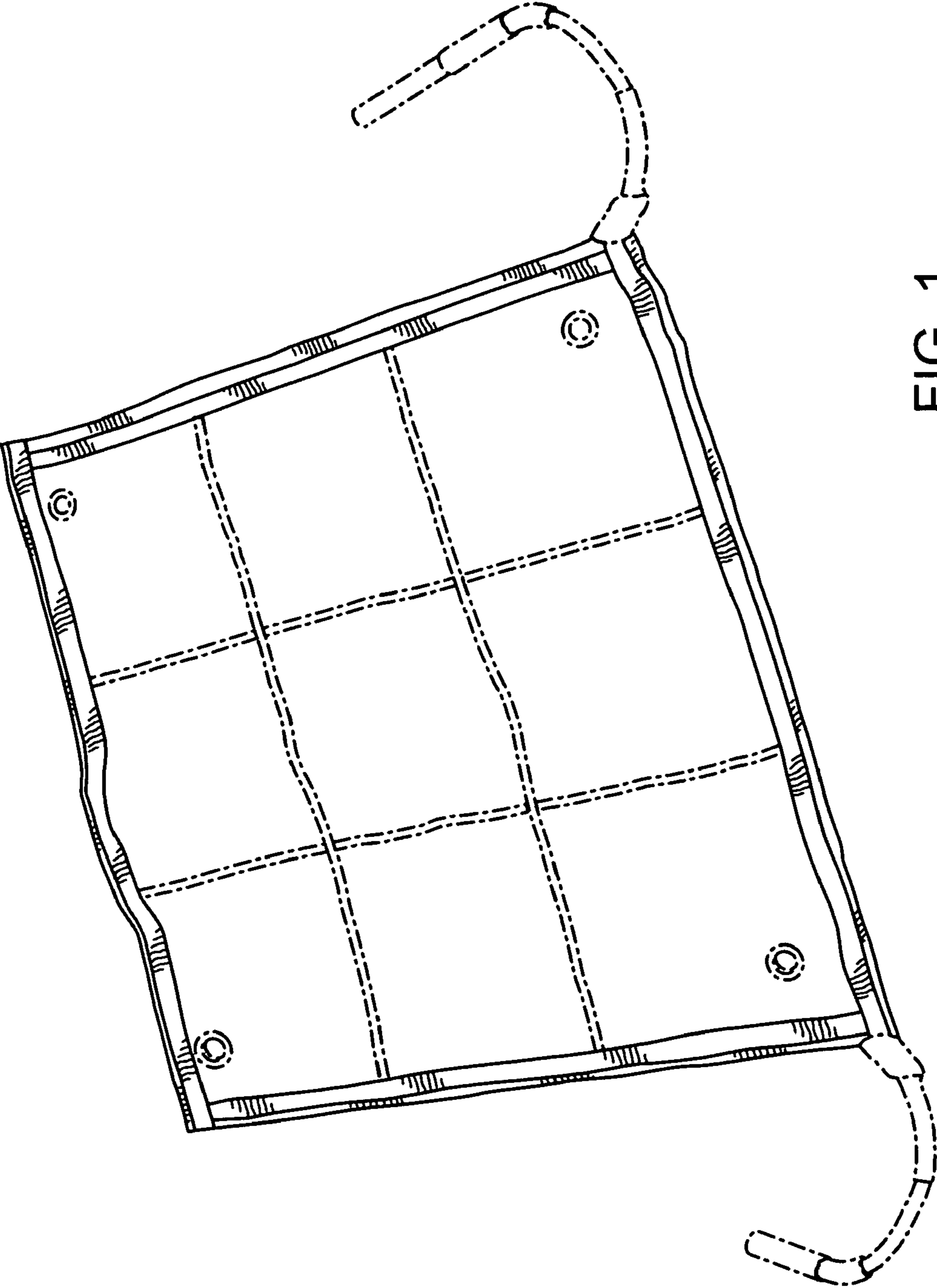


FIG. 1

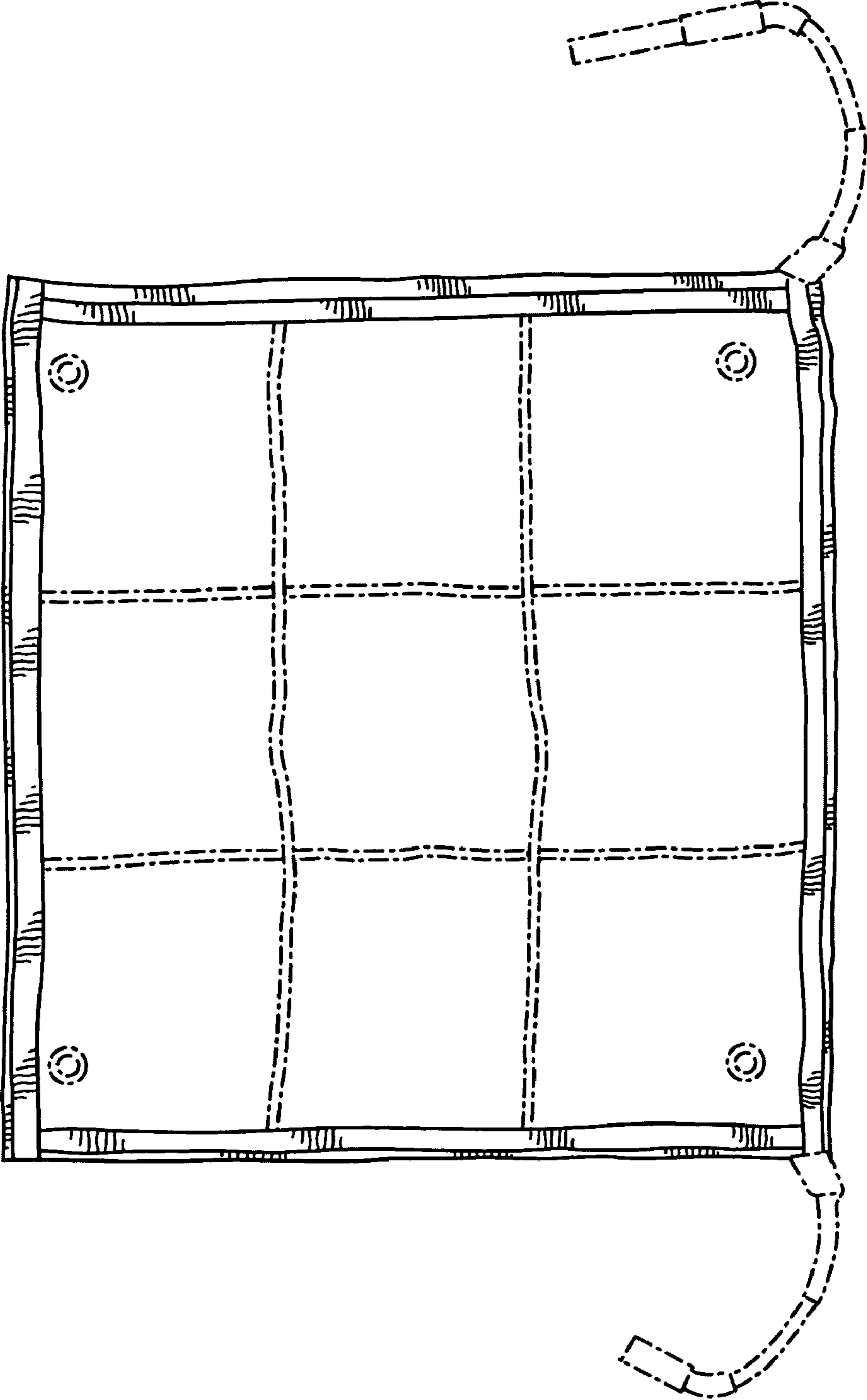


FIG. 2

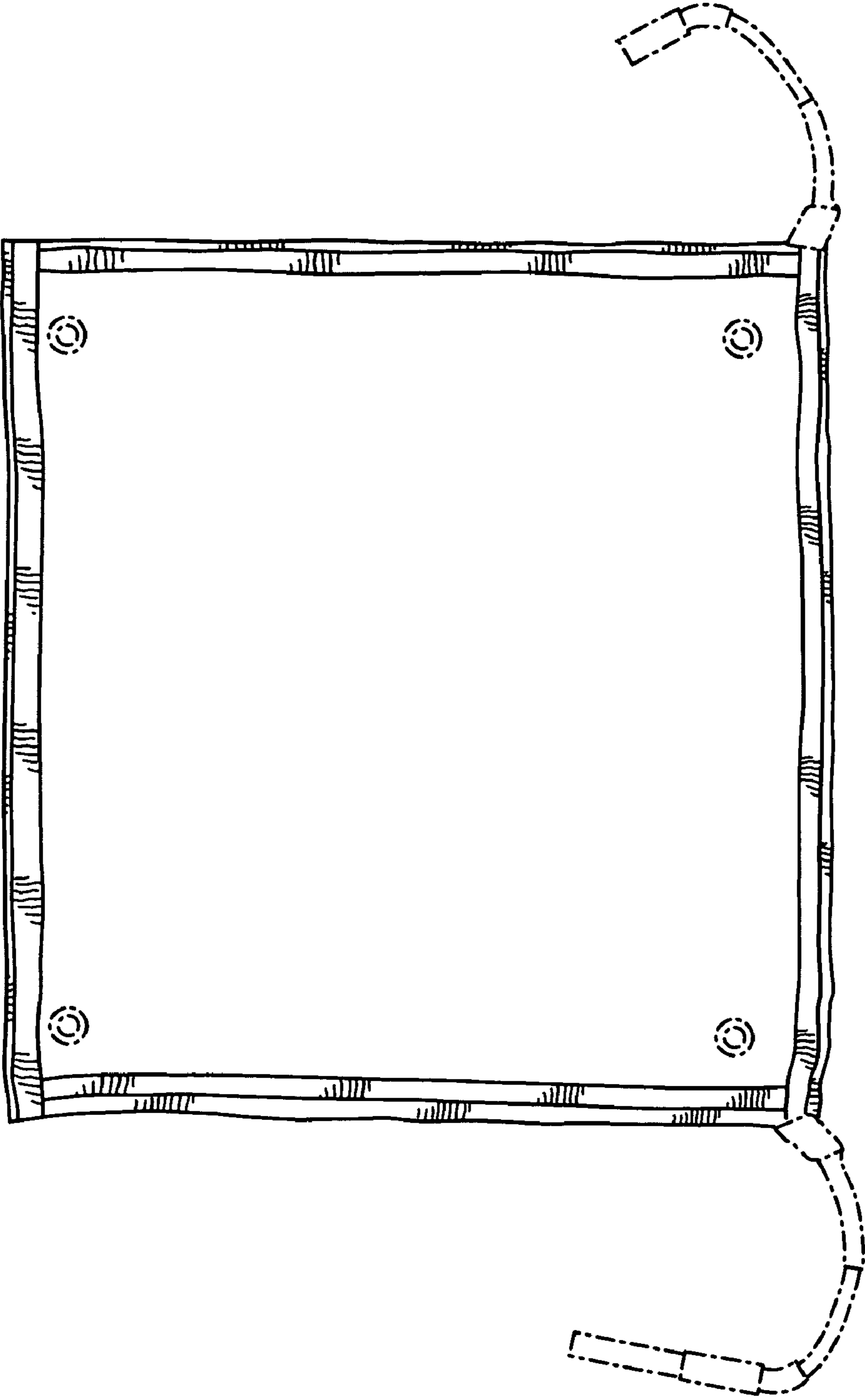


FIG. 3



FIG. 5



FIG. 6



FIG. 7

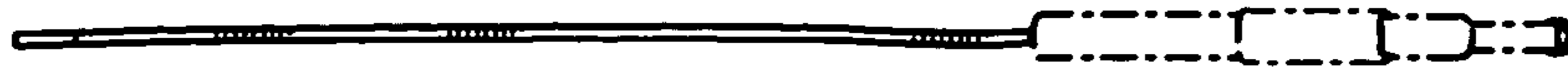


FIG. 4