



US00D591540S

(12) **United States Design Patent**
Lu

(10) **Patent No.:** **US D591,540 S**

(45) **Date of Patent:** **** May 5, 2009**

(54) **CHAIR FRAME**

(75) Inventor: **Wu-Chin Lu, Chia Yi Hsien (TW)**

(73) Assignee: **Chueng Shine Co., Ltd., Chia Yi Hsien (TW)**

(**) Term: **14 Years**

(21) Appl. No.: **29/327,308**

(22) Filed: **Nov. 4, 2008**

(51) **LOC (9) Cl.** **06-01**

(52) **U.S. Cl.** **D6/500; D6/370**

(58) **Field of Classification Search** D6/334-336,
D6/356, 364, 365, 366, 367, 374, 379, 380,
D6/498, 500-502; 297/284.1, 300.1, 354.11,
297/411.2, 411.27, 411.36, 452.18, 452.2,
297/452.29, 452.3, 452.63

See application file for complete search history.

(56) **References Cited**

U.S. PATENT DOCUMENTS

D151,617 S *	11/1948	Feraud	D6/369
D287,437 S *	12/1986	Frinier et al.	D6/370
D383,627 S *	9/1997	Kane	D6/500
D383,629 S *	9/1997	Kane	D6/502
D418,337 S *	1/2000	Zapf	D6/502
6,056,367 A *	5/2000	Hsiao	297/452.63
6,074,013 A *	6/2000	Hsiao	297/452.2
D461,661 S *	8/2002	Koepke et al.	D6/500
D501,333 S *	2/2005	Piretti	D6/366

D510,671 S *	10/2005	Wu	D6/502
D543,397 S *	5/2007	Loew et al.	D6/502
D543,717 S *	6/2007	Chen	D6/366
2005/0189810 A1 *	9/2005	Wu	297/452.29

* cited by examiner

Primary Examiner—Mimosa De

(74) *Attorney, Agent, or Firm*—Alan Kamrath; Kamrath & Associates PA

(57) **CLAIM**

The ornamental design for a chair frame, as shown and described.

DESCRIPTION

FIG. 1 is a perspective view of a chair frame showing my design;

FIG. 2 is a front elevational view thereof;

FIG. 3 is a rear elevational view thereof;

FIG. 4 is a left side elevational view thereof;

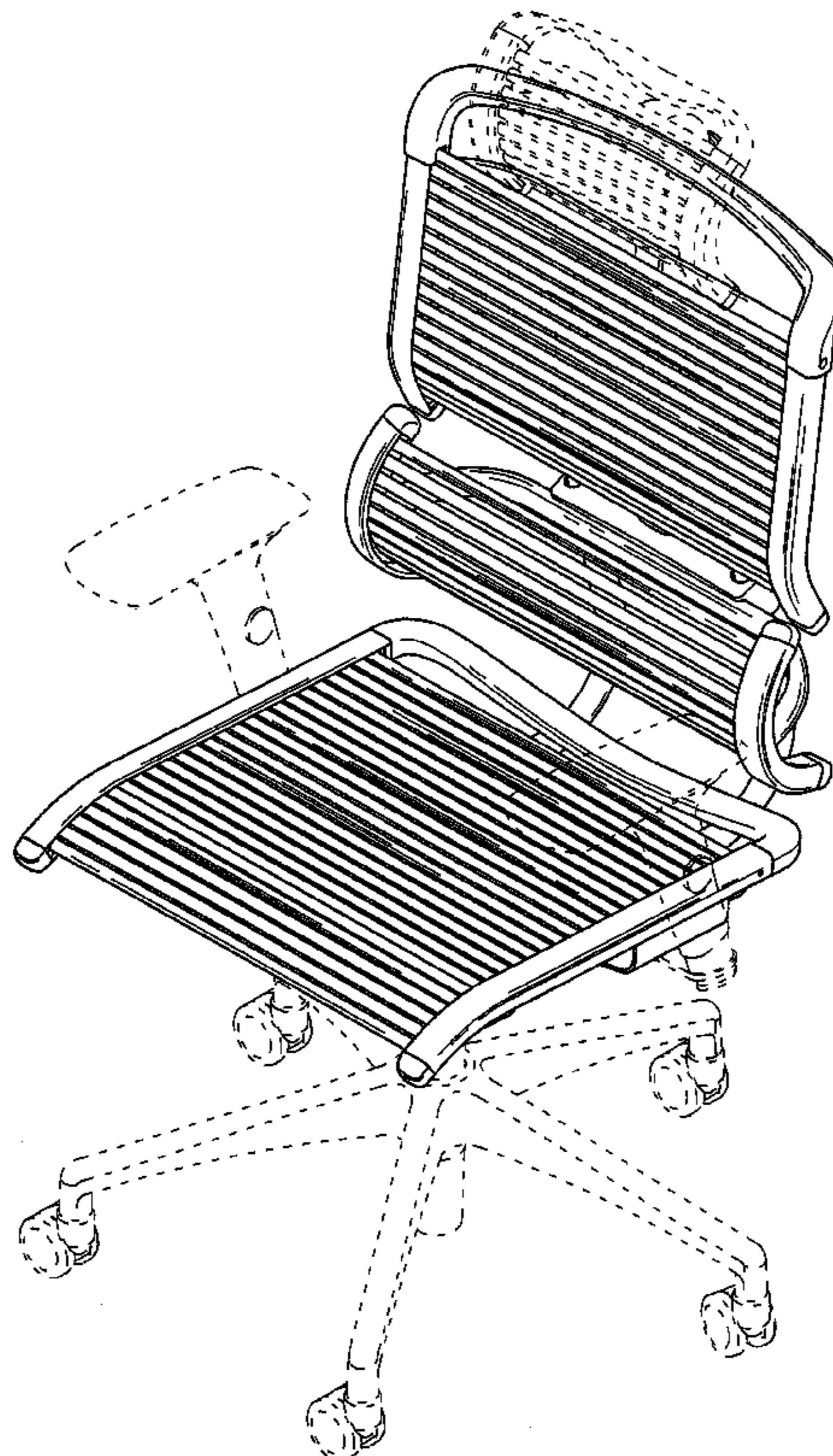
FIG. 5 is a right side elevational view thereof;

FIG. 6 is a top plan view thereof;

FIG. 7 is a bottom plan view thereof; and,

FIG. 8 is a perspective schematic view illustrating an application of a chair frame showing my design. The broken lines shown in the figure are for illustrative purposes only and form no part of the claimed design.

1 Claim, 8 Drawing Sheets



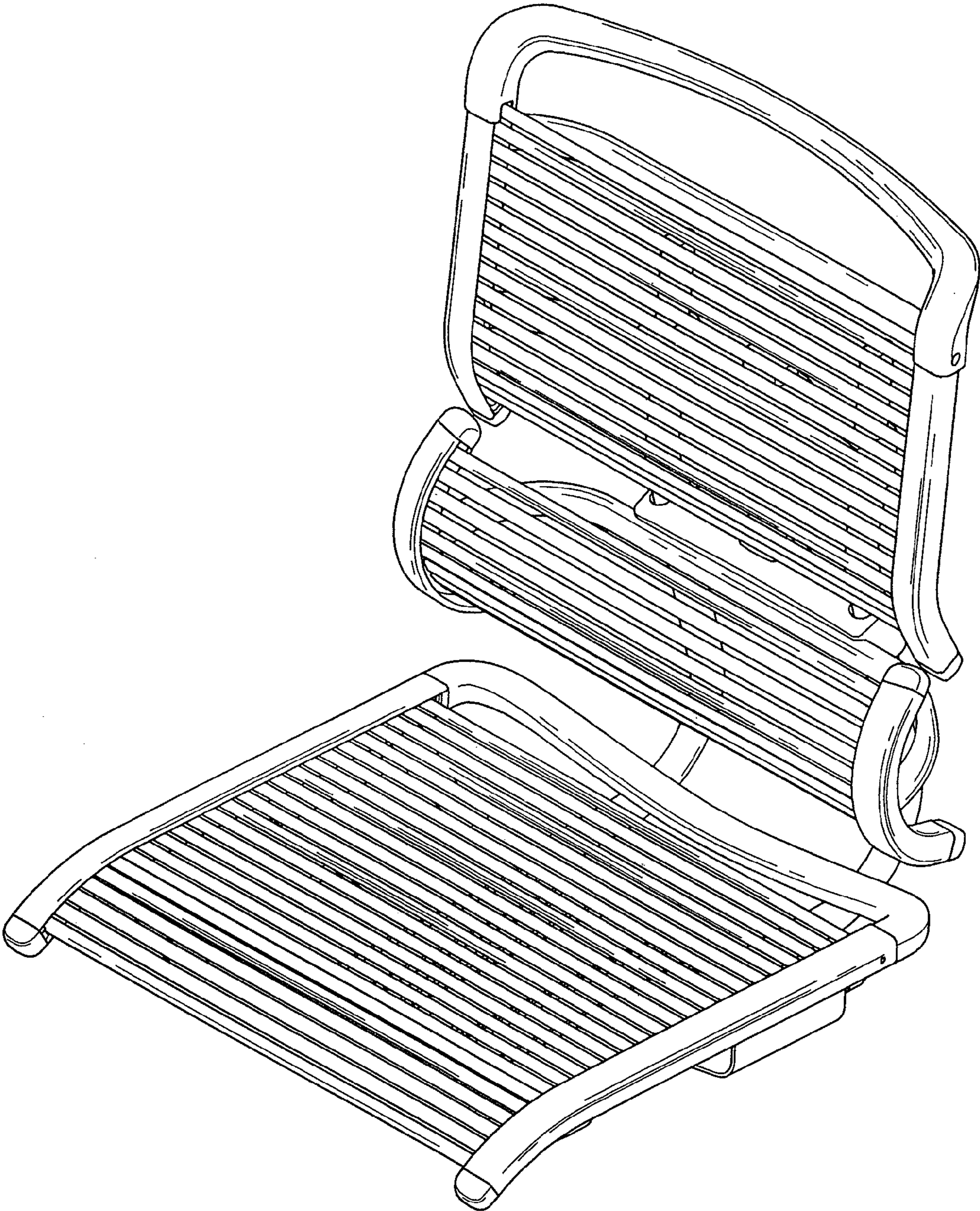


FIG.1

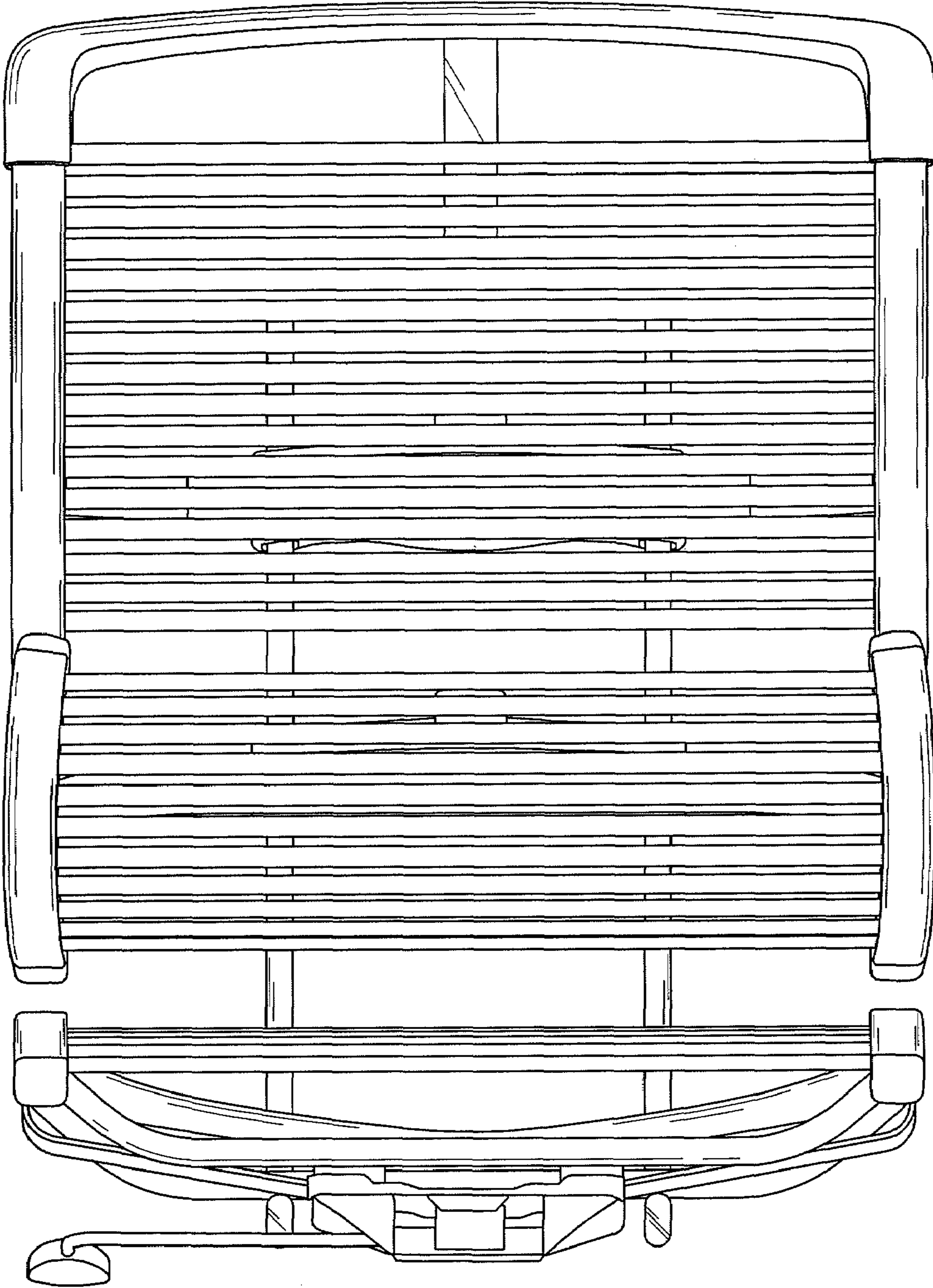


FIG.2

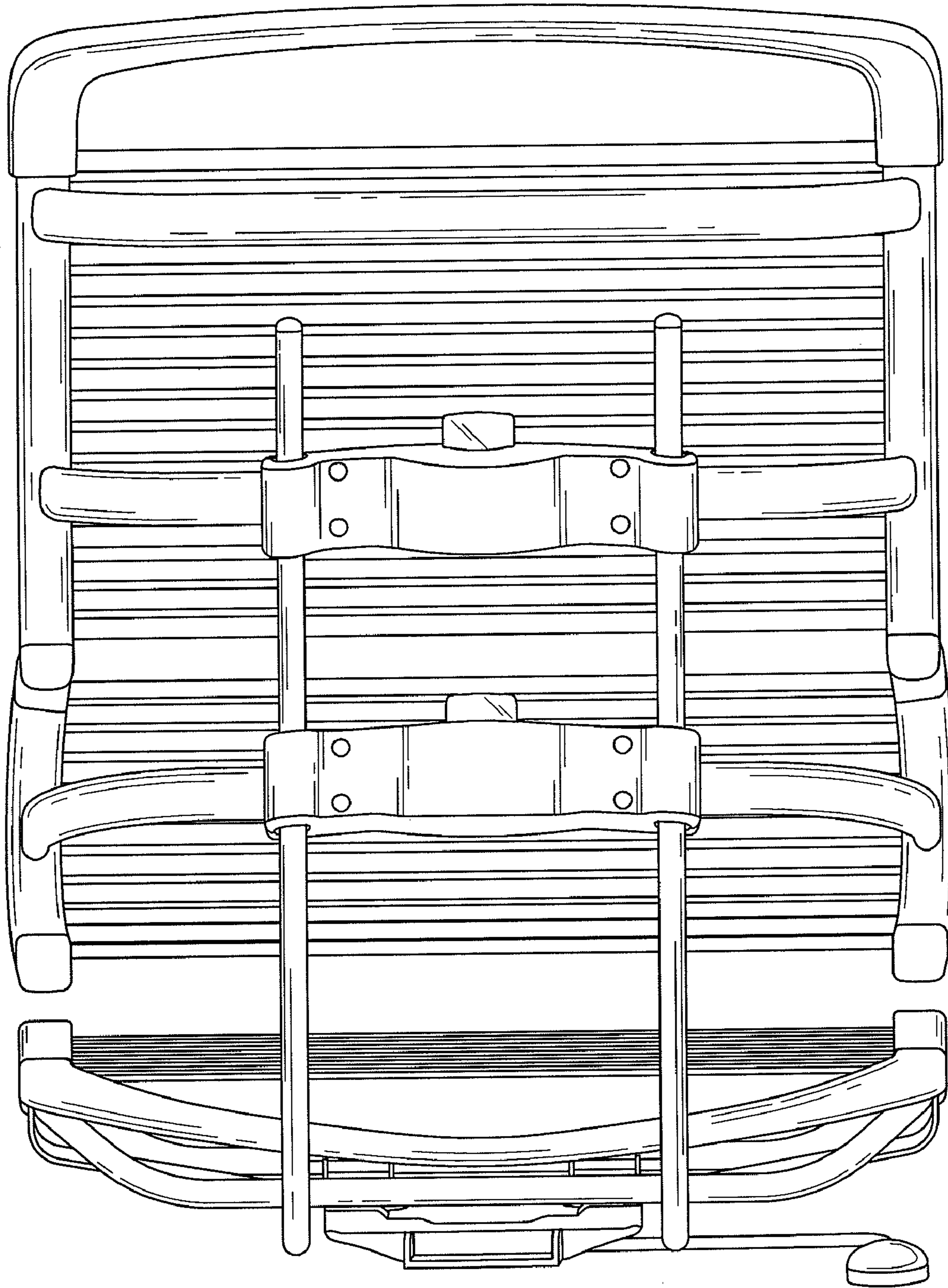


FIG.3

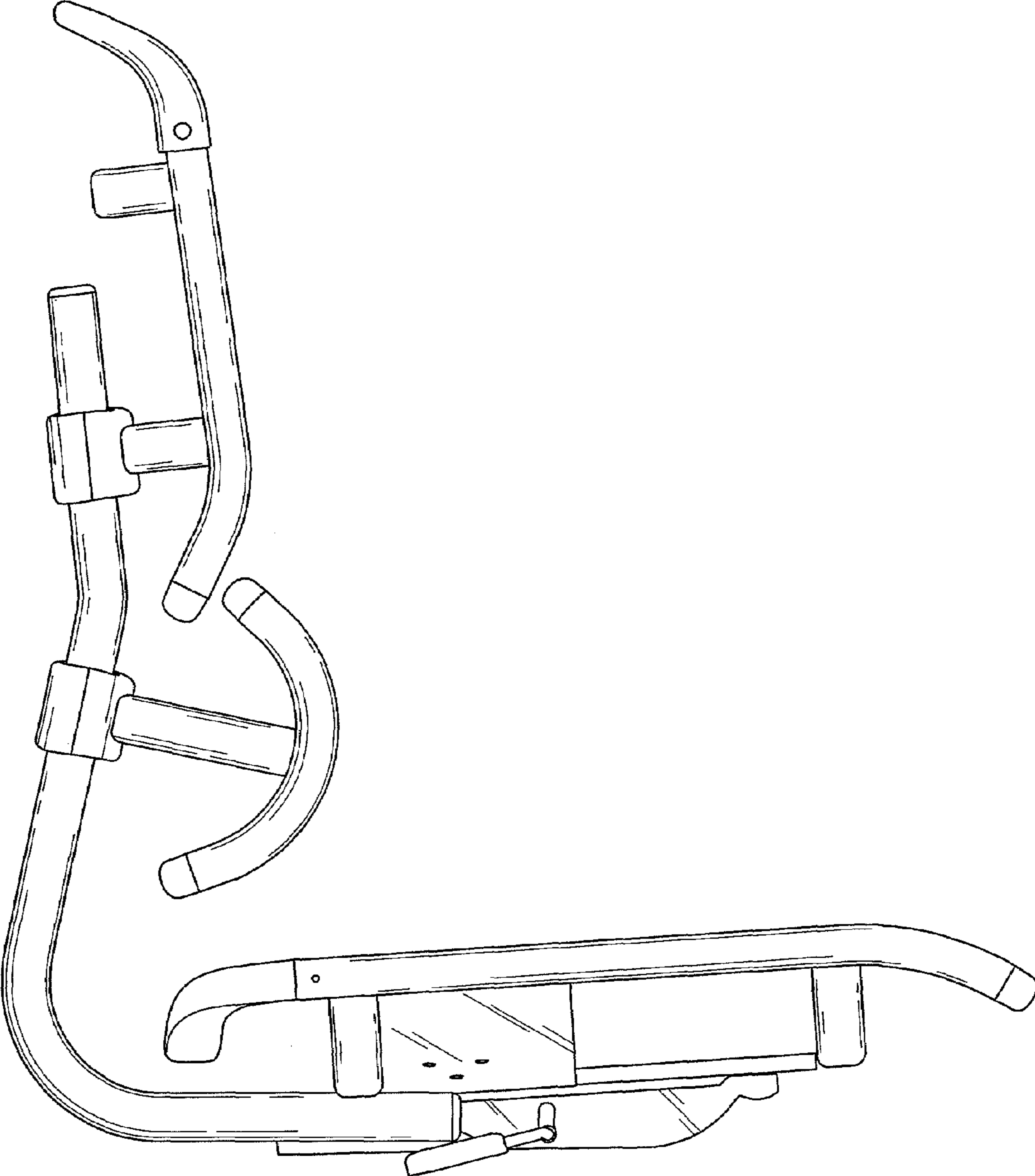


FIG.4

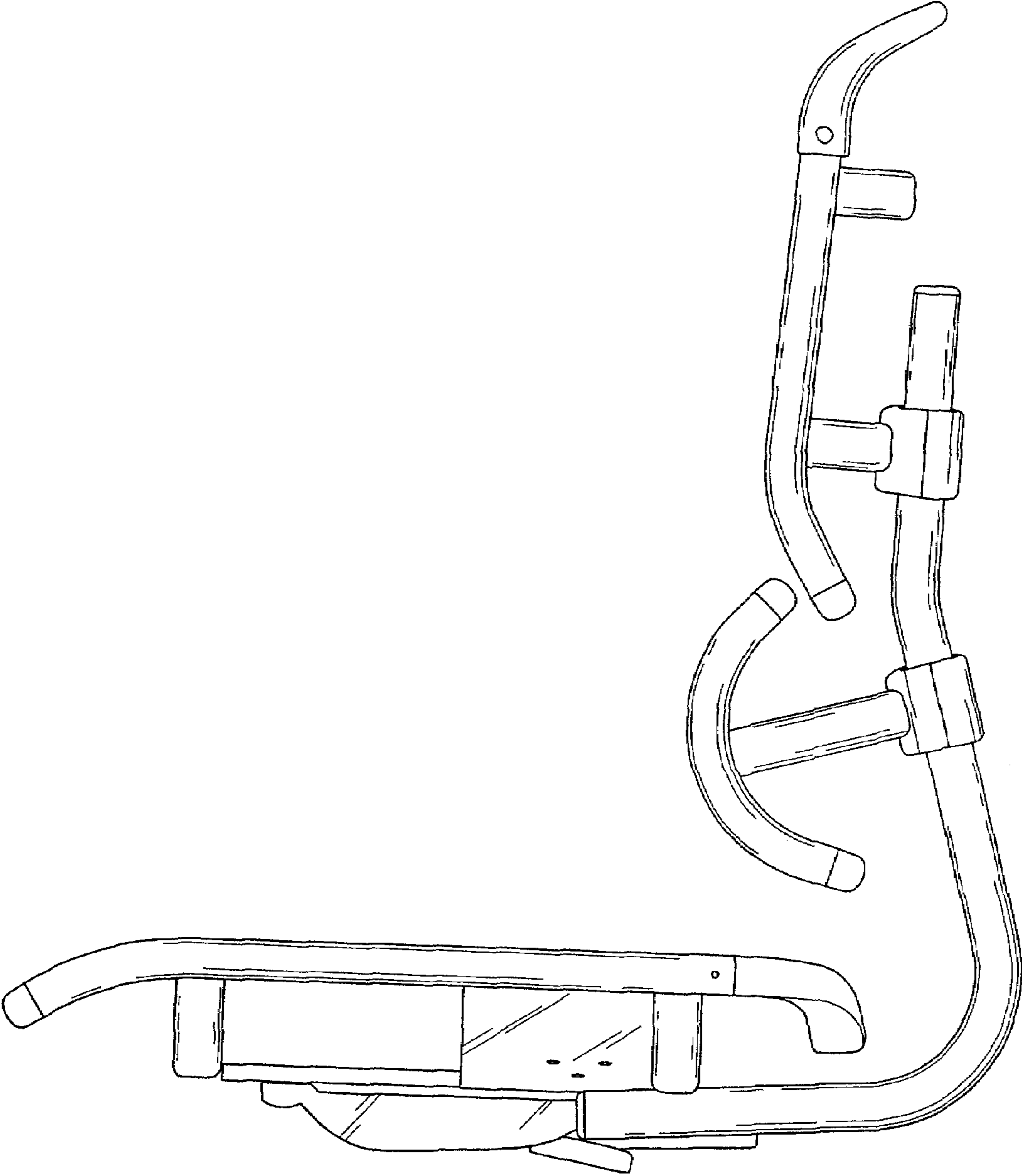


FIG.5

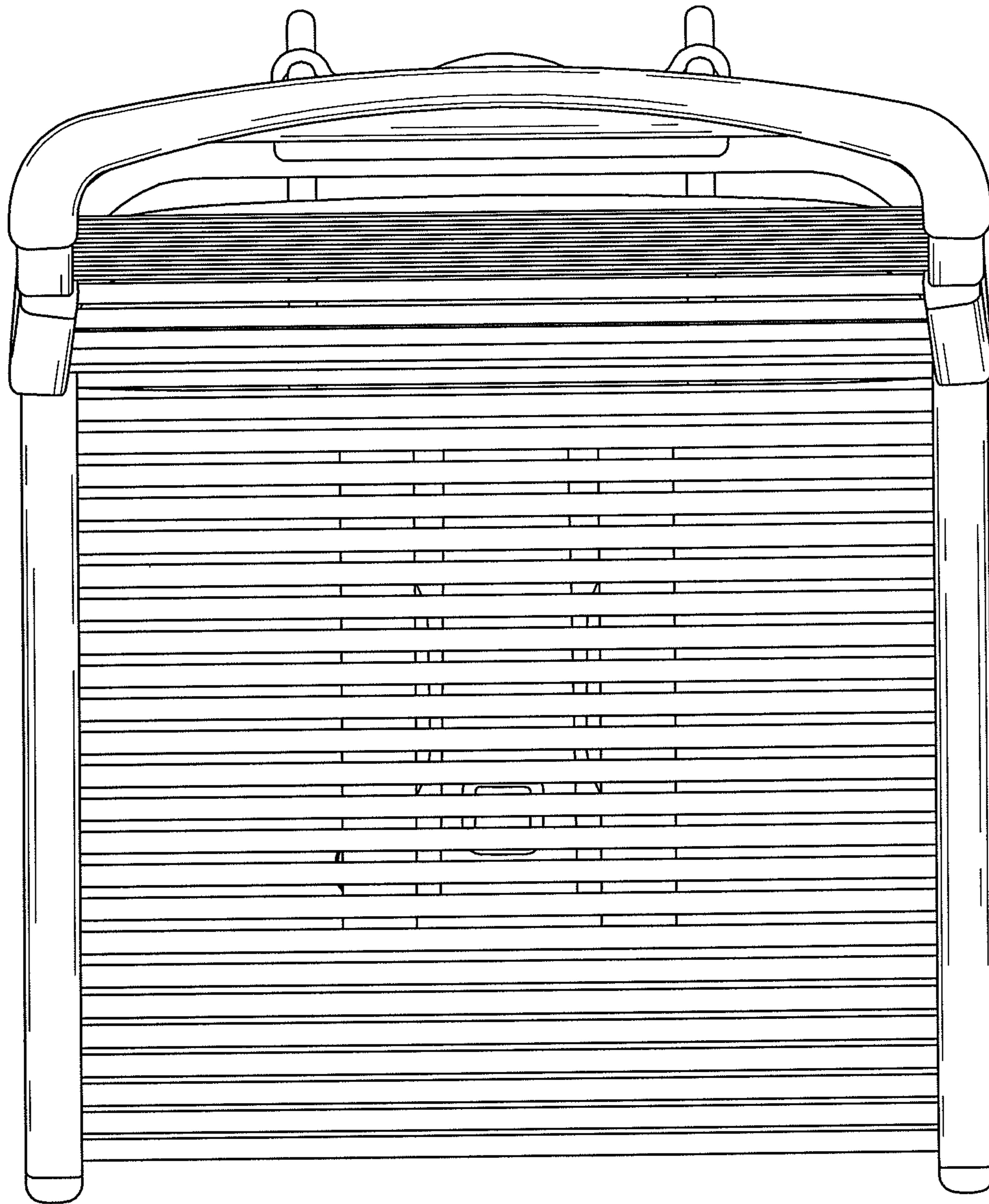


FIG.6

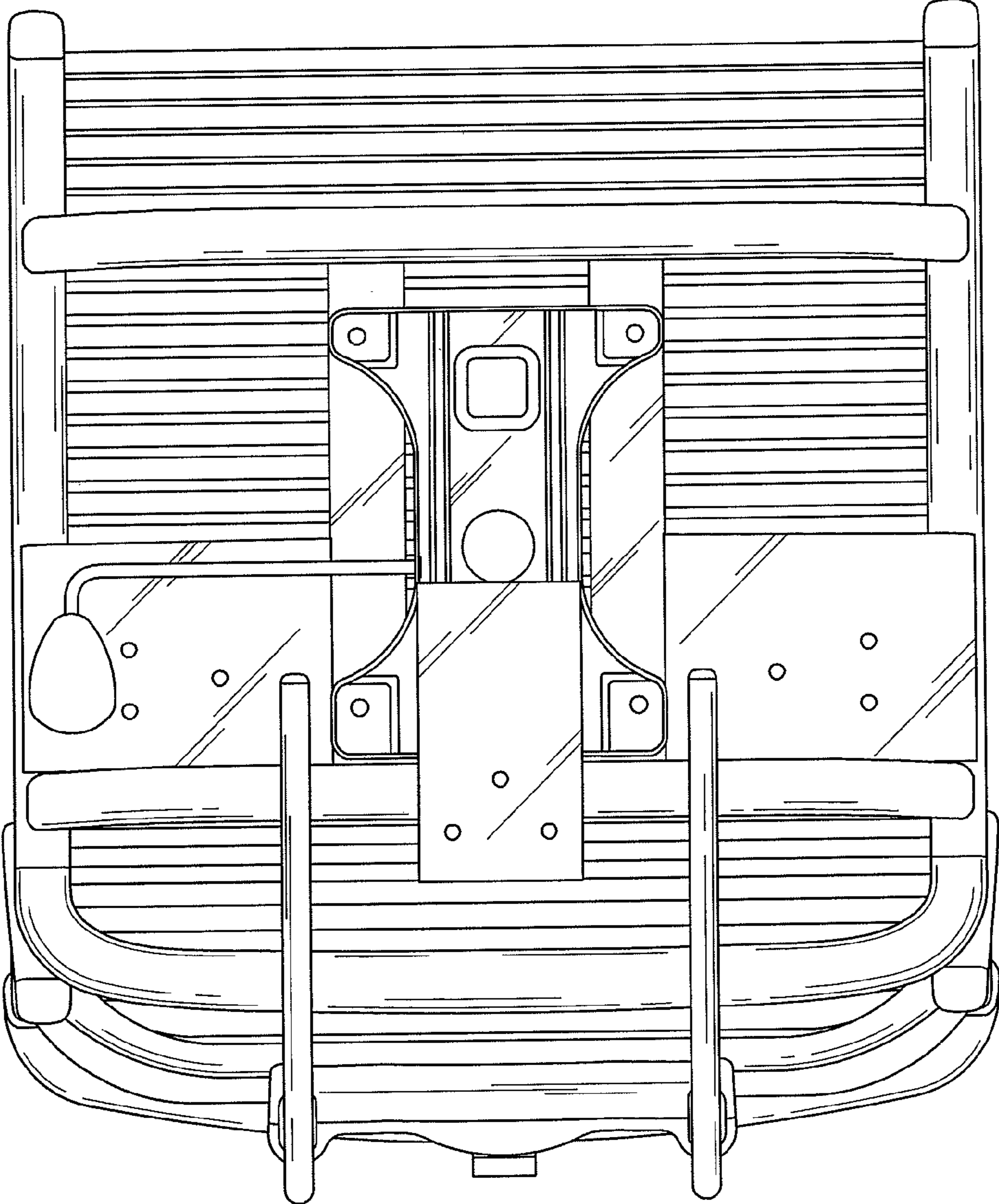


FIG.7

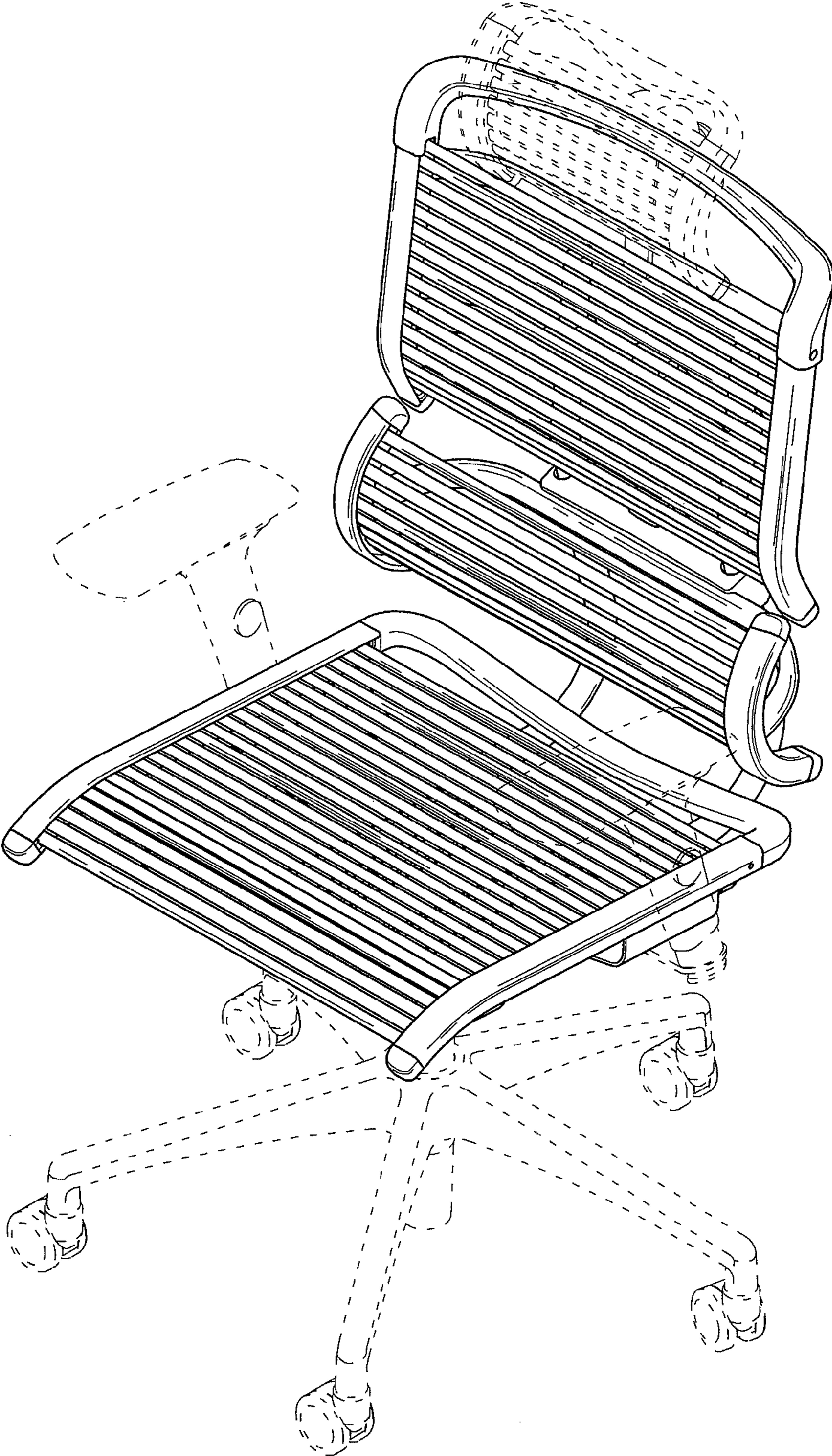


FIG. 8