

US00D591539S

(12) **United States Design Patent**
Bracher

(10) **Patent No.:** **US D591,539 S**

(45) **Date of Patent:** **** May 5, 2009**

(54) **TABLE**

(75) Inventor: **Todd Bracher**, Allerød (DK)

(73) Assignee: **Fritz Hansen A/S**, Allerød (DK)

(**) Term: **14 Years**

(21) Appl. No.: **29/317,038**

(22) Filed: **Apr. 22, 2008**

(30) **Foreign Application Priority Data**

Oct. 23, 2007 (EM) 000814074-0001-0010

(51) **LOC (9) Cl.** **06-06**

(52) **U.S. Cl.** **D6/495**

(58) **Field of Classification Search** D6/480-489,
D6/495-499, 429-431, 511, 349; 108/150,
108/153.1, 156, 157.1, 161, 50.01, 50.02;
248/188, 188.1, 188.7, 188.8

See application file for complete search history.

(56) **References Cited**

U.S. PATENT DOCUMENTS

D306,109 S	*	2/1990	Borsani	D6/487
D332,363 S	*	1/1993	Hollein	D6/484
D343,311 S	*	1/1994	Ball	D6/487
D345,476 S	*	3/1994	Burdick et al.	D6/495
D376,712 S	*	12/1996	Mezger	D6/487
D386,328 S	*	11/1997	Good	D6/480
D403,898 S	*	1/1999	Arnegger	D6/480

* cited by examiner

Primary Examiner—Janice E Seeger

(74) *Attorney, Agent, or Firm*—Renner, Otto, Boisselle & Sklar, LLP

(57) **CLAIM**

The ornamental design for a table, as shown and described.

DESCRIPTION

FIG. 1 is a first perspective view showing my design;

FIG. 2 is a second perspective view thereof;

FIG. 3 is a front view thereof, the rear view being a mirror image thereof;

FIG. 4 is a right end view thereof, the left end view being a mirror image thereof;

FIG. 5 is a top view thereof;

FIG. 6 is a bottom view thereof;

FIG. 7 is a first perspective view showing a second embodiment of my design;

FIG. 8 is a second perspective view thereof;

FIG. 9 is a front view thereof, the rear view being a mirror image thereof;

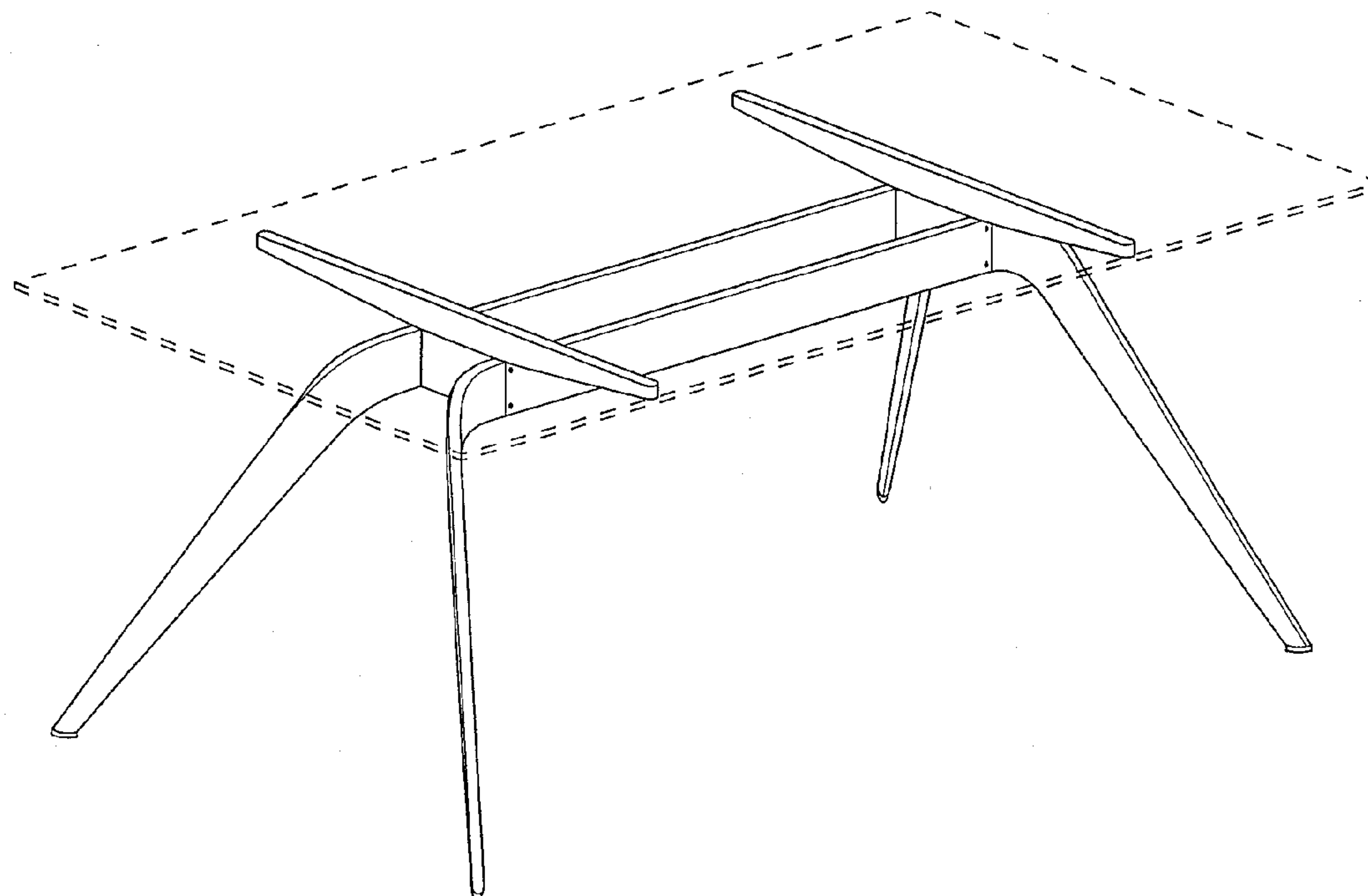
FIG. 10 is a right end view thereof, the left end view being a mirror image thereof;

FIG. 11 is a top view thereof; and,

FIG. 12 is a bottom view thereof.

The broken lines shown herein are for illustrative purposes only and form no part of the claimed design.

1 Claim, 12 Drawing Sheets



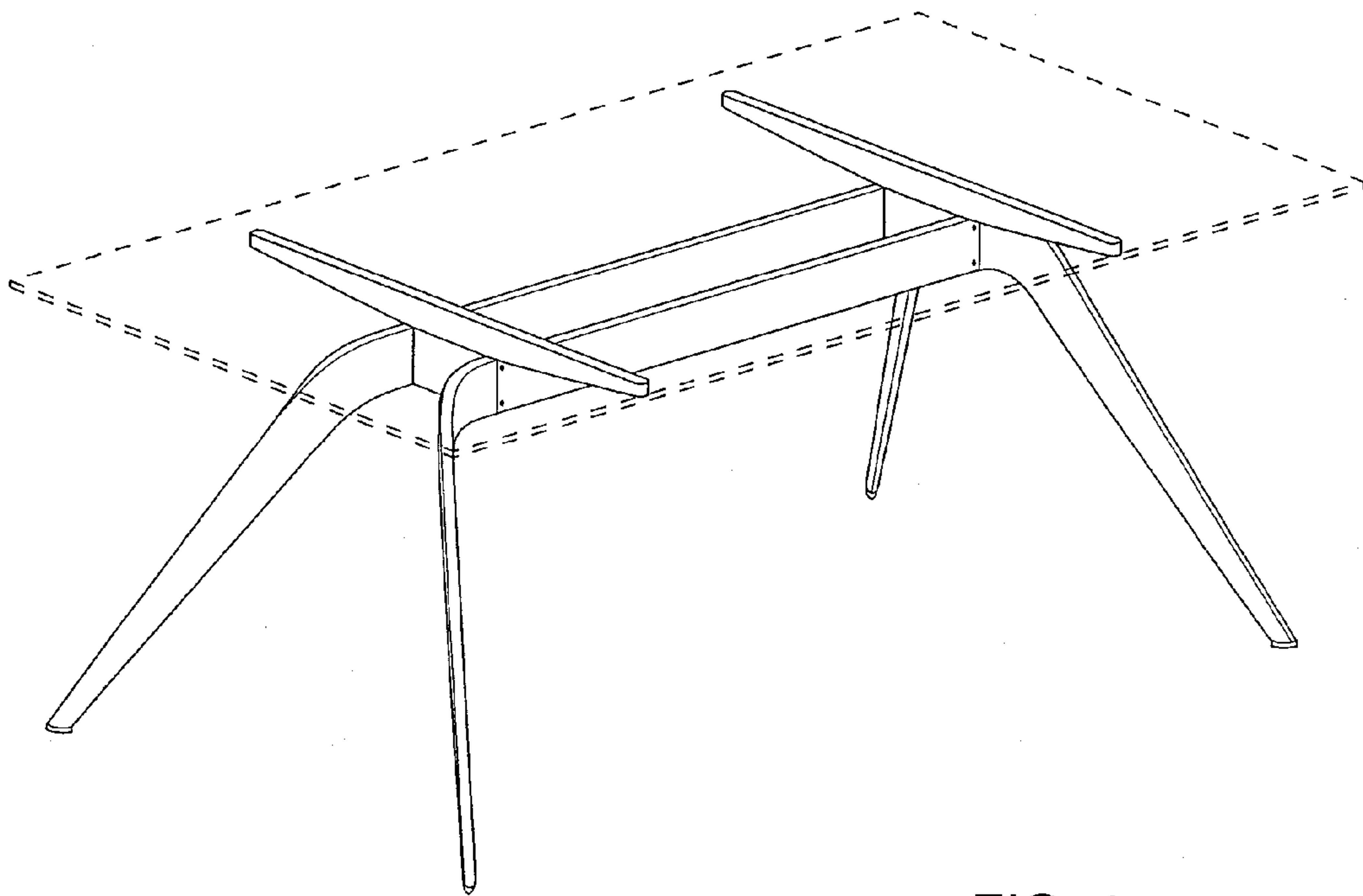


FIG. 1

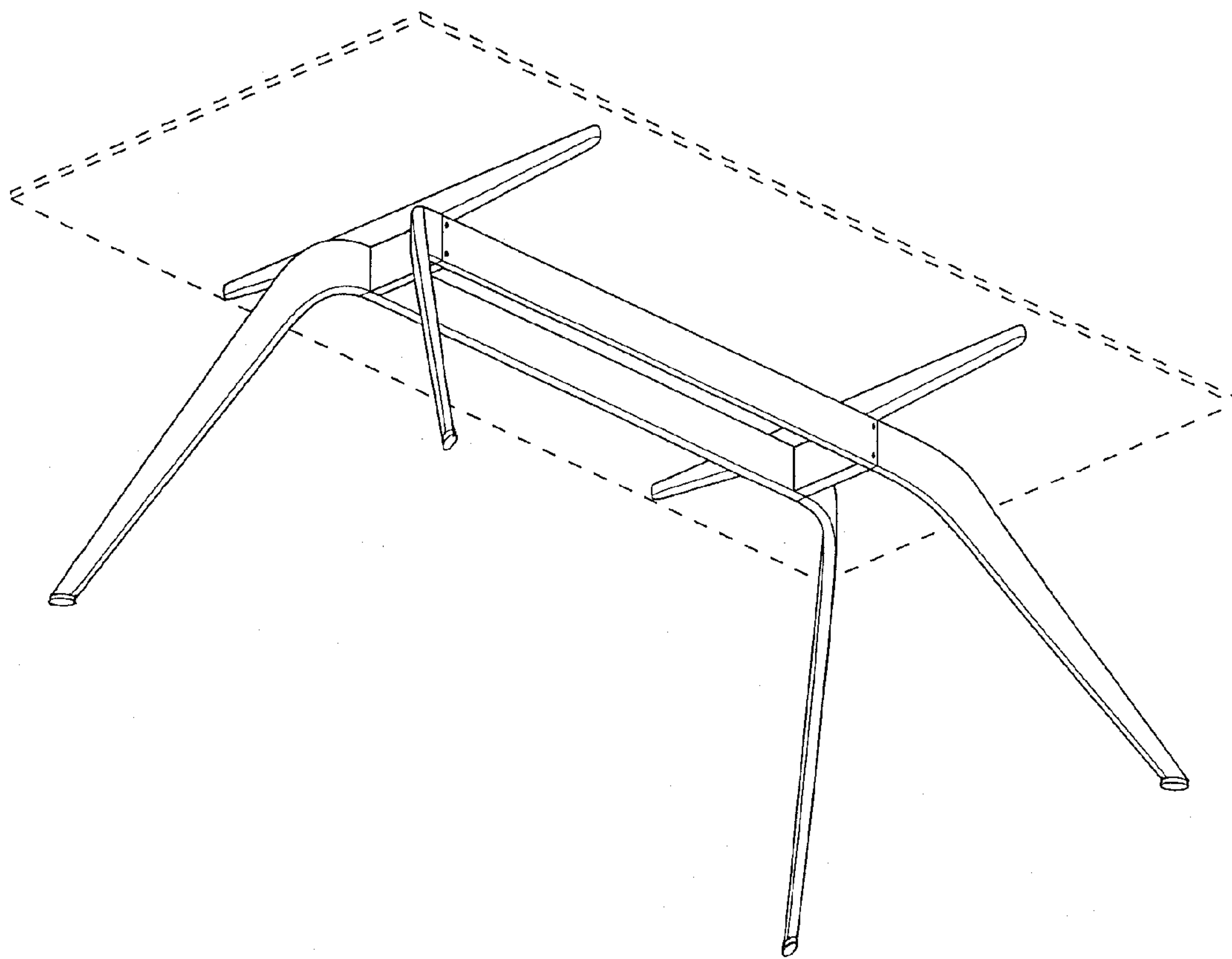


FIG. 2

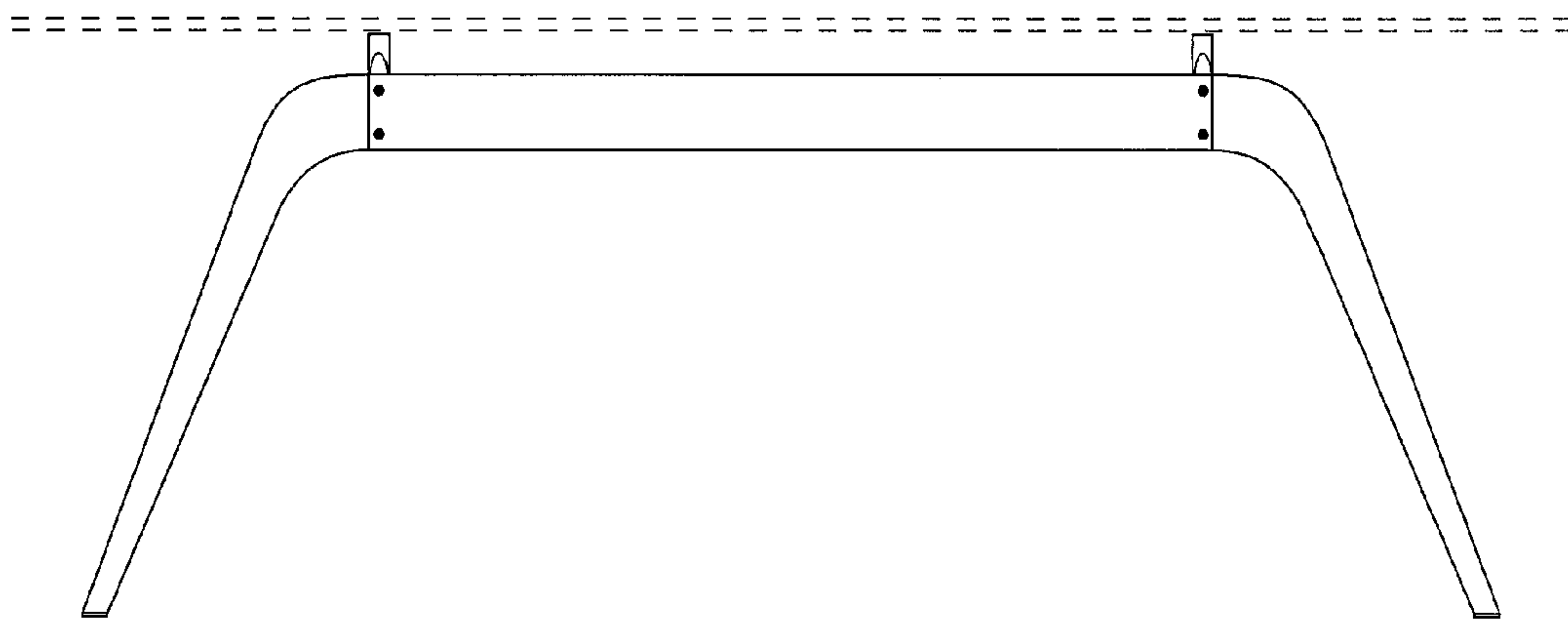


FIG. 3

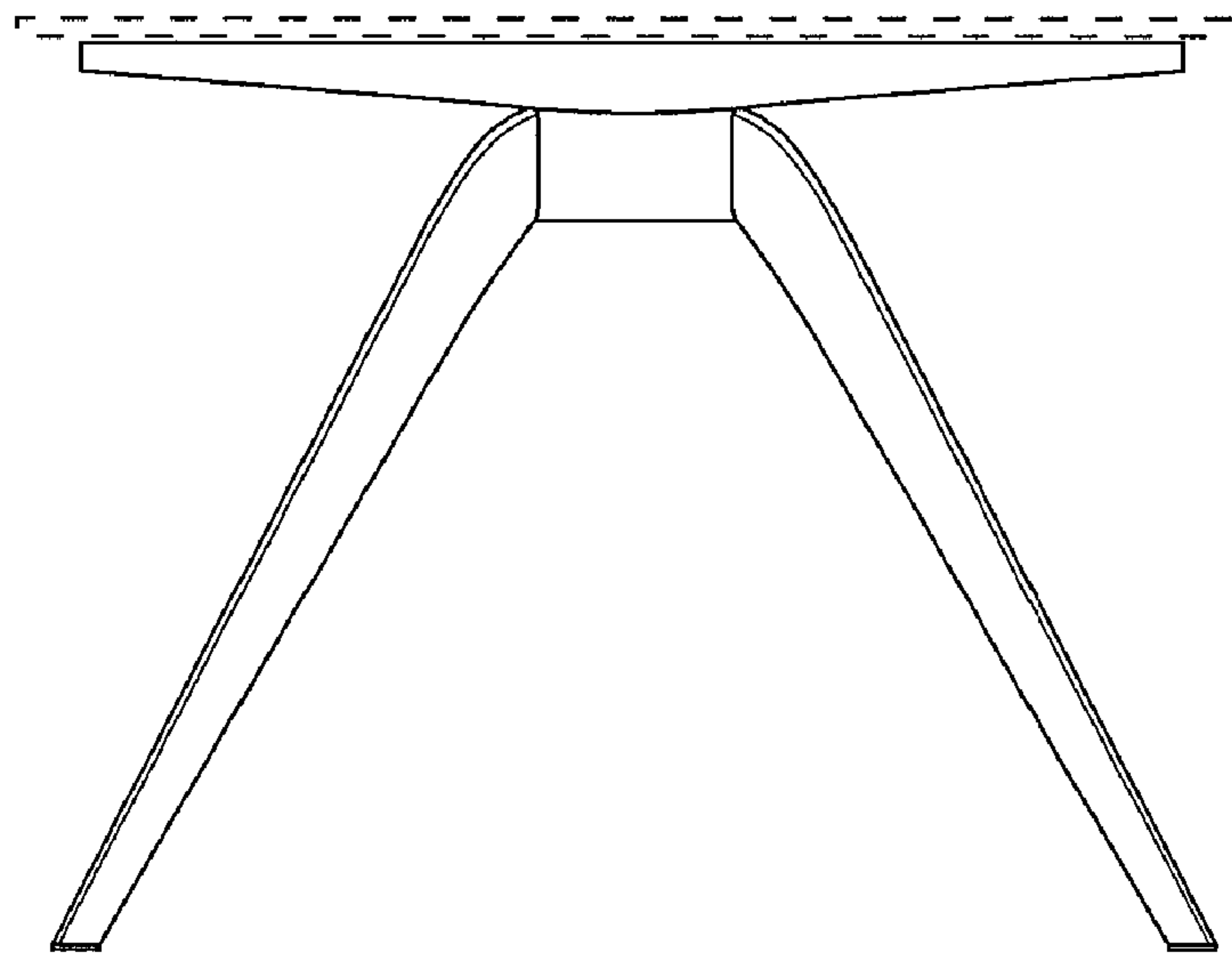


FIG. 4

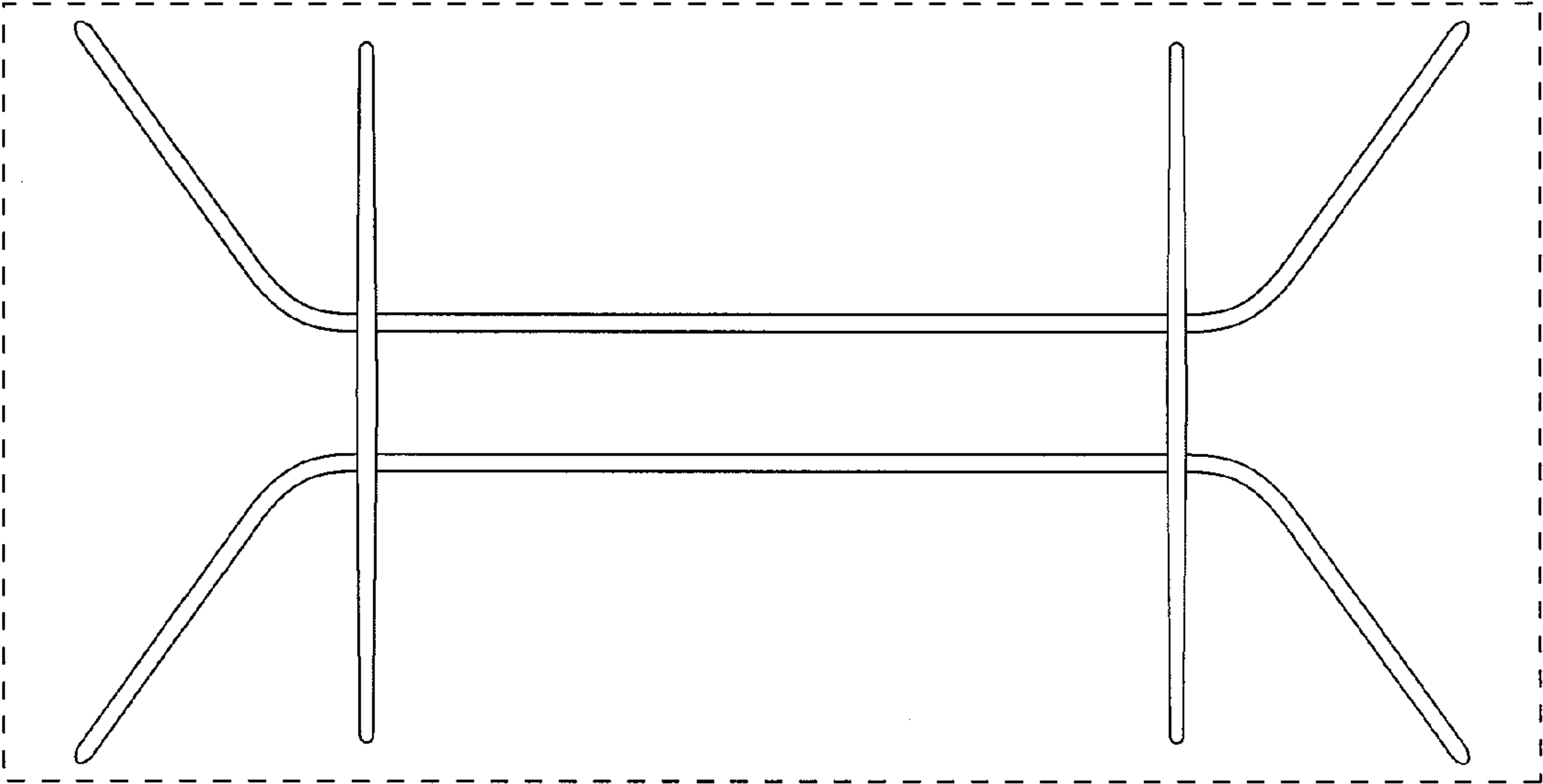


FIG. 5

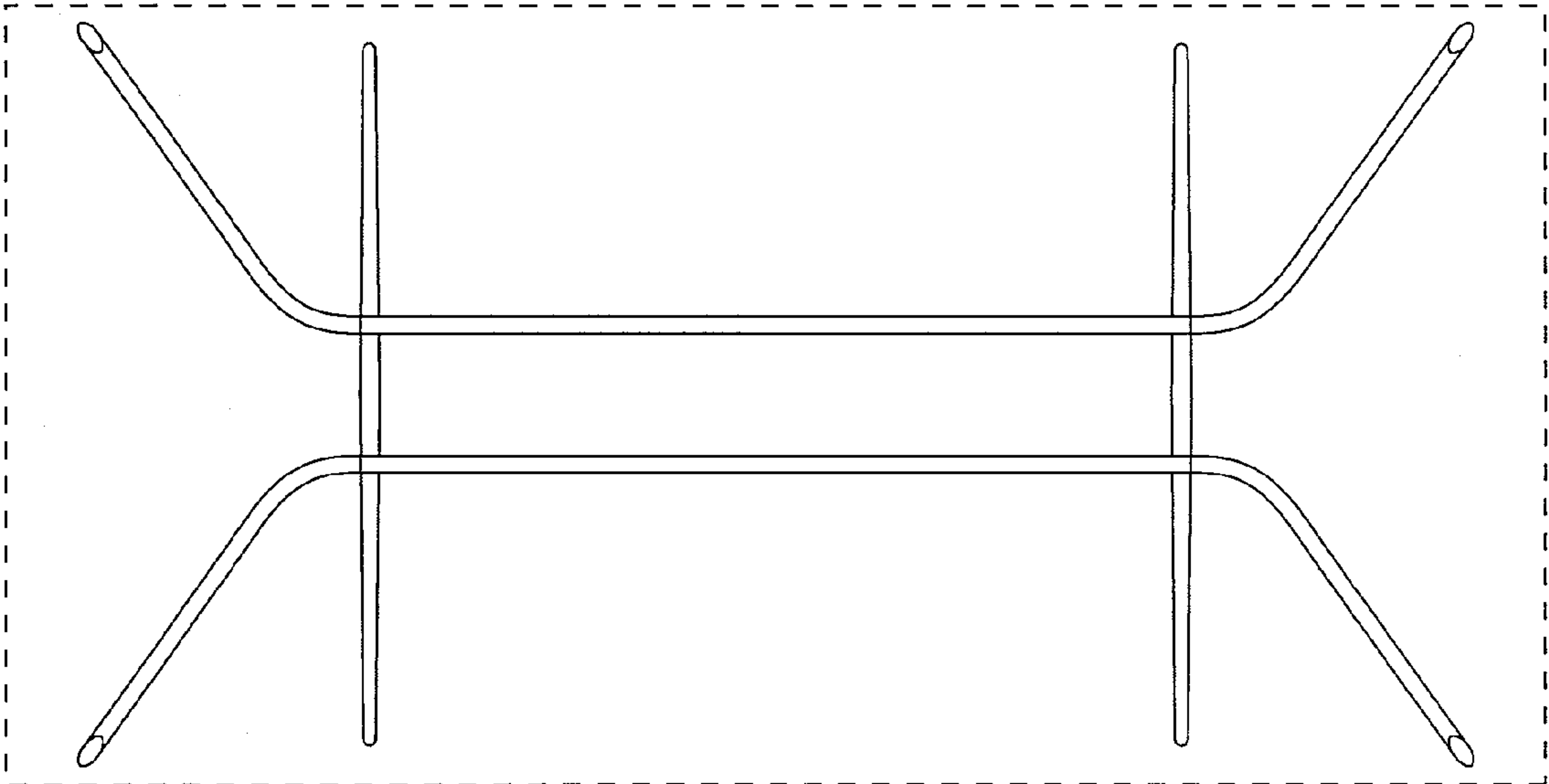


FIG. 6

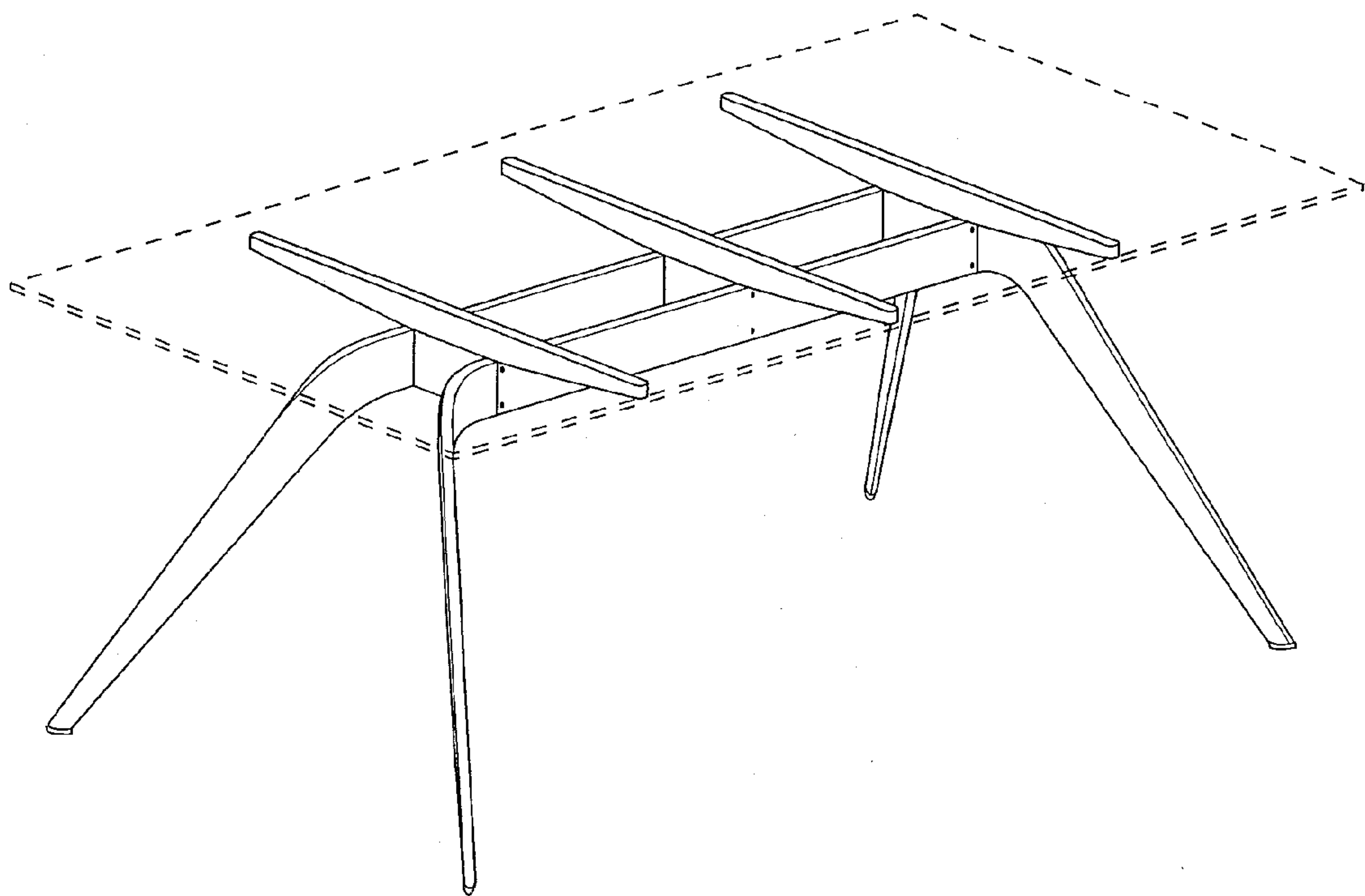


FIG. 7

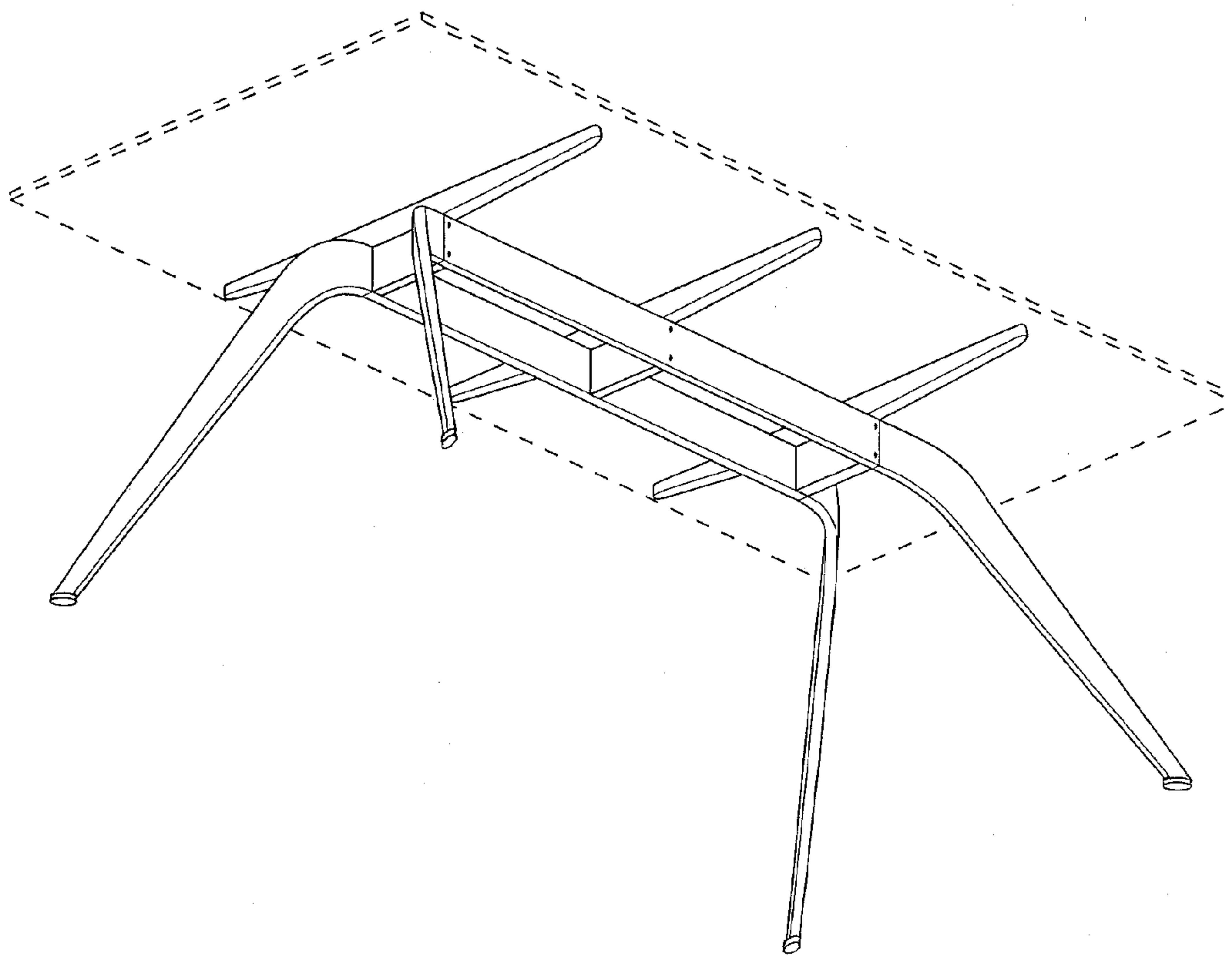


FIG. 8

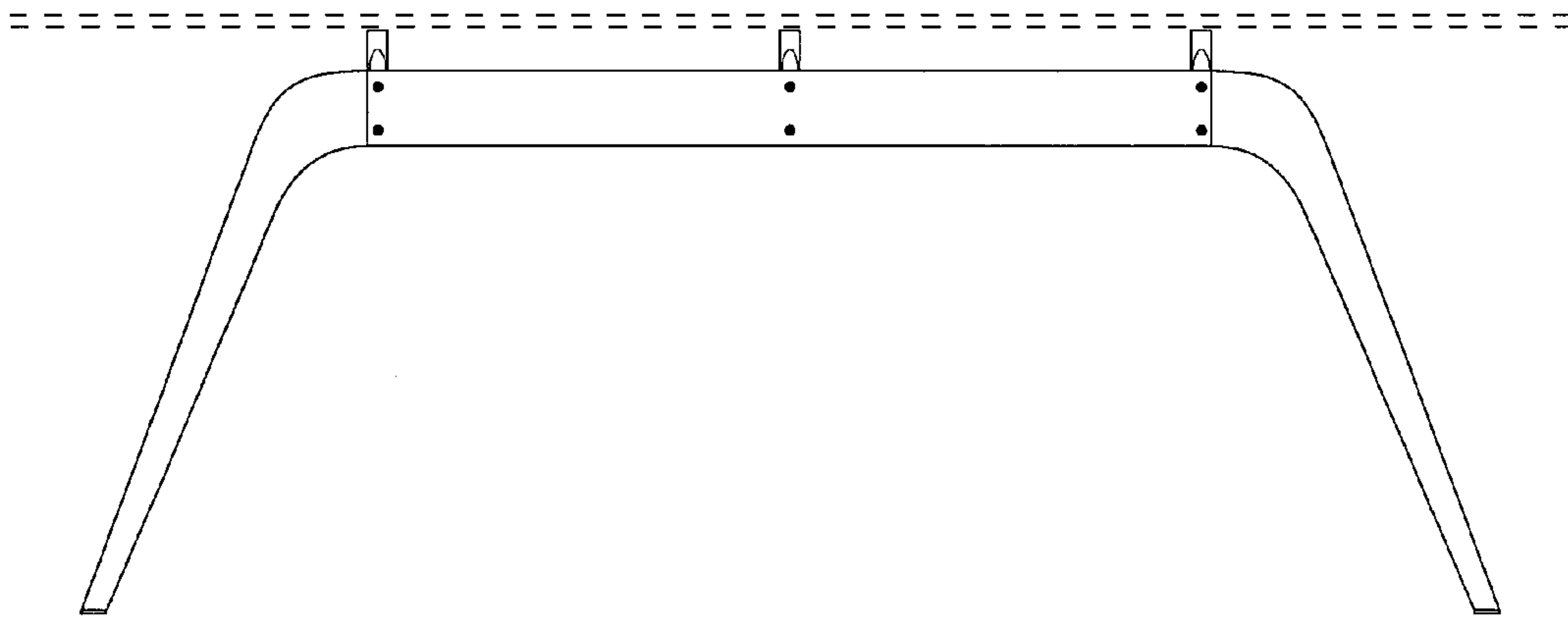


FIG. 9

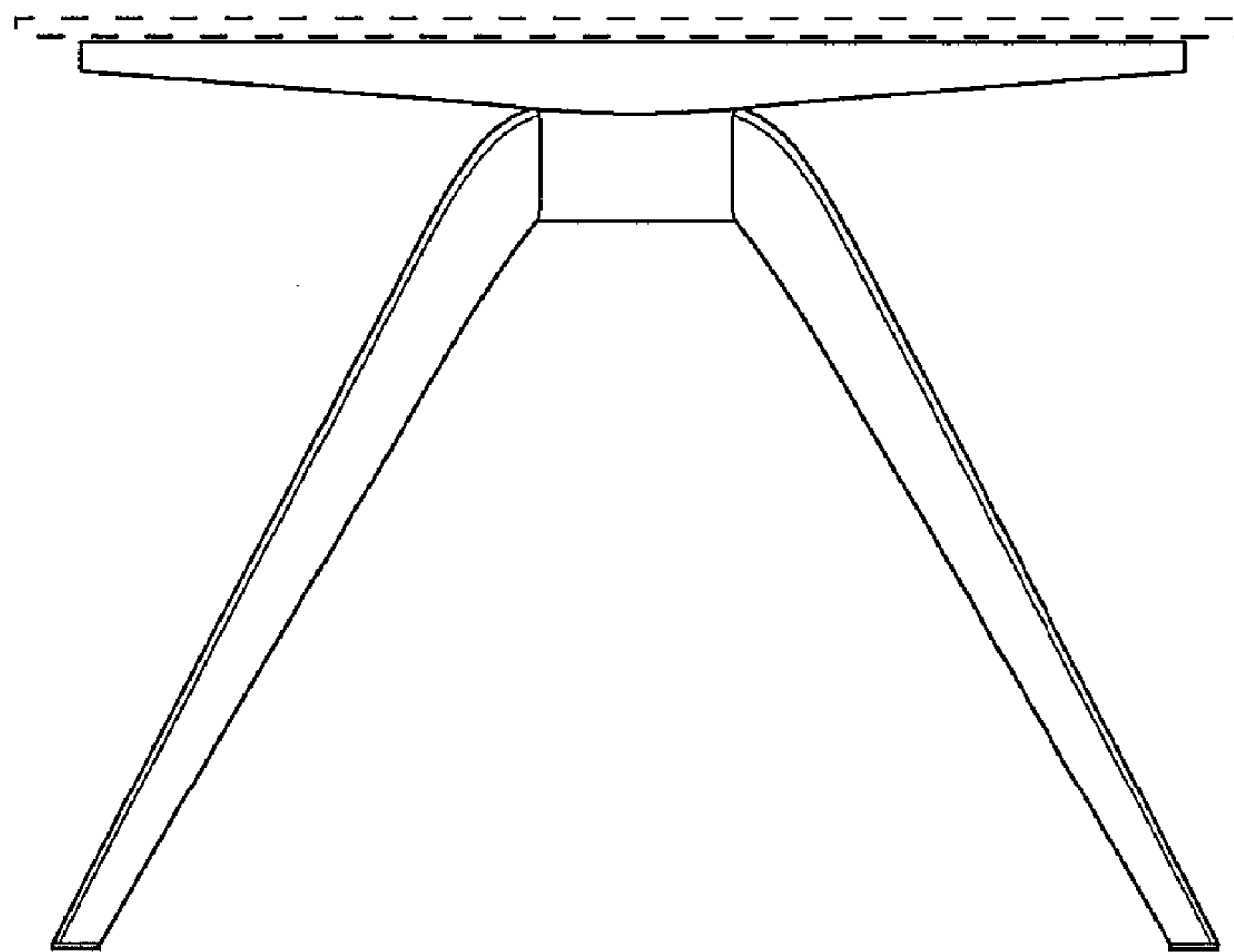


FIG. 10

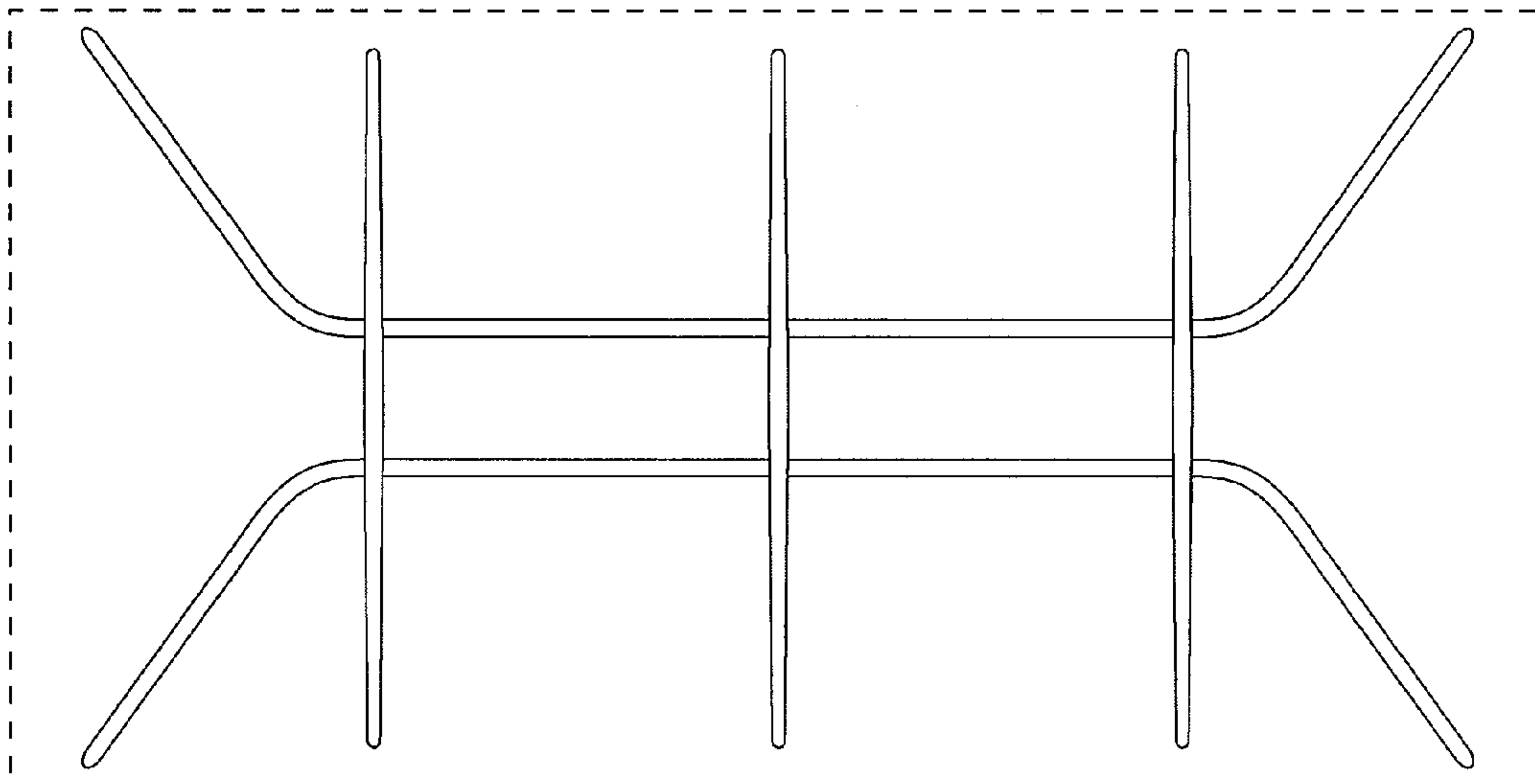


FIG. 11

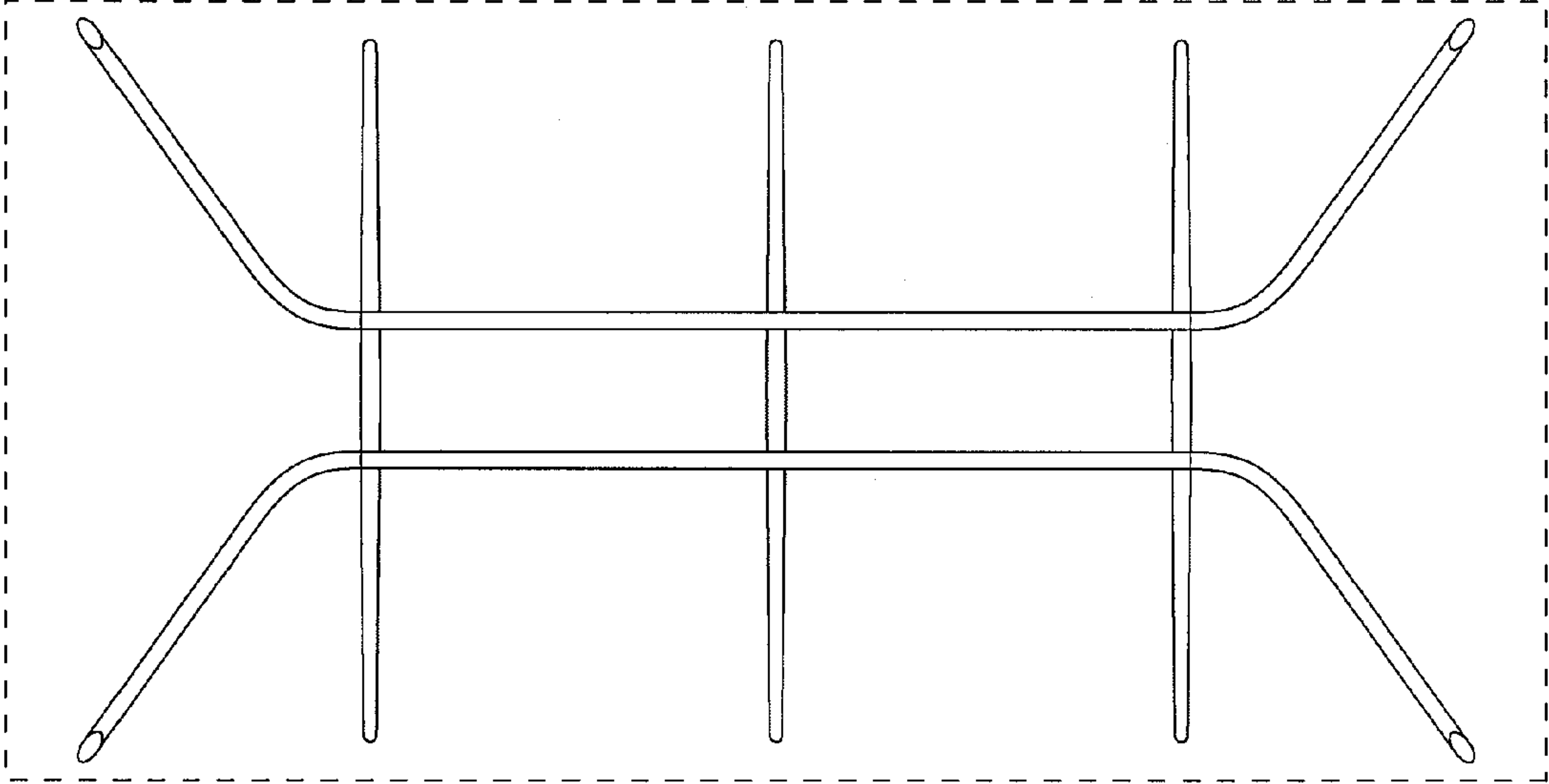


FIG. 12