



US00D591538S

(12) **United States Design Patent**
Branstad

(10) **Patent No.:** **US D591,538 S**

(45) **Date of Patent:** **** May 5, 2009**

(54) **SUPPORT STRUCTURE**

(75) Inventor: **Benjamin A. Branstad**, Monticello, MN (US)

(73) Assignee: **Interlock Structures International, Inc.**, Minneapolis, MN (US)

(**) Term: **14 Years**

(21) Appl. No.: **29/328,713**

(22) Filed: **Dec. 1, 2008**

(51) **LOC (9) Cl.** **06-04**

(52) **U.S. Cl.** **D6/491**

(58) **Field of Classification Search** D6/495,
D6/479, 449, 499, 480, 484, 486-487; D34/27;
108/153.1, 155-157.1, 161; 248/188, 188.1,
248/188.7

See application file for complete search history.

(56) **References Cited**

U.S. PATENT DOCUMENTS

3,764,261	A *	10/1973	Christman	432/258
D248,798	S *	8/1978	Driscoll	D6/484
4,905,822	A *	3/1990	Bosco	206/777
D327,987	S *	7/1992	Delmerico et al.	D6/349
D334,815	S *	4/1993	Bunger	D25/113
D335,979	S *	6/1993	Horwitz	D6/484
D473,397	S *	4/2003	Ong	D6/407
D475,220	S *	6/2003	Seki	D6/484
D479,119	S *	9/2003	Schipani et al.	D8/380

D483,200	S *	12/2003	Udommahuntisuk	D6/407
D490,616	S *	6/2004	Ljahnicky et al.	D6/329
D510,214	S *	10/2005	Tsao et al.	D6/495
D524,562	S *	7/2006	Franciosa	D6/349
D539,639	S *	4/2007	Nagle	D8/396
D557,796	S *	12/2007	Esjunin et al.	D23/422
D564,244	S *	3/2008	Ikaheimo	D6/349
D566,427	S *	4/2008	McConnell et al.	D6/475
D575,736	S *	8/2008	Foreman et al.	D13/119
D581,986	S *	12/2008	Evitt	D20/43
D582,698	S *	12/2008	Miyanouchi	D6/466
2005/0044810	A1 *	3/2005	Schipani et al.	52/636
2006/0010821	A1 *	1/2006	Schipani et al.	52/641

* cited by examiner

Primary Examiner—Elizabeth A Albert

Assistant Examiner—Kelley A Donnelly

(74) *Attorney, Agent, or Firm*—Altera Law Group, LLC

(57) **CLAIM**

The ornamental design for an support structure, as shown and described.

DESCRIPTION

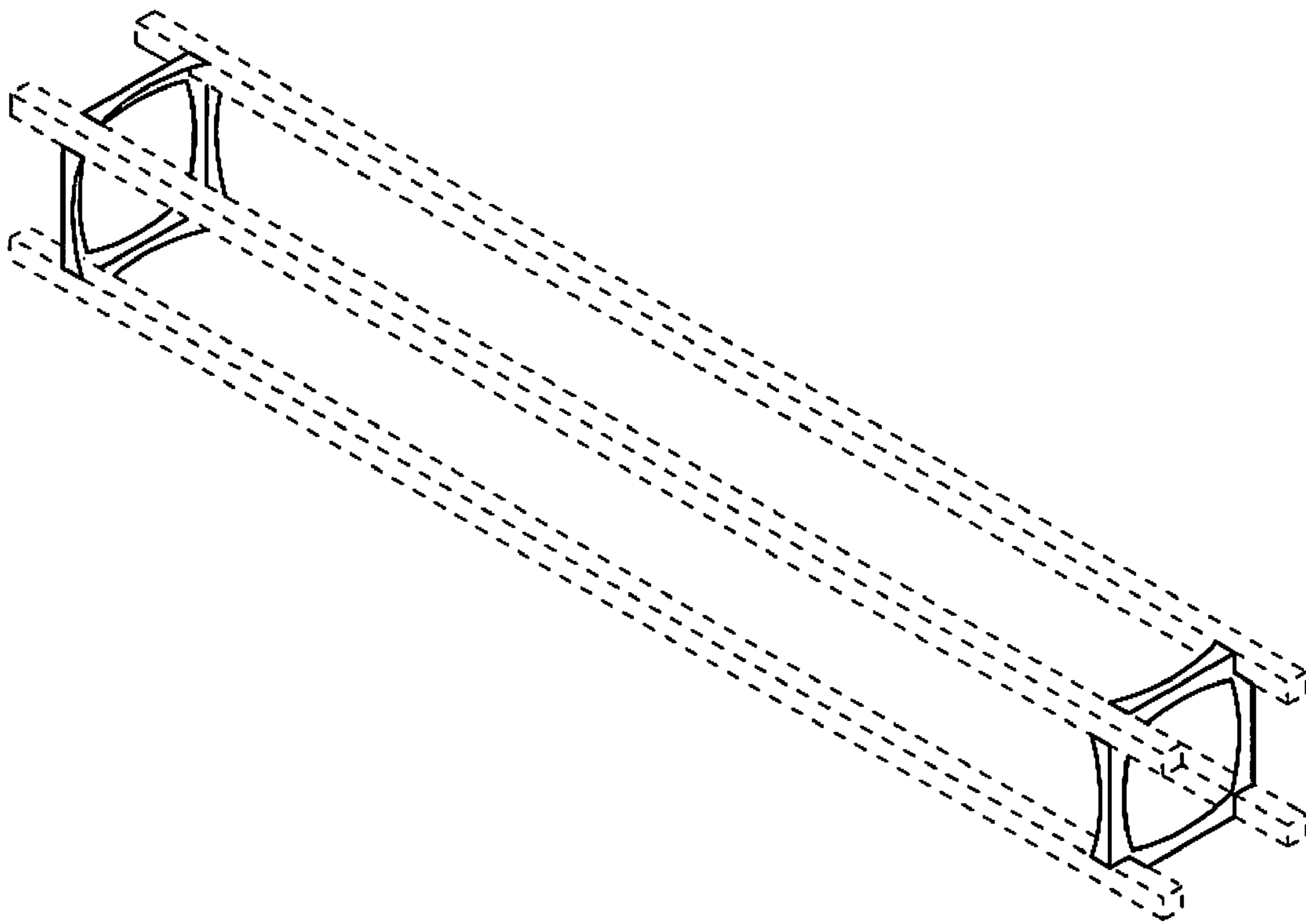
FIG. 1 is a top perspective view of a support structure;

FIG. 2 is a side view thereof; and,

FIG. 3 is a top plan view thereof.

The broken lines showing posts in FIGS. 1-3 are for environmental purposes only and form no part of the claimed design.

1 Claim, 2 Drawing Sheets



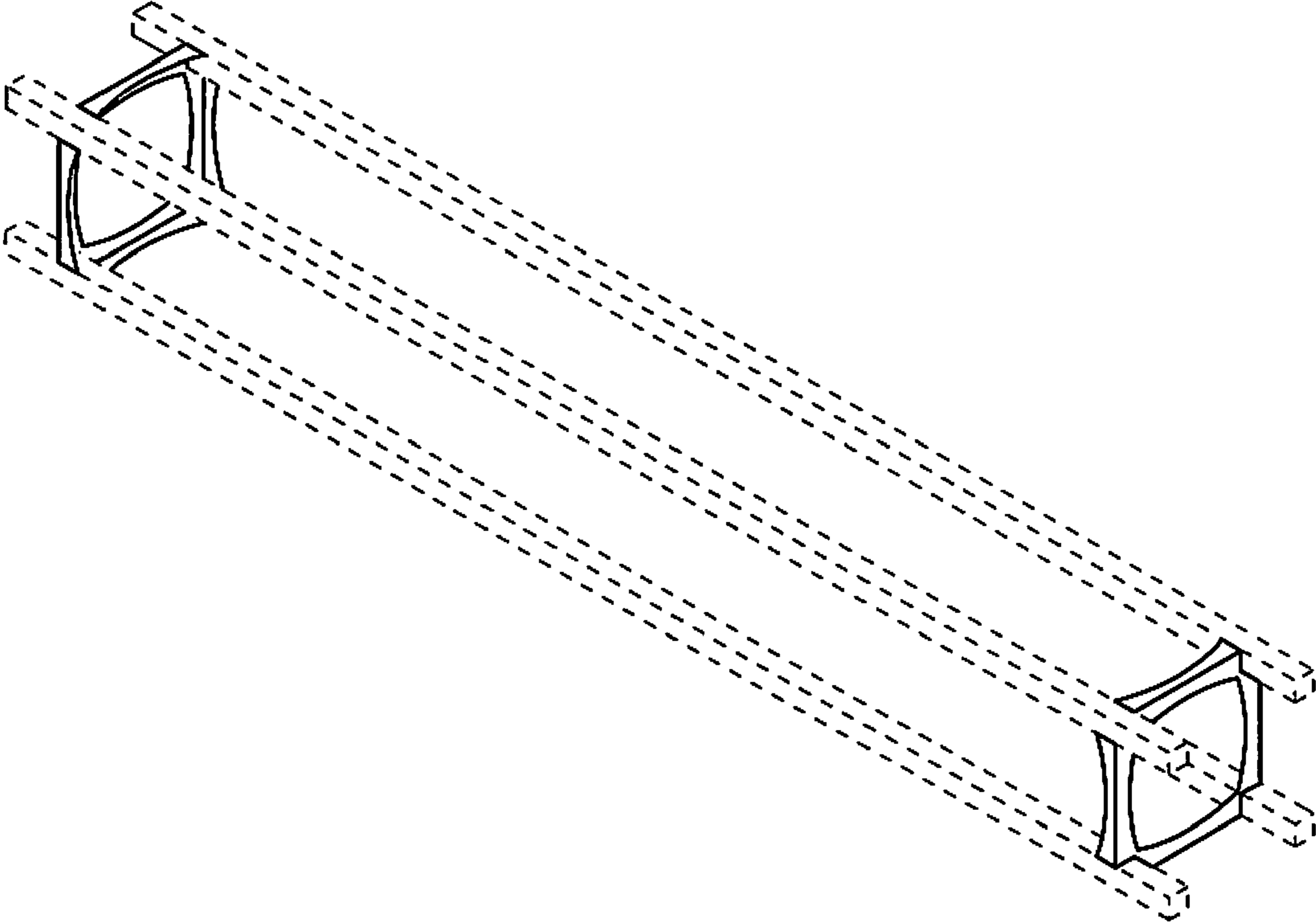


Fig. 1



Fig. 2

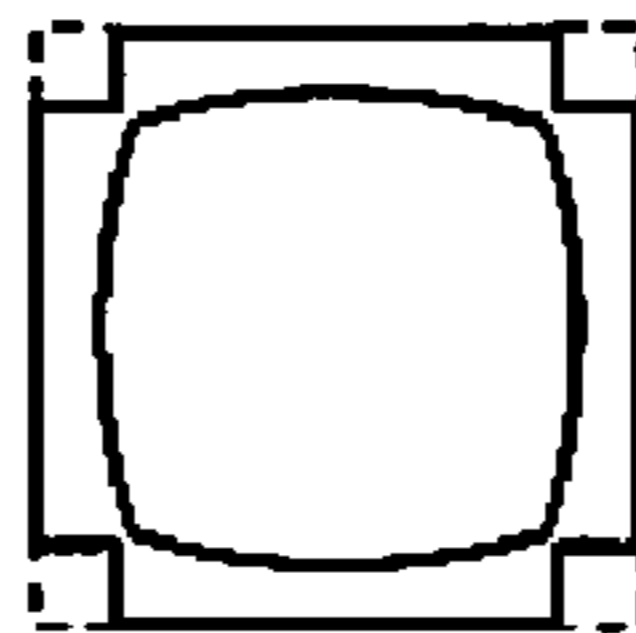


Fig. 3