



US00D591537S

(12) **United States Design Patent**  
**Zhang**

(10) **Patent No.:** **US D591,537 S**

(45) **Date of Patent:** **\*\* May 5, 2009**

(54) **COMPONENTS OF A CONVERTIBLE STOOL**

(75) Inventor: **Shouyun Zhang**, Chino Hills, CA (US)

(73) Assignee: **Larin Corporation**, Ontario, CA (US)

(\*\*) Term: **14 Years**

(21) Appl. No.: **29/326,855**

(22) Filed: **Oct. 24, 2008**

**Related U.S. Application Data**

(63) Continuation of application No. 11/561,302, filed on Nov. 17, 2006, which is a continuation of application No. 11/041,140, filed on Jan. 21, 2005, now Pat. No. 7,219,956.

(51) **LOC (9) Cl.** ..... **06-01**

(52) **U.S. Cl.** ..... **D6/491**

(58) **Field of Classification Search** ..... D6/334,  
D6/335, 349, 353, 368, 371, 377, 381, 382,  
D6/383, 500-503, 340, 366, 352, 491-499;  
297/16.1, 16.2, 34, 42, 44, 63, 232, 233,  
297/350, 351, 353, 354.1, 445.1, 448.1, 448.2;  
6/12.1, 12.2

See application file for complete search history.

(56) **References Cited**

**U.S. PATENT DOCUMENTS**

D169,696 S \* 5/1953 Reis et al. .... D6/352  
3,233,942 A 2/1966 Cruetz  
RE27,255 E 12/1971 Pierson, Jr.  
4,037,292 A 7/1977 Lapham  
D266,291 S \* 9/1982 Leffler et al. .... D6/366  
D266,292 S \* 9/1982 Leffler et al. .... D6/352  
D271,352 S \* 11/1983 De Boer ..... D6/349  
D275,156 S \* 8/1984 Carlin ..... D6/354  
4,469,372 A \* 9/1984 Long ..... 297/5  
4,621,804 A 11/1986 Mueller  
D289,708 S \* 5/1987 Rykken ..... D6/367  
D293,049 S \* 12/1987 Opsvik ..... D6/366

D308,439 S \* 6/1990 Van Winkle ..... D3/7  
D332,011 S \* 12/1992 Fahnstrom et al. .... D6/360  
5,439,269 A 8/1995 Cheng  
D375,425 S \* 11/1996 Gale ..... D6/502  
D378,714 S \* 4/1997 Beaulieu ..... D6/366  
5,964,436 A 10/1999 Battey et al.  
6,003,944 A 12/1999 Glockl  
6,095,464 A 8/2000 De Rées  
6,116,690 A 9/2000 Larson  
D433,854 S \* 11/2000 Diffrient ..... D6/502  
6,142,571 A 11/2000 Benden  
6,149,239 A 11/2000 Markussen et al.  
6,419,319 B1 7/2002 Sakurai  
6,481,795 B1 11/2002 Pettibon  
6,607,246 B1 8/2003 Benden  
6,626,404 B2 9/2003 Kleinikel et al.  
6,637,072 B2 10/2003 Footitt et al.  
6,648,417 B1 11/2003 Gilbert et al.  
6,695,407 B1 2/2004 Lin  
6,709,052 B2 3/2004 Jalkanen  
D488,630 S \* 4/2004 McCann ..... D6/366

(Continued)

*Primary Examiner*—Sandra Snapp

(74) *Attorney, Agent, or Firm*—Greenberg Traurig LLP

(57) **CLAIM**

The ornamental design for components of a convertible stool, as shown and described.

**DESCRIPTION**

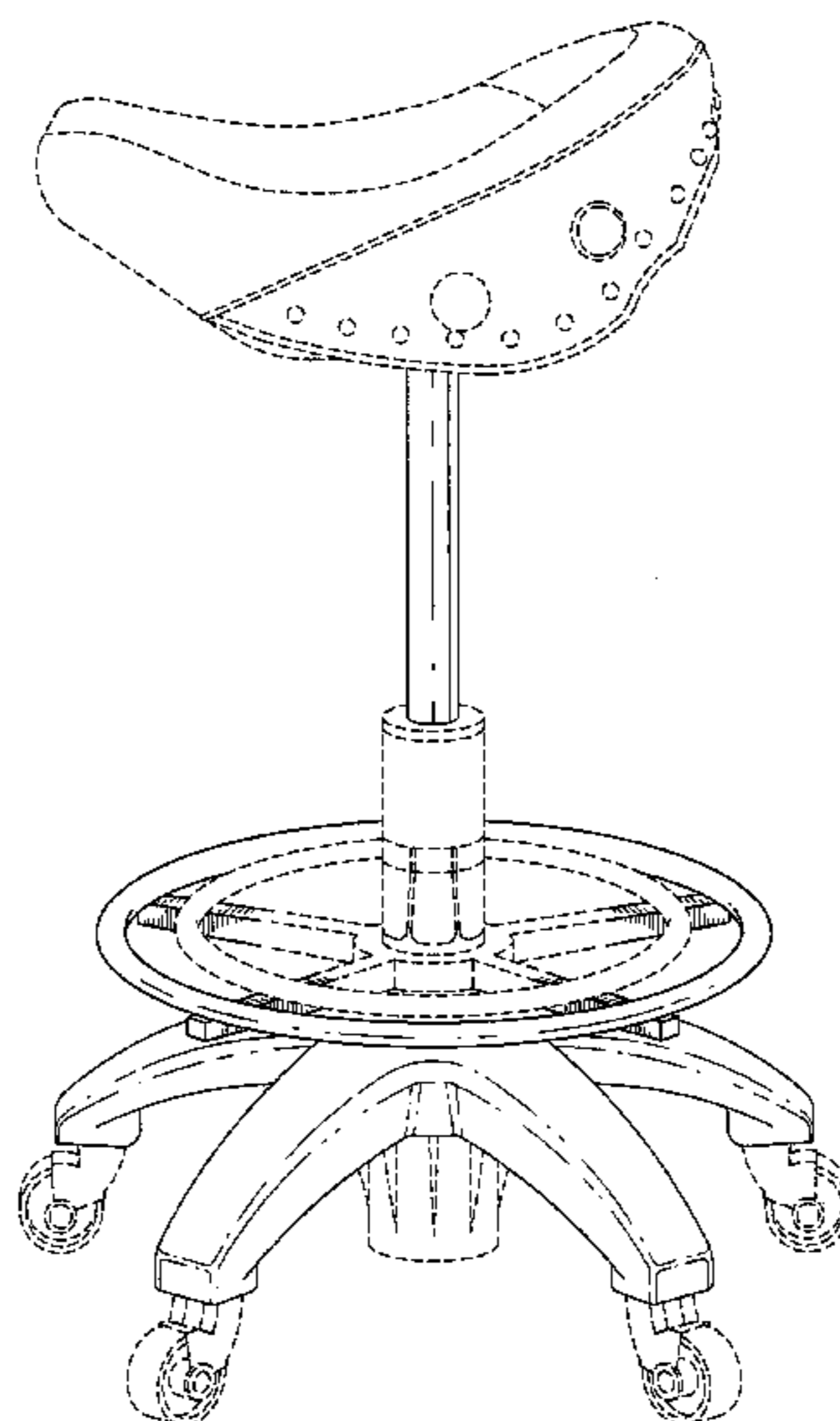
FIG. 1 is a perspective view of a first embodiment of the components of a convertible stool.

FIG. 2 is a perspective view of an alternative embodiment of the components of a convertible stool; and,

FIG. 3 is a perspective view of the components of a convertible stool with the circular footrest removed for ease of illustration of the embodiments of FIG. 1 and FIG. 2.

Broken lines are for illustrative purposes only and form no part of the claimed design.

**1 Claim, 3 Drawing Sheets**



# US D591,537 S

Page 2

---

## U.S. PATENT DOCUMENTS

D507,893 S *	8/2005	Glass et al. ....	D6/360	D577,230 S *	9/2008	Haaksma .....	D6/500
D509,076 S *	9/2005	Beck .....	D6/354	D579,677 S *	11/2008	Zhou et al. ....	D6/349
7,036,886 B2	5/2006	Benden		2002/0163231 A1 *	11/2002	Hoshino .....	297/195.1
7,219,956 B2 *	5/2007	Zhang .....	297/195.11	2003/0151291 A1	8/2003	Lin et al.	
D544,918 S *	6/2007	Kanbar .....	D19/89	2004/0206864 A1	10/2004	McAnulty	
D558,494 S *	1/2008	Georgeovich .....	D6/502	2006/0102816 A1	5/2006	Zhang	
D575,540 S *	8/2008	Goldberg et al. ....	D6/349	2008/0093896 A1	4/2008	Zhang	

\* cited by examiner

**FIG. 1**

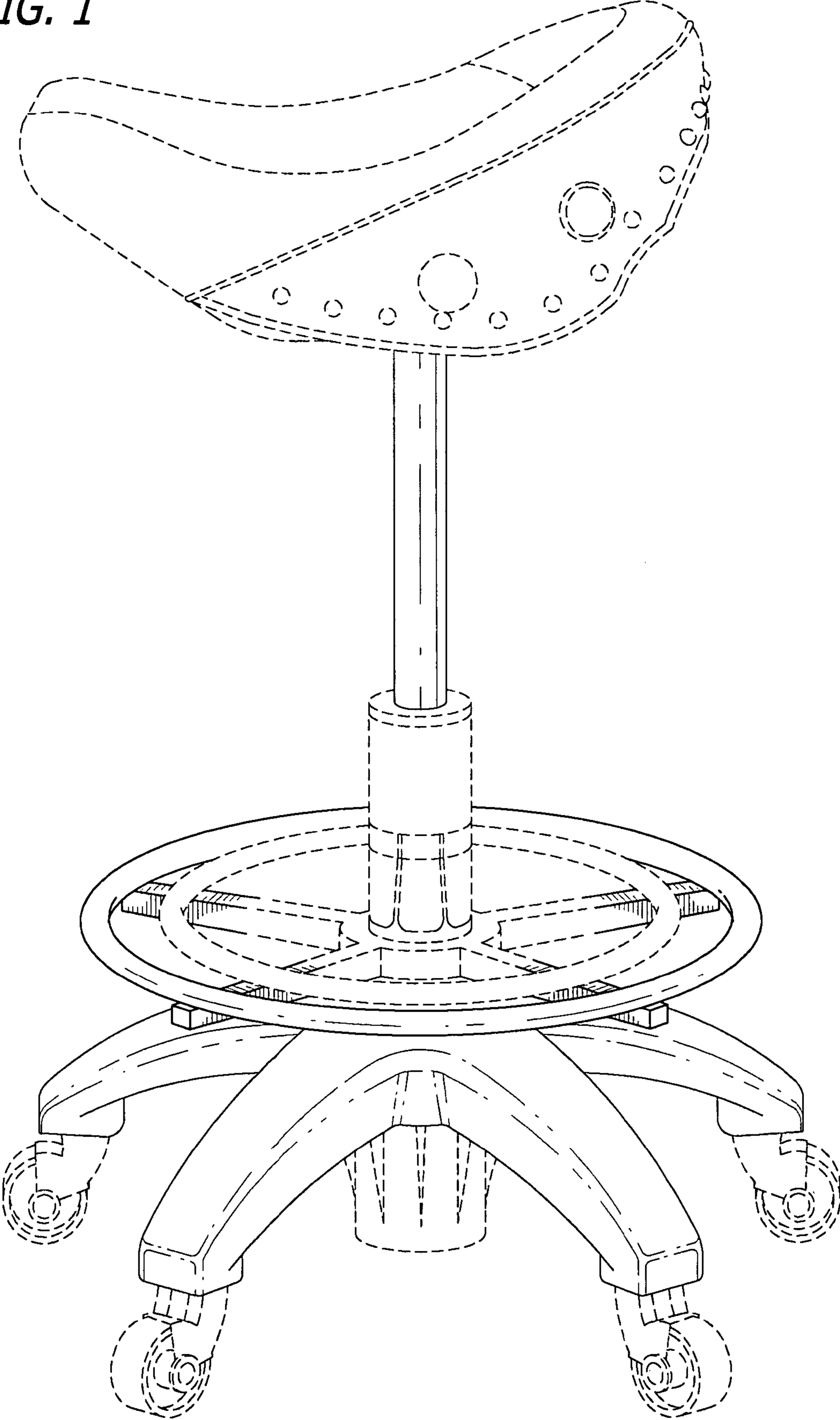
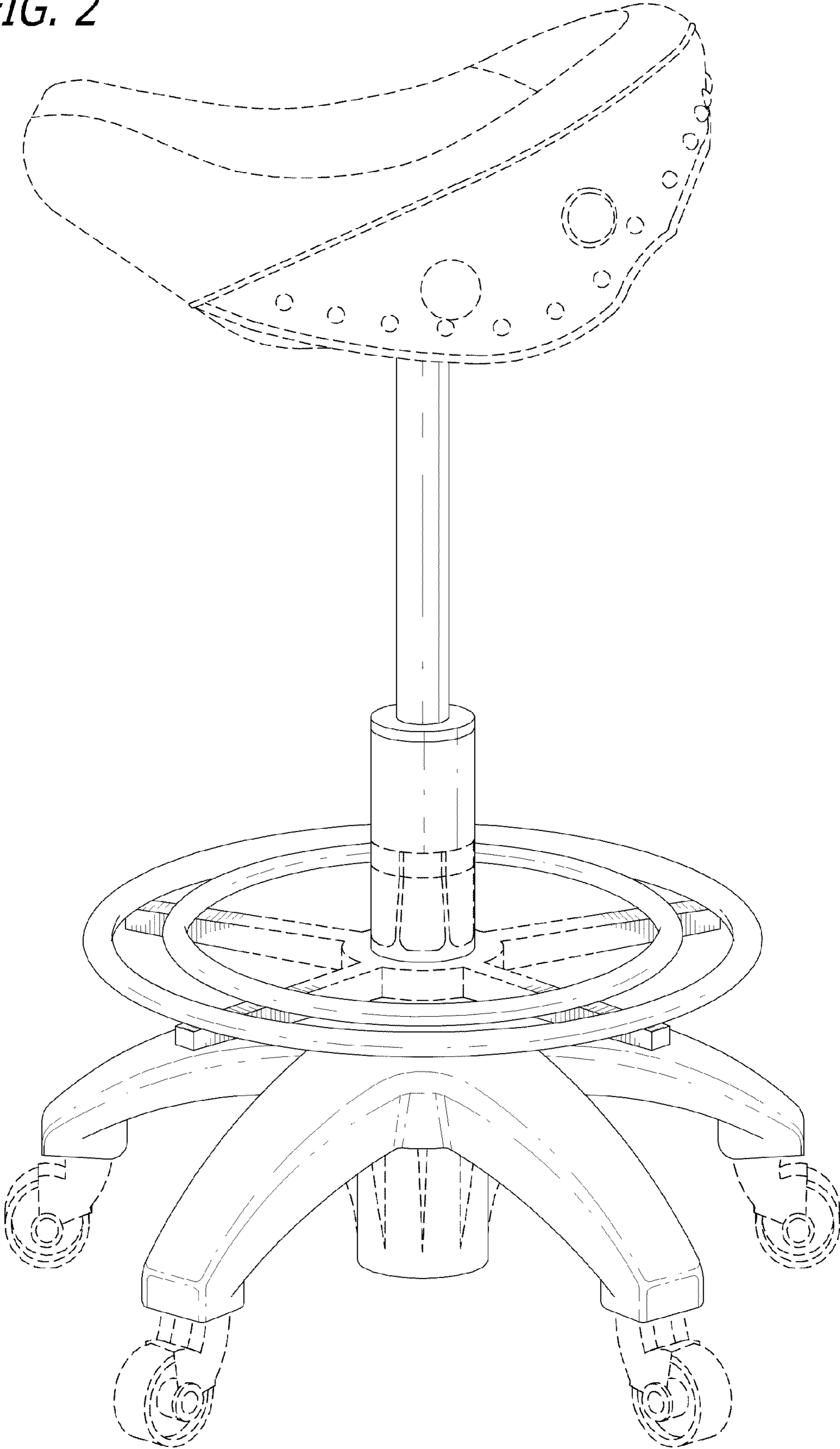


FIG. 2



*FIG. 3*

