



US00D591532S

(12) **United States Design Patent**
Kim

(10) **Patent No.:** **US D591,532 S**

(45) **Date of Patent:** **** May 5, 2009**

(54) **COOLED SHOW CASE HAVING ROUNDED EDGE**

(76) Inventor: **Brian S. Kim**, 7004 Calle Del Pajarito, Rancho Palos Verdes, CA (US) 90275

(**) Term: **14 Years**

(21) Appl. No.: **29/317,607**

(22) Filed: **May 2, 2008**

(51) **LOC (9) Cl.** **06-04**

(52) **U.S. Cl.** **D6/472**

(58) **Field of Classification Search** D6/396, D6/397, 432-448, 470-472; 312/114, 116, 312/138.1, 234, 236, 401; D15/81-85; 62/246
See application file for complete search history.

(56) **References Cited**

U.S. PATENT DOCUMENTS

D3,602 S *	8/1869	Winter	D6/472
D147,818 S *	11/1947	Silveira	D6/472
D268,069 S *	3/1983	Milstein	D6/472
D279,413 S *	6/1985	Balducci	D6/472
D290,667 S *	7/1987	De Zolt	D6/472
D294,315 S *	2/1988	Jakubowski	D6/472
D298,093 S *	10/1988	Francis	D6/472

D303,595 S *	9/1989	Thompson et al.	D6/472
D351,298 S *	10/1994	Gelinas	D6/472
D413,459 S *	9/1999	Evdokimoff	D6/472
D430,173 S *	8/2000	Tombs	D15/85
D478,744 S *	8/2003	Ohtake	D6/471
D499,280 S *	12/2004	Ohtake	D6/471

* cited by examiner

Primary Examiner—Mimosa De

(74) *Attorney, Agent, or Firm*—John K. Park; Park Law Firm

(57) **CLAIM**

The ornamental design for a cooled show case having rounded edge, as shown and described.

DESCRIPTION

FIG. 1 is a perspective view of a cooled show case having rounded edge showing my new design;

FIG. 2 is a front plan view thereof;

FIG. 3 is a rear elevational view thereof;

FIG. 4 is a side elevational view thereof;

FIG. 5 is a top plan view thereof; and,

FIG. 6 is a bottom plan view thereof.

1 Claim, 3 Drawing Sheets

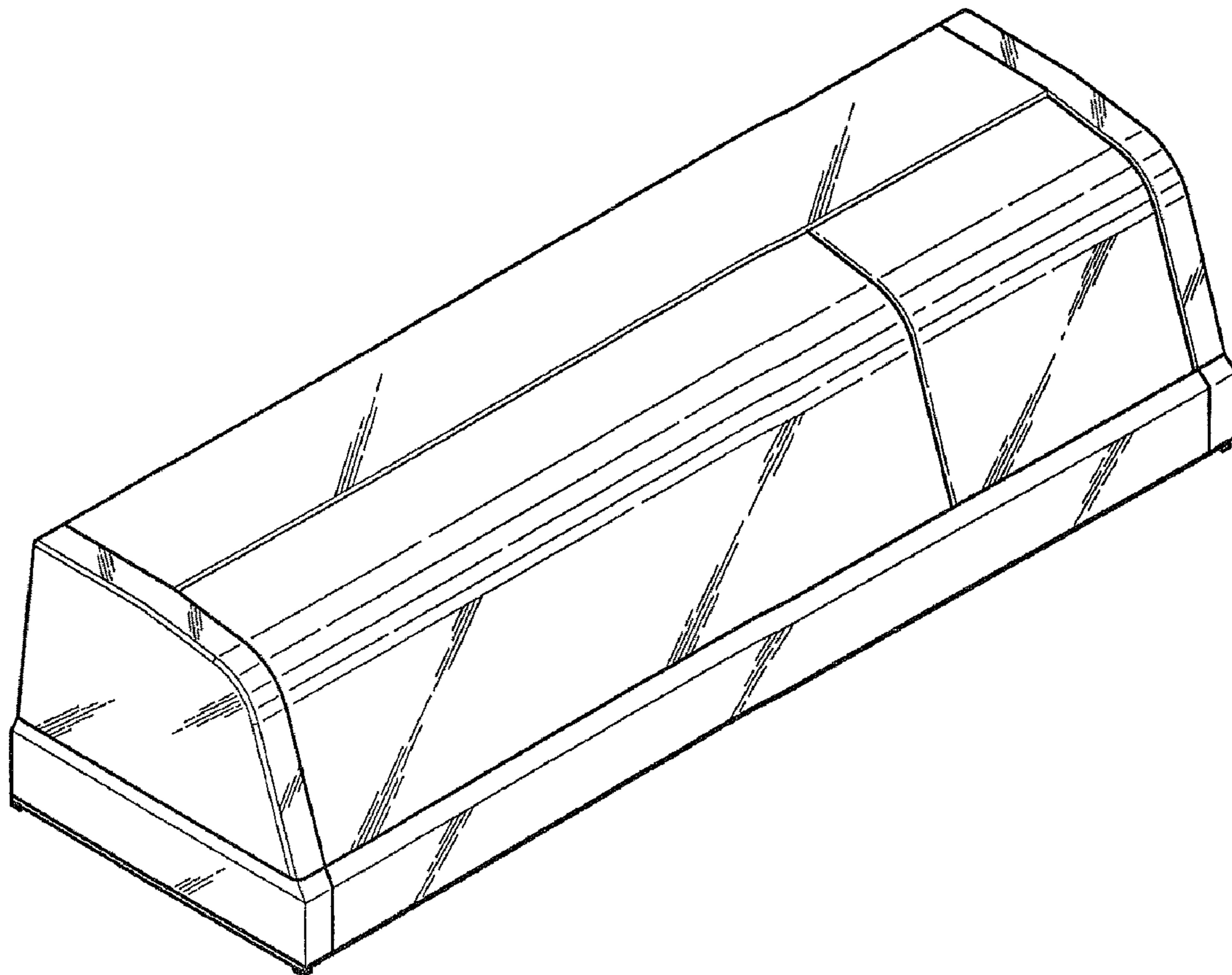


FIG. 1

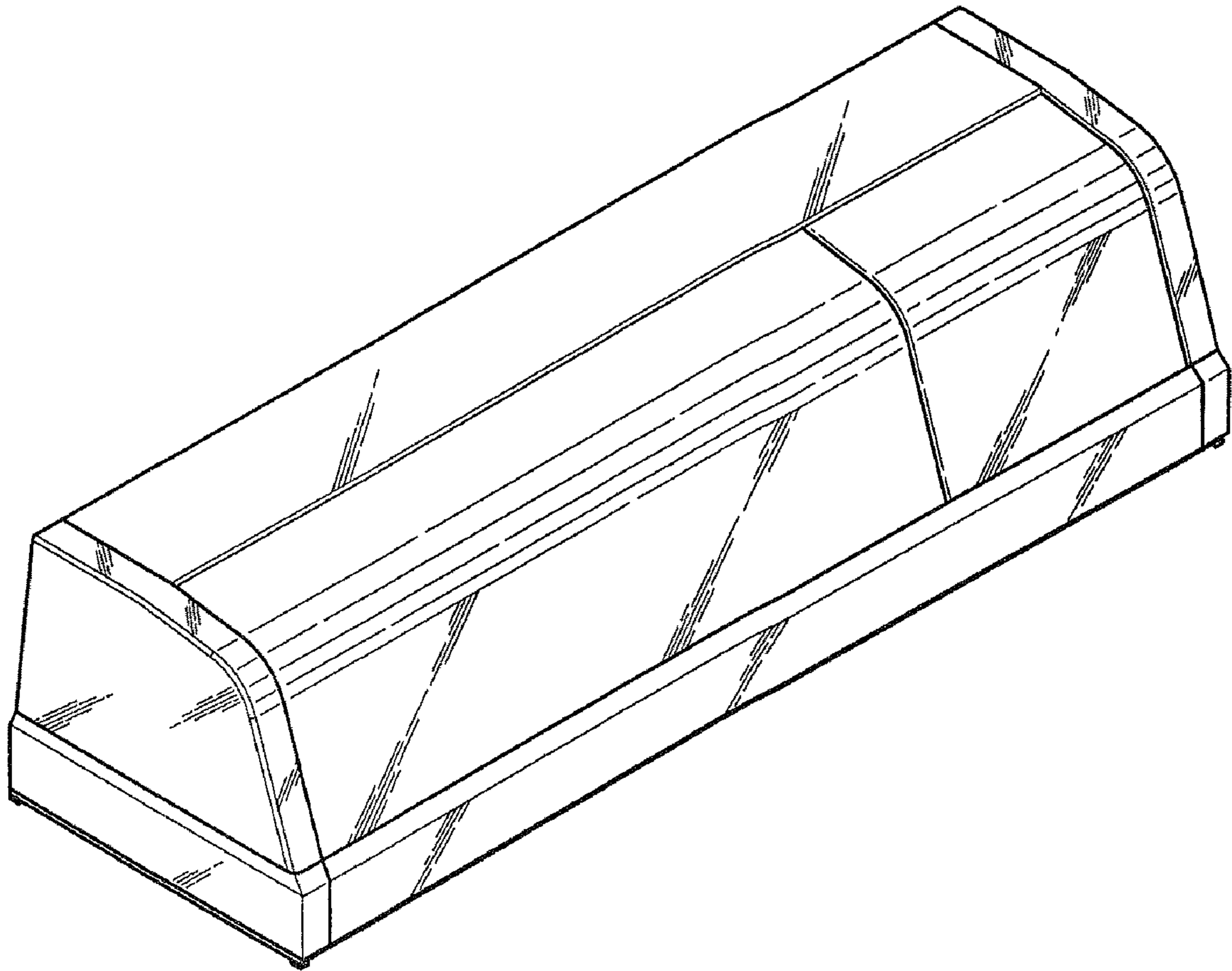


FIG. 2

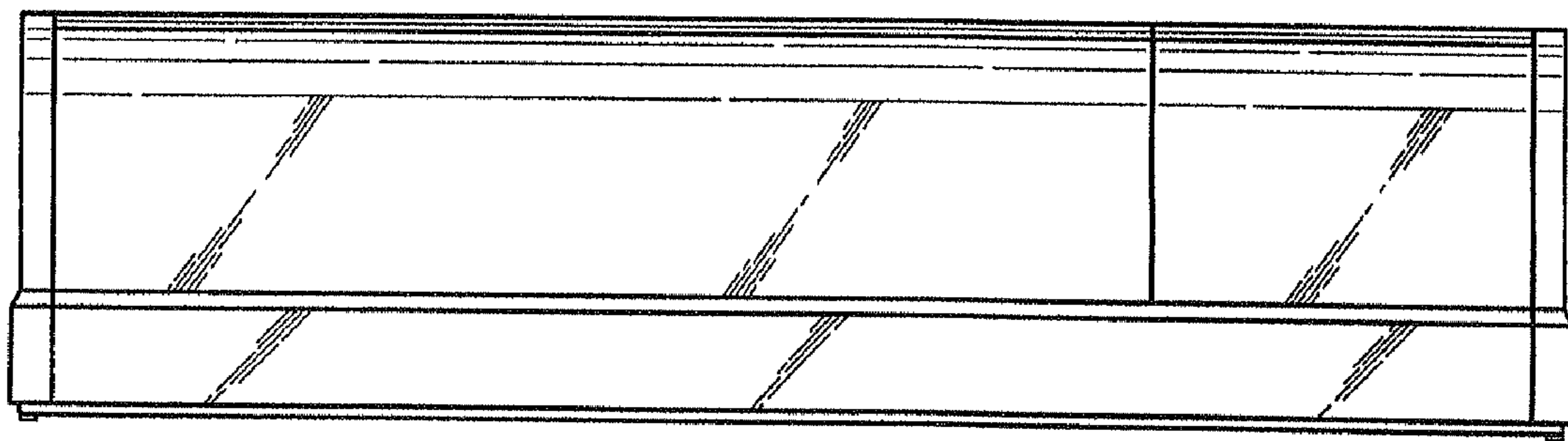


FIG. 3

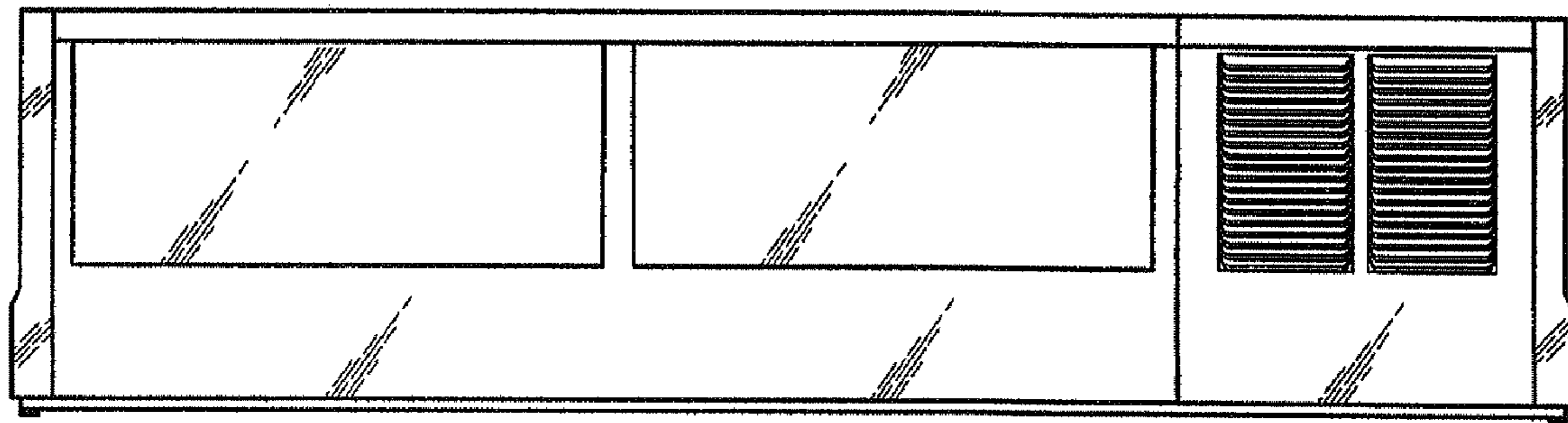


FIG. 4

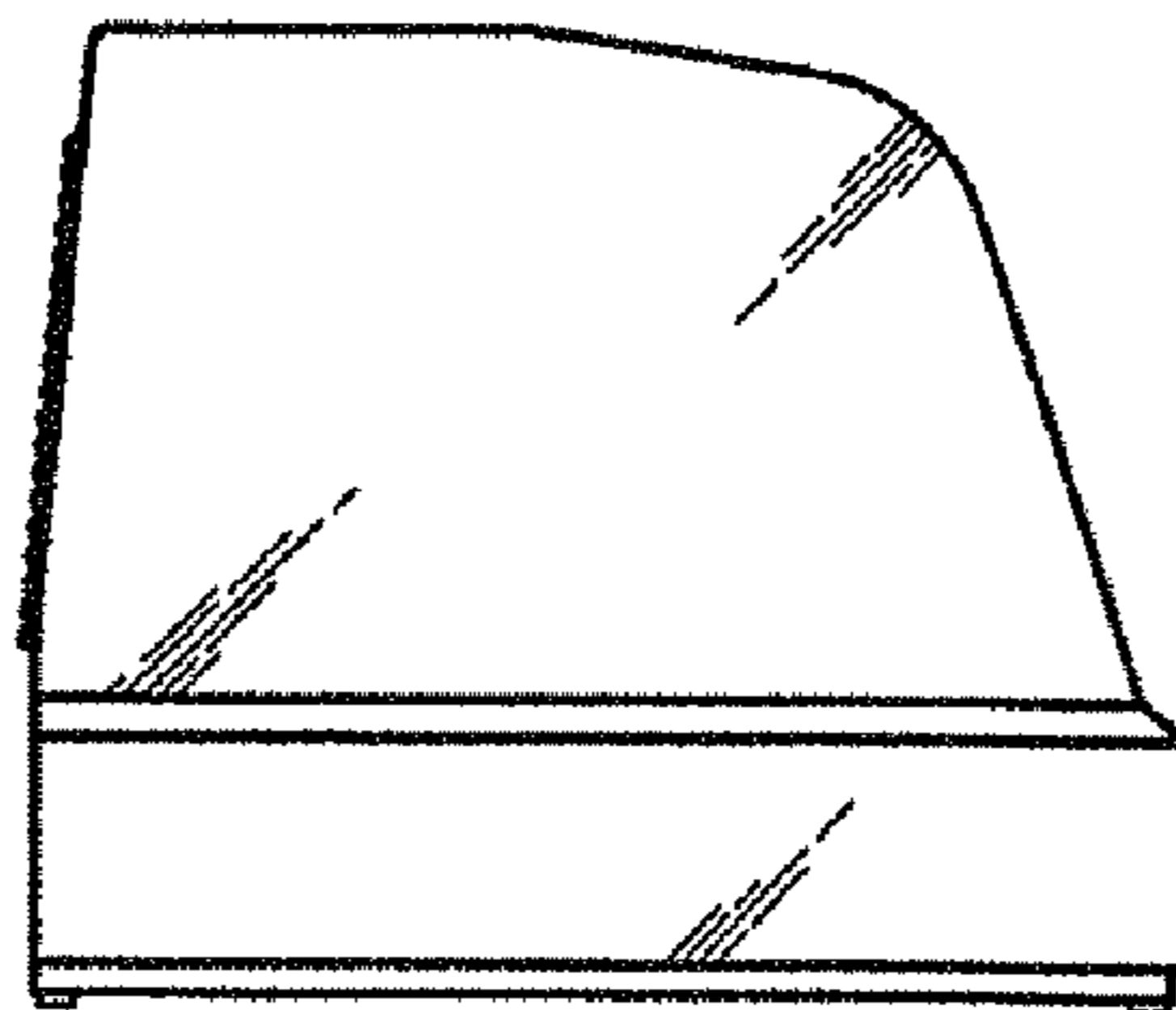


FIG. 5

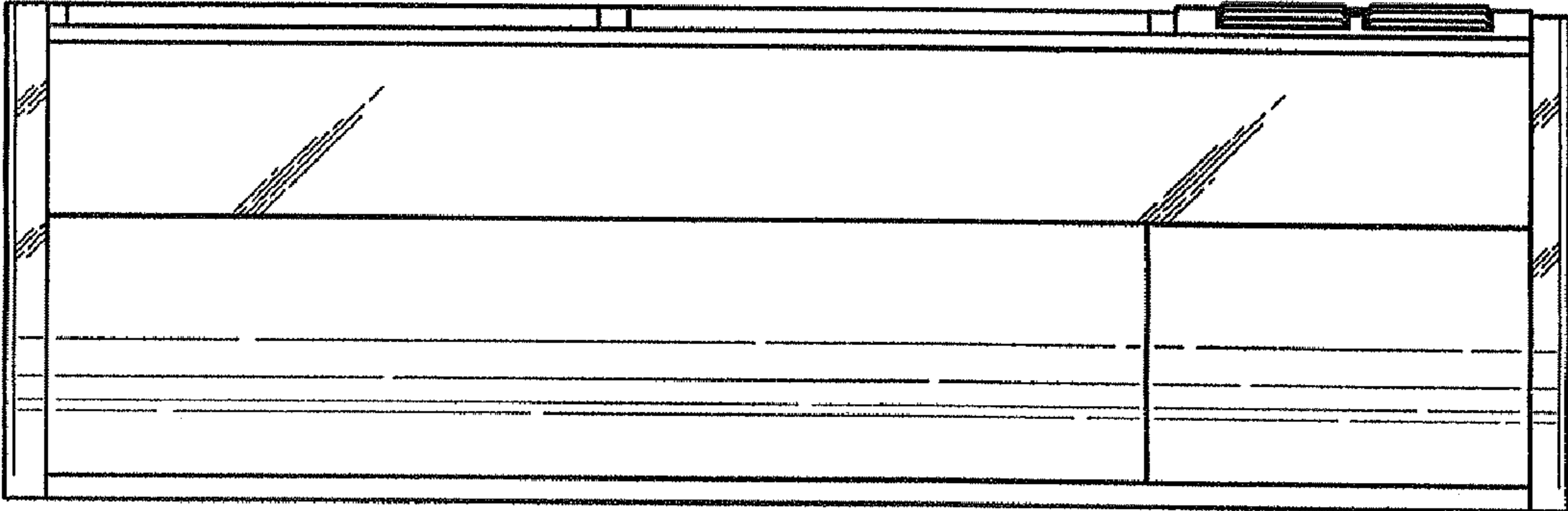


FIG. 6

