



US00D591523S

(12) **United States Design Patent**  
**White, III et al.**

(10) **Patent No.:** **US D591,523 S**  
(45) **Date of Patent:** **\*\* May 5, 2009**

(54) **LOUNGE CHAIR**

(75) Inventors: **William Bew White, III**, Birmingham, AL (US); **Robert Earl Taunton**, Sterrett, AL (US)

(73) Assignee: **Summer Classics, Inc.**, Montevallo, AL (US)

(\*\*) Term: **14 Years**

(21) Appl. No.: **29/308,747**

(22) Filed: **Jul. 3, 2008**

(51) **LOC (9) Cl.** ..... **06-01**

(52) **U.S. Cl.** ..... **D6/370; D6/379**

(58) **Field of Classification Search** ..... D6/334-336, D6/369, 370, 374, 375, 376, 379, 380, 381, D6/500-502; 297/411.43, 445.1, 446.1, 297/452.63, 452.64

See application file for complete search history.

(56) **References Cited**

**U.S. PATENT DOCUMENTS**

D426,716 S *	6/2000	Hutton	.....	D6/370
D449,745 S *	10/2001	Slear	.....	D6/370
D511,901 S *	11/2005	Mohundro	.....	D6/380
D512,234 S *	12/2005	Spector et al.	.....	D6/370
D524,566 S *	7/2006	Lowsky	.....	D6/370
D525,799 S *	8/2006	Lowsky	.....	D6/379
D572,494 S *	7/2008	Lowsky	.....	D6/370

D574,620 S *	8/2008	Lowsky	.....	D6/370
D574,621 S *	8/2008	Lowsky	.....	D6/380
D575,072 S *	8/2008	Lowsky	.....	D6/370

\* cited by examiner

*Primary Examiner*—Mimosa De

(74) *Attorney, Agent, or Firm*—Richard A. Cusick

(57) **CLAIM**

The ornamental design for a lounge chair, as shown and described.

**DESCRIPTION**

FIG. 1 is a perspective view of a lounge chair showing our new design;

FIG. 2 is a front elevational view thereof;

FIG. 3 is a rear elevational view thereof;

FIG. 4 is right side elevational view, the opposite of which is a mirror image thereof;

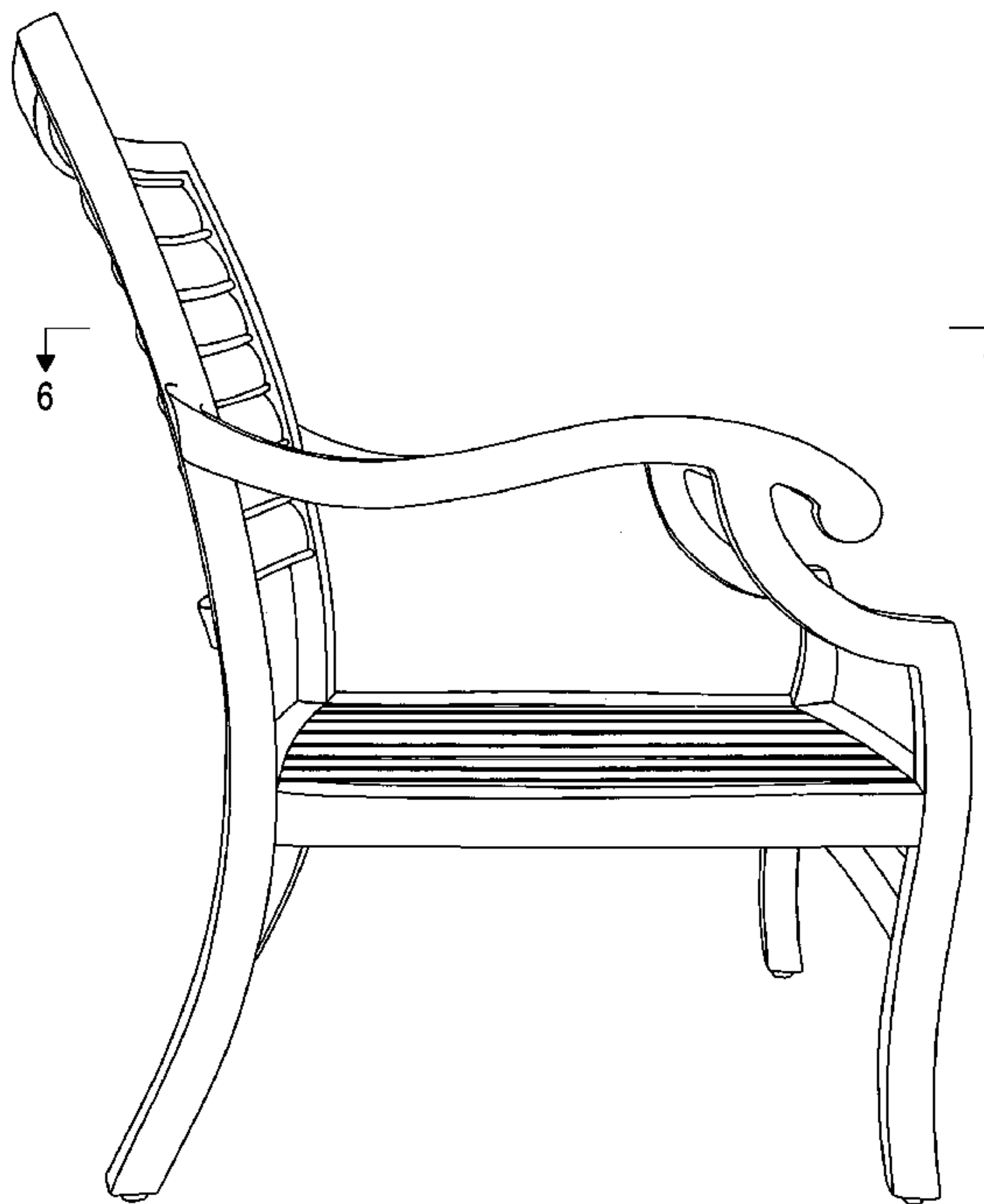
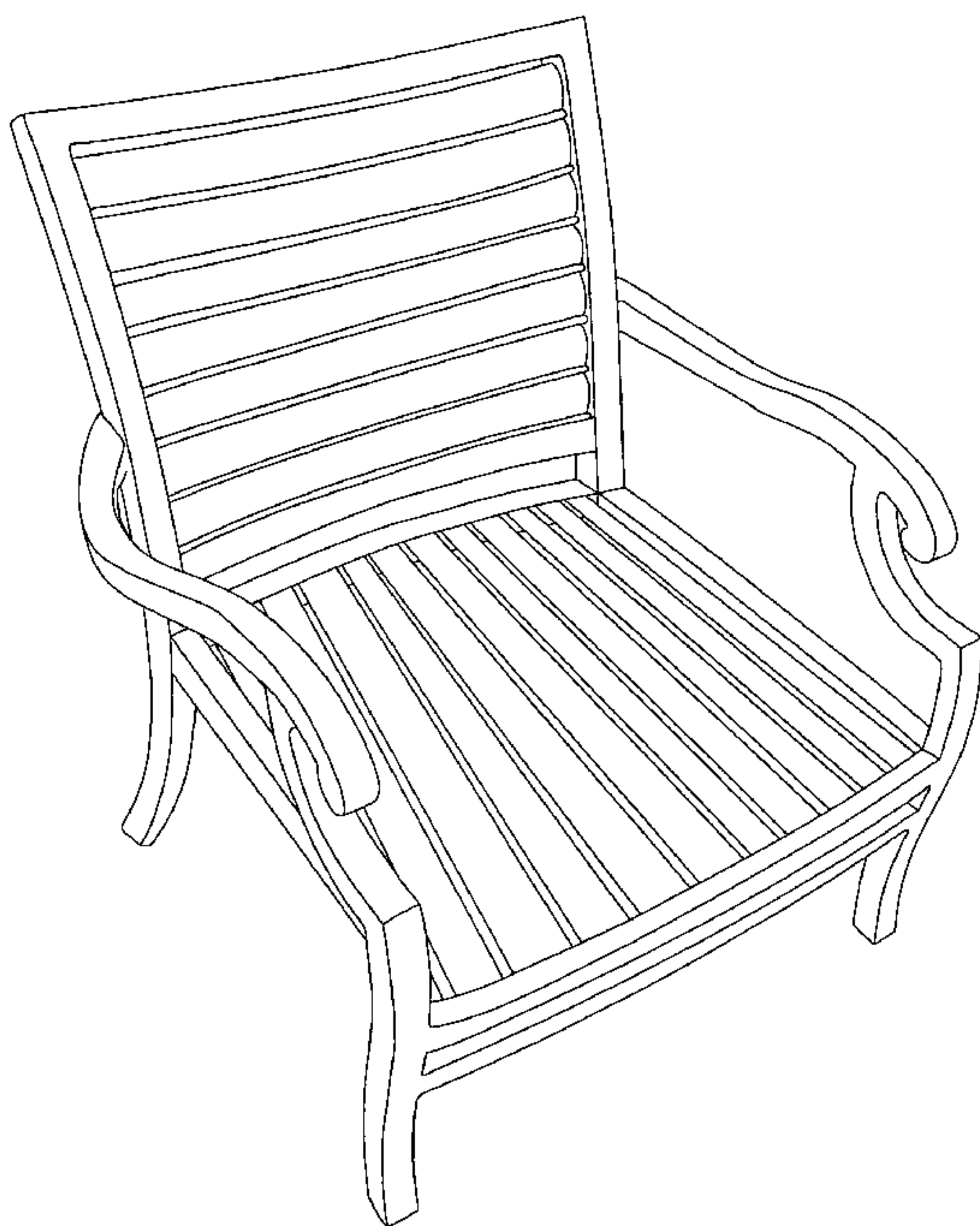
FIG. 5 is a top plan view thereof;

FIG. 6 is an enlarged fragmentary view taken between lines 6—6 in FIG. 4;

FIG. 7 is an enlarged fragmentary view taken between lines 7—7 in FIG. 2; and,

FIG. 8 is an enlarged fragmentary view within circle 8 in FIG. 2.

**1 Claim, 7 Drawing Sheets**



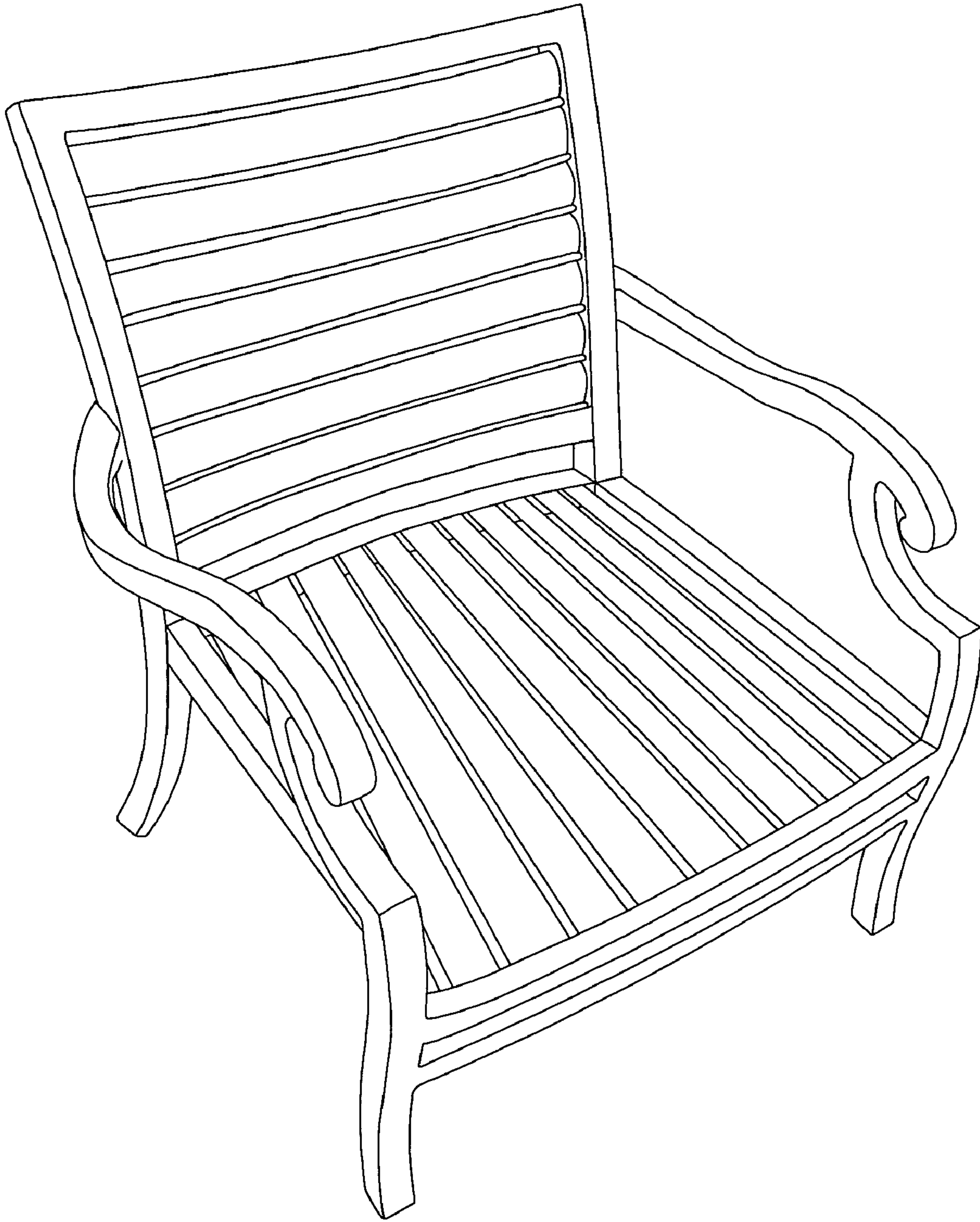


FIG. 1

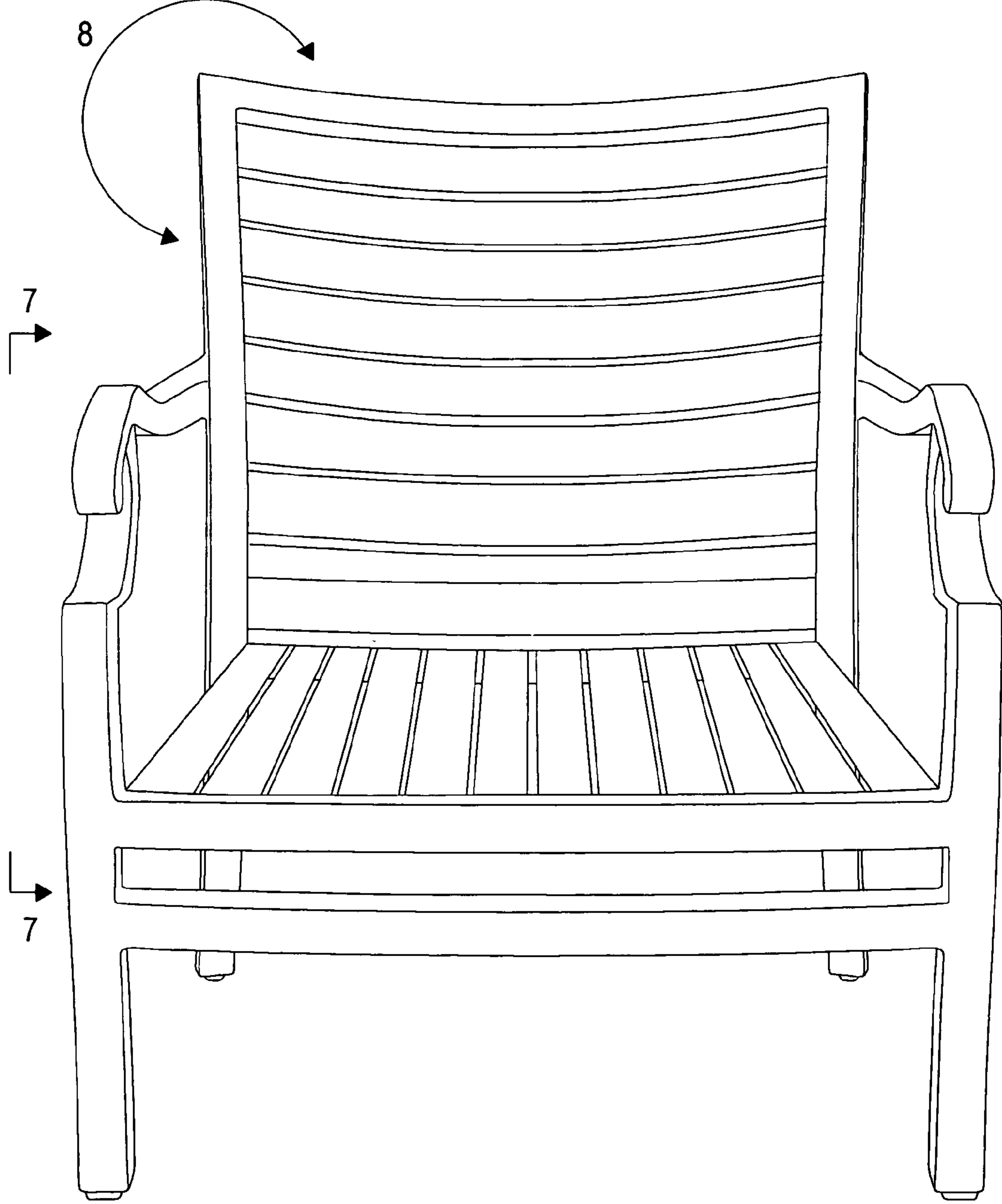


FIG. 2

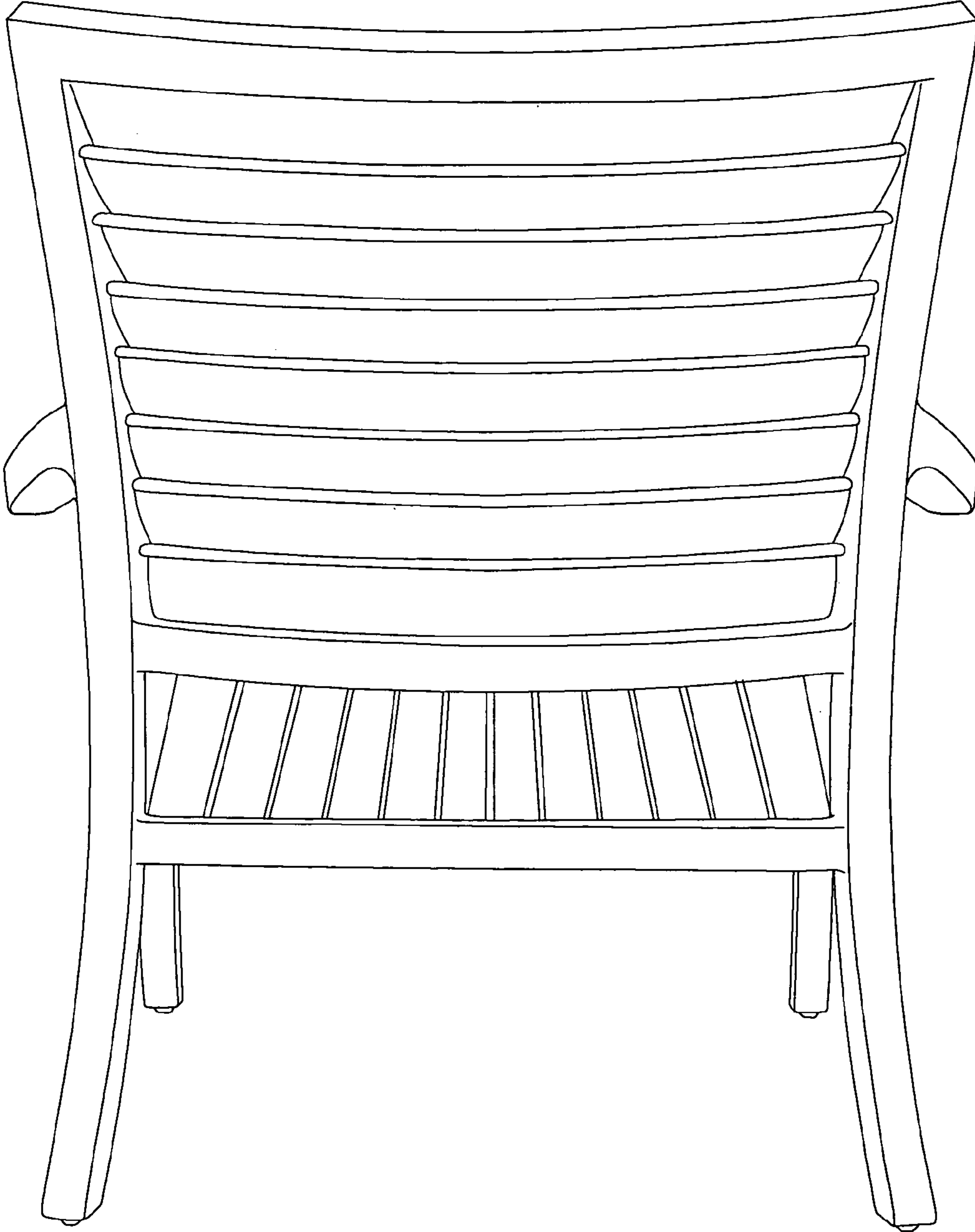


FIG. 3

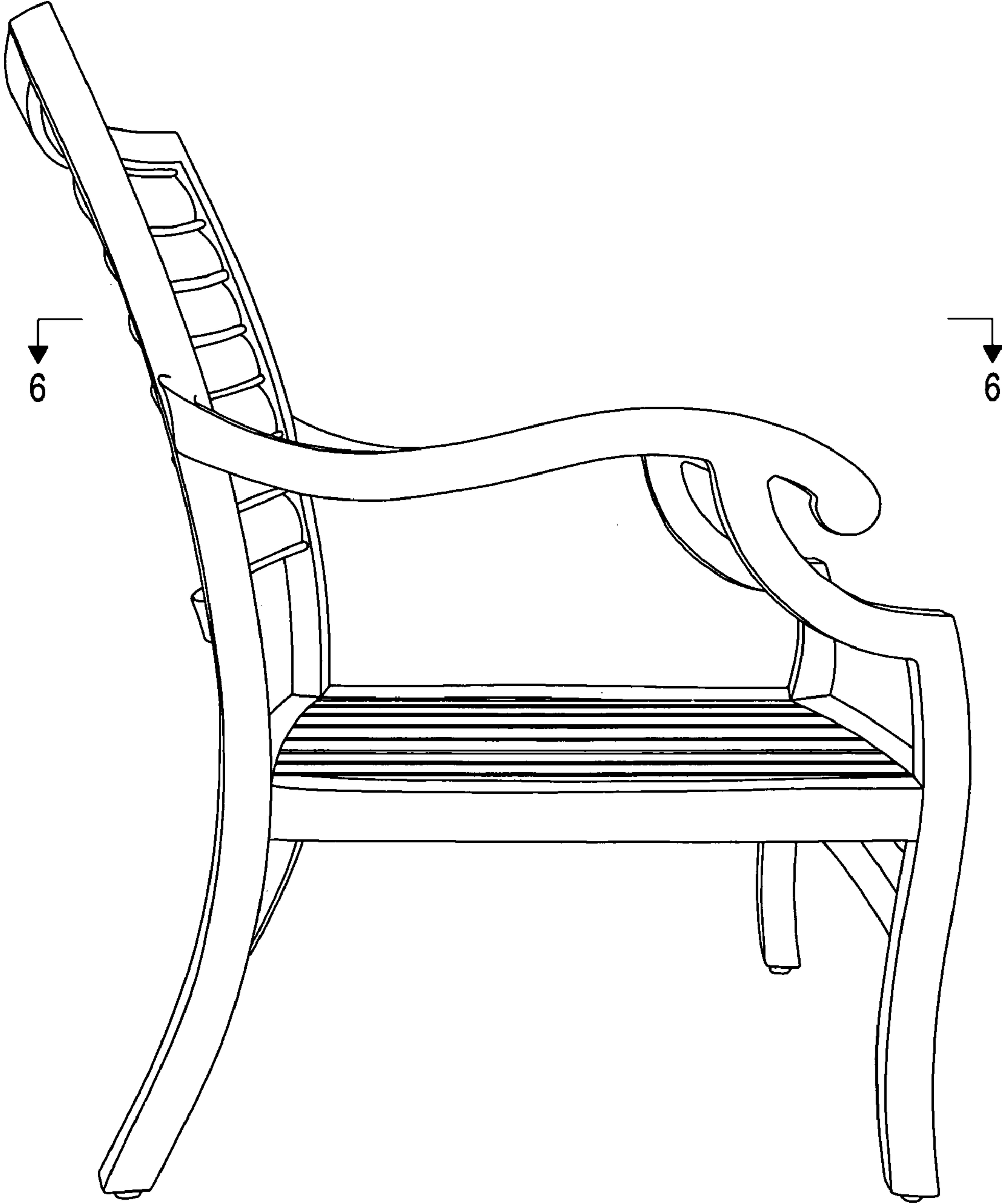


FIG. 4



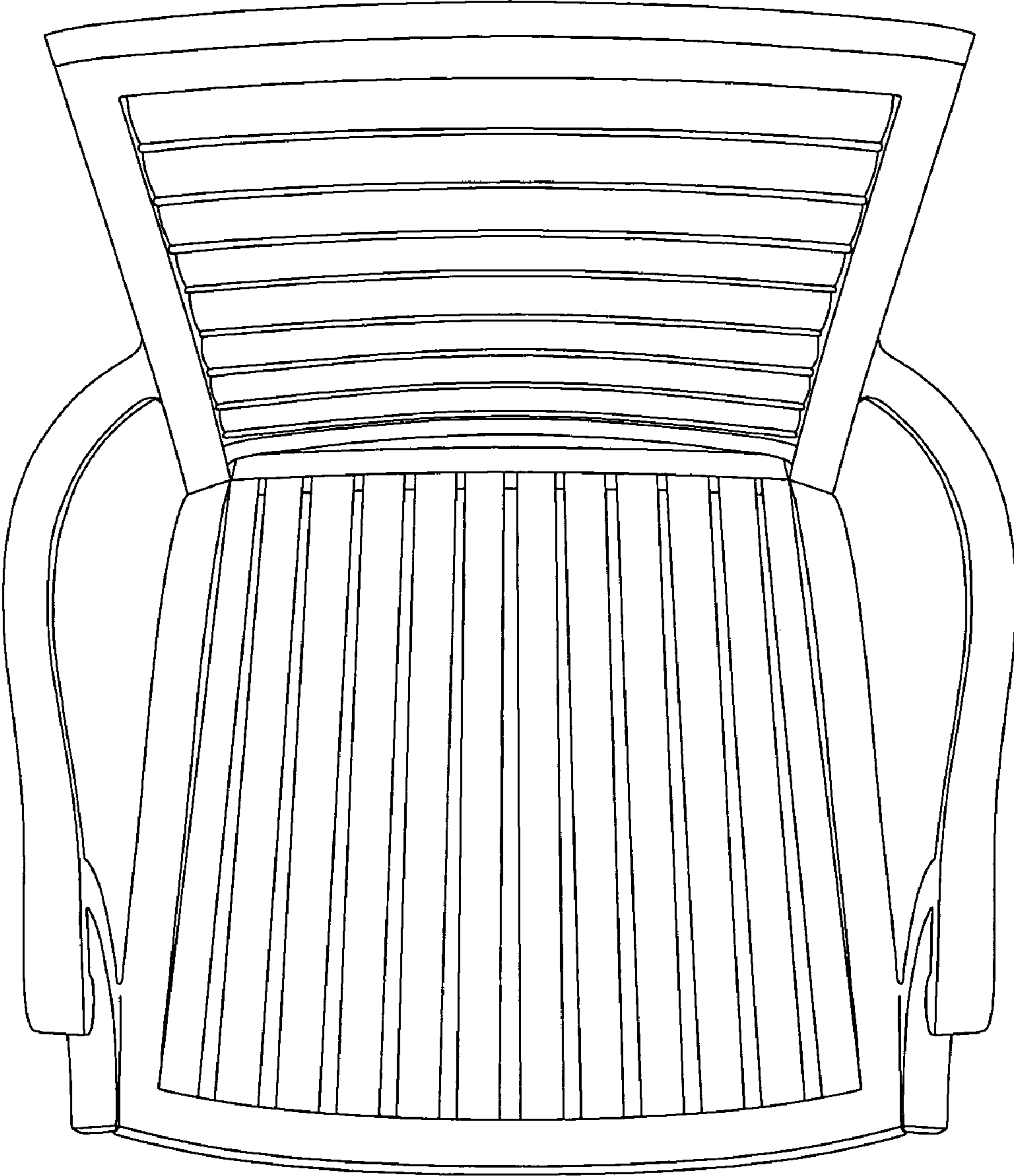


FIG. 5

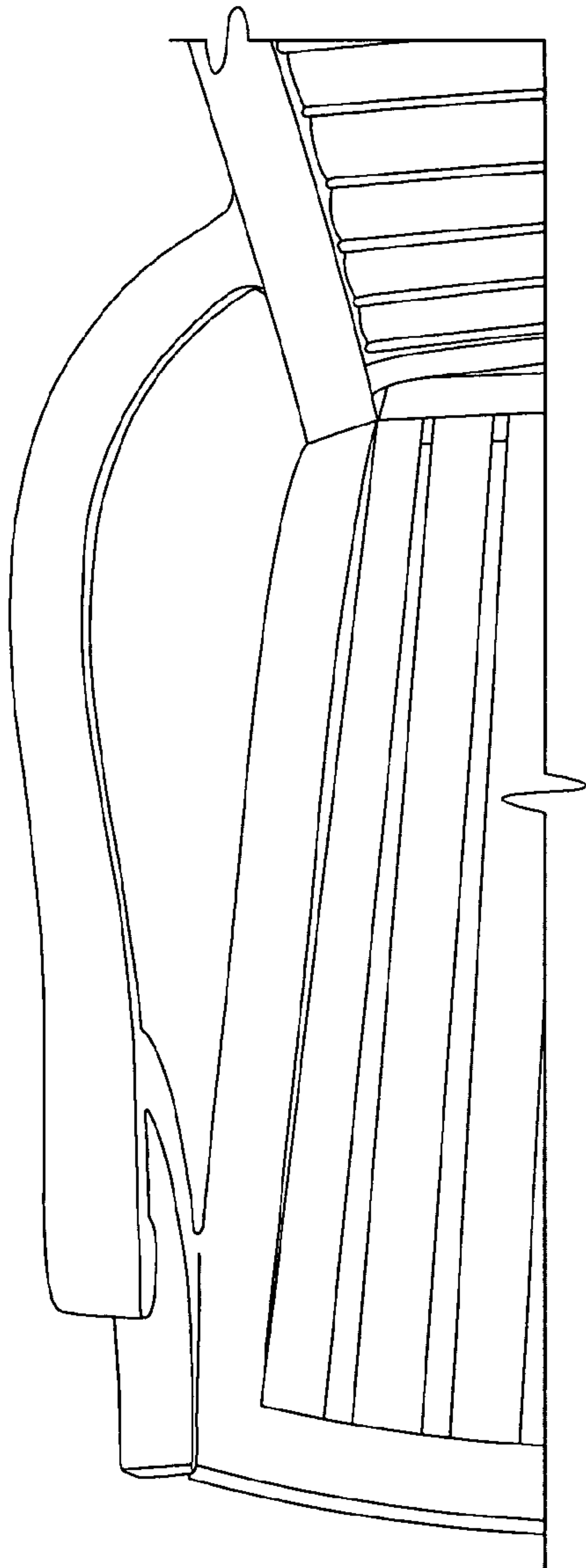


FIG. 6

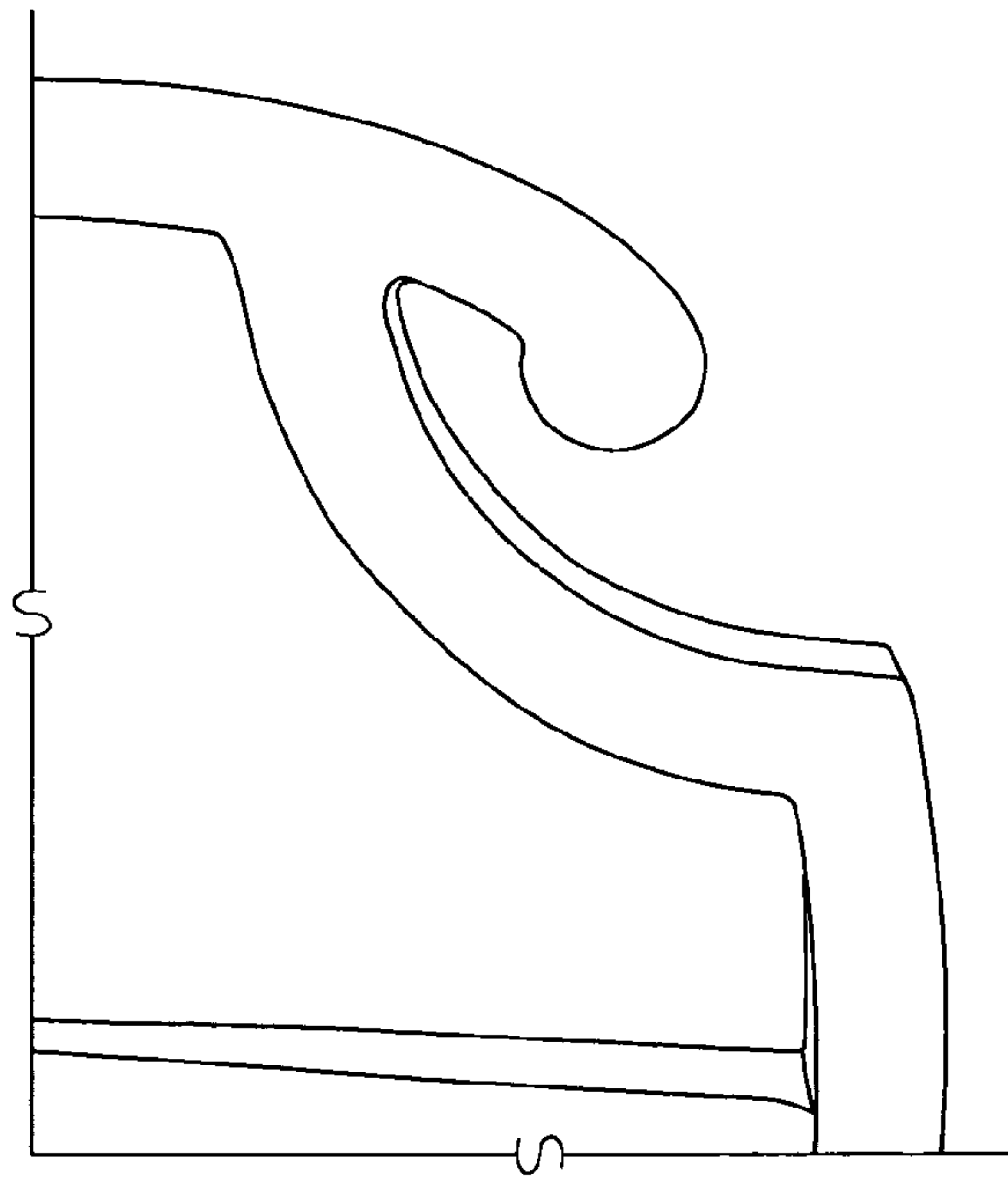


FIG. 7

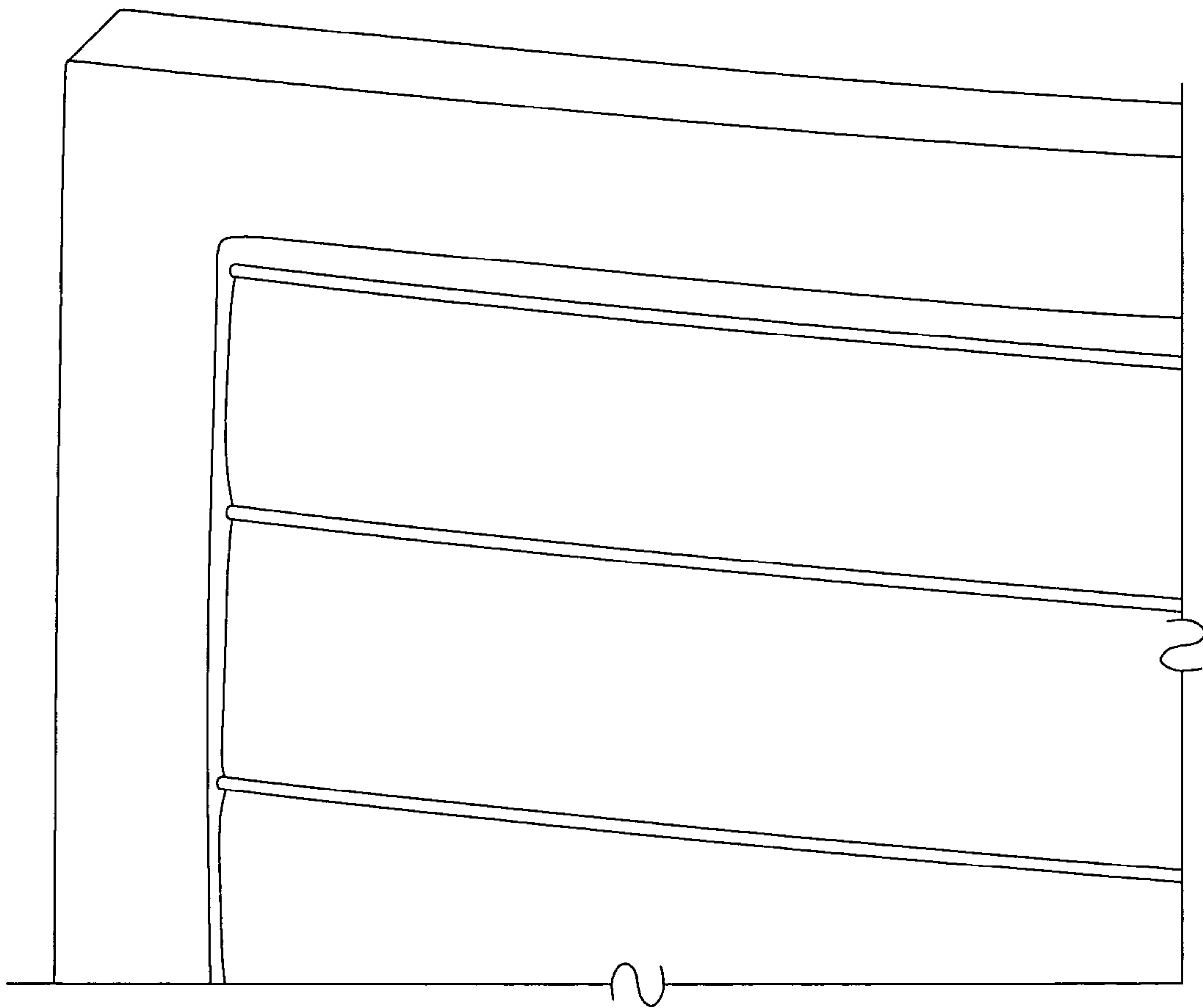


FIG. 8