



US00D591521S

(12) **United States Design Patent**
Luxton et al.

(10) **Patent No.:** **US D591,521 S**

(45) **Date of Patent:** **** May 5, 2009**

(54) **SHOWER SEAT**

D495,506 S * 9/2004 Self et al. D6/362
D536,889 S * 2/2007 Self et al. D6/362

(75) Inventors: **Mark Ian Luxton**, Onchan (GB); **Ian Felmeri**, Castletown (GB); **James Edward Self**, Colby (GB)

* cited by examiner

Primary Examiner—Mimosa De

(73) Assignee: **DLP Limited**, Isle of Man (GB)

(74) *Attorney, Agent, or Firm*—Fleit Gibbons Gutman Bongini & Bianco PL; Paul D. Bianco; Martin Fleit

(**) Term: **14 Years**

(57) **CLAIM**

(21) Appl. No.: **29/326,825**

The ornamental design for a shower seat, as shown and described.

(22) Filed: **Oct. 24, 2008**

(51) **LOC (9) Cl.** **06-01**

(52) **U.S. Cl.** **D6/362**

(58) **Field of Classification Search** D6/334–336,
D6/349, 355, 362, 367, 368, 370, 378, 500–502,
D6/553, 555, 567; 297/4, 14, 16.1, 130,
297/252, 256.1, 331; 4/297, 578.1, 579,
4/611, 614; 108/44, 116, 129, 134; 182/91,
182/187, 188; 248/220.1, 240, 240.1
See application file for complete search history.

DESCRIPTION

FIG. 1 is a perspective view of a shower seat, showing our new design;

FIG. 2 is an elevational view from one side of the shower seat, as shown in FIG. 1, the other side matches;

FIG. 3 is a plan view from above of the shower seat, shown in FIG. 1;

FIG. 4 is a rear view of the shower seat;

FIG. 5 is a plan view from below of the shower seat; and,

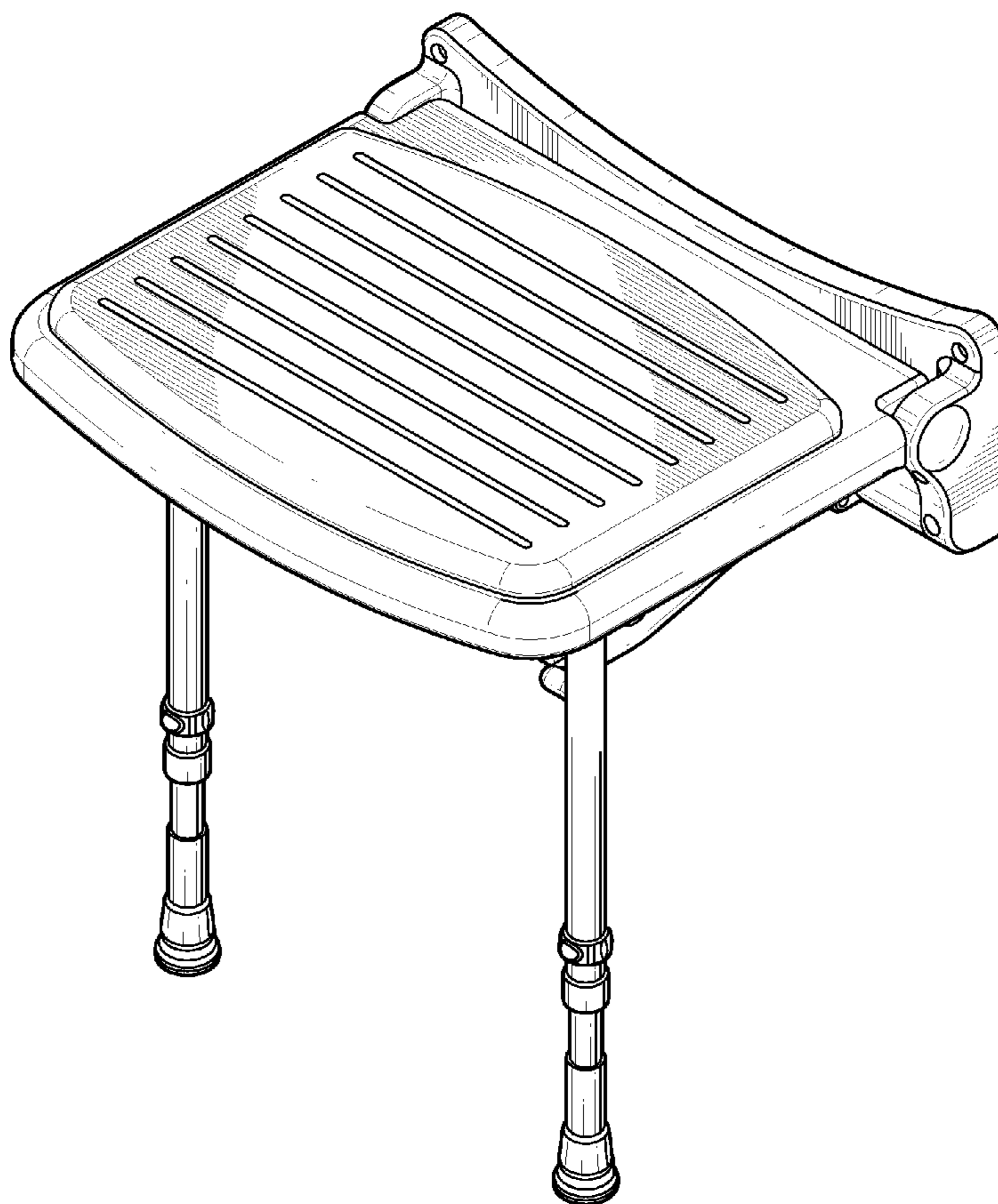
FIG. 6 is a front view of the shower seat.

(56) **References Cited**

U.S. PATENT DOCUMENTS

D494,767 S * 8/2004 Self et al. D6/362

1 Claim, 6 Drawing Sheets



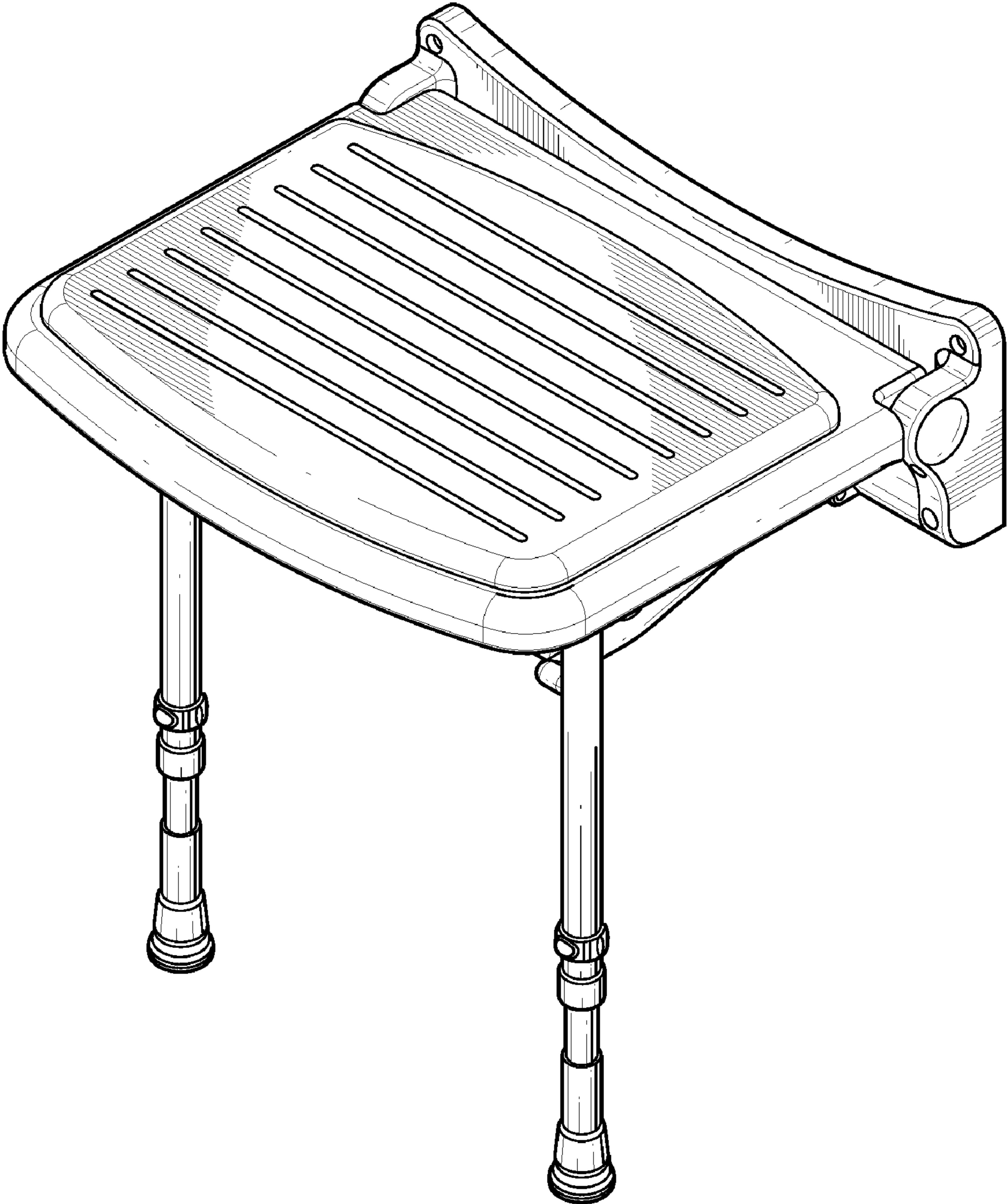


FIG. 1

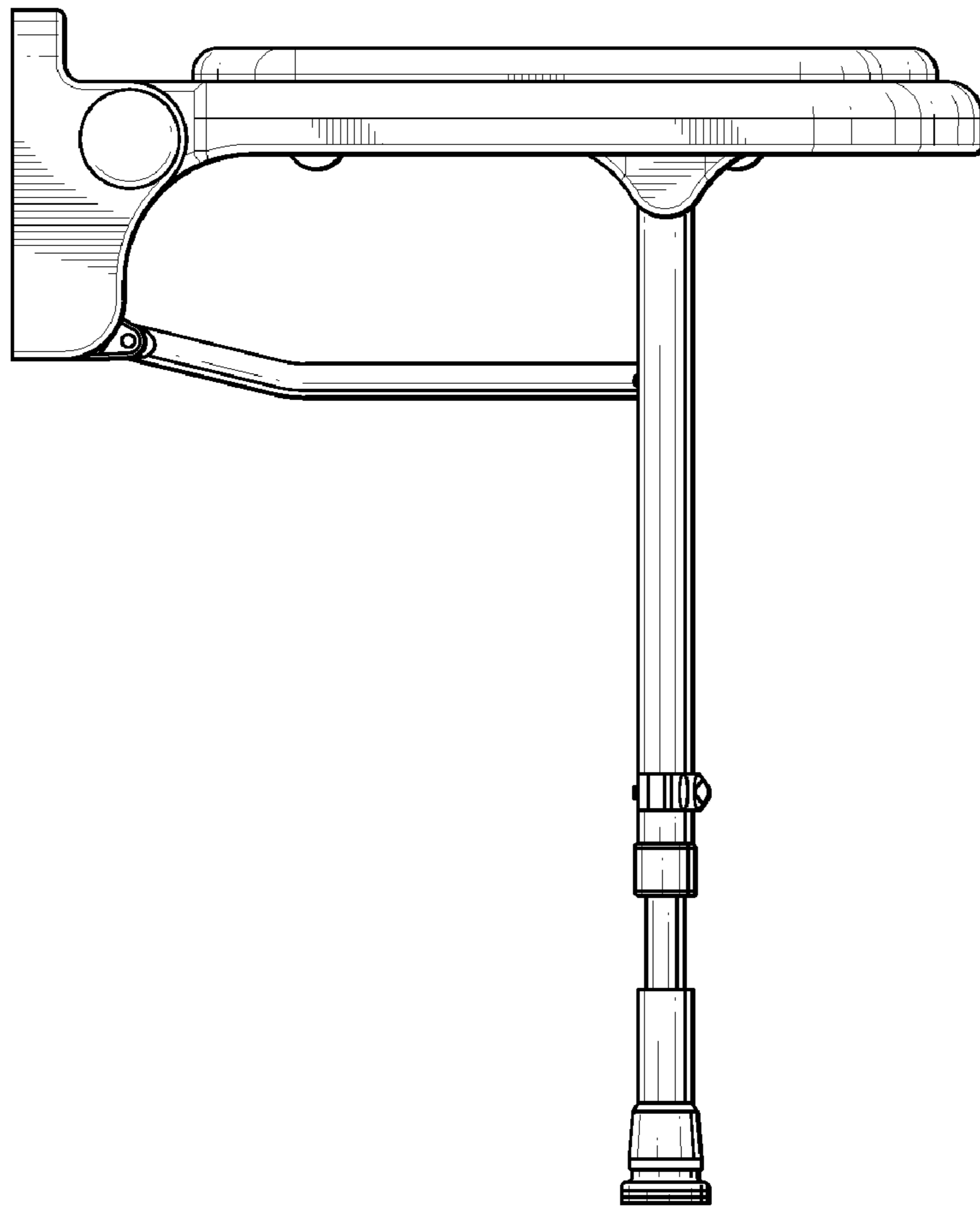


FIG. 2

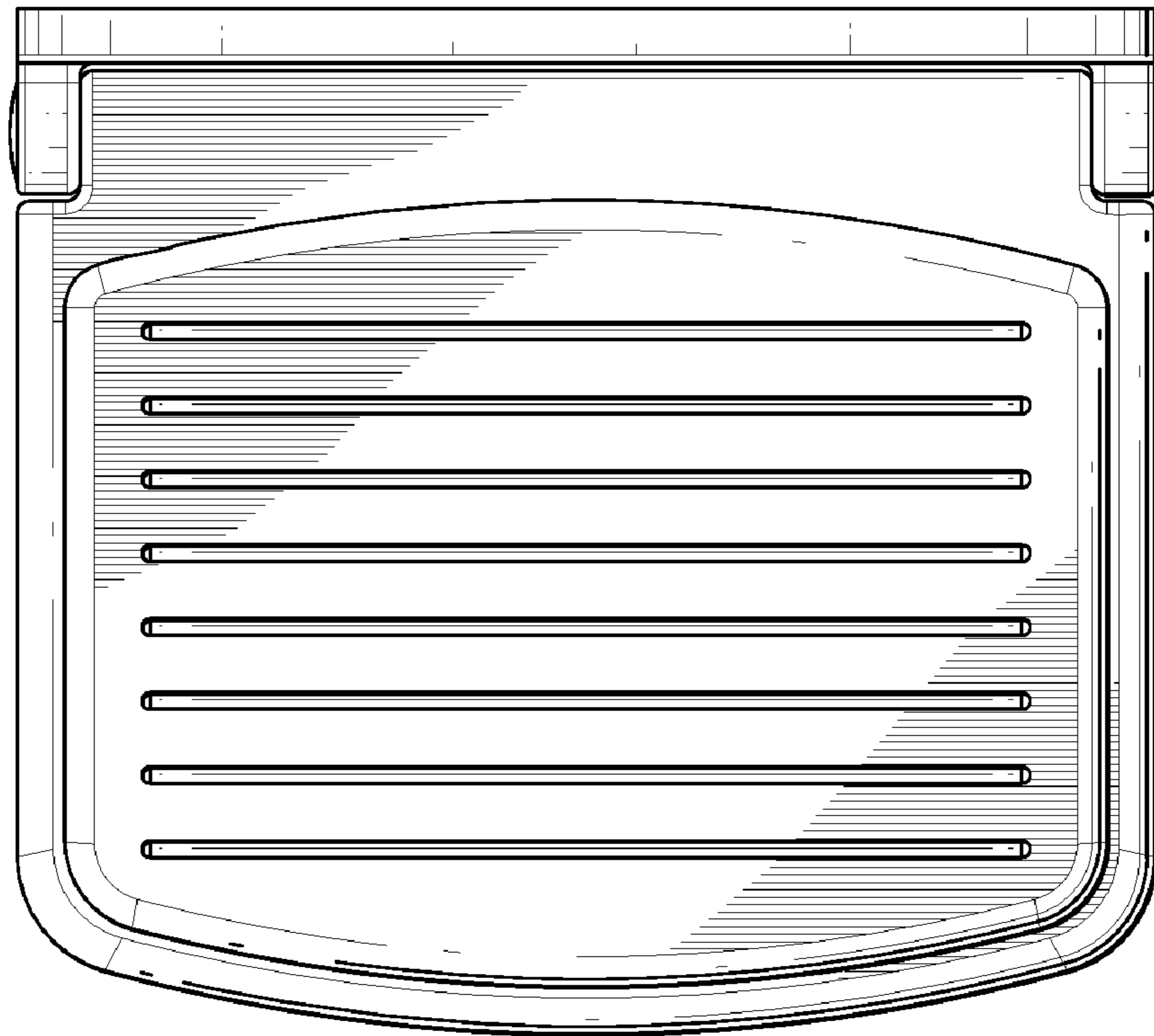


FIG. 3

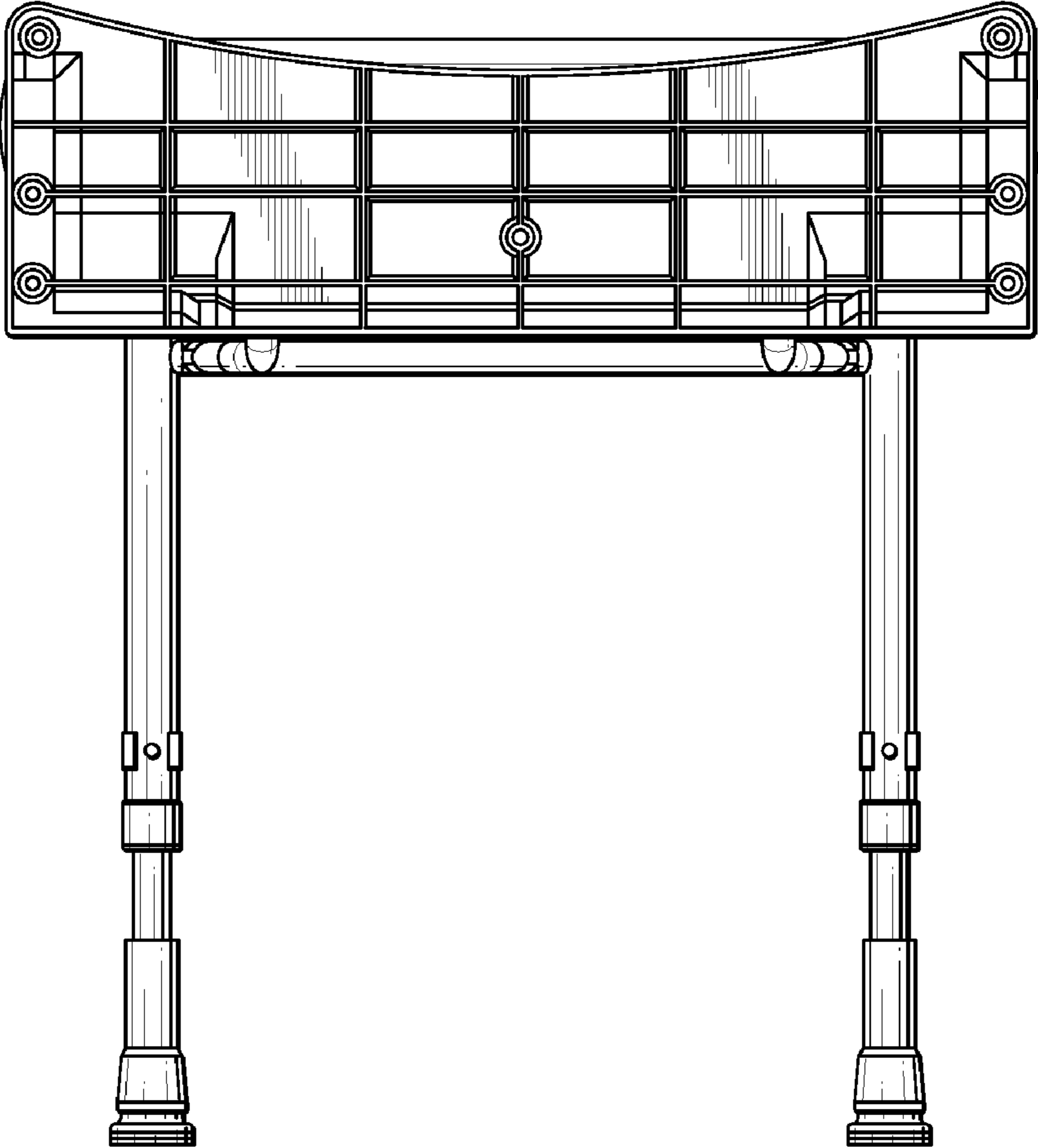


FIG.4

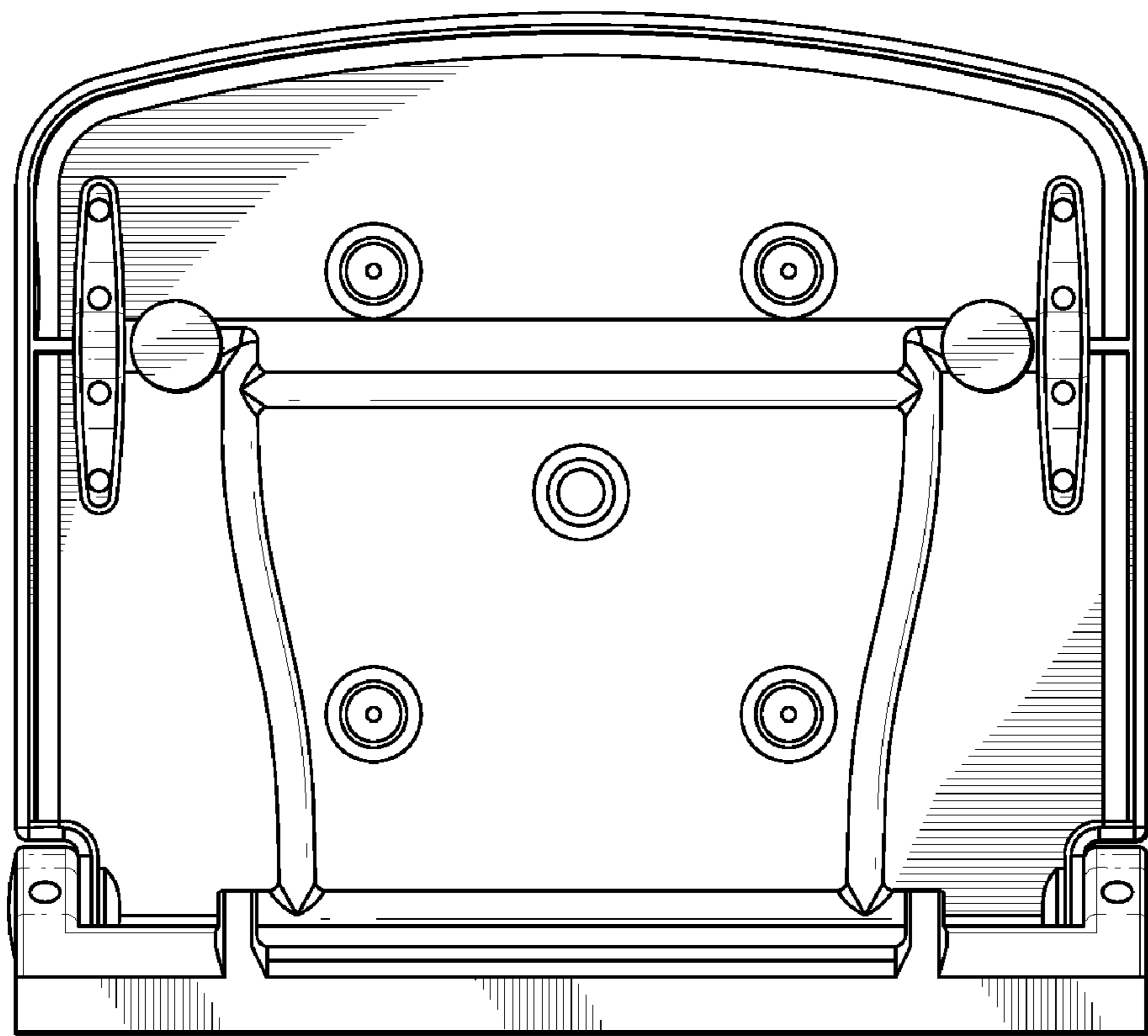


FIG. 5

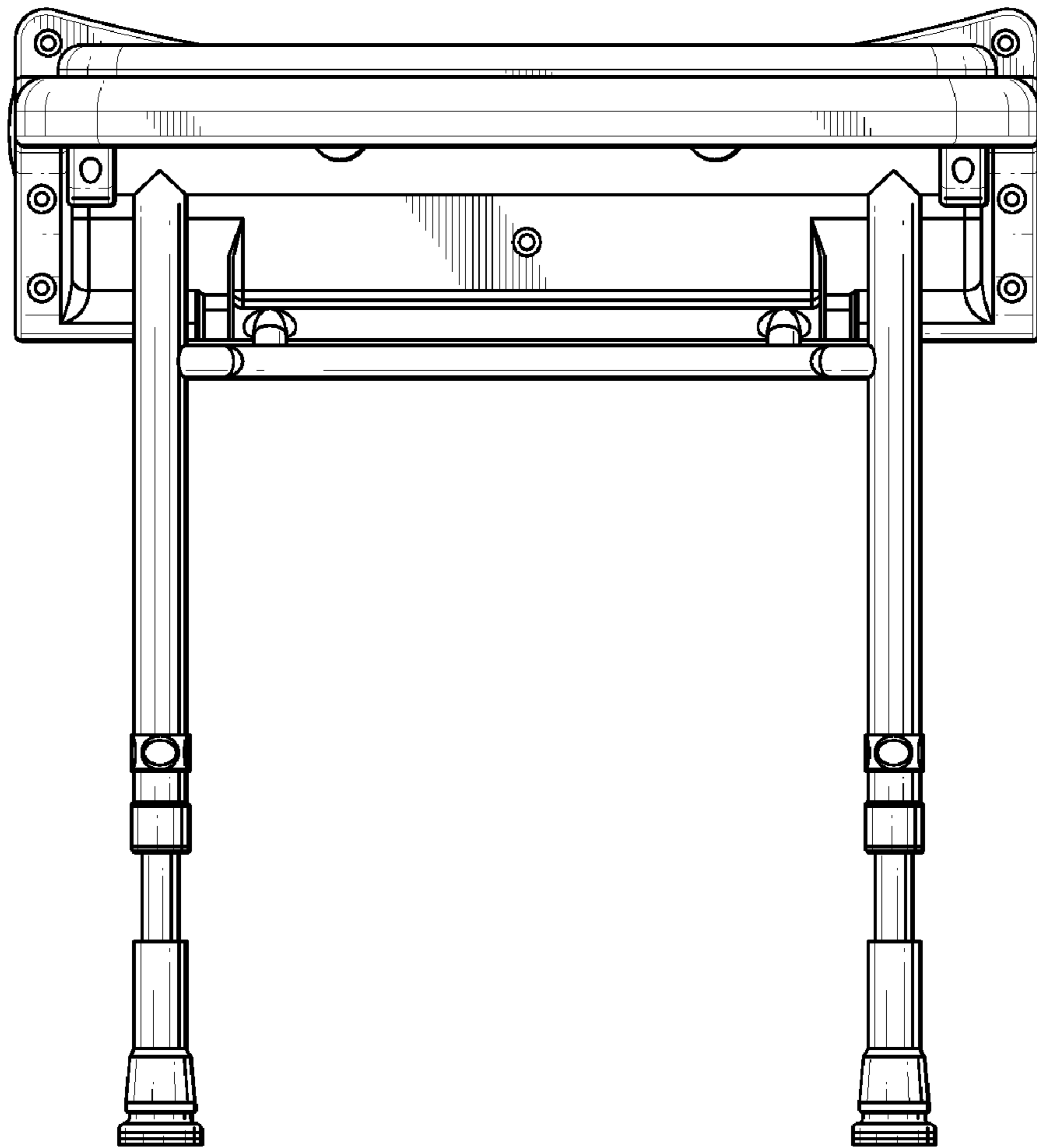


FIG. 6