



US00D591518S

(12) **United States Design Patent**
Zhai et al.

(10) **Patent No.:** **US D591,518 S**
(45) **Date of Patent:** **** May 5, 2009**

(54) **DIGITAL FRAME**

(75) Inventors: **Xiaodong Zhai**, Shenzhen (CN); **Yan Tan**, Shenzhen (CN)

(73) Assignee: **Huawei Technologies Co., Ltd.**, Shenzhen (CN)

(**) Term: **14 Years**

(21) Appl. No.: **29/318,994**

(22) Filed: **Jun. 2, 2008**

(51) **LOC (9) Cl.** **06-07**

(52) **U.S. Cl.** **D6/308; D14/371**

(58) **Field of Classification Search** D6/300,
D6/308, 310, 311; 40/721, 700, 768, 717,
40/714; D14/371, 372, 448, 449, 450, 375,
D14/374, 381, 382, 336, 337; D10/15, 24,
D10/75, 2; D19/26

See application file for complete search history.

(56) **References Cited**

U.S. PATENT DOCUMENTS

D560,371 S * 1/2008 Liu et al. D6/308
D570,610 S * 6/2008 Chuang D6/300
D572,023 S * 7/2008 Park D6/300

D572,025 S * 7/2008 Kwon D6/308
2002/0040541 A1 * 4/2002 Wang 40/714

* cited by examiner

Primary Examiner—Janice E Seeger
Assistant Examiner—Sydney R Buffalow
(74) *Attorney, Agent, or Firm*—Darby & Darby, P.C.

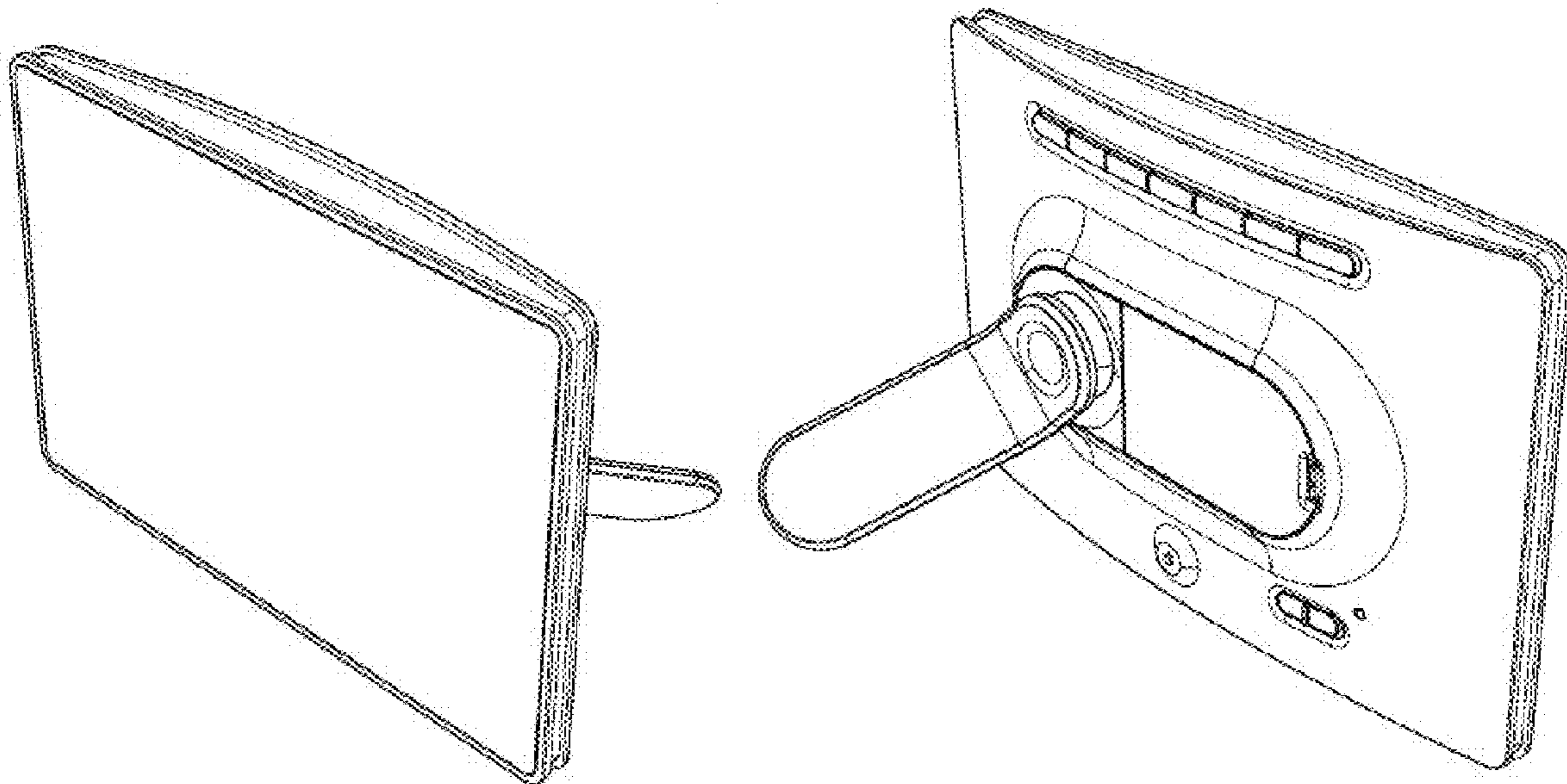
(57) **CLAIM**

The ornamental design for a digital frame, as shown and described.

DESCRIPTION

FIG. 1 is a front, top, right-side perspective view of our new design for digital frame;
FIG. 2 is a rear top right-perspective view thereof;
FIG. 3 is a top plan view thereof;
FIG. 4 is a right-side elevation view thereof;
FIG. 5 is a front elevation view thereof;
FIG. 6 is a rear elevation view thereof;
FIG. 7 is a left-side elevation view thereof; and,
FIG. 8 is a bottom plan view thereof.

1 Claim, 3 Drawing Sheets



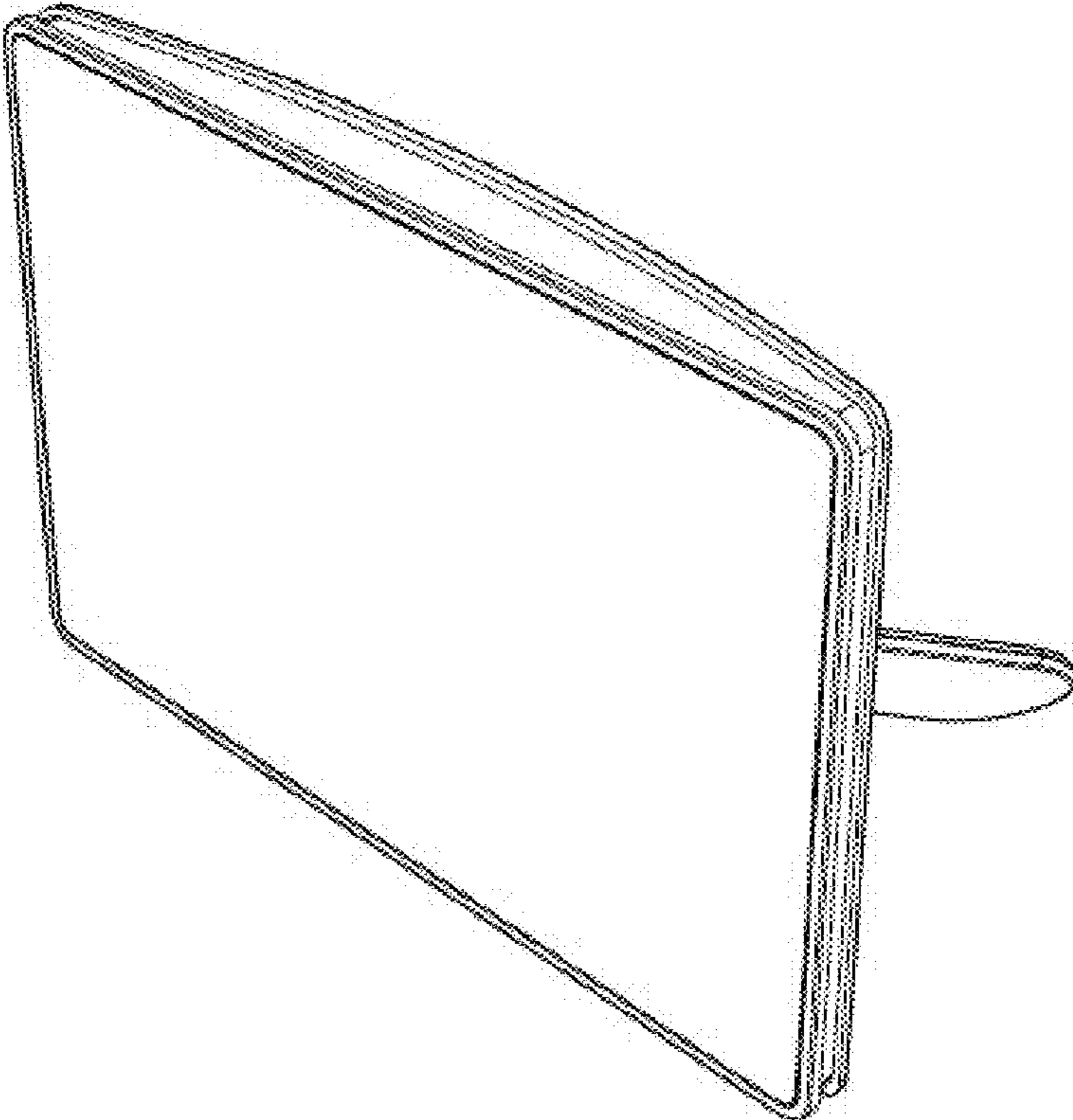


FIG. 1

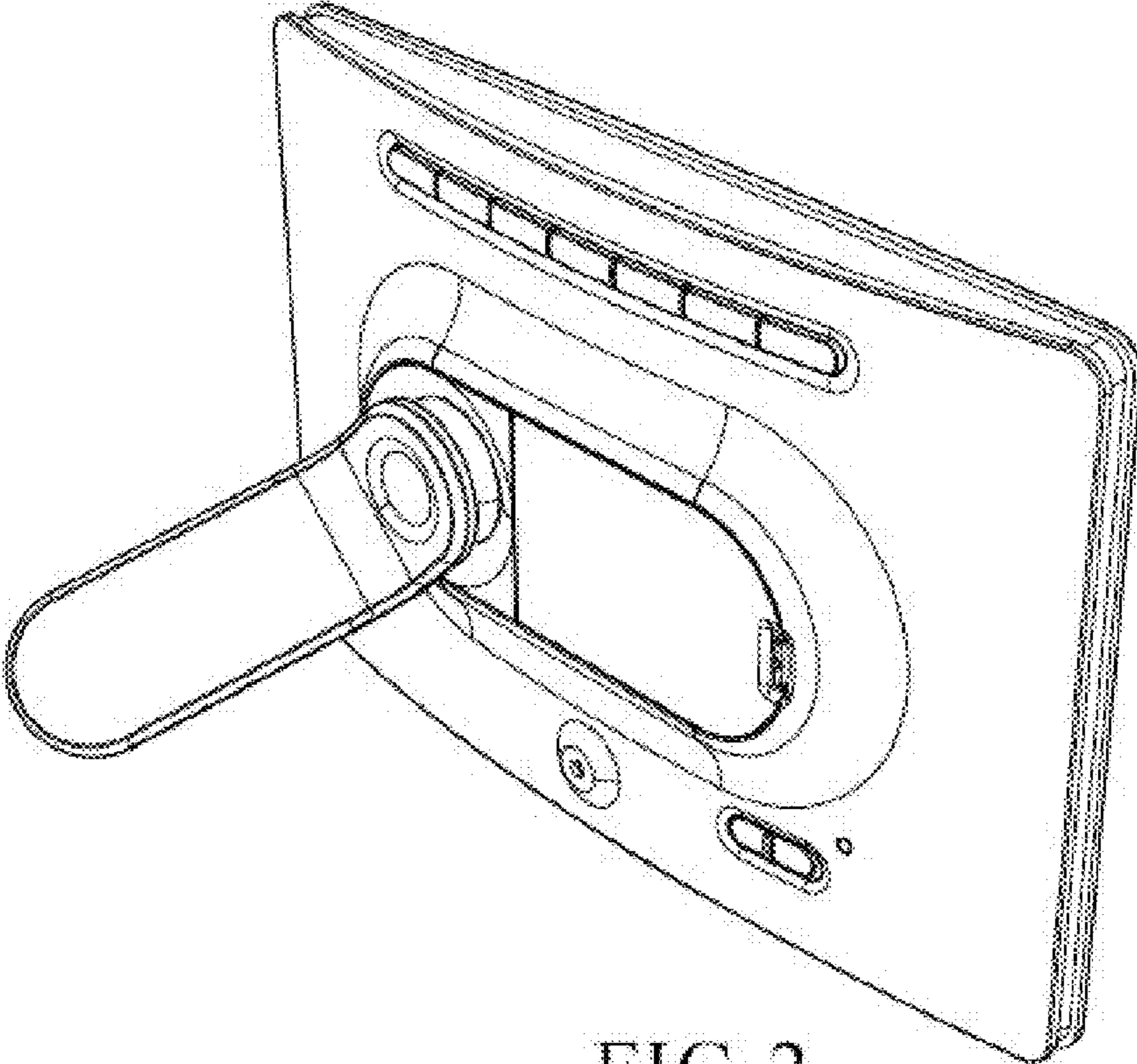


FIG. 2

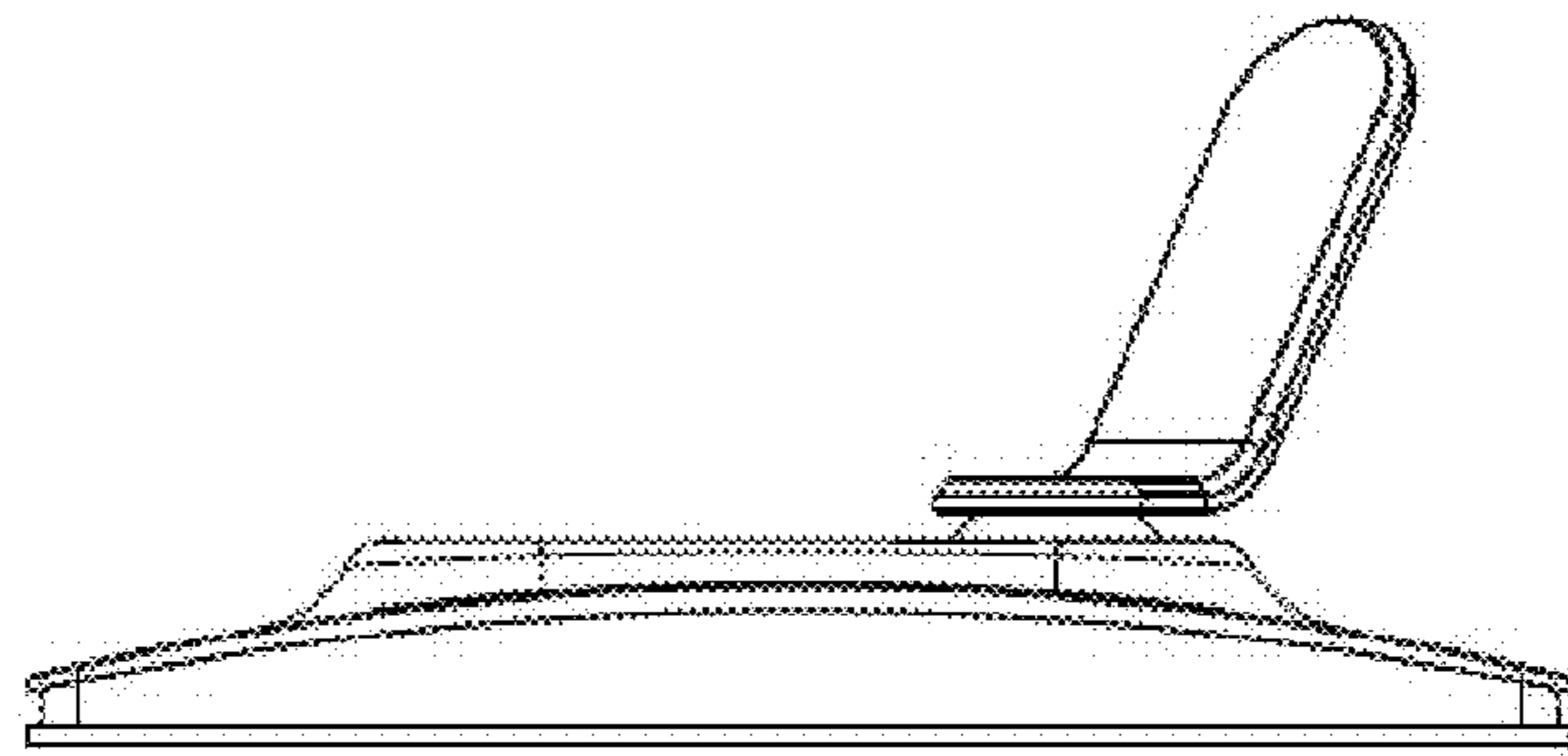


FIG. 3

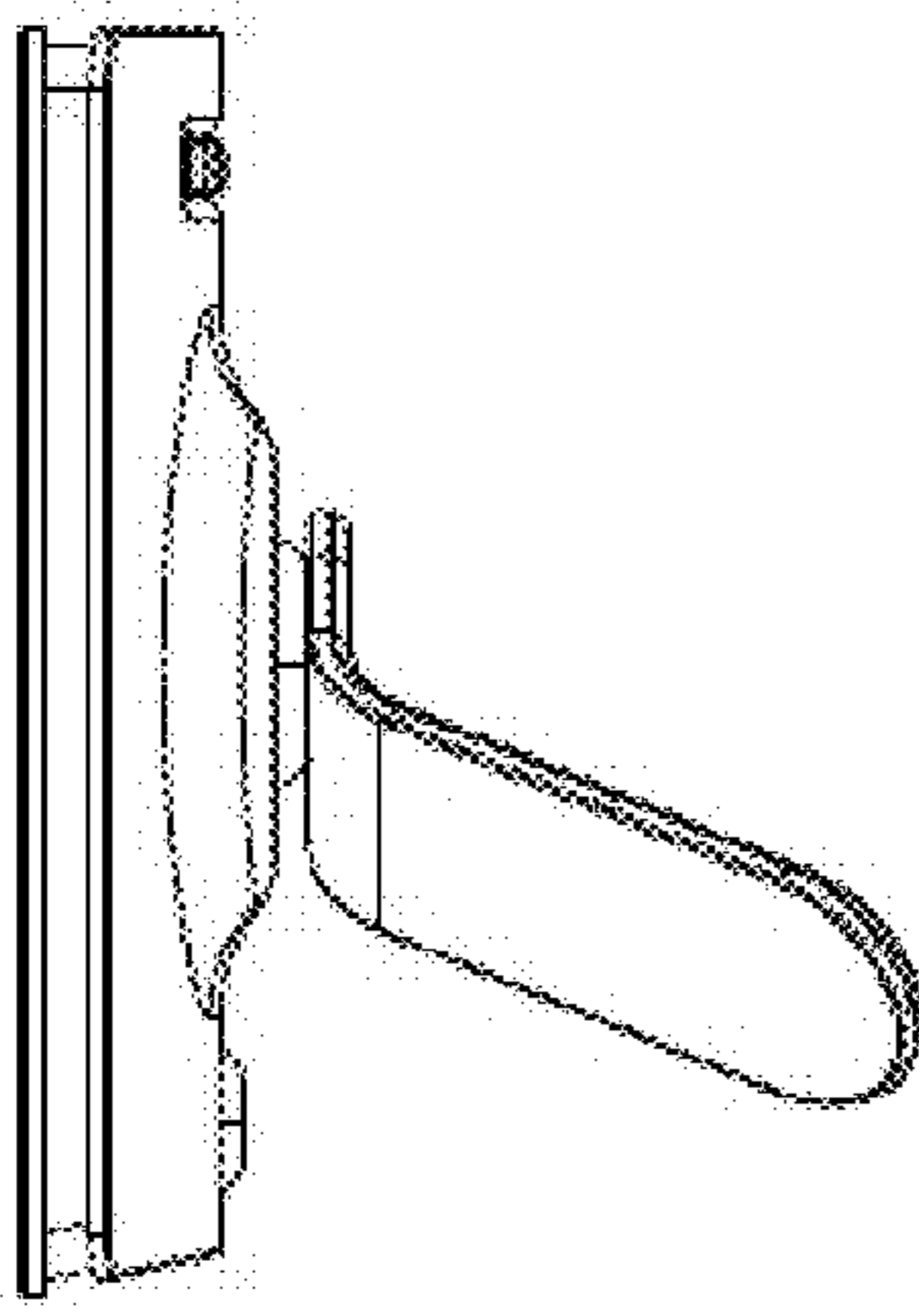


FIG. 4

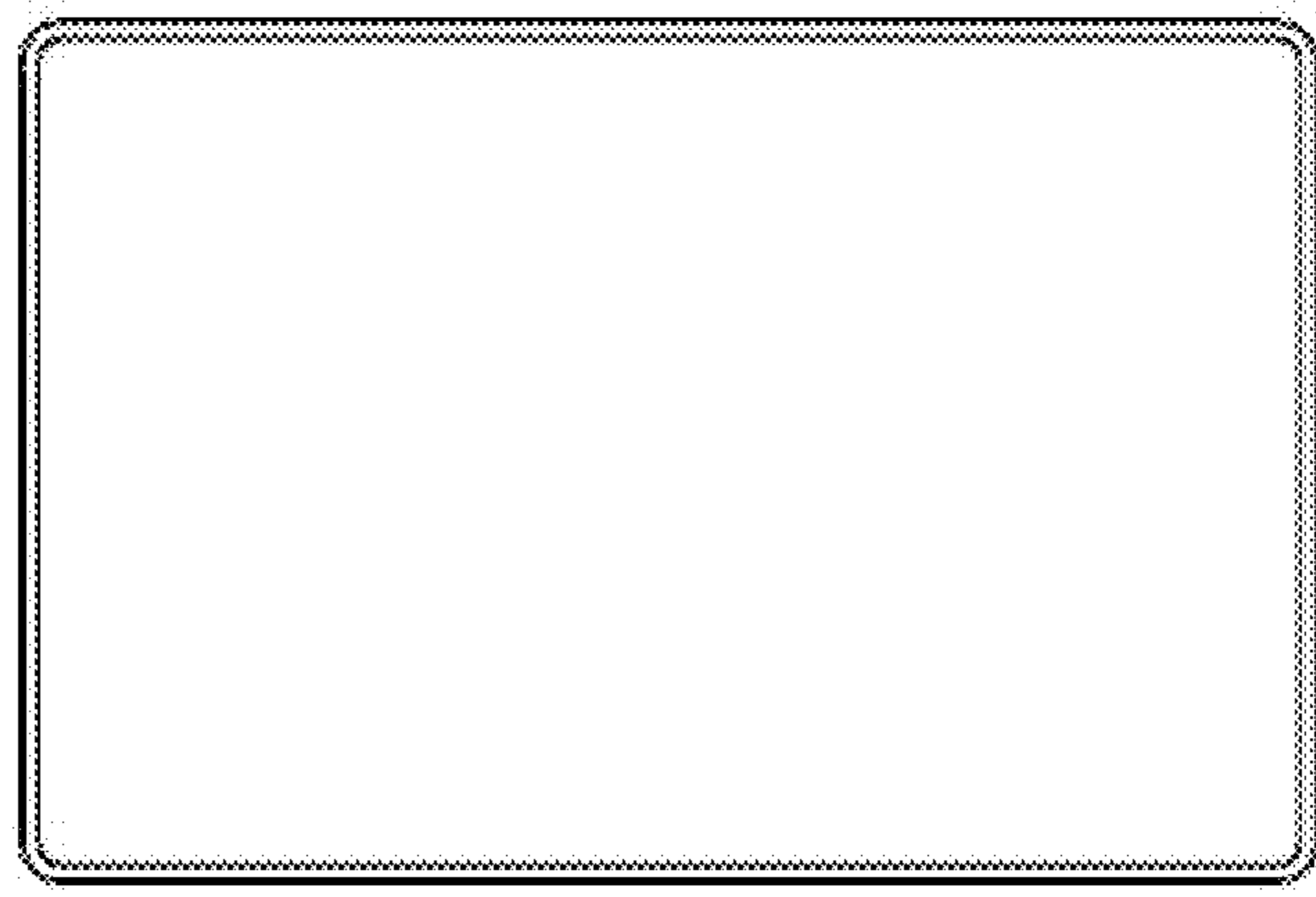


FIG. 5

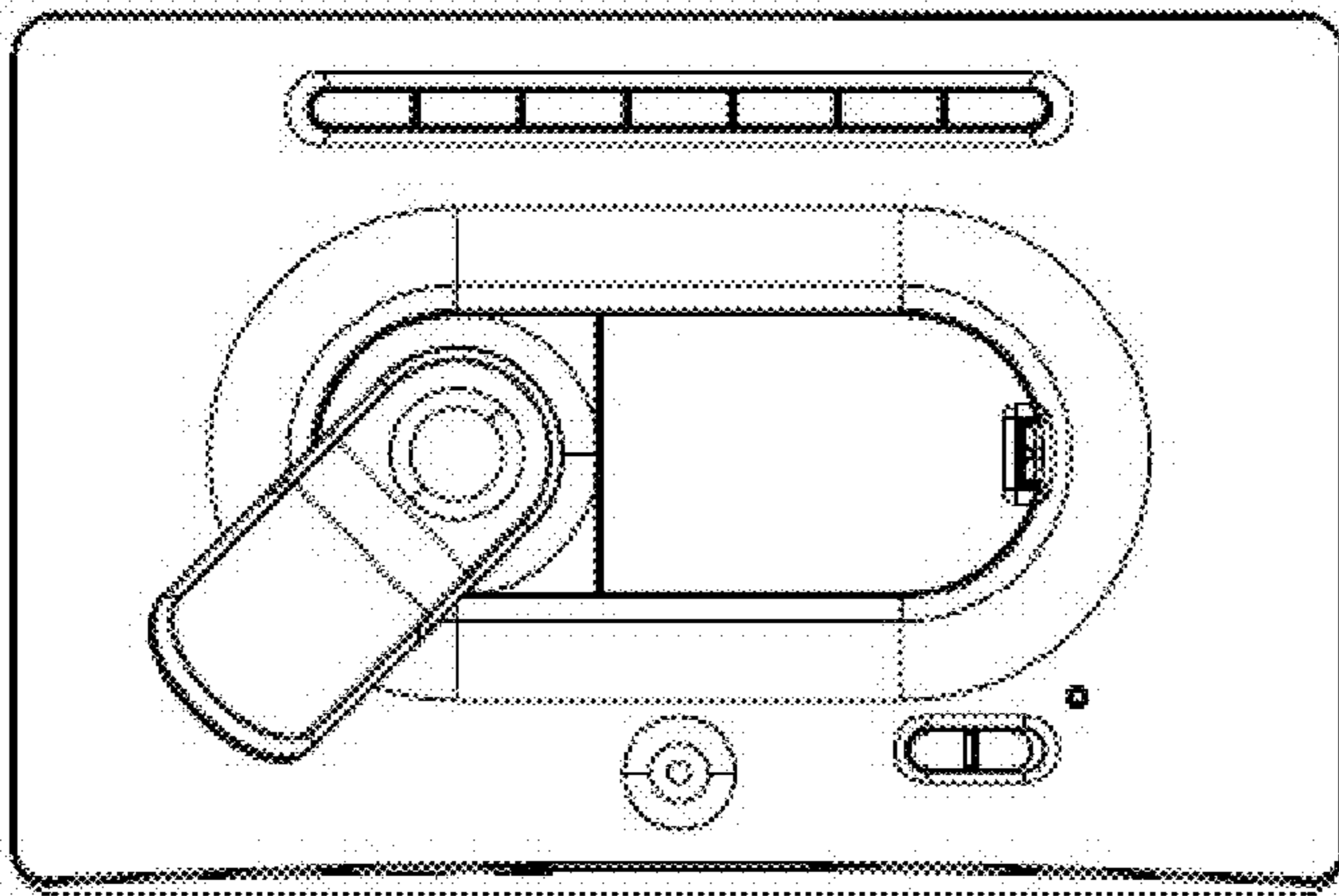


FIG. 6

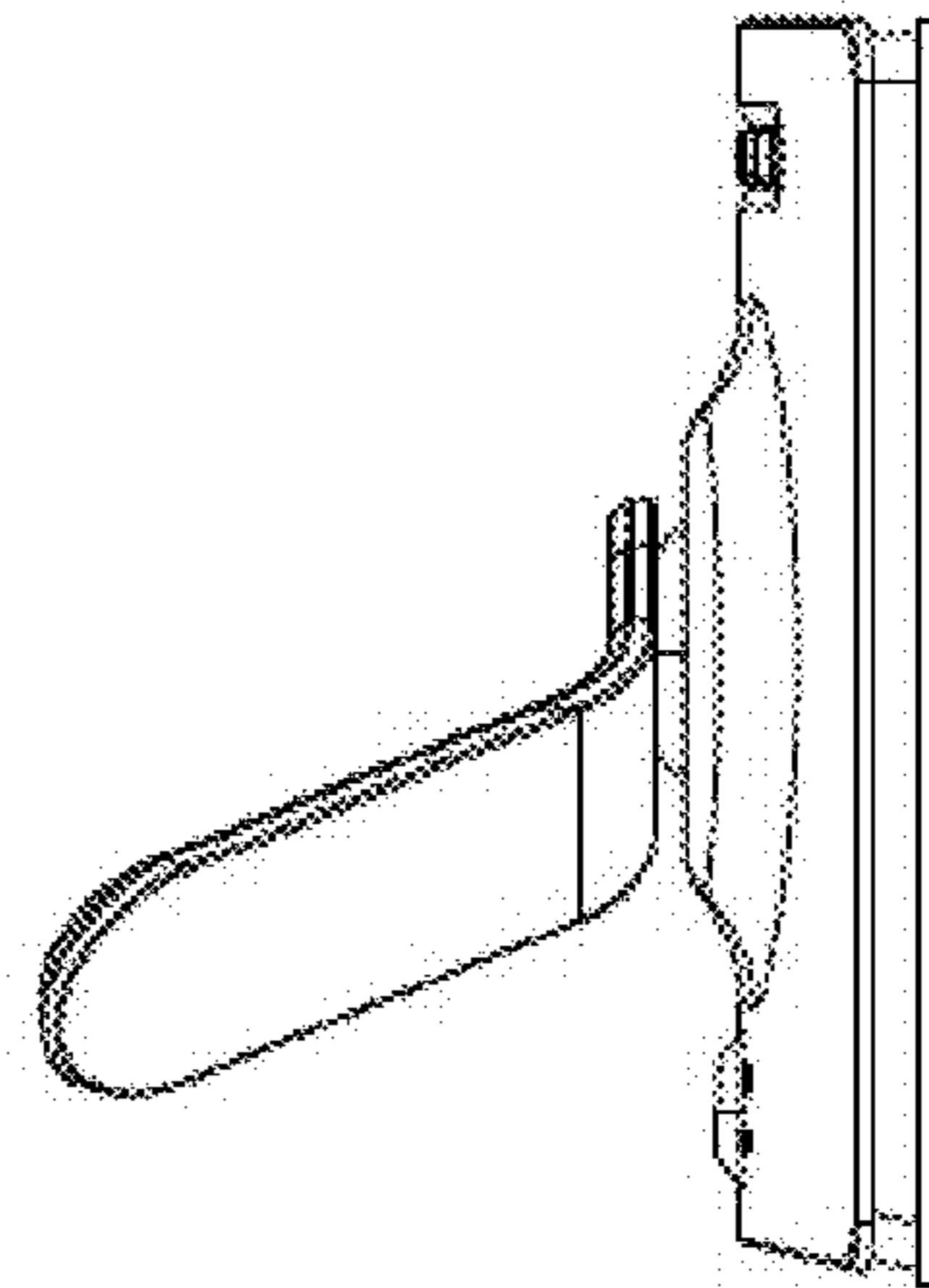


FIG. 7

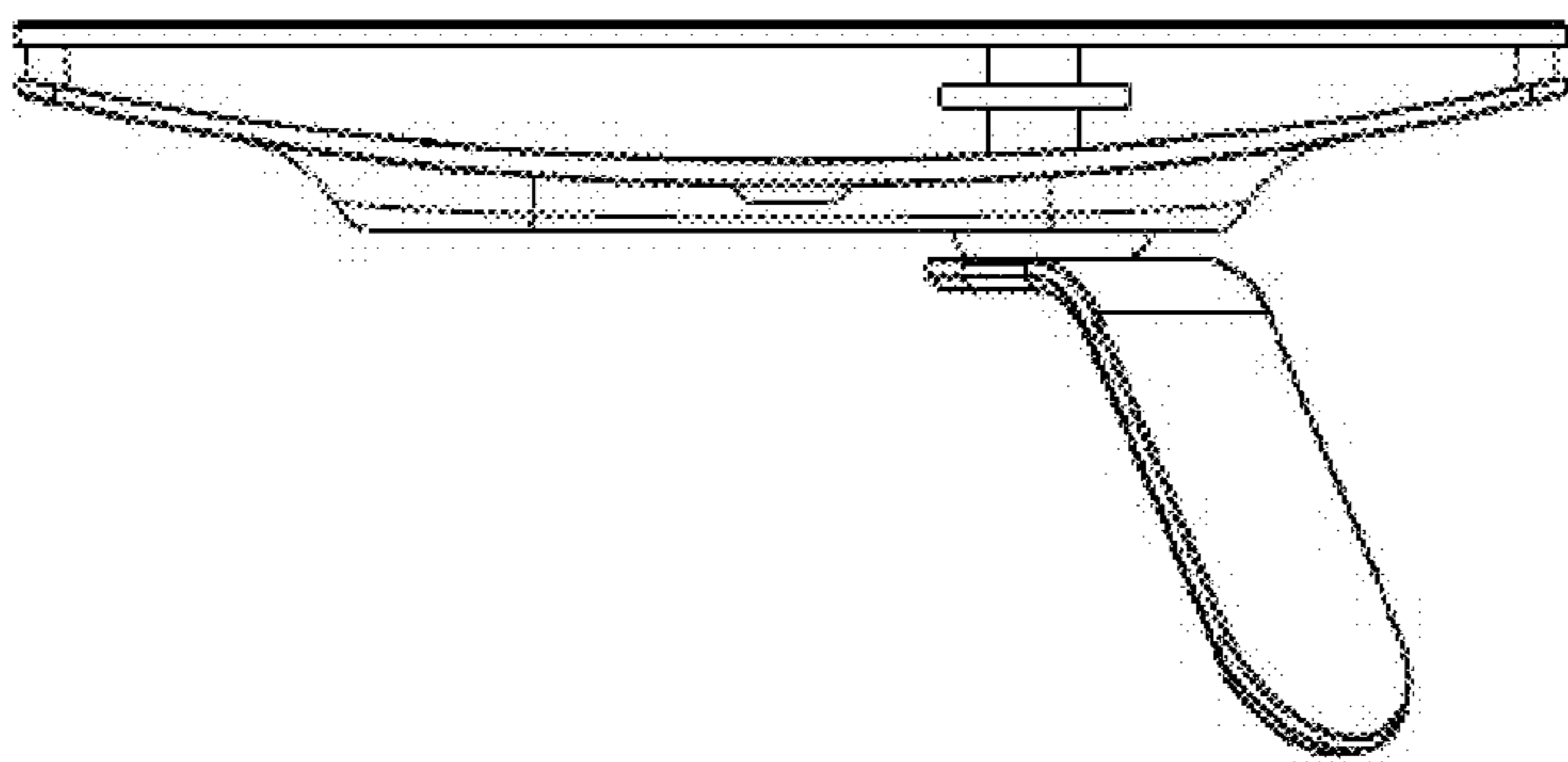


FIG. 8