



US00D591517S

(12) **United States Design Patent**
Molenaar et al.

(10) **Patent No.:** **US D591,517 S**
(45) **Date of Patent:** **** May 5, 2009**

(54) **COMPUTER MONITOR MIRROR AND NOTE HOLDER**

(75) Inventors: **Steven L Molenaar**, Willmar, MN (US);
Ronald E Markfelder, Willmar, MN (US)

(73) Assignee: **Molenaar, LLC**, Willmar, MN (US)

(**) Term: **14 Years**

(21) Appl. No.: **29/305,074**

(22) Filed: **Mar. 13, 2008**

D333,488 S	2/1993	Kirchner	
D337,352 S	7/1993	Parker	
D355,679 S	2/1995	Costa	
D393,004 S *	3/1998	Foster D19/91
D398,657 S	9/1998	Palmer et al.	
D412,893 S	8/1999	Newman	
D418,875 S	1/2000	Paik	
D421,276 S *	2/2000	Palmer D20/37
D445,798 S	7/2001	Moore	
D465,524 S	11/2002	Nanao	
D489,375 S	5/2004	Stapleton	
D500,341 S	12/2004	Bhavnani	
D549,231 S *	8/2007	Doyle et al. D14/432
D549,706 S	8/2007	Doyle et al.	
D567,512 S *	4/2008	Molenaar et al. D6/300

Related U.S. Application Data

(62) Division of application No. 29/271,850, filed on Jan. 29, 2007, now Pat. No. Des. 567,512.

(51) **LOC (9) Cl.** **06-07**

(52) **U.S. Cl.** **D6/300; D14/439**

(58) **Field of Classification Search** D6/300-314;
D19/91, 86, 88, 65, 48, 60; D14/439, 432,
D14/252; D20/37, 42; D21/469; 40/122,
40/352, 341, 700, 358, 107, 726; 359/865

See application file for complete search history.

(56) **References Cited**

U.S. PATENT DOCUMENTS

D148,464 S	1/1948	Goldman	
D194,172 S	11/1962	Obata	
D196,548 S	10/1963	Nielsen	
D224,739 S	9/1972	Lamberson	
D259,051 S	4/1981	Nuttall et al.	
D262,027 S	11/1981	Francis	
4,802,751 A *	2/1989	Ueng 359/865
D306,319 S	2/1990	Evenson	
D316,275 S *	4/1991	Davis et al. D19/91

* cited by examiner

Primary Examiner—Caron Veynar

Assistant Examiner—Sydney R Buffalow

(74) *Attorney, Agent, or Firm*—Fredrikson & Byron, P.A.

(57) **CLAIM**

The ornamental design for a computer monitor mirror and note holder, as shown and described.

DESCRIPTION

FIG. 1 is a perspective view of computer monitor mirror and note holder showing our new design;

FIG. 2 is a front elevational view thereof;

FIG. 3 is a rear elevational view thereof;

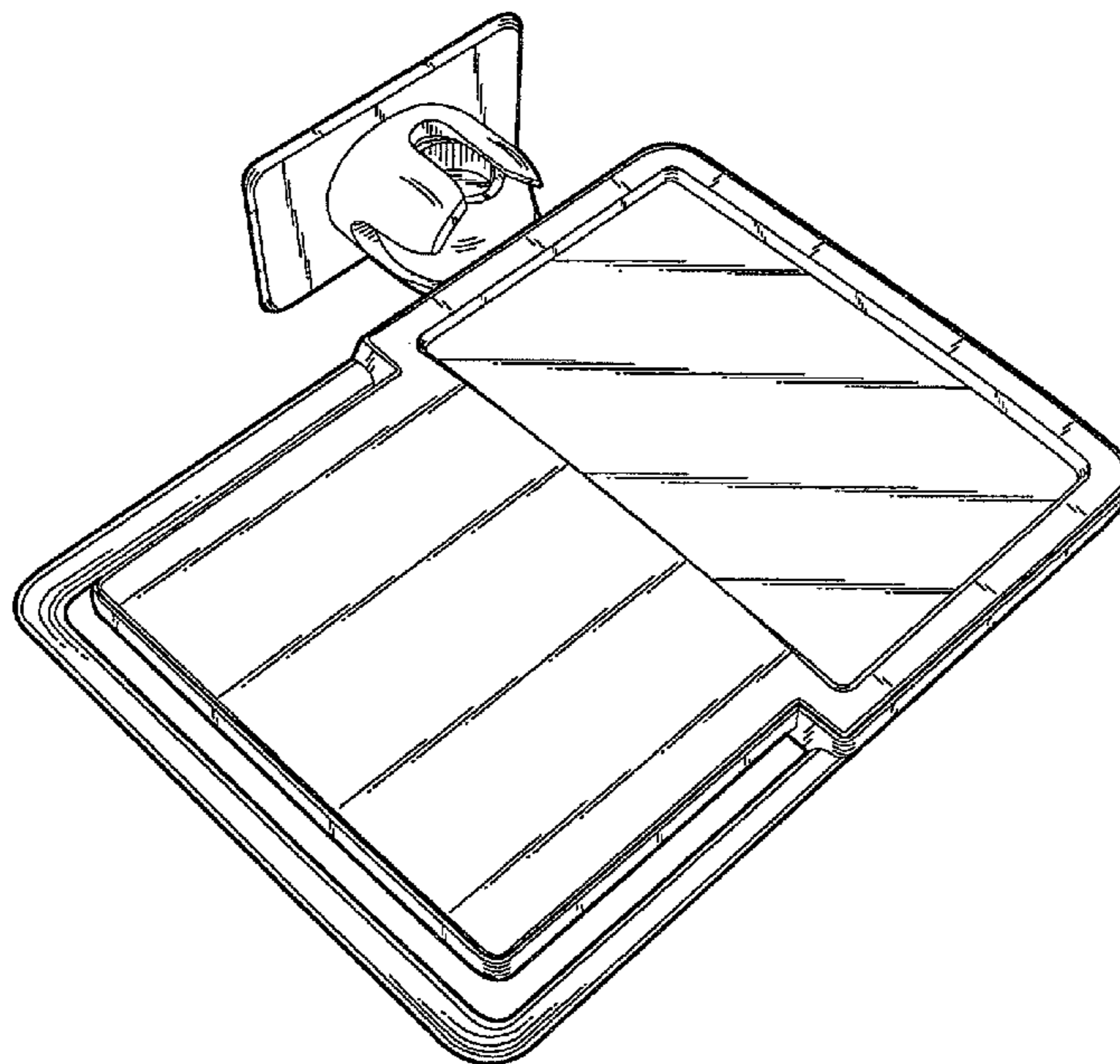
FIG. 4 is a right side elevational view thereof;

FIG. 5 is a left side elevational view thereof;

FIG. 6 is a top plan view thereof; and,

FIG. 7 is a bottom plan view.

1 Claim, 5 Drawing Sheets



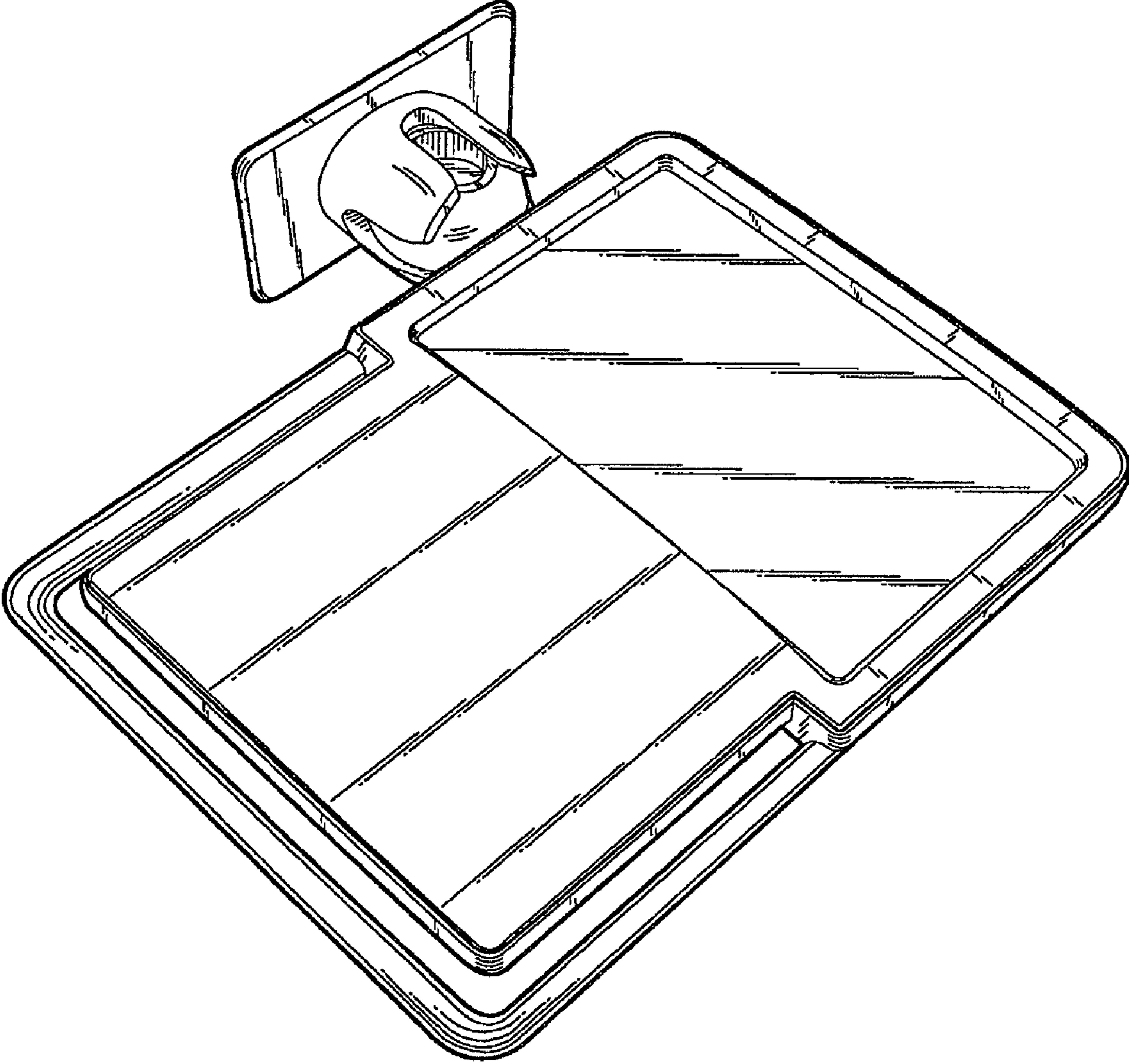


FIG. 1

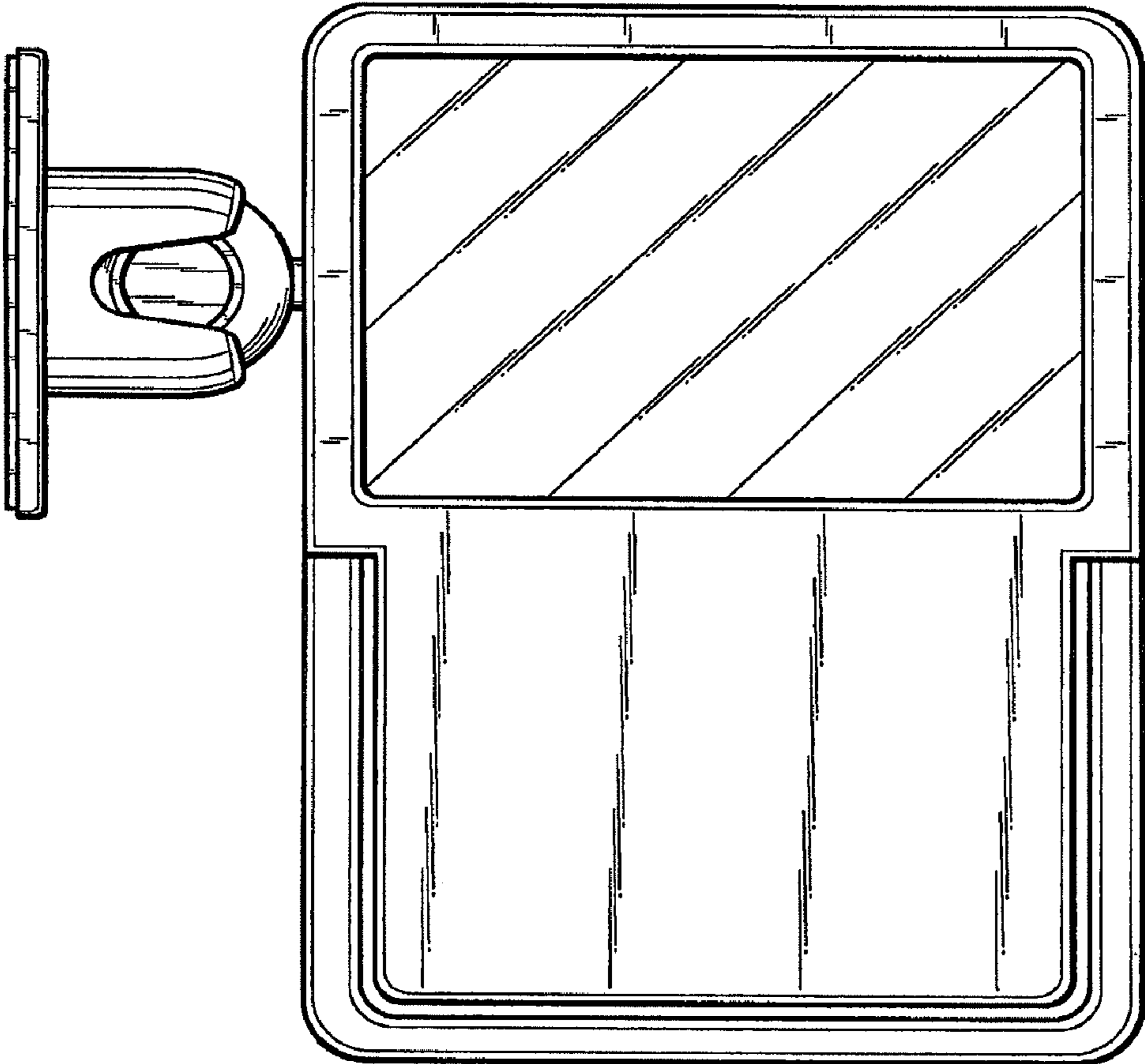


FIG. 2

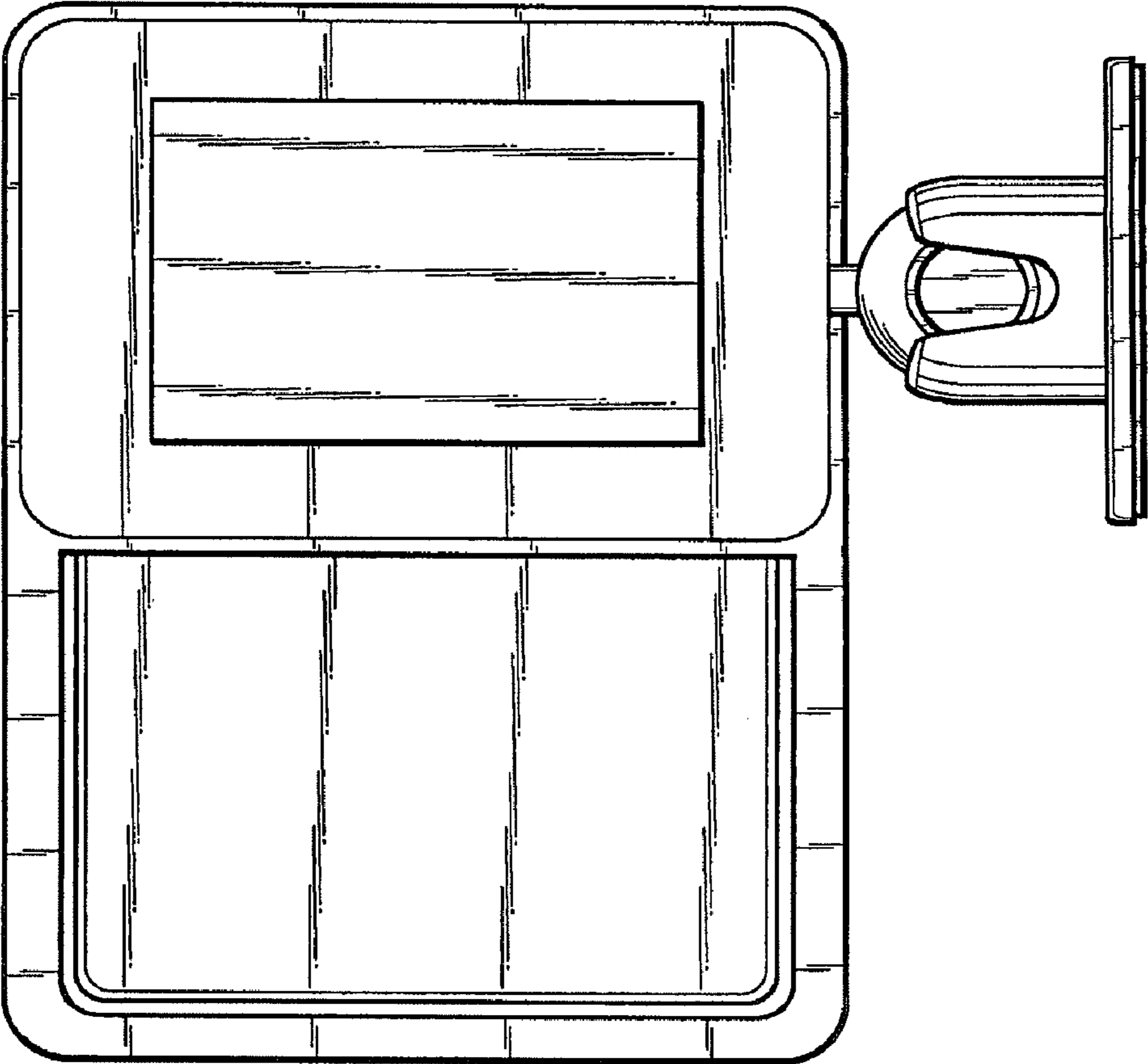


FIG. 3

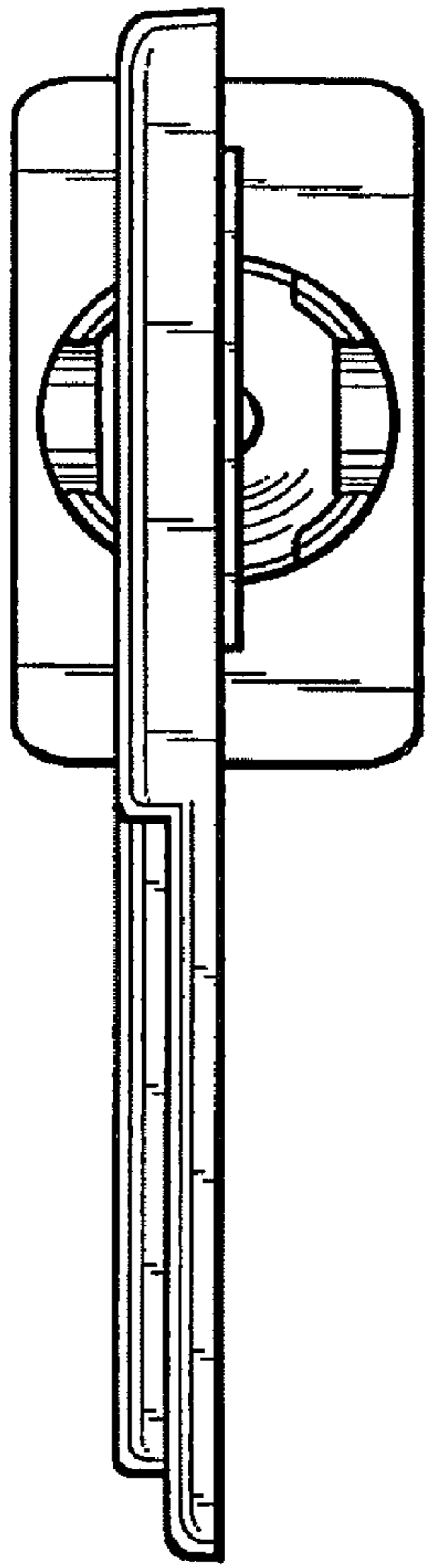


FIG. 4

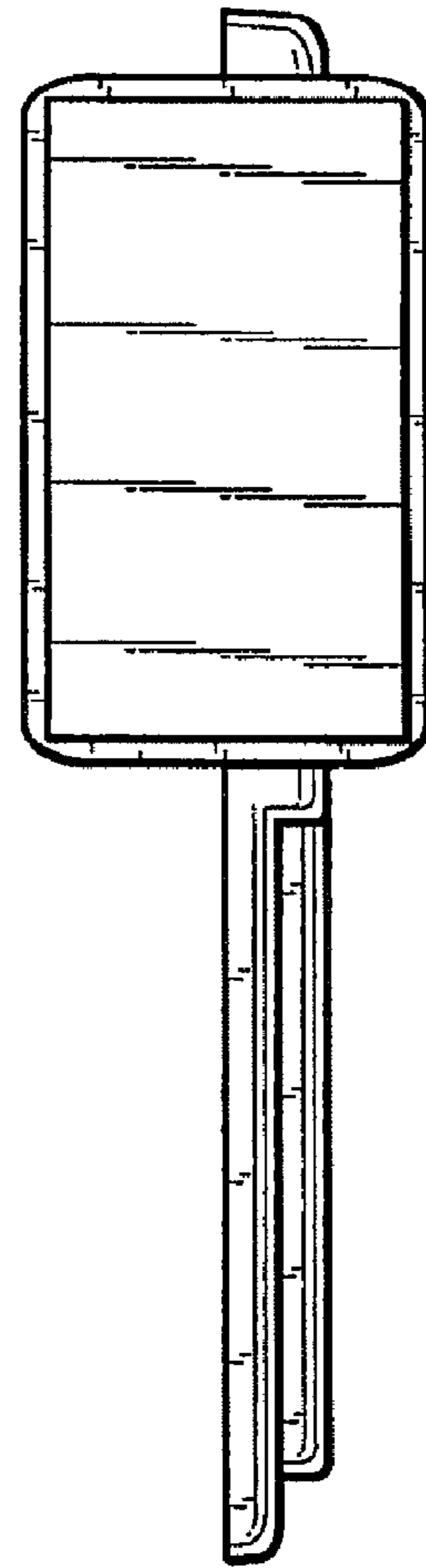


FIG. 5

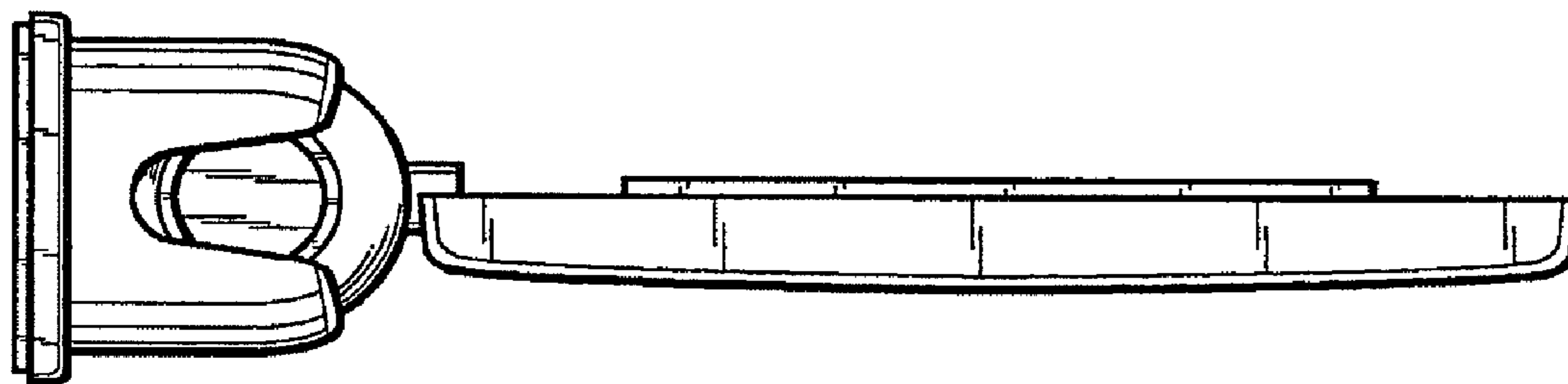


FIG. 6

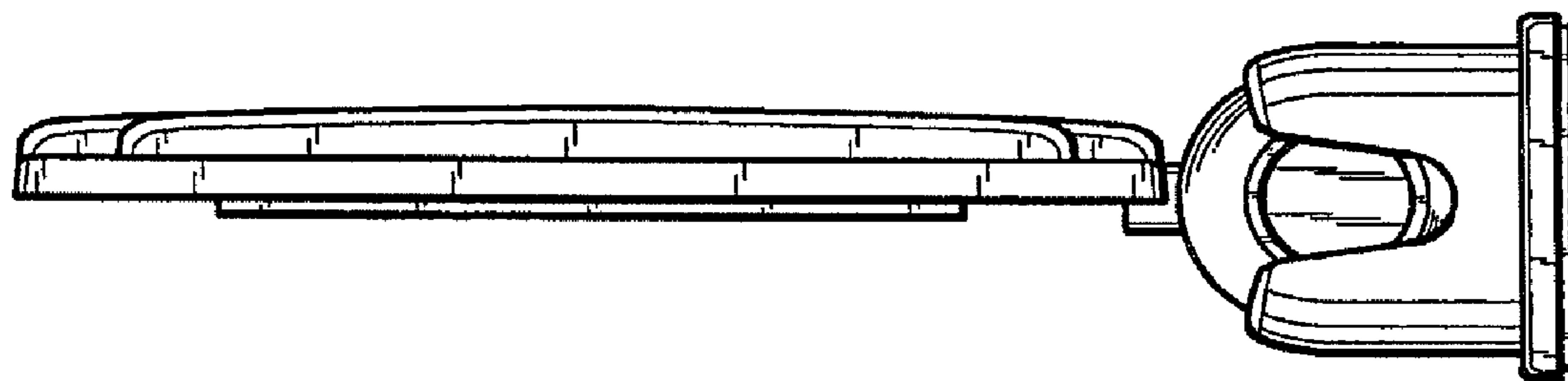


FIG. 7