



US00D591514S

(12) **United States Design Patent**
McNeil et al.

(10) **Patent No.:** **US D591,514 S**
(45) **Date of Patent:** **** May 5, 2009**

(54) **PET HAIR BROOM**

FOREIGN PATENT DOCUMENTS

(75) Inventors: **Meghan L. McNeil**, Grand Rapids, MI (US); **Douglas J. Medema**, Belding, MI (US)

JP 09010157 A * 1/1997

* cited by examiner

(73) Assignee: **BISSELL Homecare, Inc.**, Grand Rapids, MI (US)

Primary Examiner—Melanie H Tung

Assistant Examiner—Lavone D Tabor

(74) *Attorney, Agent, or Firm*—McGarry Bair PC

(**) Term: **14 Years**

(57) **CLAIM**

(21) Appl. No.: **29/327,878**

The ornamental design for a pet hair broom, as shown and described.

(22) Filed: **Nov. 14, 2008**

DESCRIPTION

(51) **LOC (9) Cl.** **04-01**

FIG. 1 is a front right side perspective view of a pet hair broom which embodies our design;

(52) **U.S. Cl.** **D4/135; D4/199**

FIG. 2 is a front view thereof;

(58) **Field of Classification Search** D4/132,

FIG. 3 is a rear view thereof;

D4/135, 138, 199; D32/35, 50, 51; 15/159.1,

FIG. 4 is a right side view thereof;

15/160, 168, 169, 171, 172, 175, 246

FIG. 5 is a left side view thereof;

See application file for complete search history.

FIG. 6 is a top view thereof; and,

(56) **References Cited**

FIG. 7 is a bottom view thereof.

U.S. PATENT DOCUMENTS

The broken line showing of a handle and bristles illustrates environmental structure which forms no part of the claimed design.

1,327,597 A * 1/1920 Greene 279/93

D371,003 S * 6/1996 Wolfenden D4/135

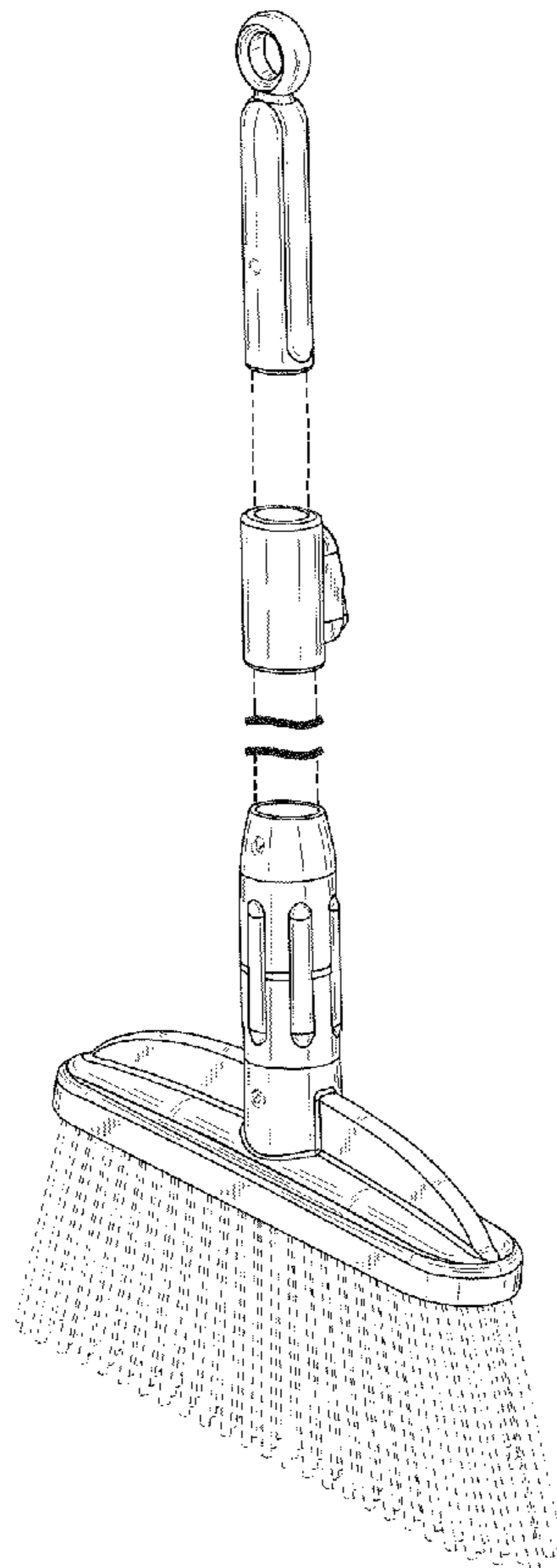
6,902,060 B2 * 6/2005 Michelson et al. 206/576

D509,963 S * 9/2005 Hay D4/135

7,284,295 B2 * 10/2007 Brugora 15/171

D571,069 S * 6/2008 Harper et al. D32/52

1 Claim, 4 Drawing Sheets



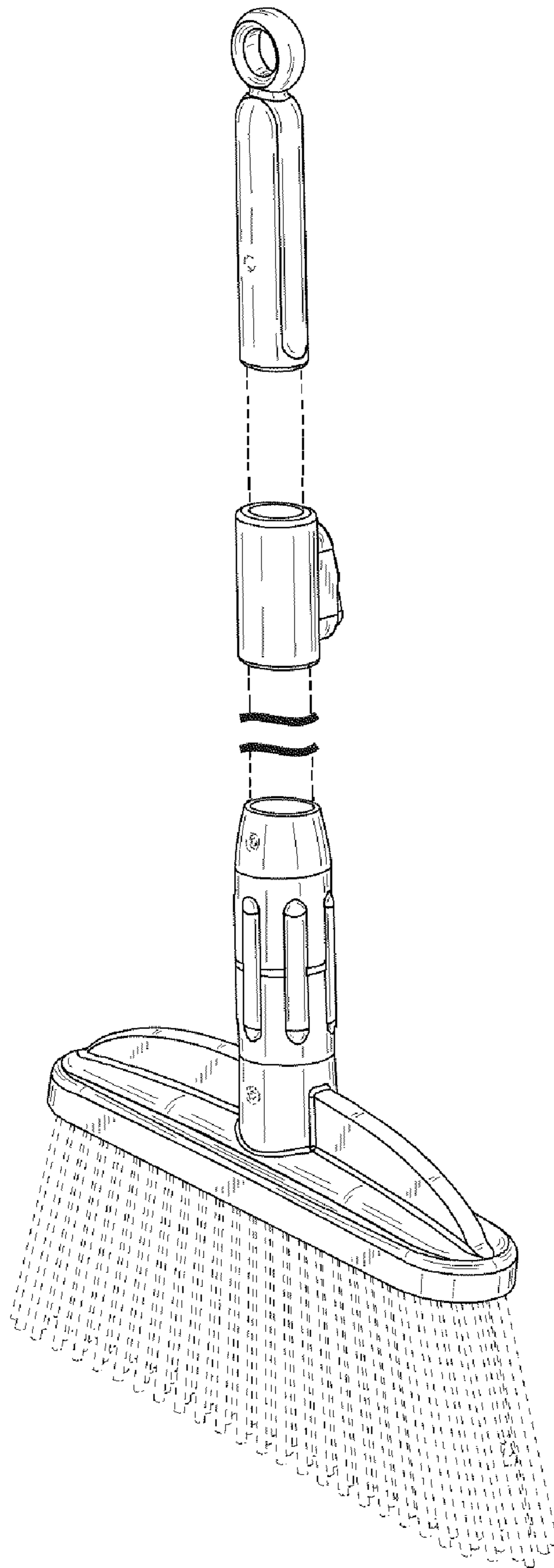


Fig. 1

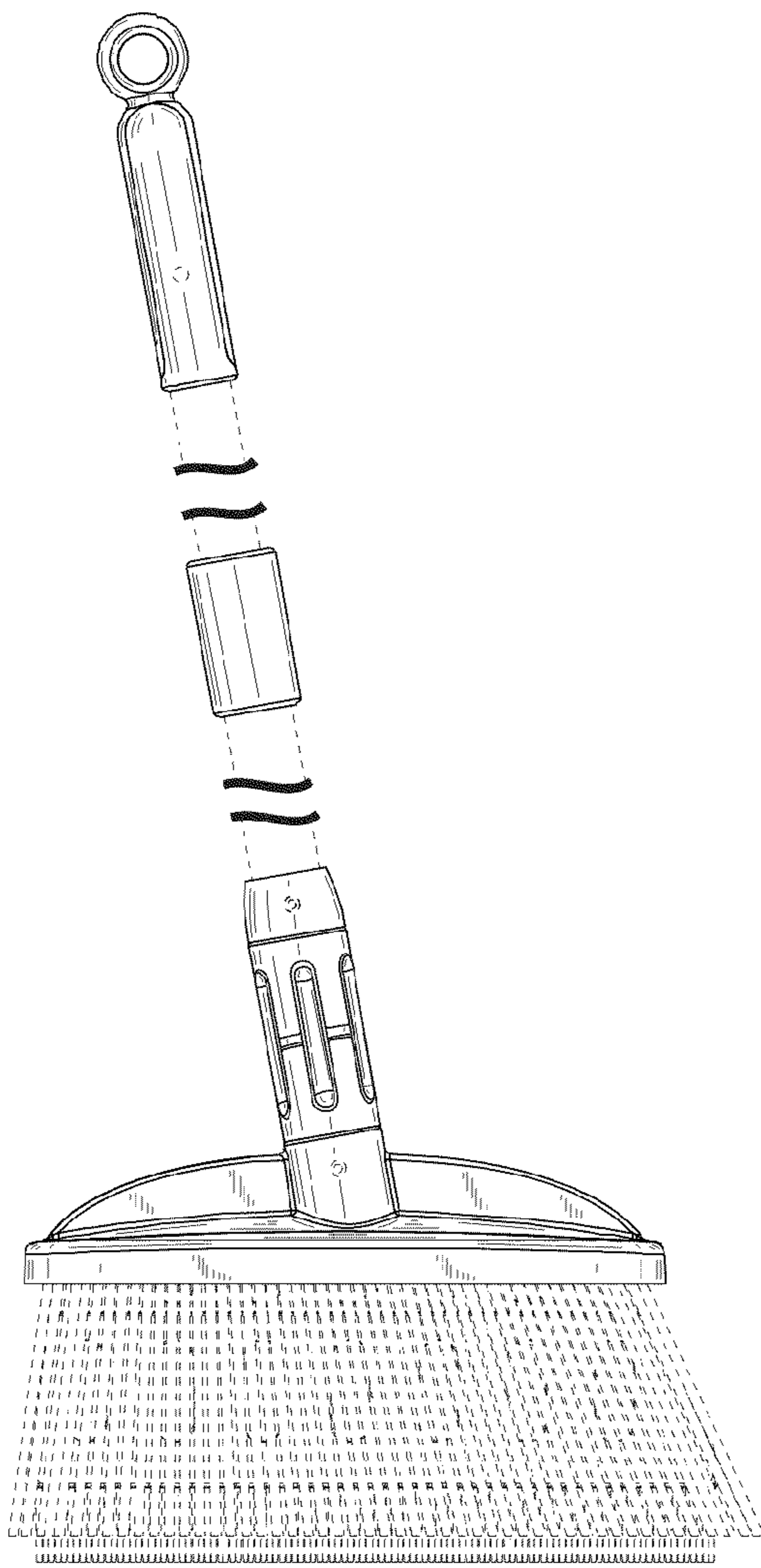


Fig. 2

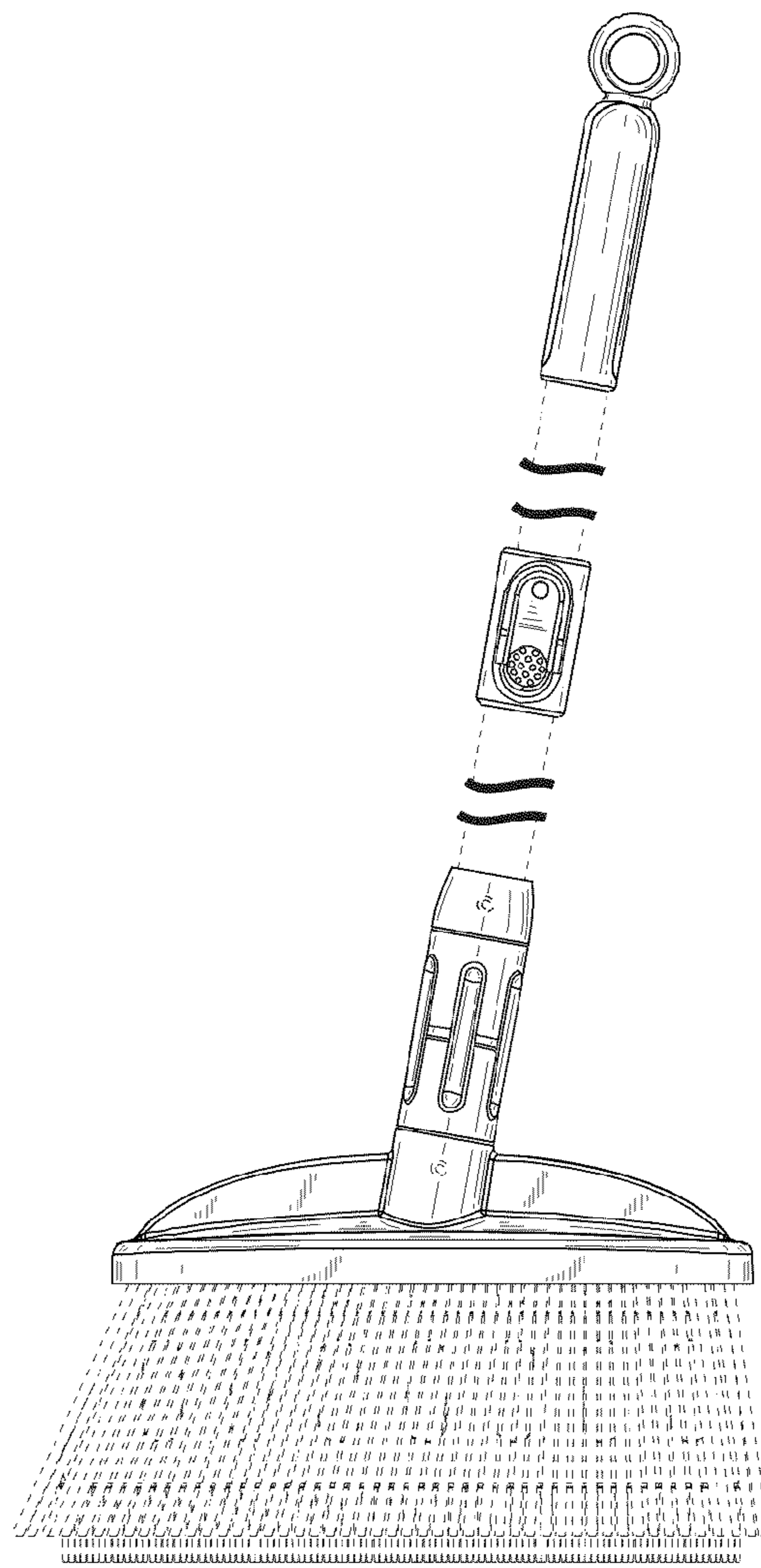


Fig. 3

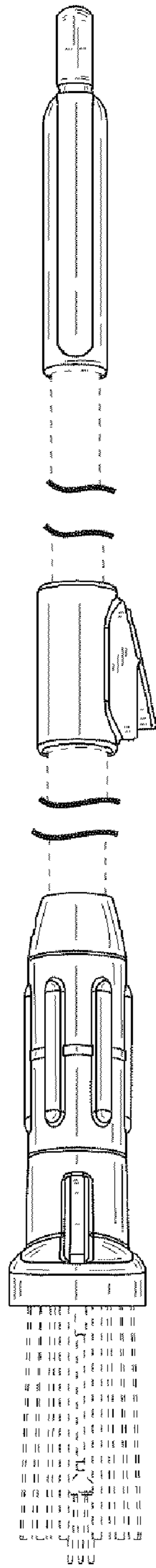


Fig. 4

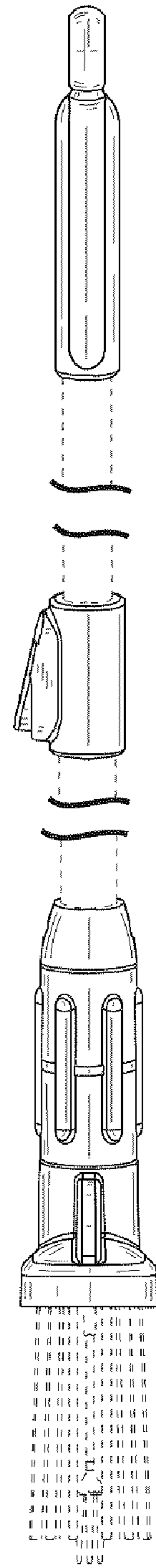


Fig. 5

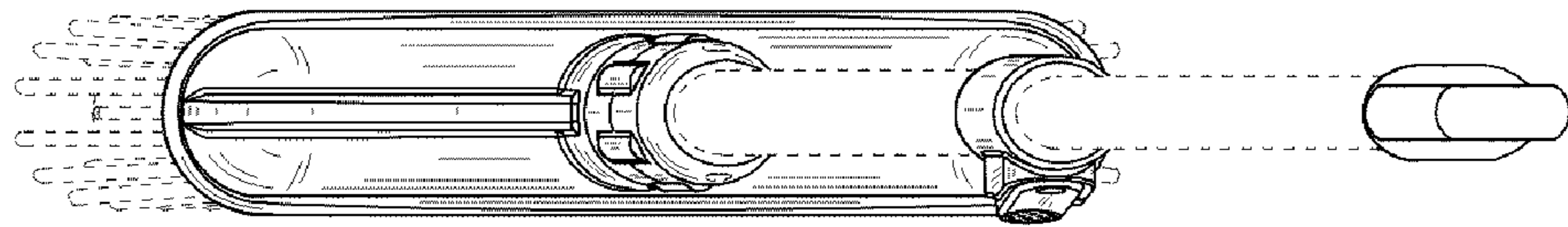


Fig. 6

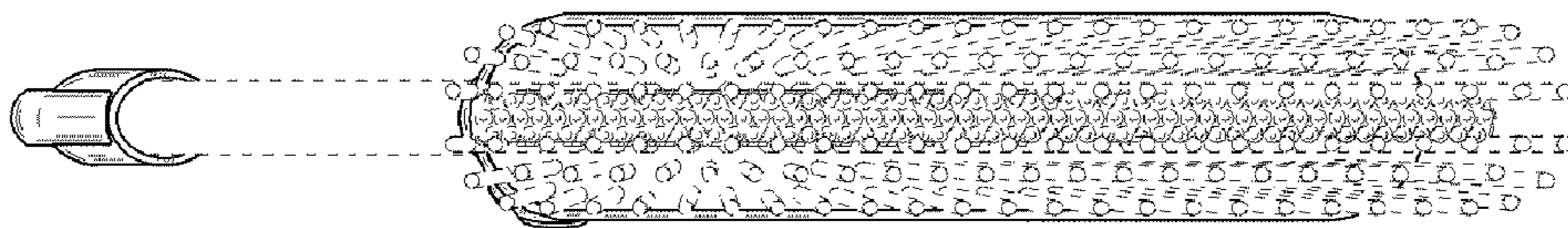


Fig. 7