



US00D591513S

(12) **United States Design Patent**
McNeil et al.

(10) **Patent No.:** **US D591,513 S**

(45) **Date of Patent:** **** May 5, 2009**

(54) **SCRUB BRUSH**

(75) Inventors: **Meghan L. McNeil**, Grand Rapids, MI (US); **Douglas J. Medema**, Belding, MI (US)

(73) Assignee: **BISSELL Homecare, Inc.**, Grand Rapids, MI (US)

(**) Term: **14 Years**

(21) Appl. No.: **29/327,810**

(22) Filed: **Nov. 13, 2008**

(51) **LOC (9) Cl.** **04-01**

(52) **U.S. Cl.** **D4/129**

(58) **Field of Classification Search** D4/129, D4/130, 134, 135, 137, 138, 199; D28/63; D32/50, 51; 15/143.1, 159.1, 160, 186-188
See application file for complete search history.

(56) **References Cited**

U.S. PATENT DOCUMENTS

D337,203 S *	7/1993	Ricciarelli et al.	D4/138
D398,427 S *	9/1998	Berti	D32/52
D436,448 S *	1/2001	Osiecki et al.	D4/129
D469,613 S *	2/2003	Libman et al.	D4/129
D479,050 S *	9/2003	Hay	D4/129
D577,203 S *	9/2008	Meyer	D4/129

OTHER PUBLICATIONS

4301—Durable Bristle Handle Scrub, Mr. Clean Tools [online]. Butler Home Products LLC © 2003 [retrieved on May 31, 2008] Retrieved from the Internet: <URL: http://web.archive.org/web/*/http://www.mrcleantools.com>.*

* cited by examiner

Primary Examiner—Melanie H Tung

Assistant Examiner—Lavone D Tabor

(74) *Attorney, Agent, or Firm*—McGarry Bair PC

(57) **CLAIM**

The ornamental design for a scrub brush, as shown and described.

DESCRIPTION

FIG. 1 is a front right side perspective view of a scrub brush which embodies our design;

FIG. 2 is a front view thereof;

FIG. 3 is a rear view thereof;

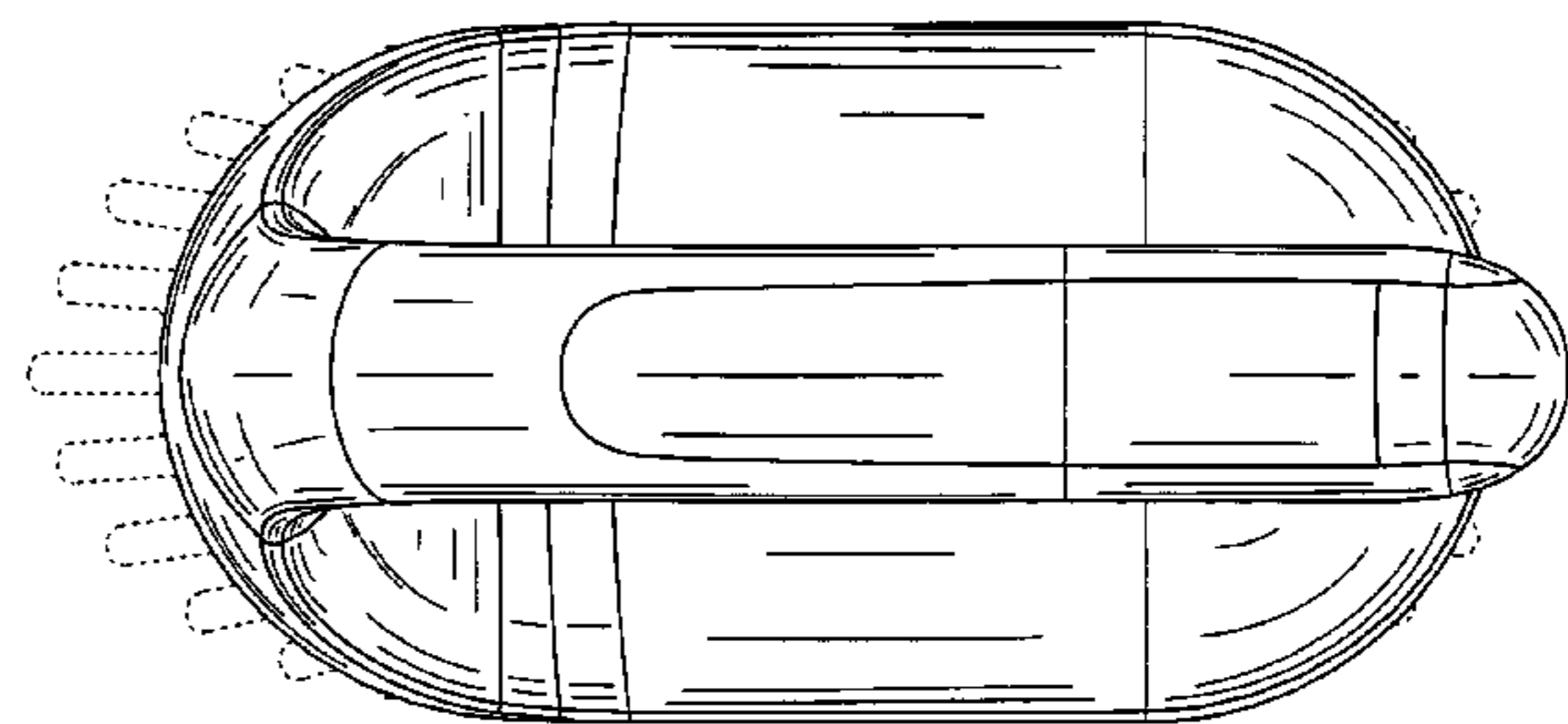
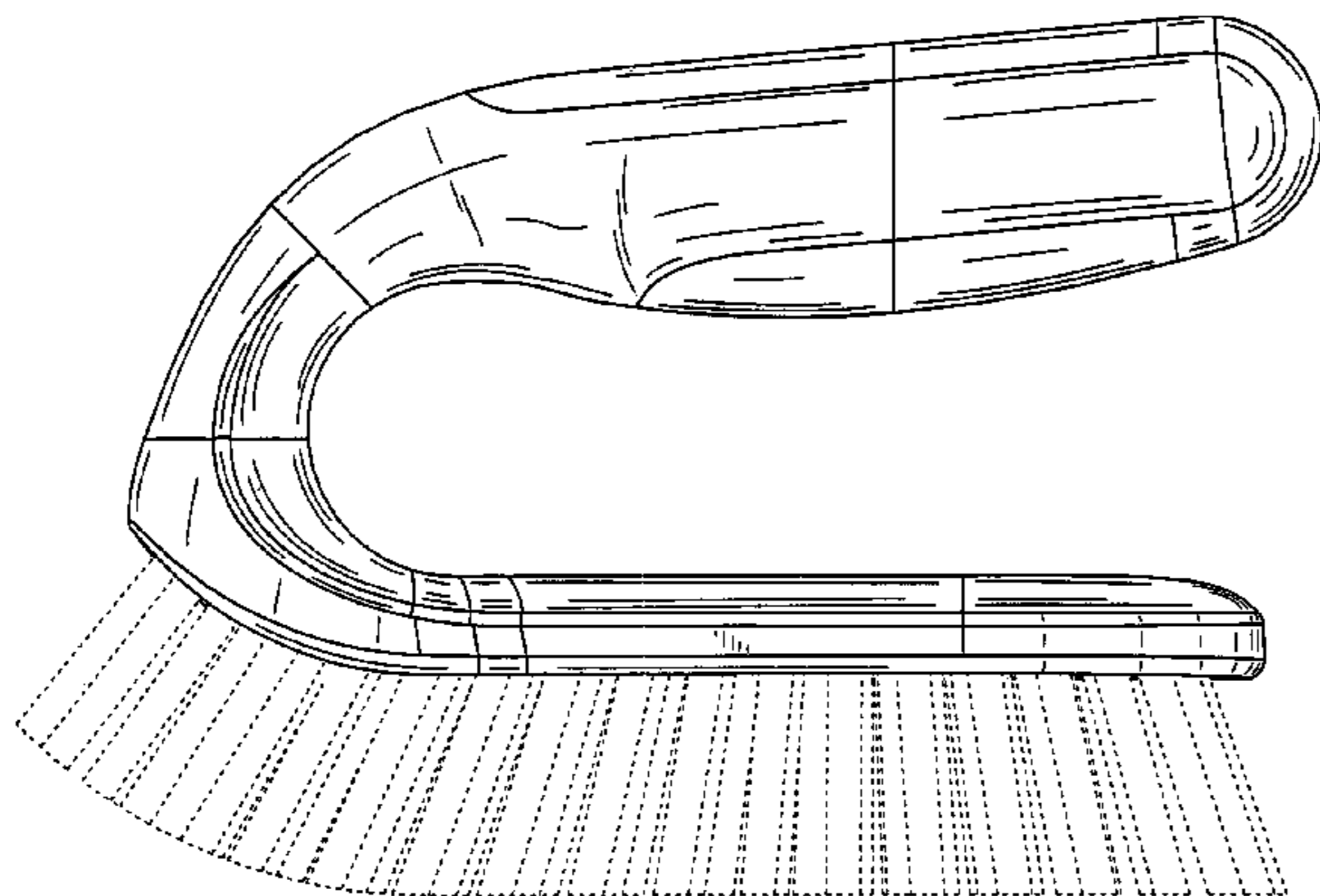
FIG. 4 is a right side view, the left side view being a mirror image thereof;

FIG. 5 is a top view thereof; and,

FIG. 6 is a bottom view thereof.

The broken line showing of bristles illustrates environmental structure which forms no part of the claimed design.

1 Claim, 4 Drawing Sheets



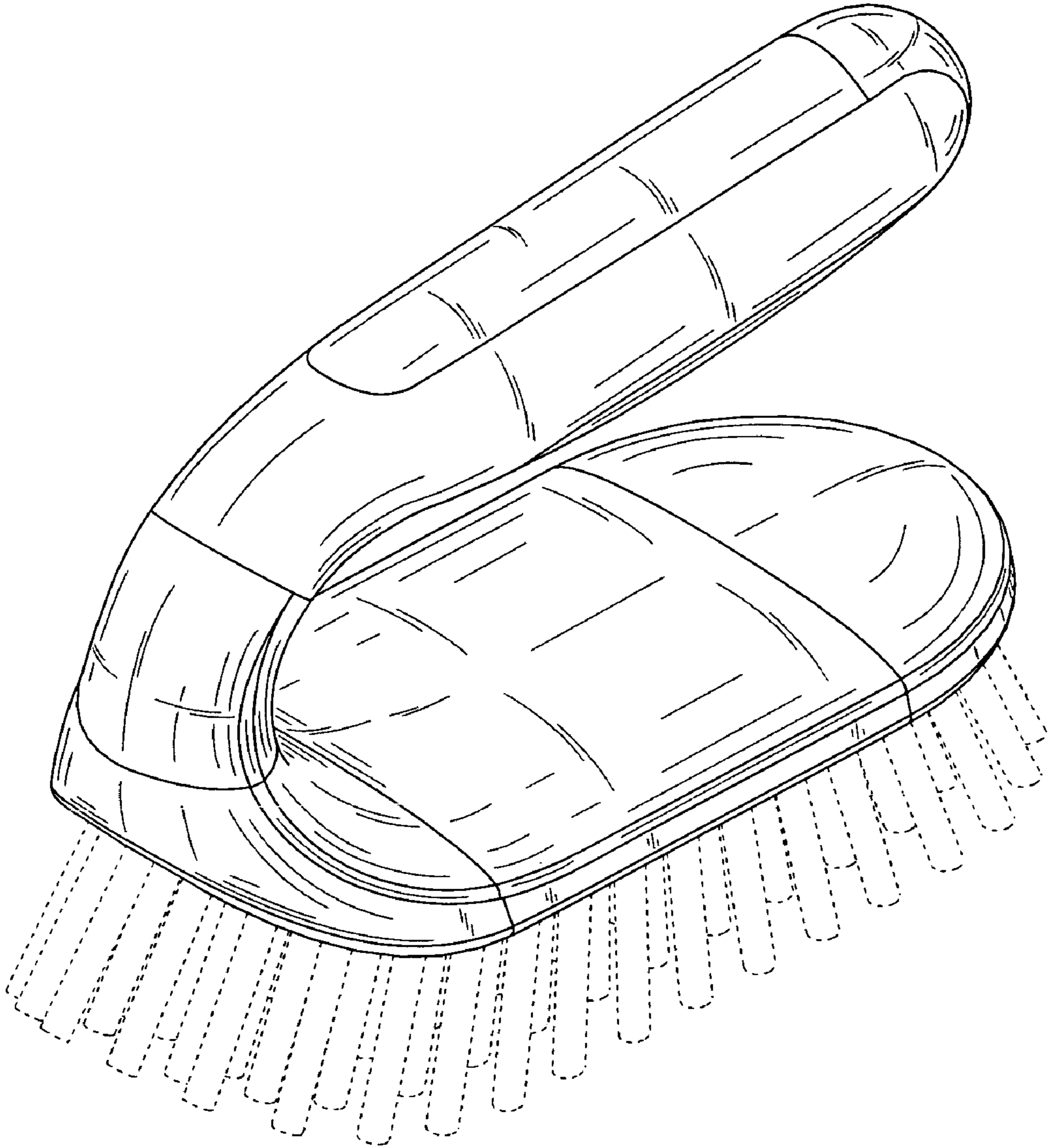


Fig. 1

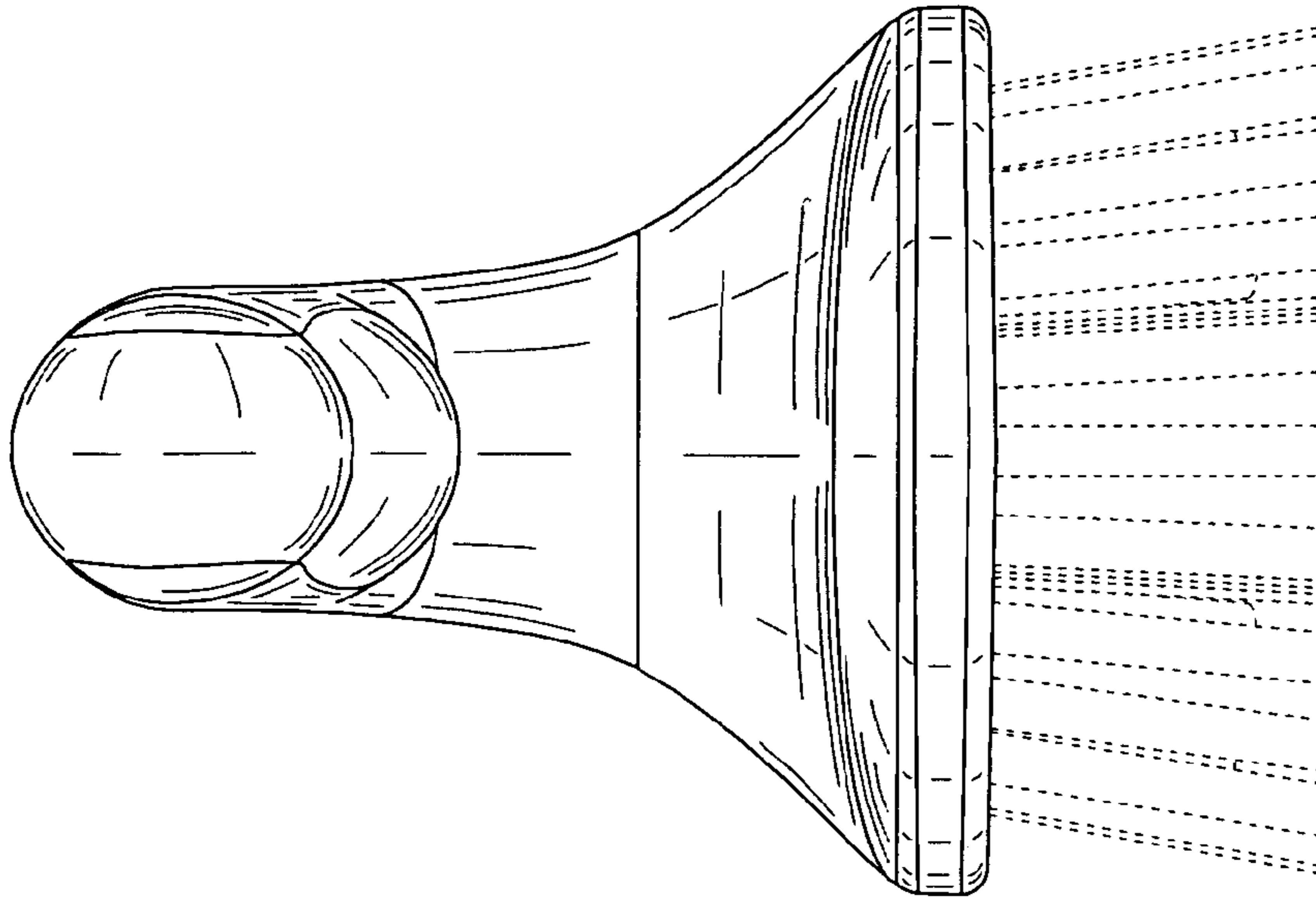


Fig. 3

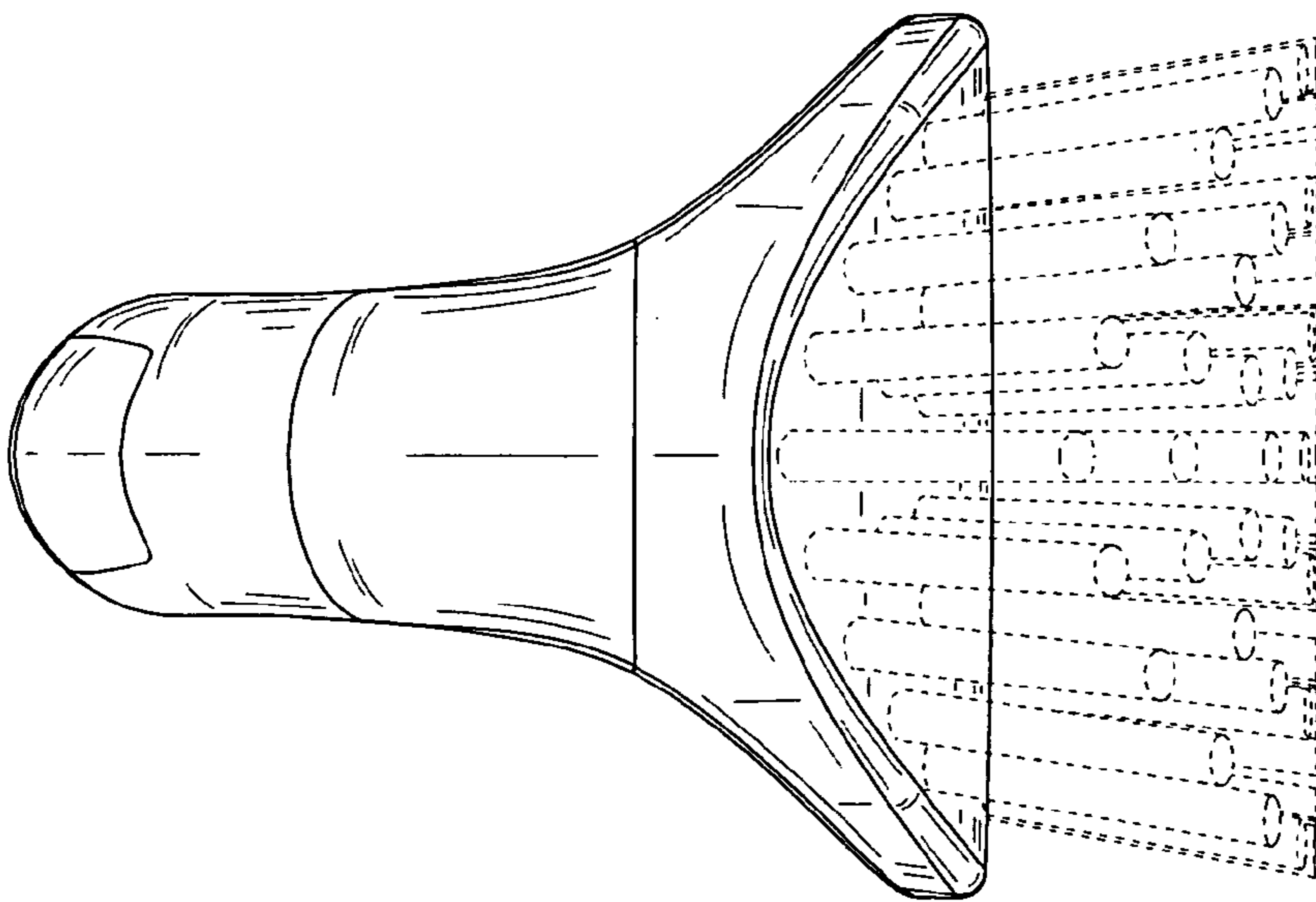


Fig. 2

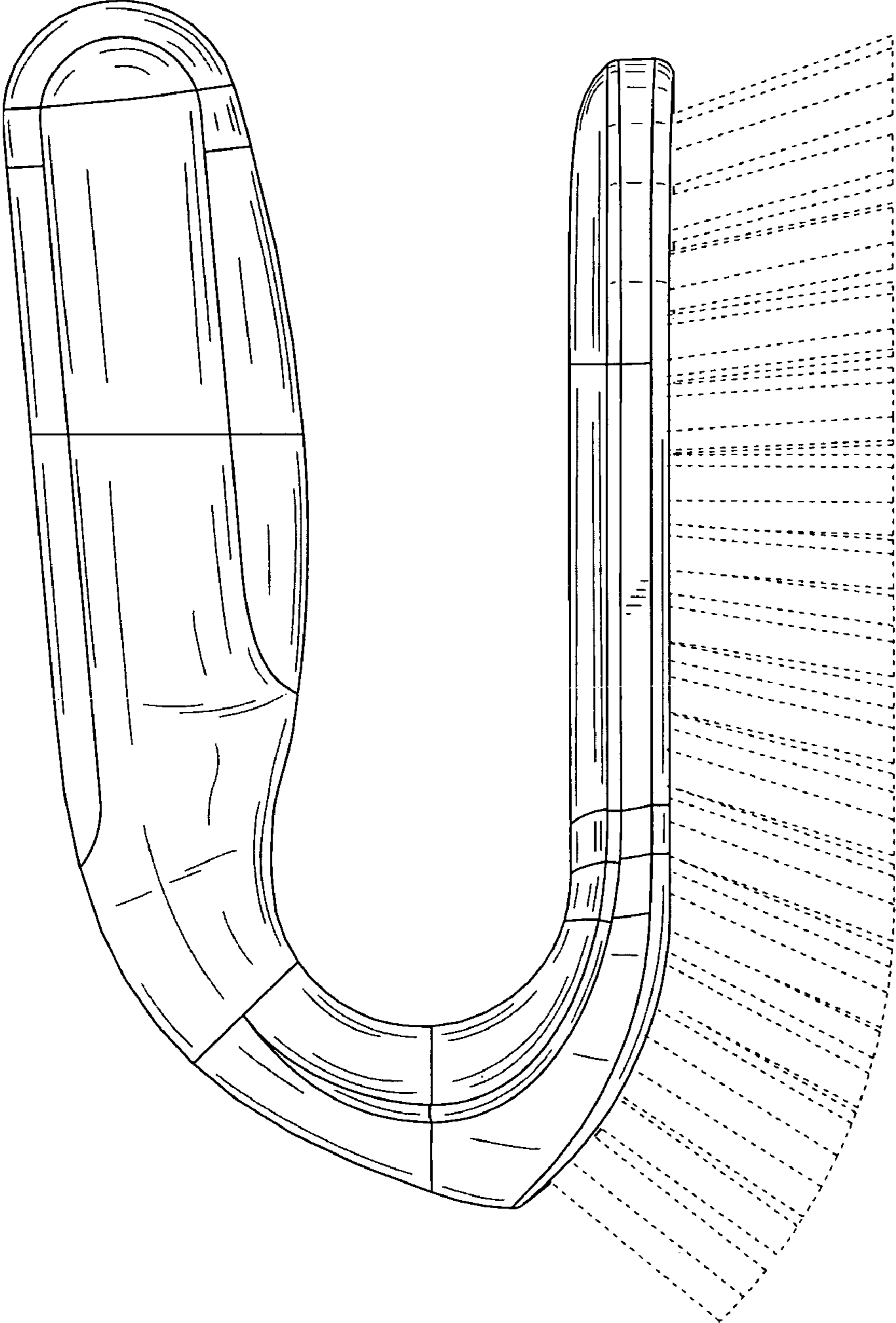


Fig. 4

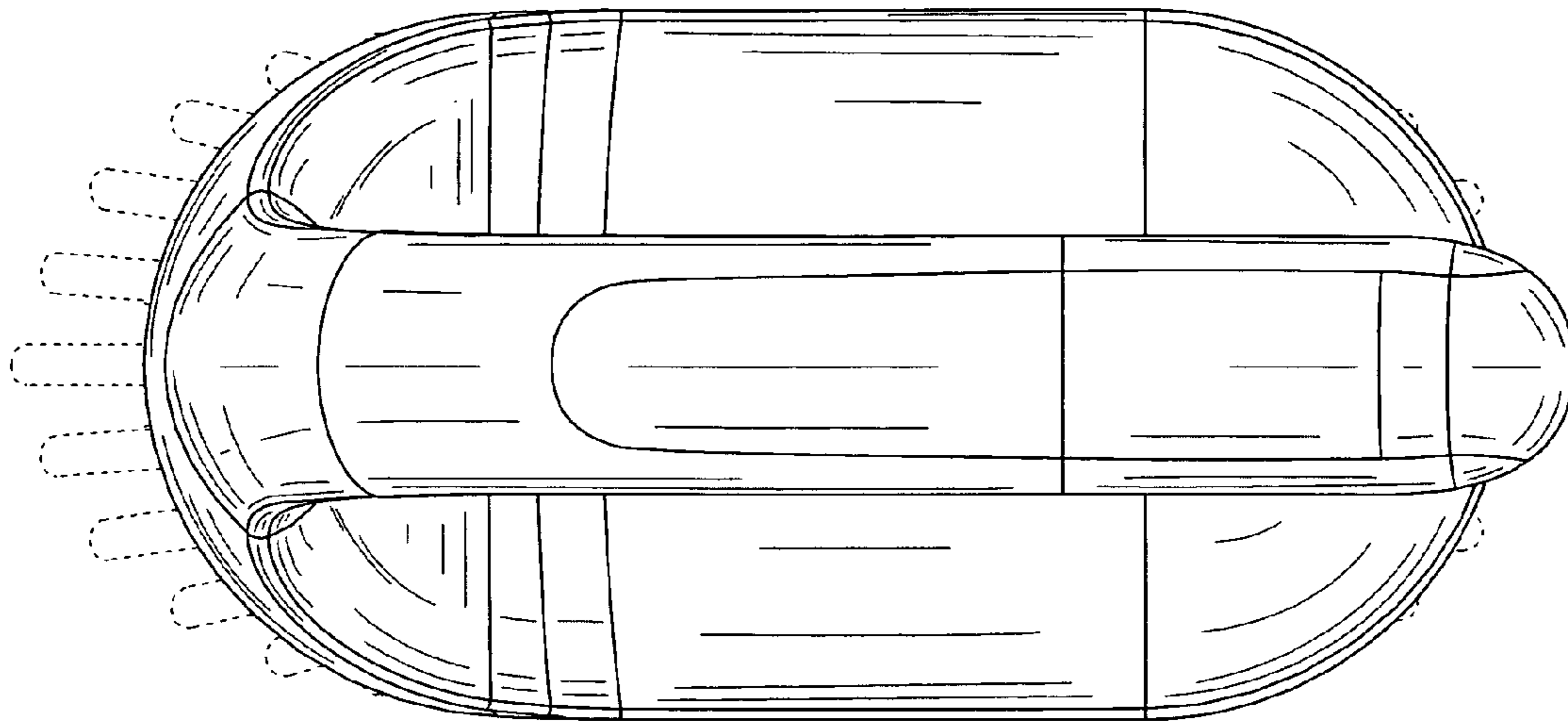


Fig. 5

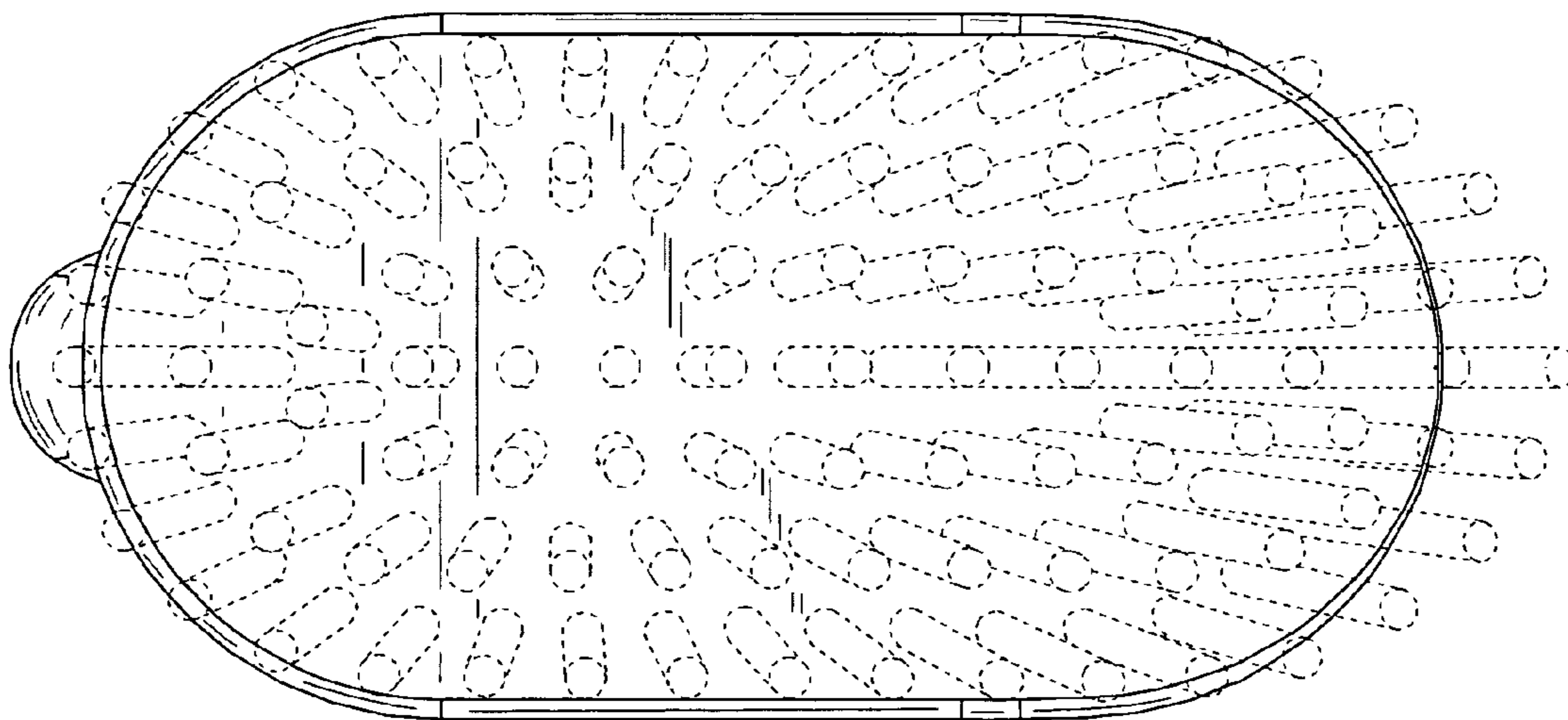


Fig. 6