

US00D591511S

(12) **United States Design Patent**  
**Wu**

(10) **Patent No.:** **US D591,511 S**

(45) **Date of Patent:** **\*\* May 5, 2009**

(54) **LUGGAGE GRIP**

(75) **Inventor:** **Chen-Chuan Wu**, Hsin Chuang (TW)

(73) **Assignee:** **Hersun Plastic Co., Ltd.**, Taipei Hsien (TW)

(\*\*) **Term:** **14 Years**

(21) **Appl. No.:** **29/317,592**

(22) **Filed:** **May 2, 2008**

(51) **LOC (9) Cl.** ..... **03-01**

(52) **U.S. Cl.** ..... **D3/318**

(58) **Field of Classification Search** ..... D3/318,  
D3/279, 282, 324, 328, 276, 289; D8/302,  
D8/306, 316, 317; 190/18 A, 110, 109, 111,  
190/112, 113, 114, 115; 16/110.1, 113.1,  
16/114.1, 45

See application file for complete search history.

(56) **References Cited**

**U.S. PATENT DOCUMENTS**

D424,400	S	*	5/2000	Lin	.....	D8/302
D440,482	S	*	4/2001	Chang	.....	D8/320
D460,265	S	*	7/2002	Chang	.....	D3/318
D504,773	S	*	5/2005	Lu	.....	D3/318
6,918,475	B2	*	7/2005	Lin et al.	.....	190/115
D528,302	S	*	9/2006	Moon	.....	D3/318
D532,973	S	*	12/2006	Moon	.....	D3/318
D552,850	S	*	10/2007	Wu	.....	D3/318
D553,363	S	*	10/2007	Chen	.....	D3/318

D553,364	S	*	10/2007	Moon	.....	D3/318
7,278,182	B2	*	10/2007	Wu	.....	16/113.1
D570,601	S	*	6/2008	Drew et al.	.....	D3/318
D572,905	S	*	7/2008	Wu	.....	D3/318
D575,511	S	*	8/2008	Moon	.....	D3/318
D581,160	S	*	11/2008	Tong	.....	D3/318
D583,153	S	*	12/2008	Wu	.....	D3/318
D583,564	S	*	12/2008	Wu	.....	D3/318
7,467,696	B2	*	12/2008	Wu	.....	190/115

\* cited by examiner

*Primary Examiner*—Holly H Baynham

*Assistant Examiner*—Sheryl Lane

(74) *Attorney, Agent, or Firm*—Ming Chow; Sinorica, LLC

(57) **CLAIM**

The ornamental design of a luggage grip, as shown and described.

**DESCRIPTION**

FIG. 1 is a perspective view of a luggage grip showing the new design;

FIG. 2 is a front view thereof;

FIG. 3 is a rear view thereof;

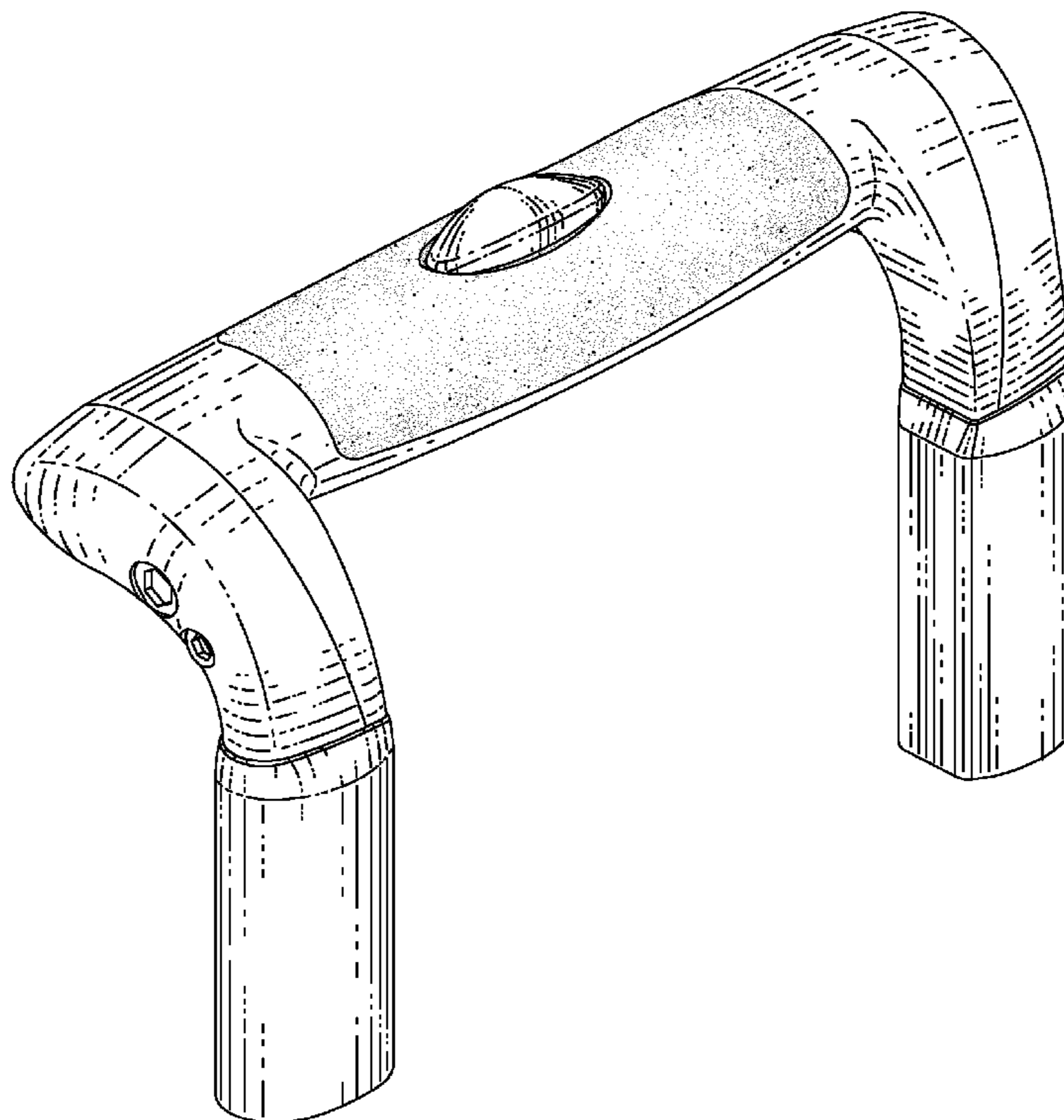
FIG. 4 is a left side view thereof;

FIG. 5 is a right side view thereof;

FIG. 6 is a top view thereof; and,

FIG. 7 is a bottom view thereof.

**1 Claim, 4 Drawing Sheets**



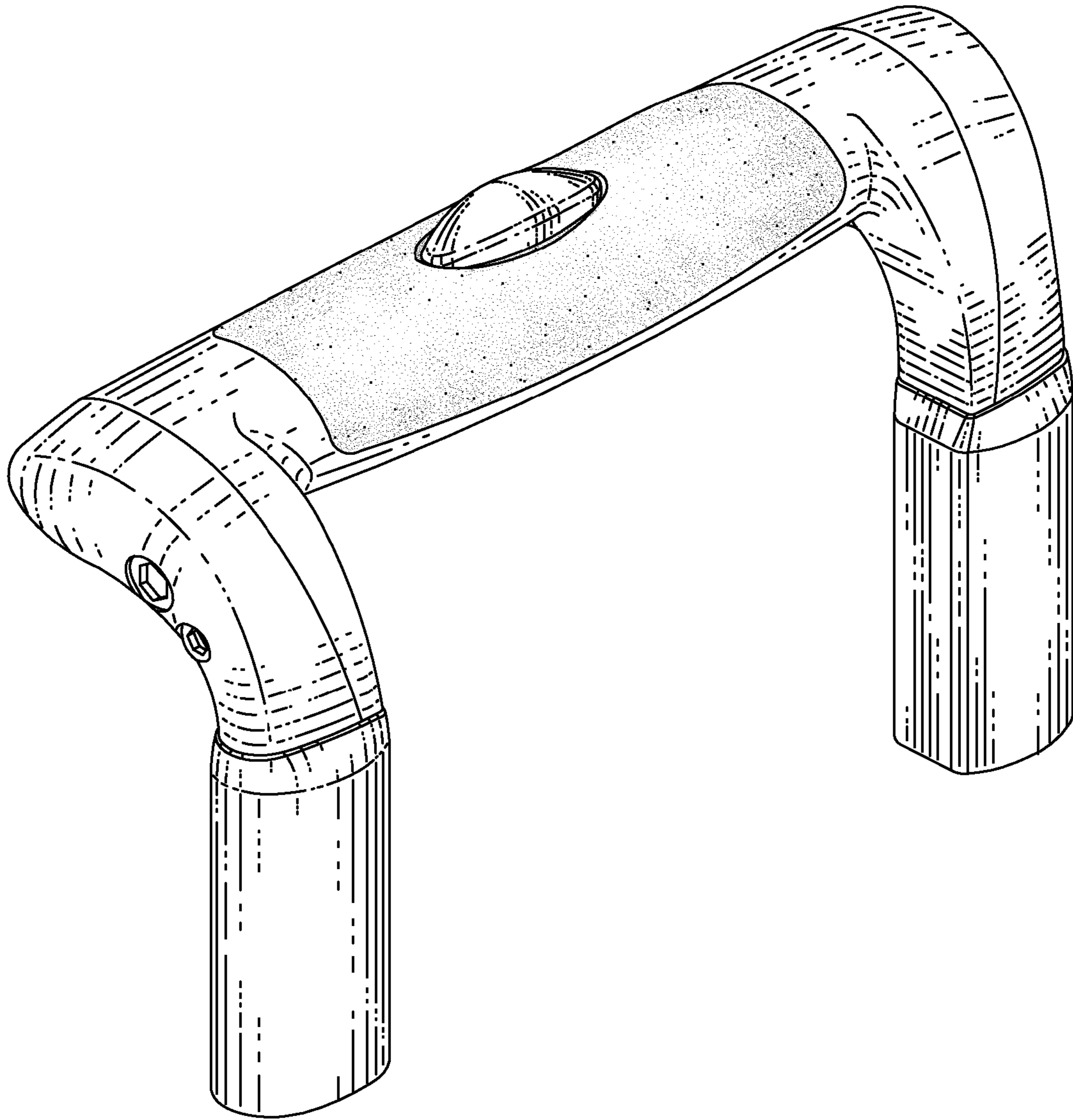


FIG. 1

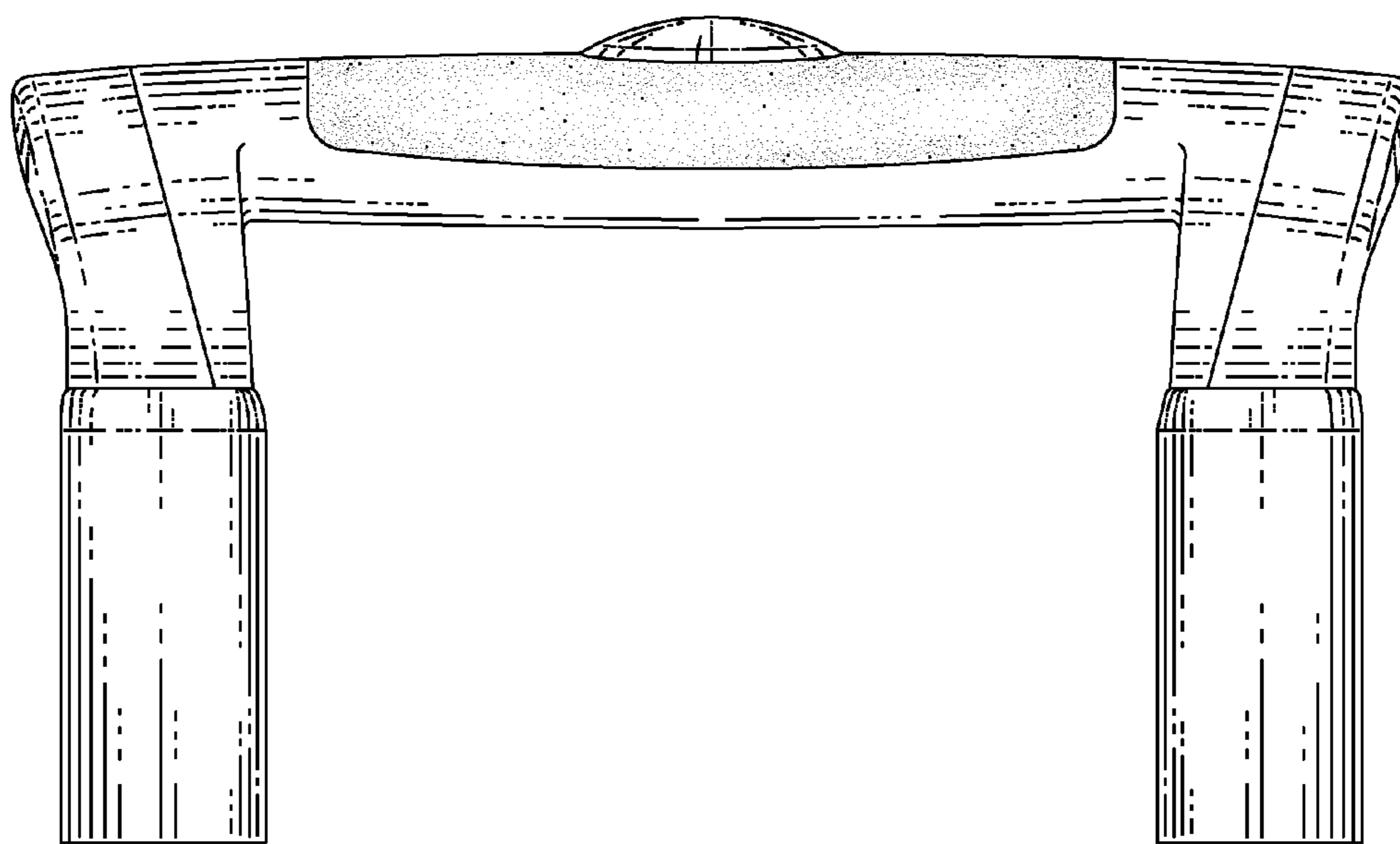


FIG. 2

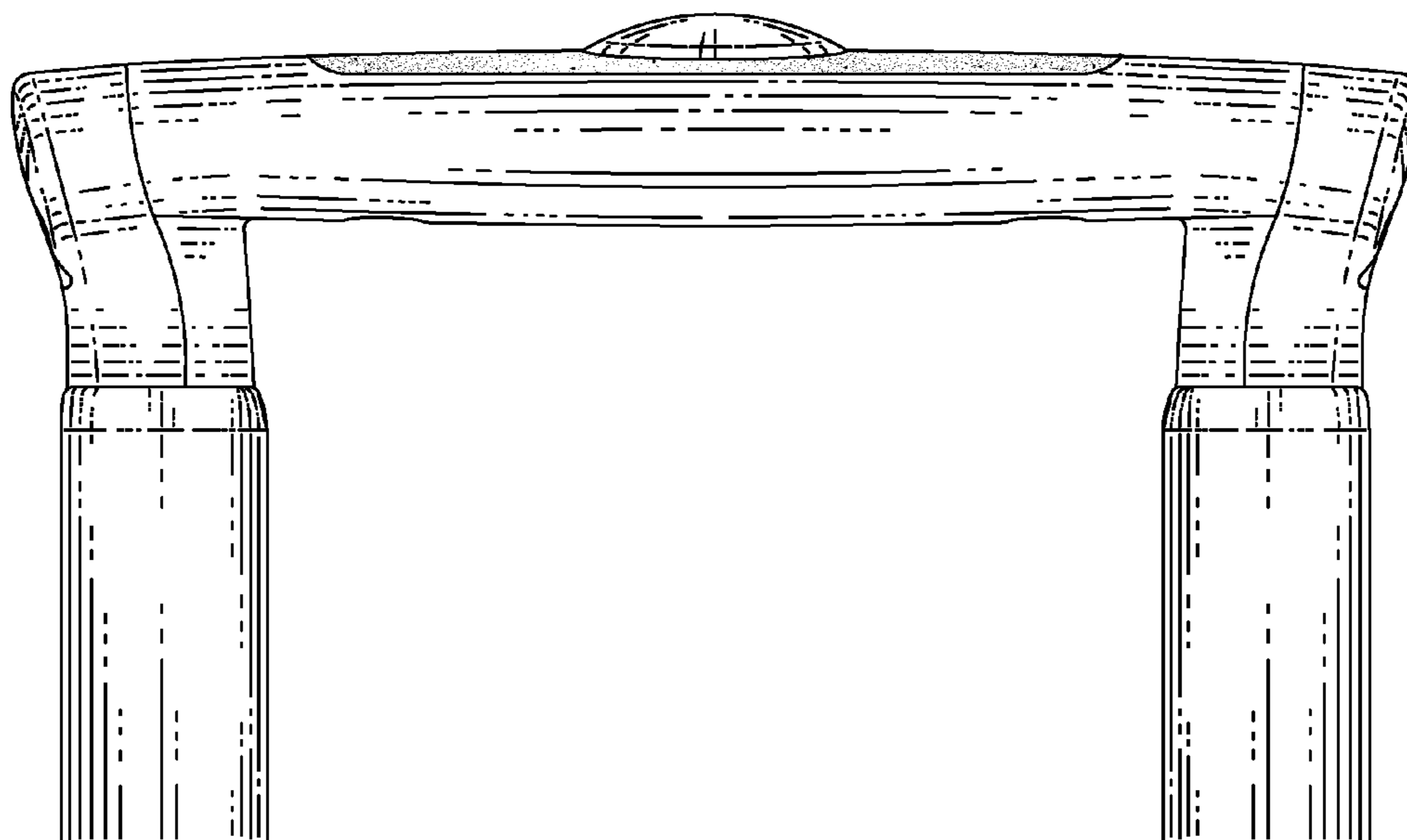


FIG. 3

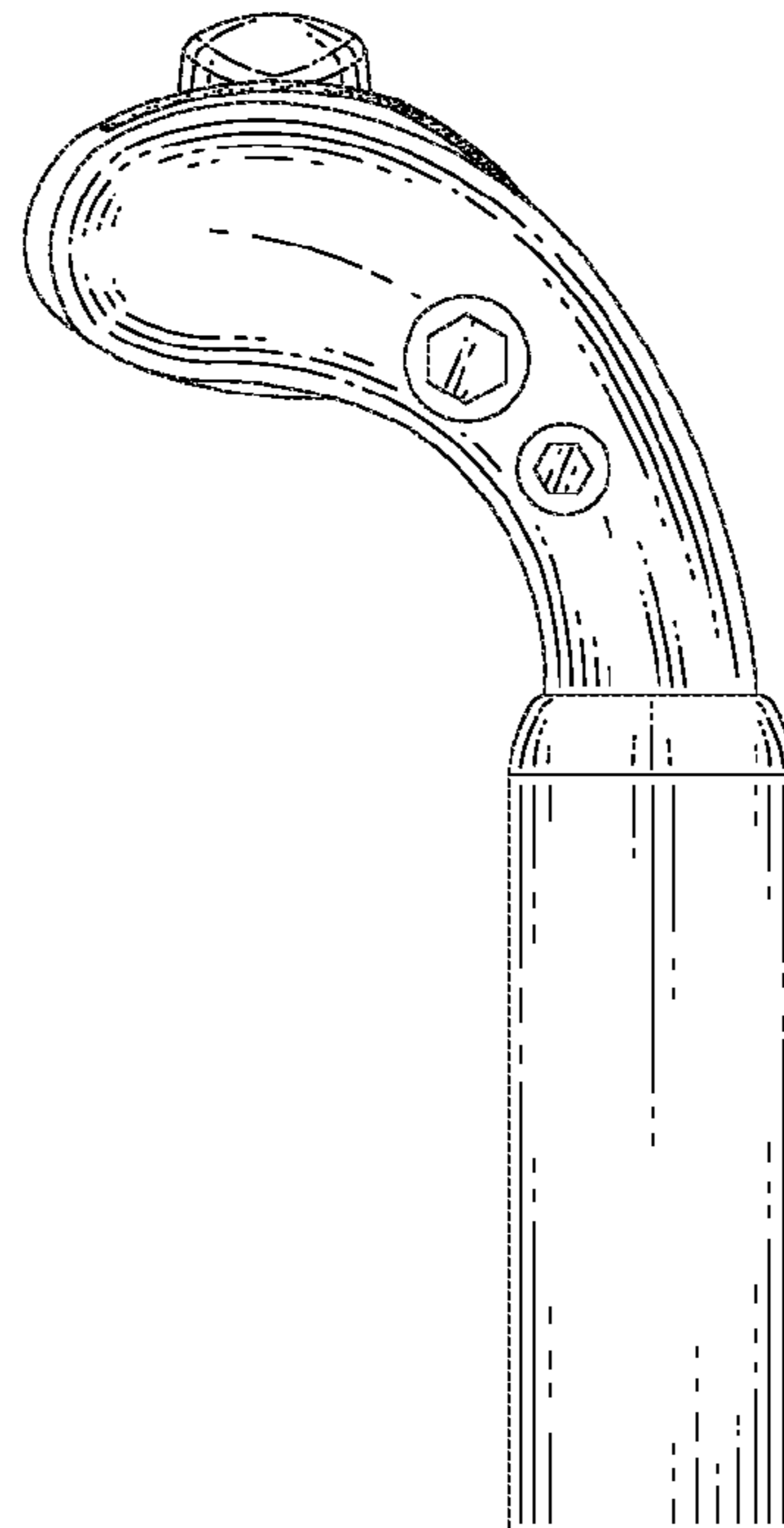


FIG. 4

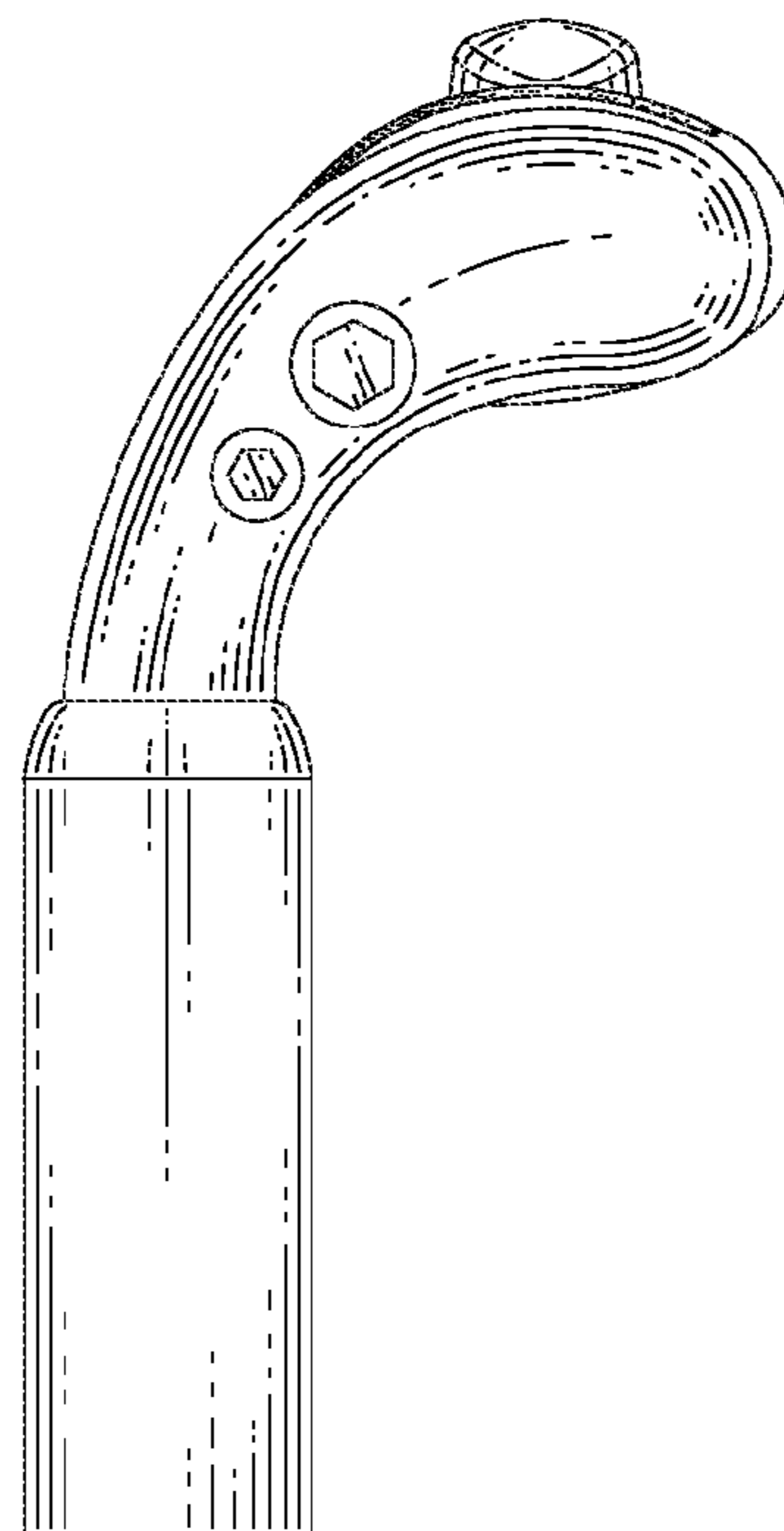


FIG. 5

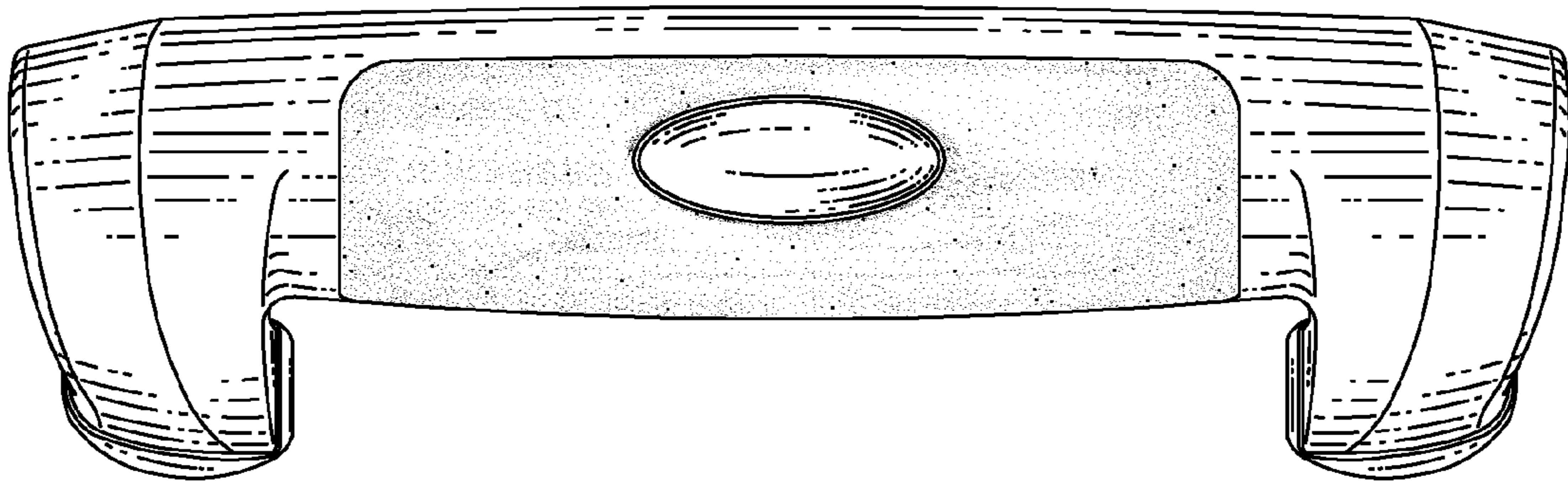


FIG. 6

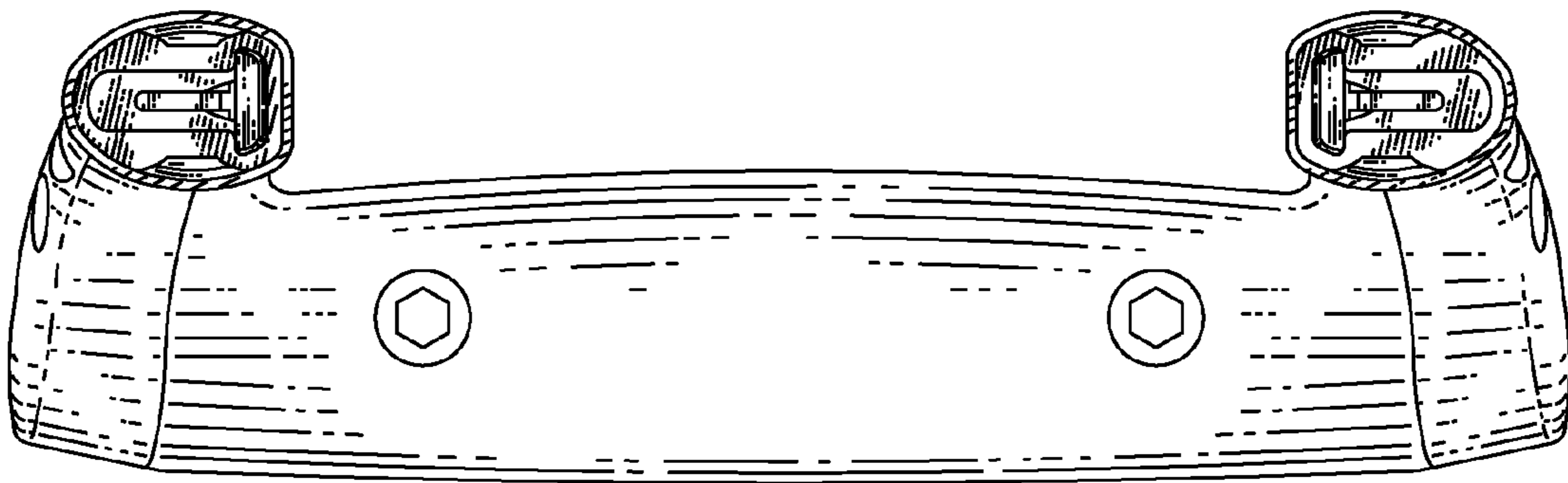


FIG. 7