



US00D591510S

(12) **United States Design Patent**  
**Auer et al.**

(10) **Patent No.:** **US D591,510 S**  
(45) **Date of Patent:** **\*\* May 5, 2009**

(54) **CONTAINER**

(75) Inventors: **Hans Peter Auer**, Bad Homburg (DE);  
**Wilhelm Cramer**, Bestwig/Nuttlar  
(DE); **Pawel Jaworski**, Ladenburg (DE)

(73) Assignee: **Reckitt Benkiser N.V.**, Hoofddorp (NL)

(\*\*) Term: **14 Years**

(21) Appl. No.: **29/297,659**

(22) Filed: **Nov. 15, 2007**

(30) **Foreign Application Priority Data**

May 18, 2007 (EM) ..... 000725320-0001

(51) **LOC (9) Cl.** ..... **03-01**

(52) **U.S. Cl.** ..... **D3/304**

(58) **Field of Classification Search** ..... D3/200,  
D3/201, 203.1, 203.3, 205-206, 273, 276,  
D3/304-315; D6/525, 475-476; D19/75,  
D19/77, 86, 90, 92, 100; 206/203, 214-215,  
206/822, 307.1; 229/100, 914, 913, 406  
See application file for complete search history.

(56) **References Cited**

**U.S. PATENT DOCUMENTS**

1,304,740 A \* 5/1919 Carpenter ..... 220/62.1

1,549,116 A \* 8/1925 Hardesty ..... 220/6  
D149,809 S \* 6/1948 Gordon ..... D3/314  
4,655,357 A \* 4/1987 Hampton, Jr. .... 220/1.5  
D375,836 S \* 11/1996 Conti ..... D3/304  
D427,769 S \* 7/2000 Zimmerman ..... D3/302  
D530,918 S \* 10/2006 Snell ..... D3/304  
D530,919 S \* 10/2006 Snell ..... D3/304  
D538,536 S \* 3/2007 Kopenhaver et al. .... D3/305

\* cited by examiner

*Primary Examiner*—T. Chase Nelson  
*Assistant Examiner*—Eric L Goodman

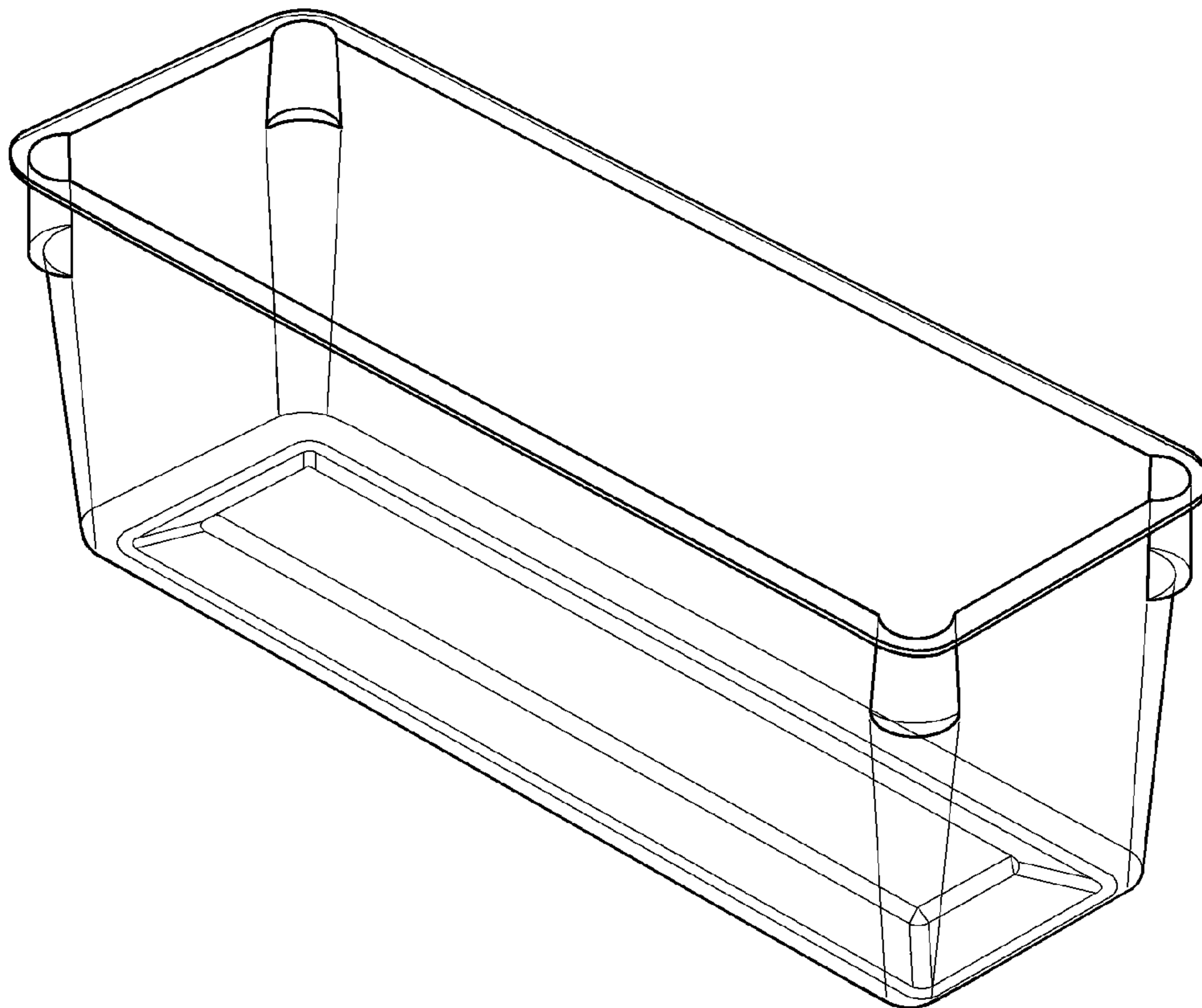
(57) **CLAIM**

The ornamental design for a container, as shown and described.

**DESCRIPTION**

FIG. 1 is a top perspective view of the front of the container;  
FIG. 2 is an elevation view of the front thereof, the rear being  
identical thereto;  
FIG. 3 is an elevation view of a side thereof, the opposite side  
being identical thereto; and,  
FIG. 4 is a plan view of the bottom thereof.

**1 Claim, 2 Drawing Sheets**



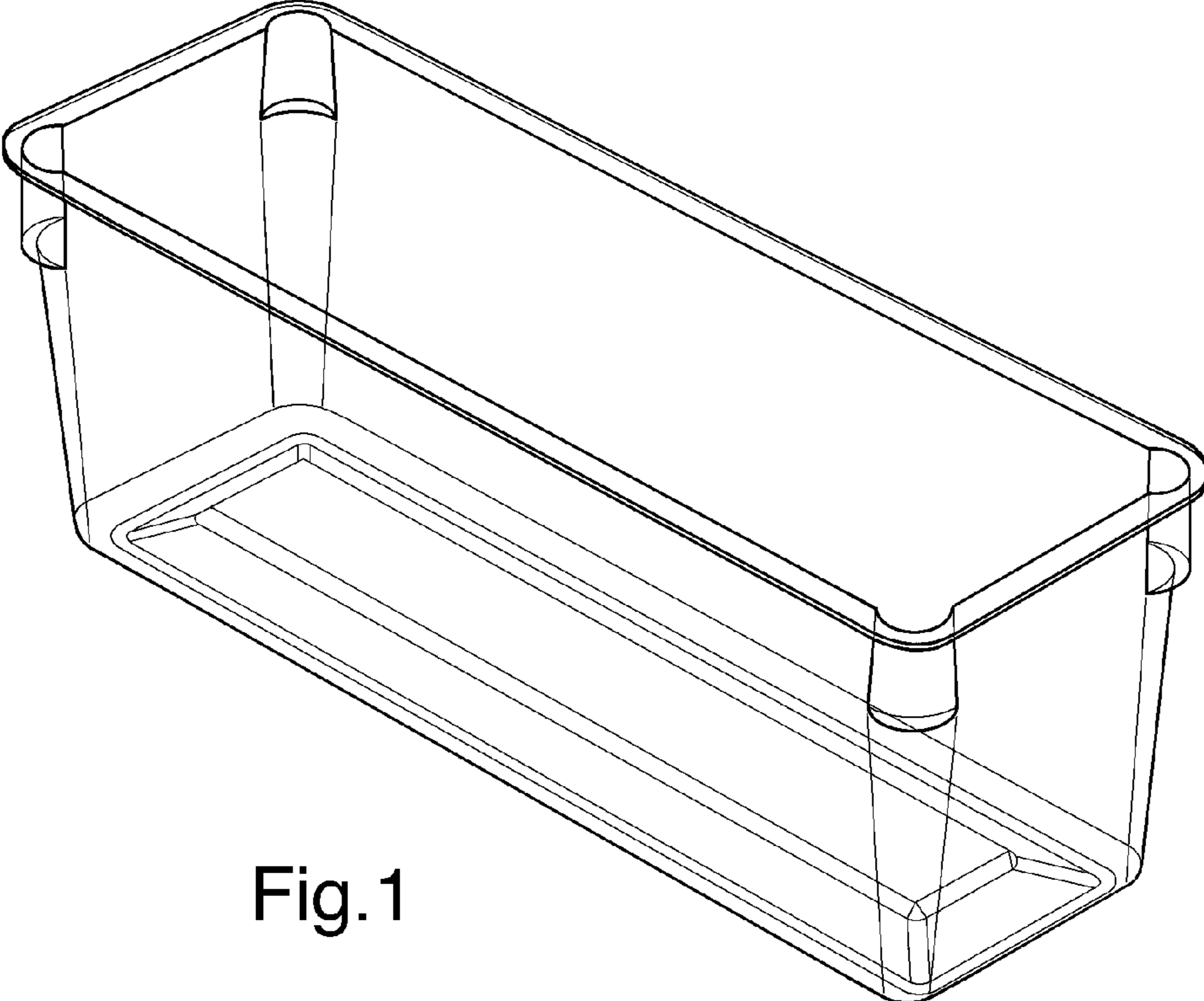


Fig. 1

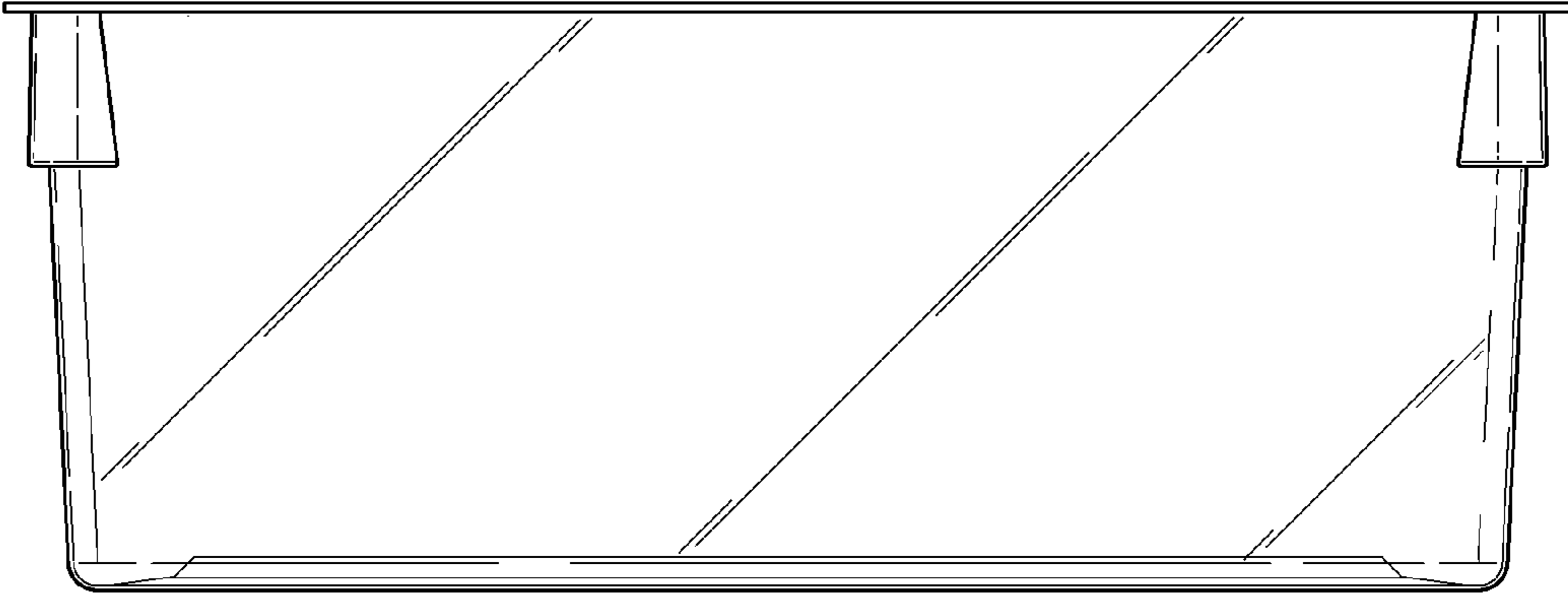


Fig. 2.

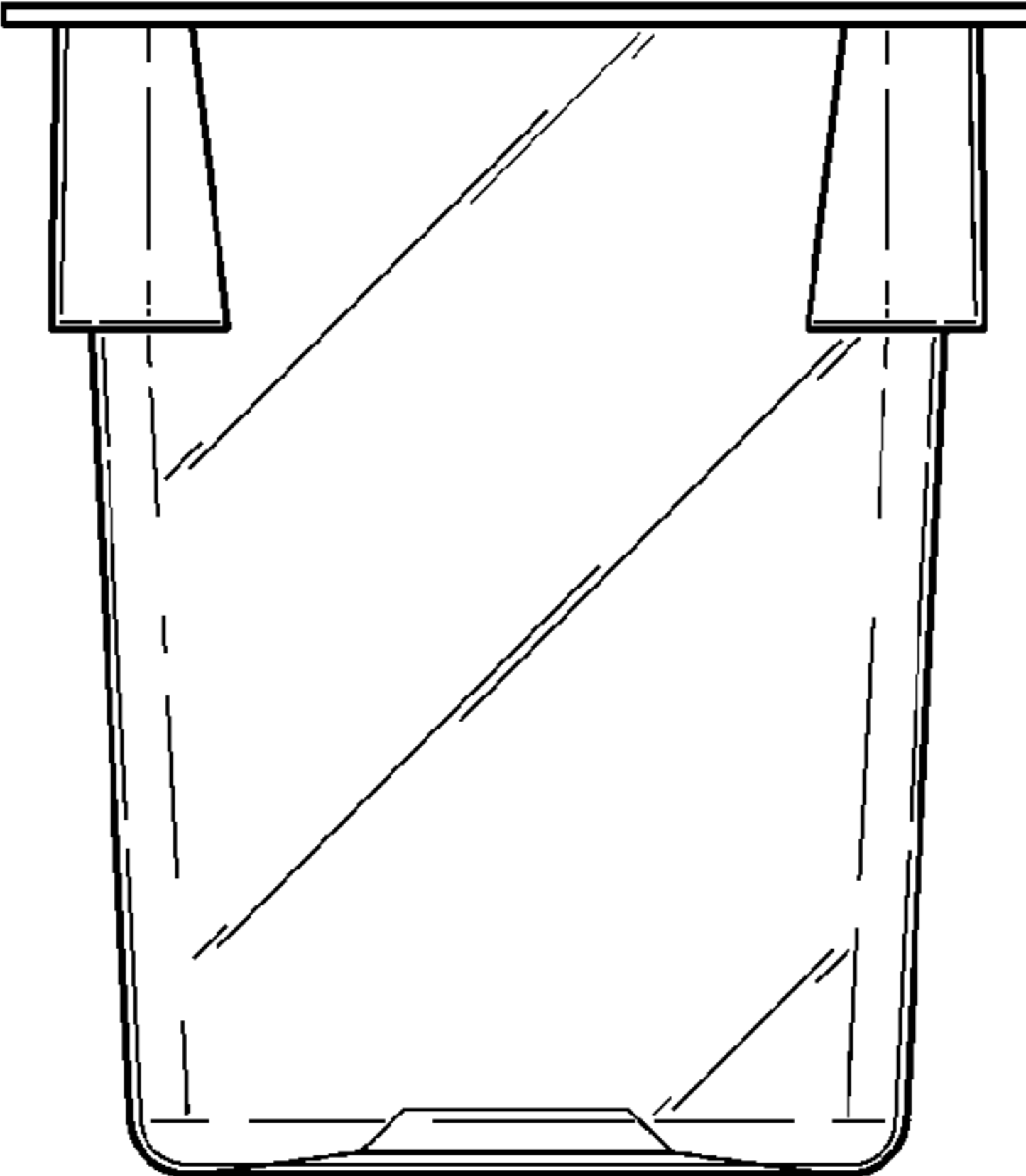


Fig.3.

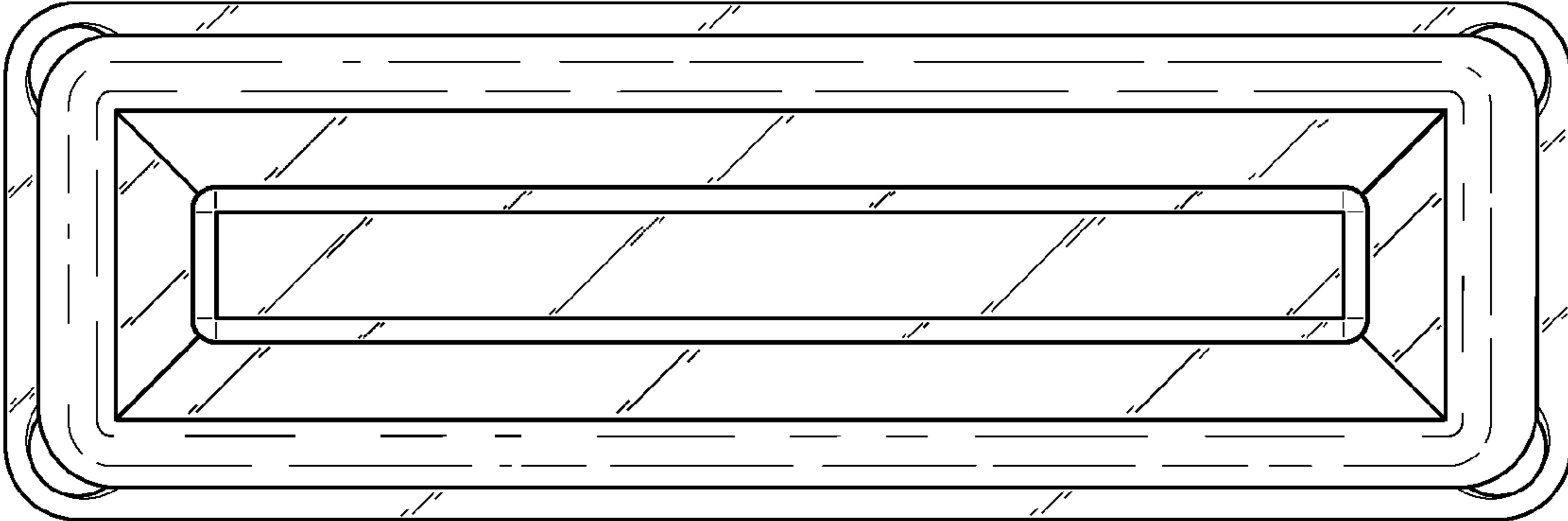


Fig.4.

UNITED STATES PATENT AND TRADEMARK OFFICE  
**CERTIFICATE OF CORRECTION**

PATENT NO. : Des. 591,510 S  
APPLICATION NO. : 29/297659  
DATED : May 5, 2009  
INVENTOR(S) : Hans Peter Auer

Page 1 of 1

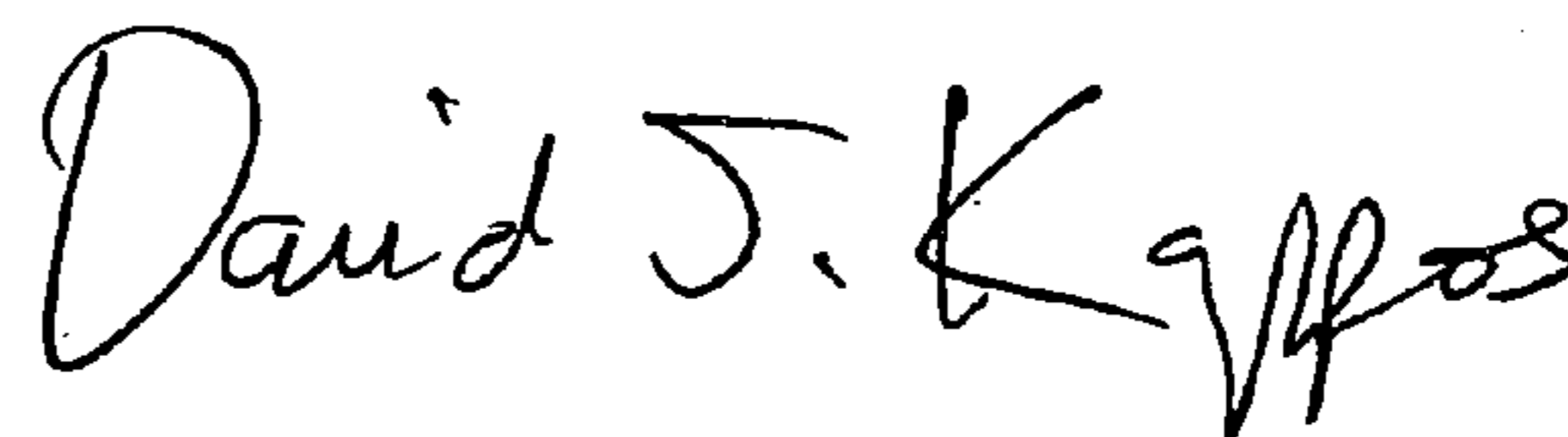
It is certified that error appears in the above-identified patent and that said Letters Patent is hereby corrected as shown below:

Title page, Item [73], the Assignee,  
"Reckitt Benkiser N.V."

should read  
Reckitt Benckiser N.V.

Signed and Sealed this

Twenty-fifth Day of August, 2009



David J. Kappos  
*Director of the United States Patent and Trademark Office*