



US00D591509S

(12) **United States Design Patent**
Lown et al.

(10) **Patent No.:** **US D591,509 S**
(45) **Date of Patent:** **** May 5, 2009**

(54) **DIAPER BAG**

D570,109 S * 6/2008 Lown et al. D3/246
D584,048 S * 1/2009 Lown et al. D3/245

(75) Inventors: **Aaron Lown**, Tuxedo, NY (US); **John Roscoe Swartz**, Ridgewood, NJ (US)

OTHER PUBLICATIONS

1 page showing Diaper Bag from: <http://www.builtny.com/showPage.php?pageID=1640>, downloaded Jan. 16, 2009.*

(73) Assignee: **Built NY, Inc.**, New York, NY (US)

* cited by examiner

(**) Term: **14 Years**

Primary Examiner—Philip S Hyder
Assistant Examiner—Roselynnne Cody

(21) Appl. No.: **29/319,809**

(74) *Attorney, Agent, or Firm*—Fish & Richardson P.C.

(22) Filed: **Jun. 16, 2008**

(51) **LOC (9) Cl.** **03-01**

(57) **CLAIM**

(52) **U.S. Cl.** **D3/303**

The ornamental design for a diaper bag, substantially as shown and described.

(58) **Field of Classification Search** D3/201,
D3/232–233, 245–246, 282, 303, 315, 900,
D3/202; 150/100, 103, 106–110, 112, 117–119;
383/4, 6, 10, 97

DESCRIPTION

See application file for complete search history.

FIG. 1 is a front perspective view of the diaper bag.

FIG. 2 is a front view of the diaper bag.

(56) **References Cited**

U.S. PATENT DOCUMENTS

D248,374 S * 7/1978 Thompson D3/303
D406,989 S * 3/1999 Rausch D7/624.3
5,954,238 A * 9/1999 Rausch 222/158
D485,983 S * 2/2004 Gilad D3/232
D517,797 S * 3/2006 Lown et al. D3/202
D570,108 S * 6/2008 Lown et al. D3/246

FIG. 3 is a back view of the diaper bag.

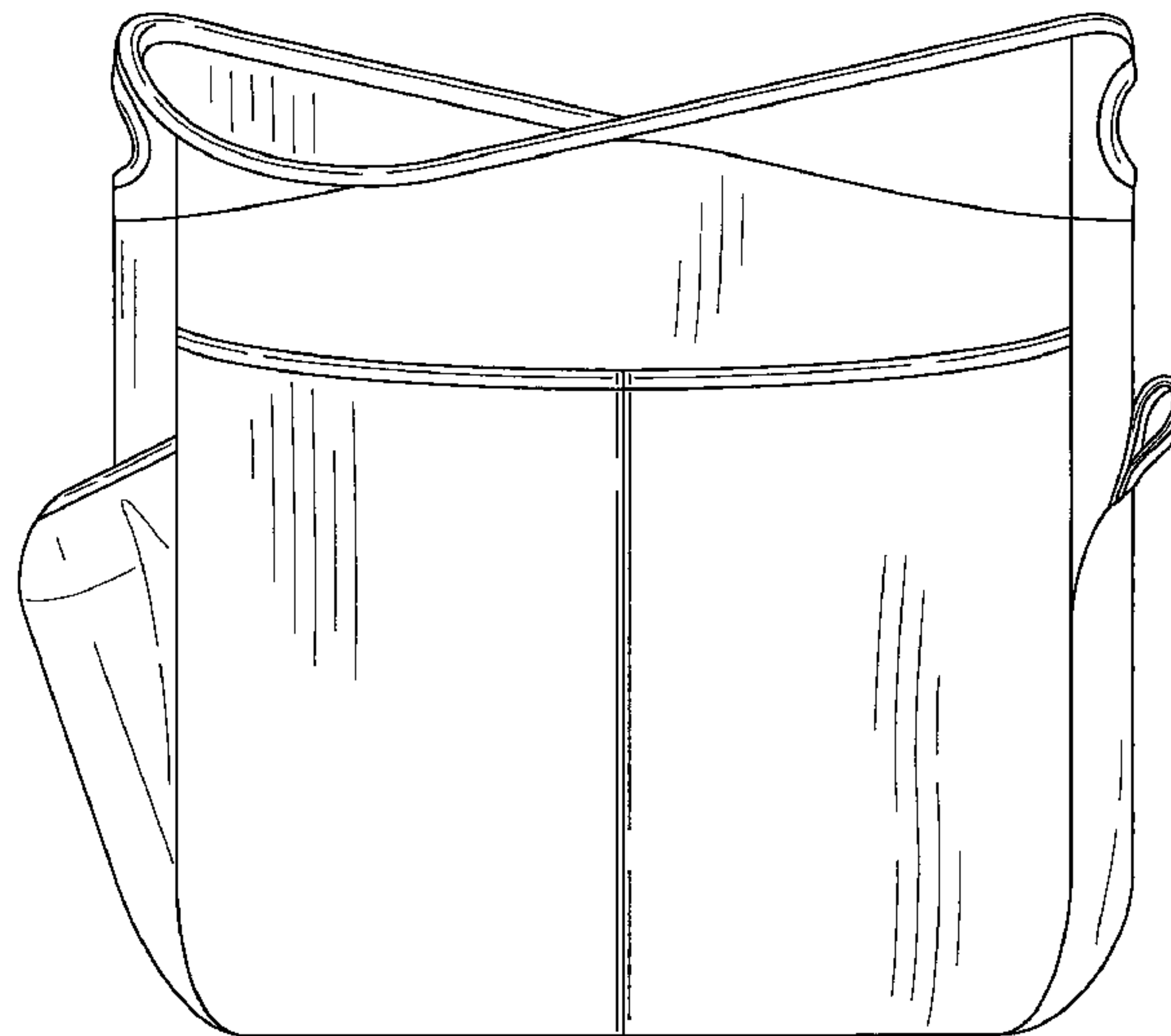
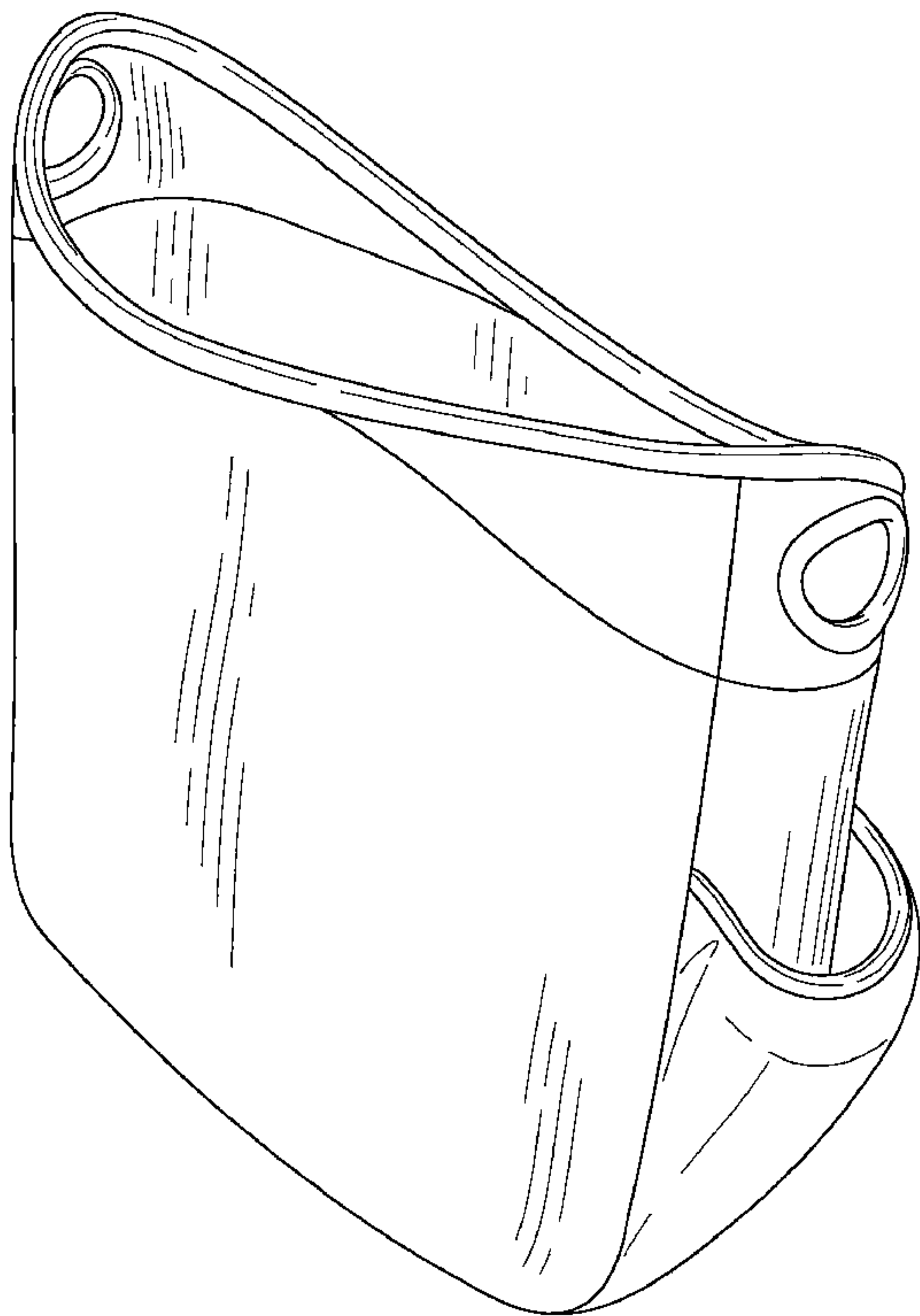
FIG. 4 is a left view of the diaper bag.

FIG. 5 is a right view of the diaper bag.

FIG. 6 is a top view of the diaper bag; and,

FIG. 7 is a bottom view of the diaper bag.

1 Claim, 5 Drawing Sheets



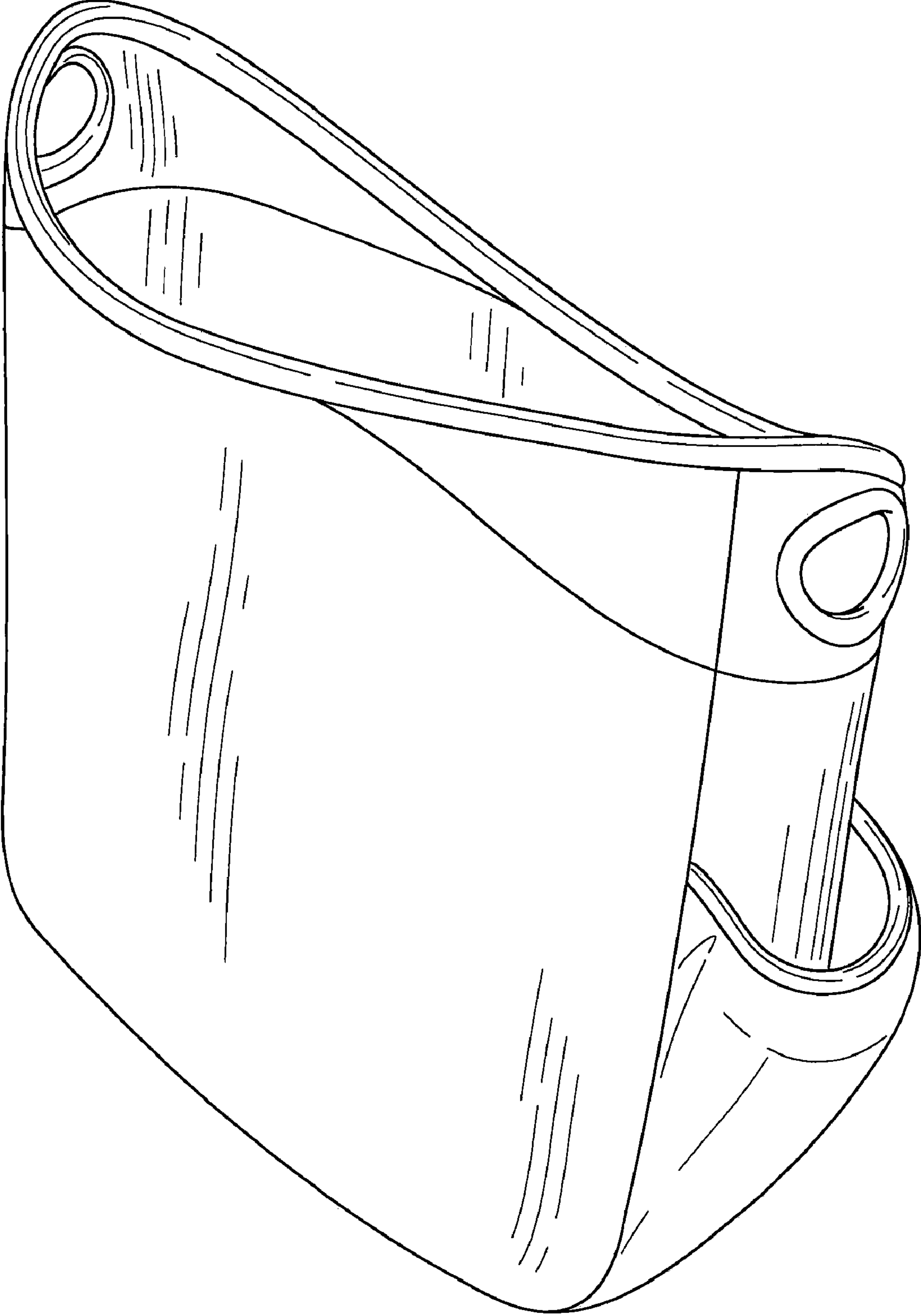


FIG. 1

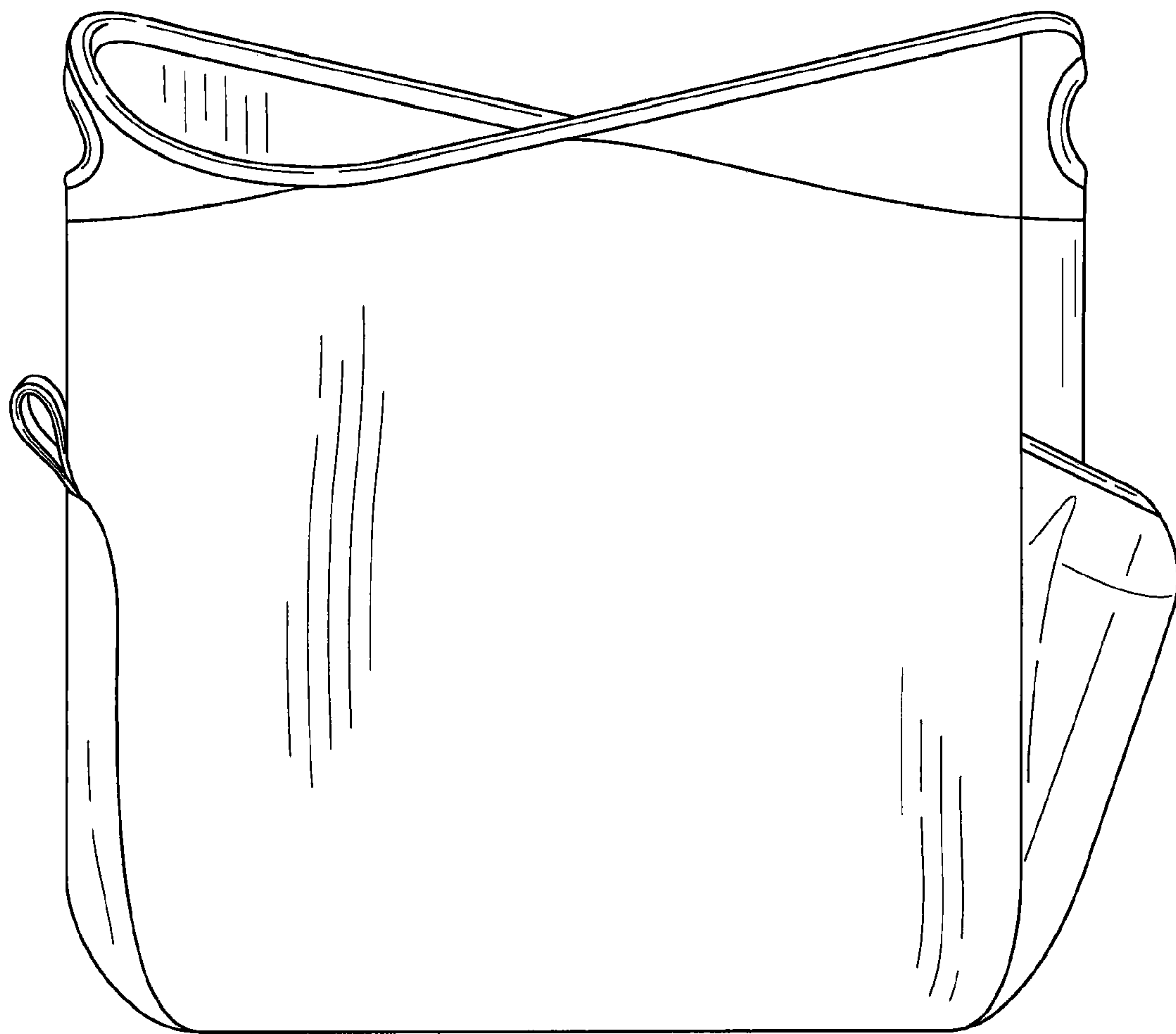


FIG. 2

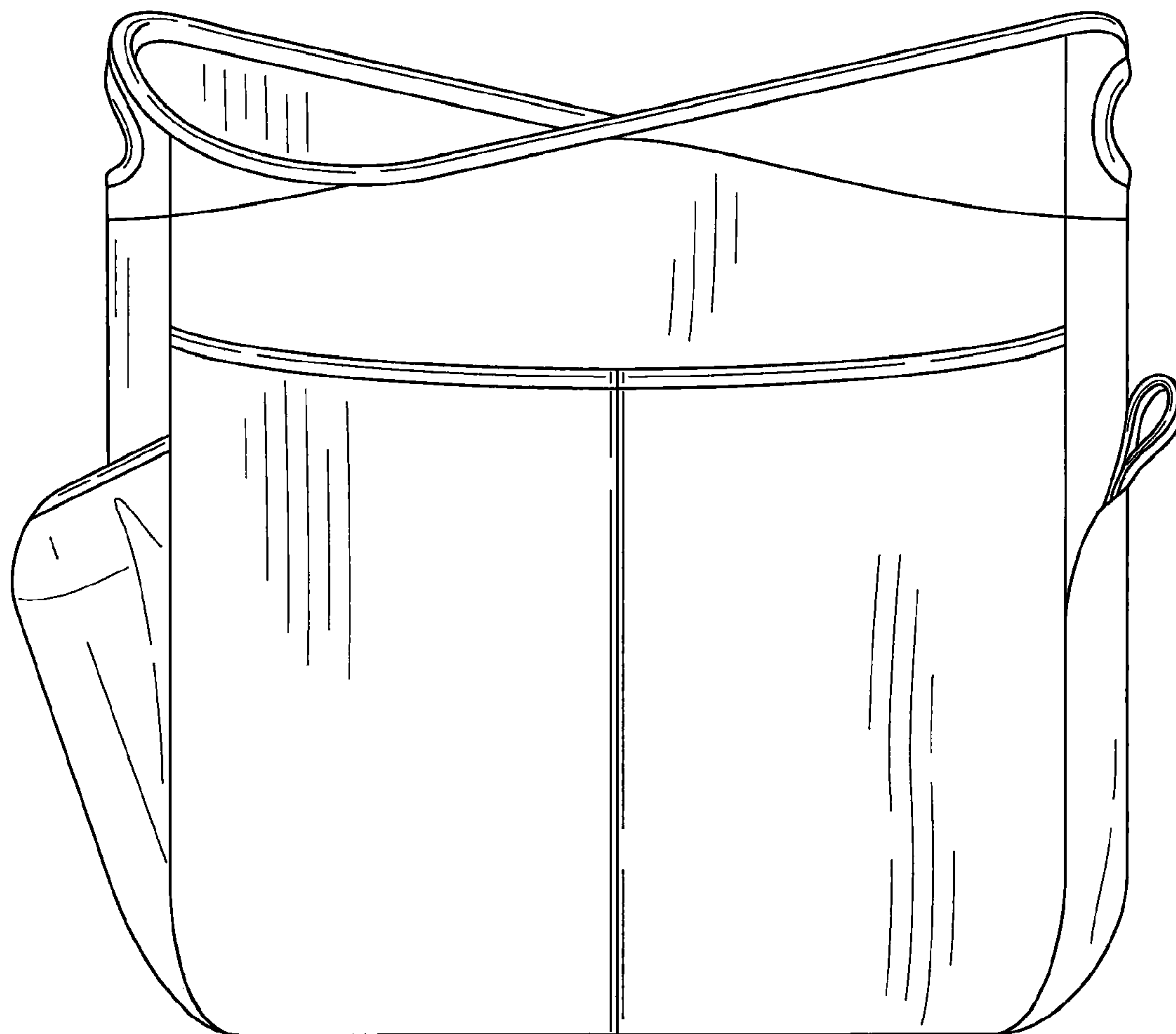


FIG. 3

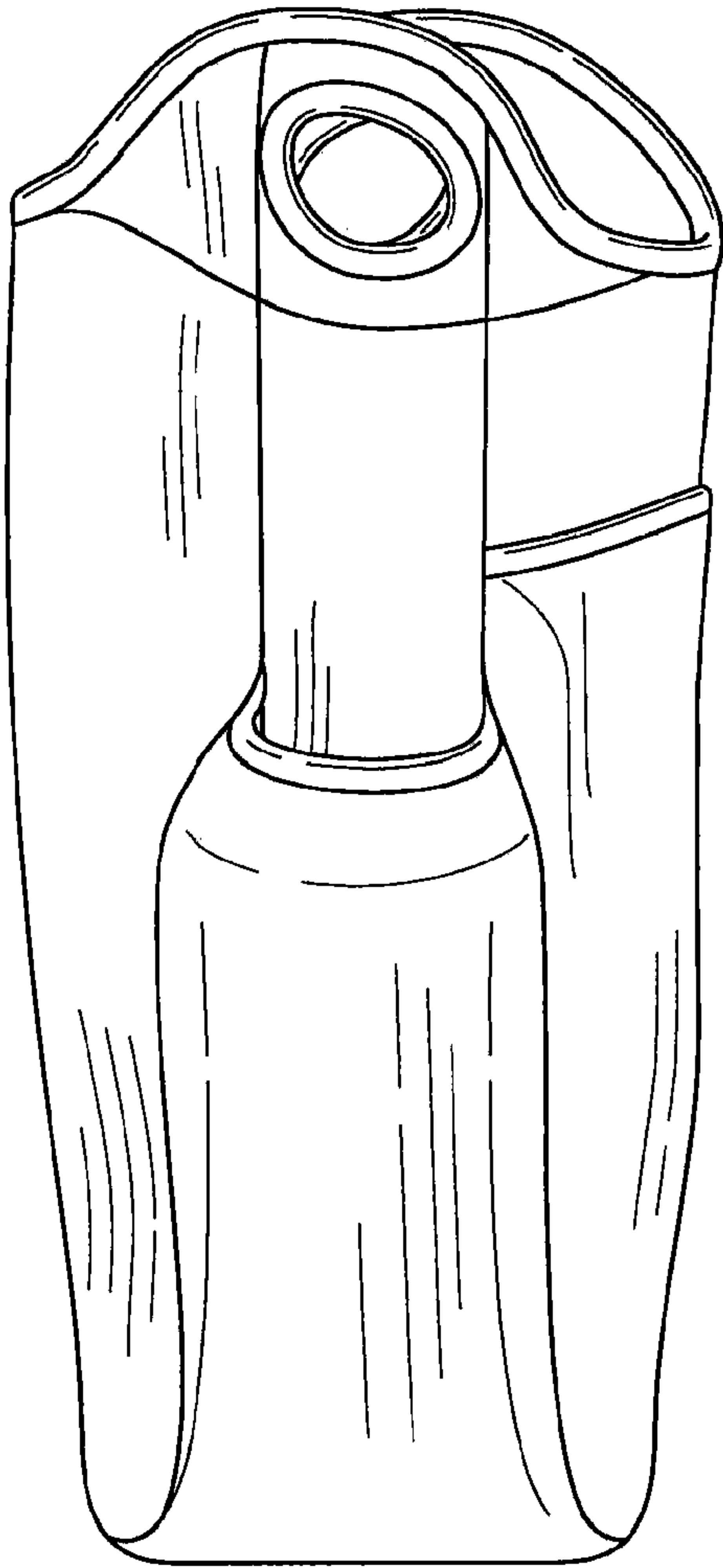


FIG. 4



FIG. 5

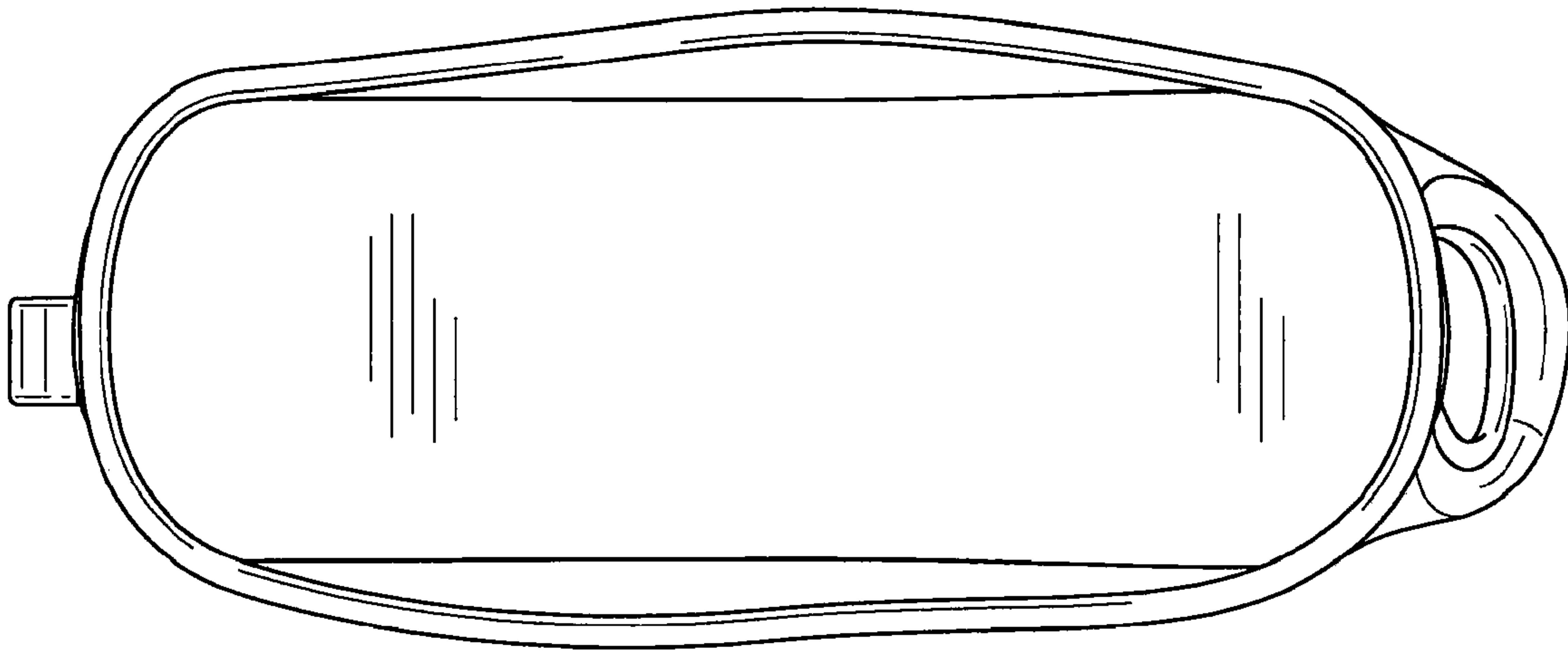


FIG. 6

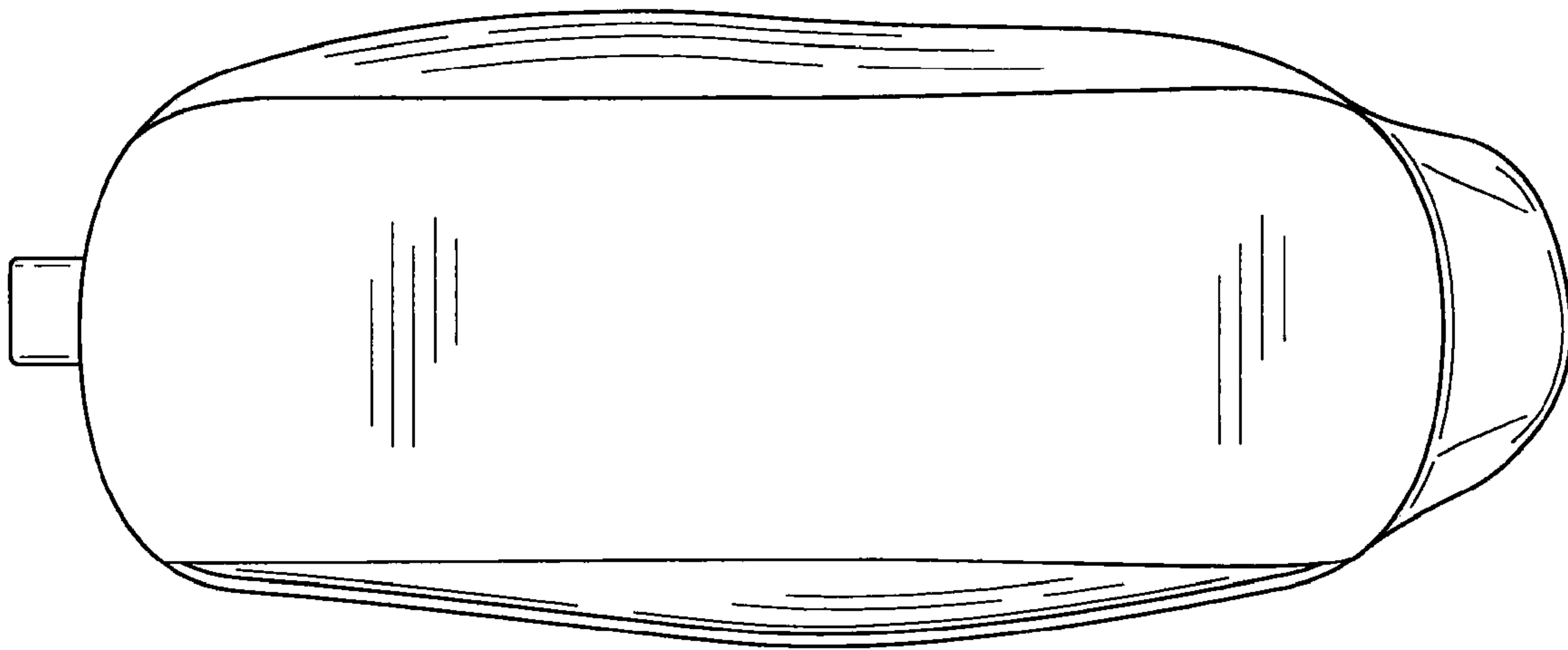


FIG. 7