

US00D591507S

(12) **United States Design Patent**
Mowe et al.

(10) **Patent No.:** **US D591,507 S**
(45) **Date of Patent:** **** May 5, 2009**

(54) **PAINT ROLLER SLEEVE STORAGE CONTAINER**

(76) Inventors: **William B. Mowe**, 842 Maxie La., Lawrenceville, GA (US) 30044; **Kelly L. Mowe**, 842 Maxie La., Lawrenceville, GA (US) 30044

(**) Term: **14 Years**

(21) Appl. No.: **29/305,138**

(22) Filed: **Mar. 14, 2008**

Related U.S. Application Data

(63) Continuation-in-part of application No. 11/472,092, filed on Jun. 21, 2006, now abandoned.

(51) **LOC (9) Cl.** **03-01**

(52) **U.S. Cl.** **D3/269**

(58) **Field of Classification Search** D3/201–202, D3/203.1–203.3, 229, 255, 257, 269, 273, D3/294, 300, 302, 315, 904; D7/612, 615; D9/420, 422–423, 428, 549, 557; 206/315.1–315.2, 206/315.9, 349

See application file for complete search history.

(56) **References Cited**

U.S. PATENT DOCUMENTS

D331,629	S	*	12/1992	Stewart	D24/199
D336,039	S	*	6/1993	Tanaka et al.	D9/780
D349,602	S	*	8/1994	Denault	D3/300
D382,400	S	*	8/1997	Theodosakis et al.	D3/265
5,667,094	A	*	9/1997	Rapchak et al.	220/834
5,887,708	A	*	3/1999	Gonzales	206/209
D427,427	S	*	7/2000	Davis	D3/203.5
D436,861	S	*	1/2001	Sagel et al.	D9/428
D437,219	S	*	2/2001	Gallart et al.	D9/428
D438,376	S	*	3/2001	Marshall	D3/257
D498,584	S	*	11/2004	DiMarchi et al.	D3/203.2
D511,090	S	*	11/2005	Devine	D9/417
D514,895	S	*	2/2006	van Elderen	D7/615
D523,753	S	*	6/2006	Corker et al.	D9/538
D526,190	S	*	8/2006	Bolt et al.	D9/418
D527,252	S	*	8/2006	Bolt et al.	D9/418
D543,111	S	*	5/2007	Hoglund	D9/504

D546,187	S	*	7/2007	Ratzlaff	D9/529
D554,508	S	*	11/2007	YunFu	D9/520
D555,490	S	*	11/2007	Liu	D9/549
D557,076	S	*	12/2007	Wahl	D7/629
D577,595	S	*	9/2008	Lee	D9/549
2005/0242105	A1	*	11/2005	Homann	220/840

FOREIGN PATENT DOCUMENTS

DE 19908783 A1 * 8/2000

OTHER PUBLICATIONS

Roller Keeper at Obvious Solutions, Inc. Downloaded Dec. 19, 2008 at <http://www.rollerkeeper.com>.*

* cited by examiner

Primary Examiner—Robert M Spear

Assistant Examiner—Roselyne Cody

(74) *Attorney, Agent, or Firm*—Richard B. Klar; Law Office of Richard B. Klar

(57) **CLAIM**

The ornamental design for a paint roller sleeve storage container, as shown and described.

DESCRIPTION

FIG. 1 is a perspective view of a paint roller sleeve storage container showing my new design in a preferred form of the invention with the lid shown in a mounted position.

FIG. 2 is a perspective view of a paint roller sleeve storage container of FIG. 1, with the lid shown in an open position.

FIG. 3 is a left side view of the paint roller sleeve storage container of FIG. 2, the right side view being a mirror image thereof.

FIG. 4 is a rear view of the paint roller sleeve storage container of FIG. 2.

FIG. 5 is a front view of the paint roller sleeve storage container of FIG. 2.

FIG. 6 is a top view of the paint roller sleeve storage container of FIG. 2; and,

FIG. 7 is a bottom view of a paint roller sleeve storage container of FIG. 2.

1 Claim, 3 Drawing Sheets

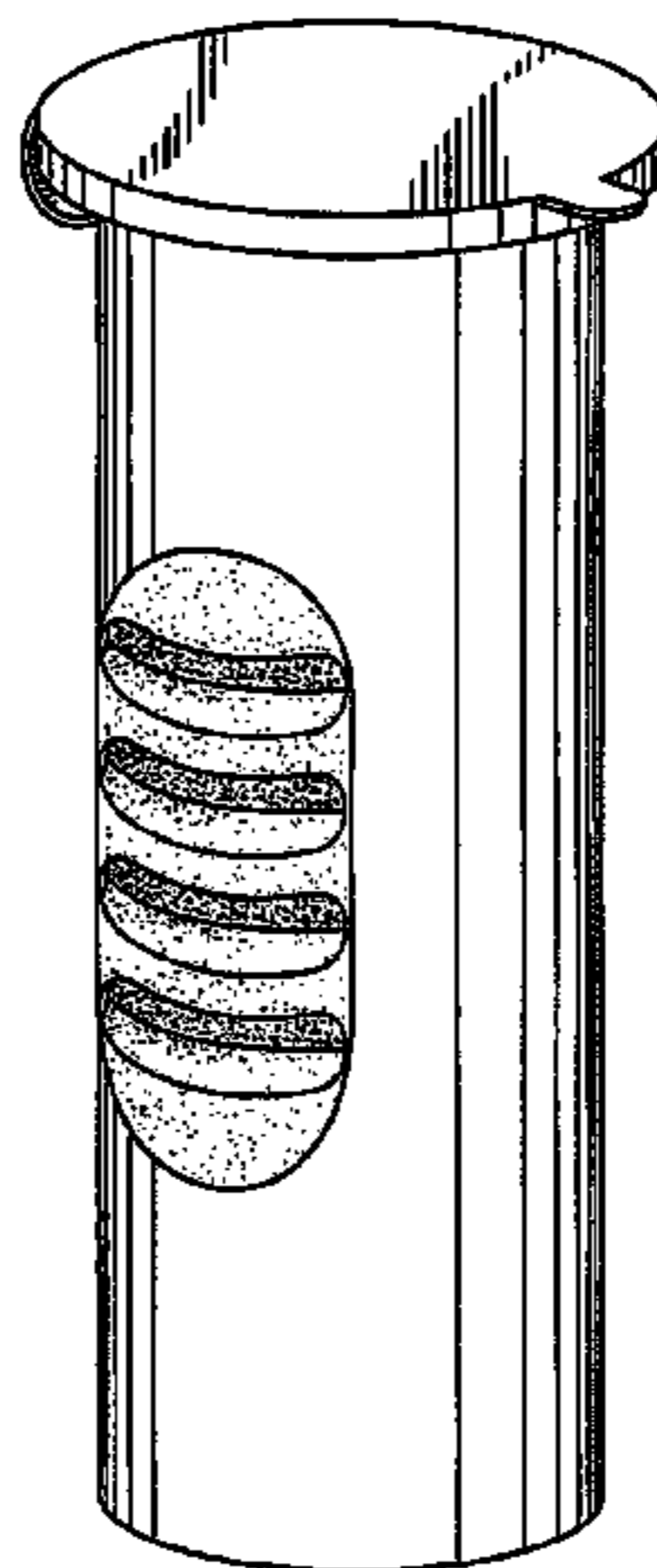


Fig. 2

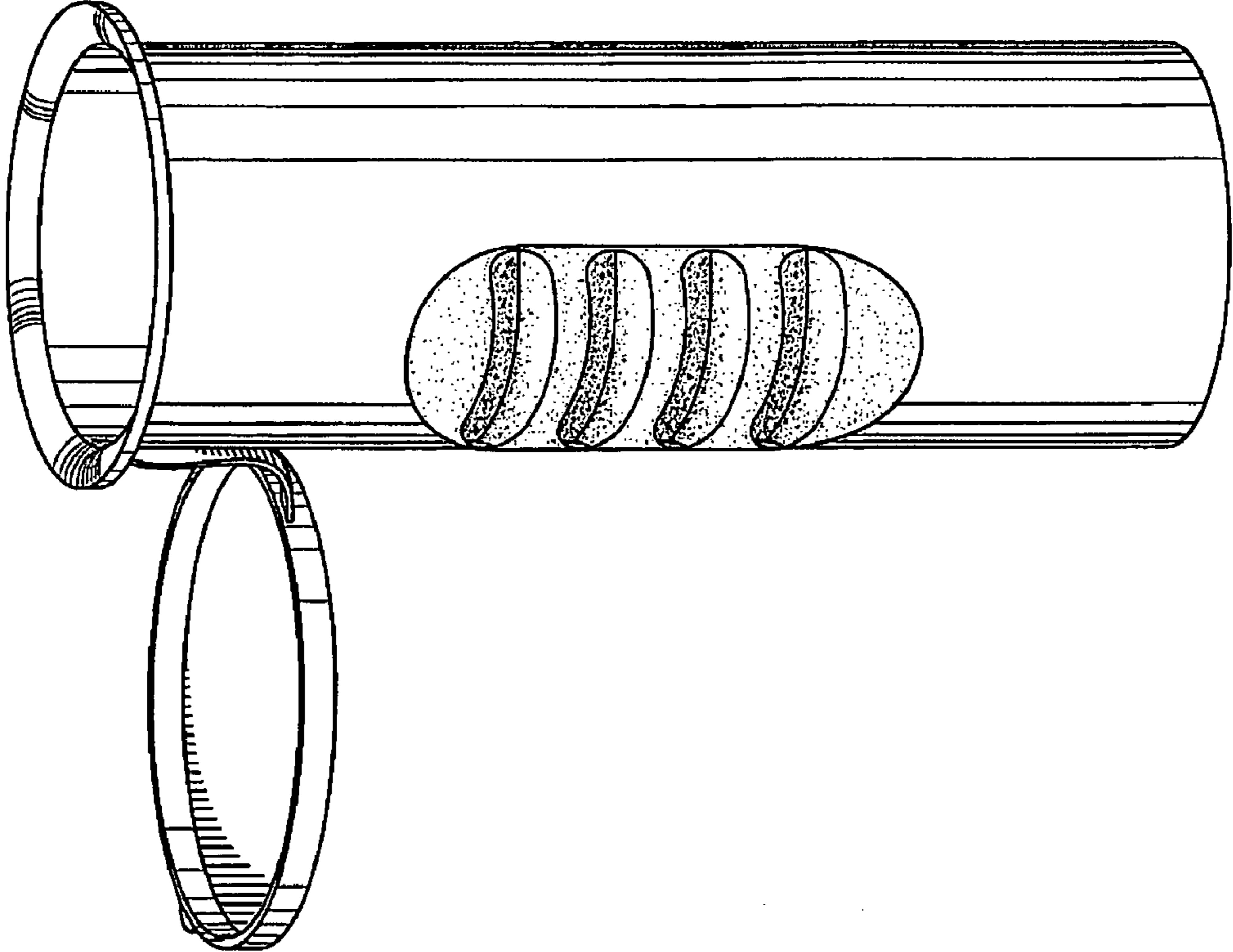


Fig. 1

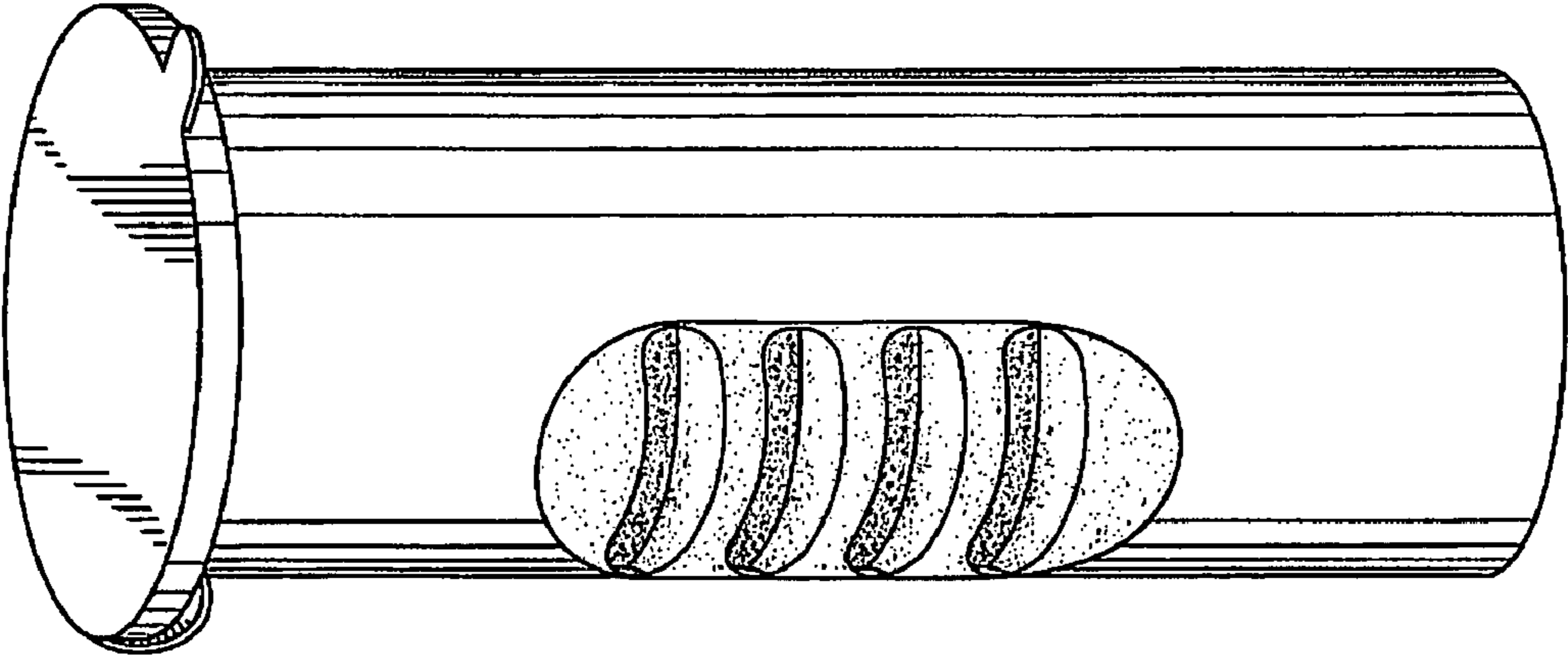


Fig. 4

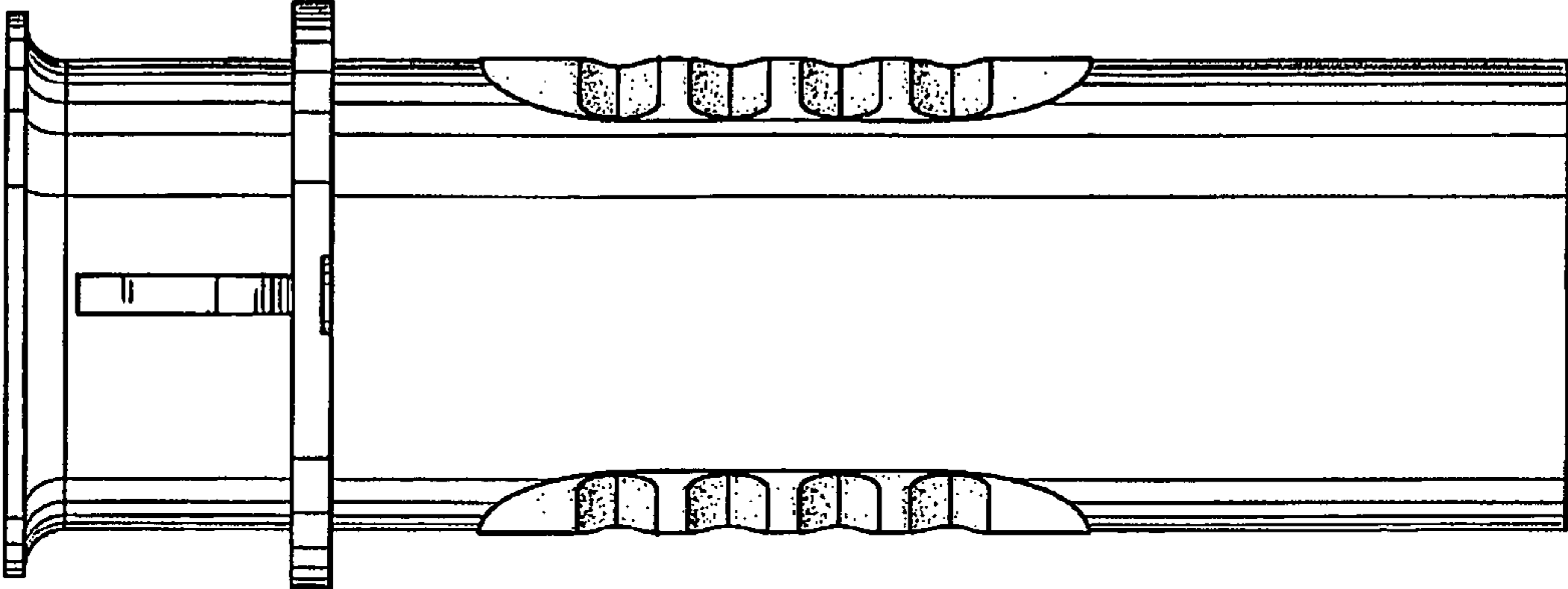


Fig. 3

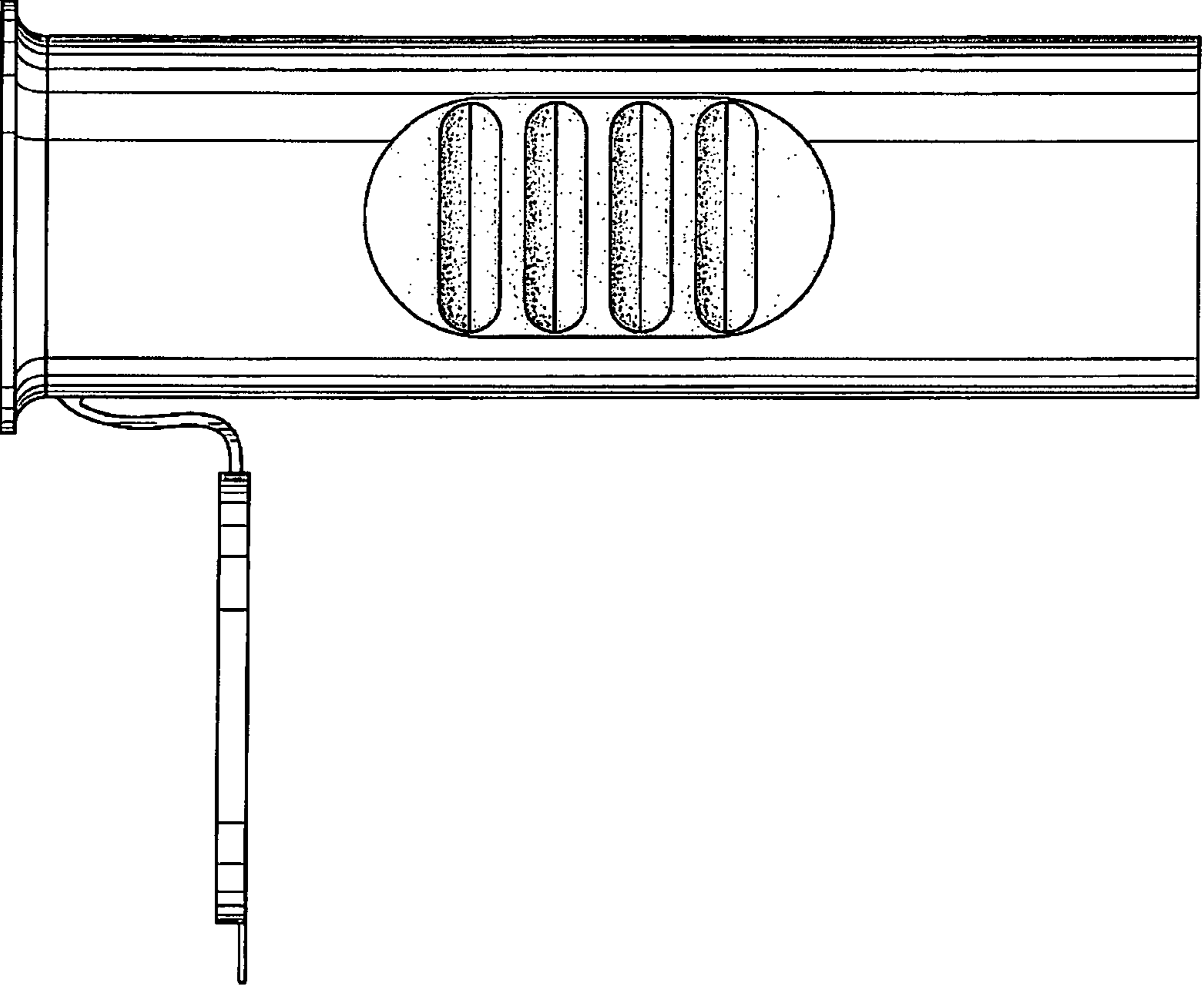


Fig. 5

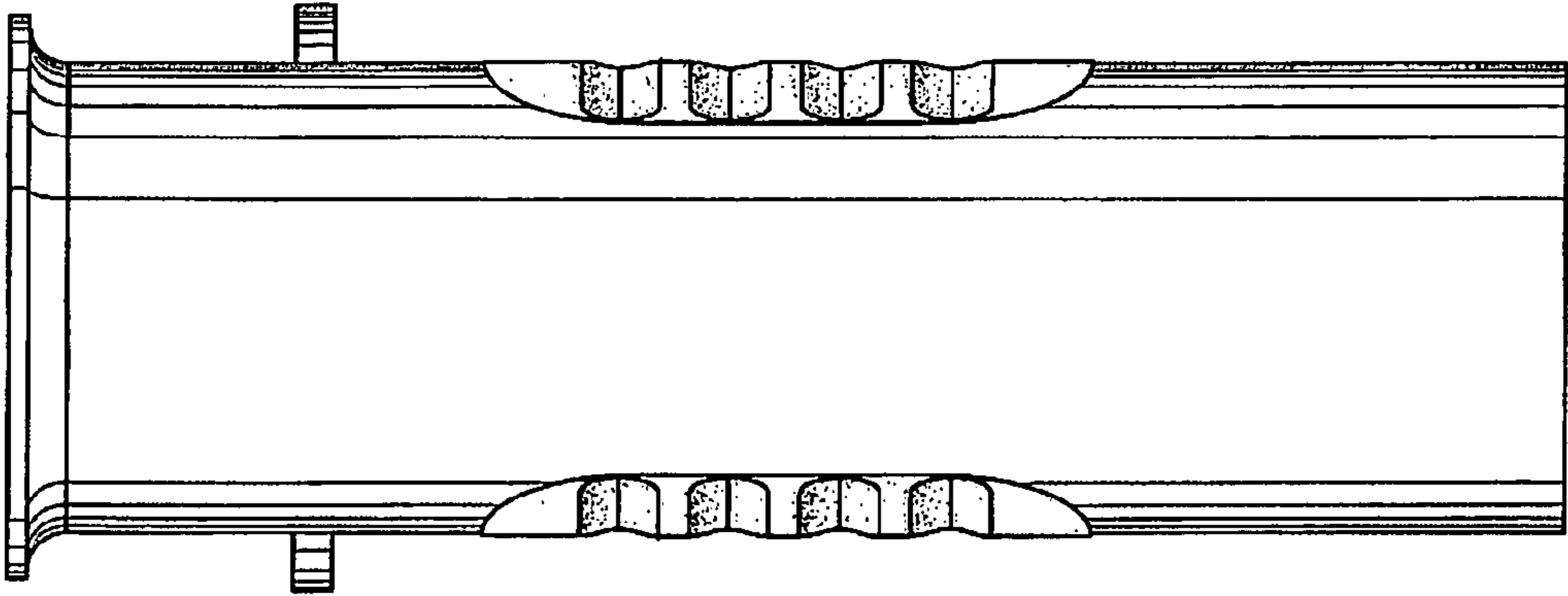


Fig. 6

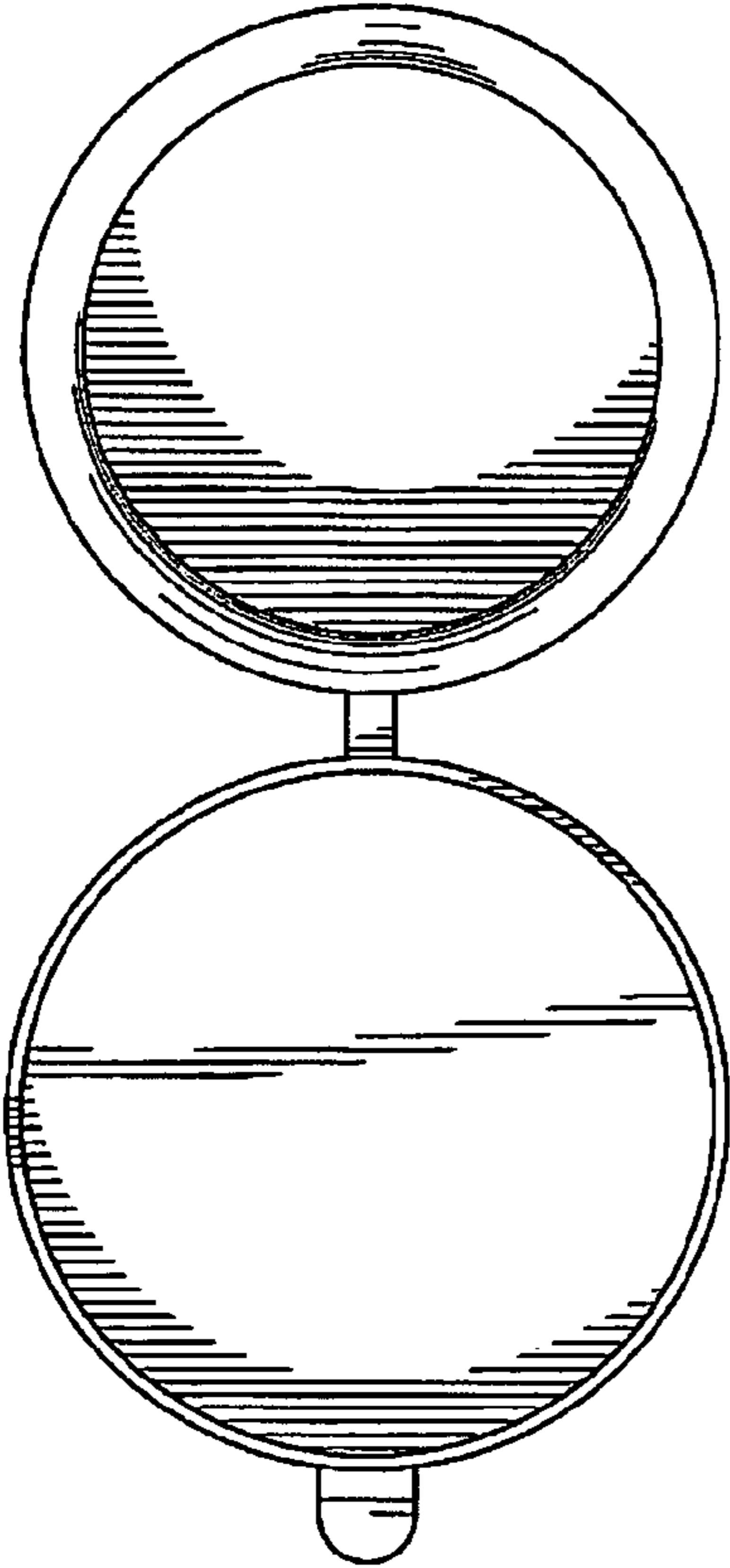


Fig. 7

