

US00D591498S

(12) **United States Design Patent**
Kha

(10) **Patent No.:** **US D591,498 S**

(45) **Date of Patent:** **** May 5, 2009**

(54) **HANDCUFF STRAP**

2005/0115997 A1 6/2005 Nouvel De La Fleche

(76) Inventor: **Yauna Kha**, 5107 Aspen St., Ste. E,
Schofield, WI (US) 54476

* cited by examiner

Primary Examiner—Catherine R Oliver

(74) *Attorney, Agent, or Firm*—Tipton L. Randall

(**) Term: **14 Years**

(21) Appl. No.: **29/308,507**

(57) **CLAIM**

(22) Filed: **Jun. 23, 2008**

The ornamental design for a handcuff strap, as shown and described.

(51) **LOC (9) Cl.** **03-01**

(52) **U.S. Cl.** **D3/215**

(58) **Field of Classification Search** D3/215,
D3/201, 222–223, 225–226, 229–230, 242,
D3/269, 207; 224/914, 162, 240, 660, 627,
224/681, 192–193, 245, 250, 255, 230–231

See application file for complete search history.

DESCRIPTION

FIG. 1 is a front view of the handcuff strap embodying my new design,

FIG. 2 is a rear view of the handcuff strap,

FIG. 3 is a top view of the handcuff strap,

FIG. 4 is a bottom view of the handcuff strap,

FIG. 5 is a right side view of the handcuff strap,

FIG. 6 is a left side view of the handcuff strap,

FIG. 7 is the front view of the handcuff strap with phantom lines indicating a set of handcuffs within the handcuff strap for reference only, the handcuffs not being included as part of the disclosed invention,

FIG. 8 is a front view of the handcuff strap in an alternative position with phantom lines indicating a set of handcuffs within the handcuff strap for reference only, the handcuffs not being included as part of the disclosed invention,

FIG. 9 is a right side view of the handcuff strap in an alternative position with phantom lines indicating a set of handcuffs within the handcuff strap for reference only, the handcuffs not being included as part of the disclosed invention; and,

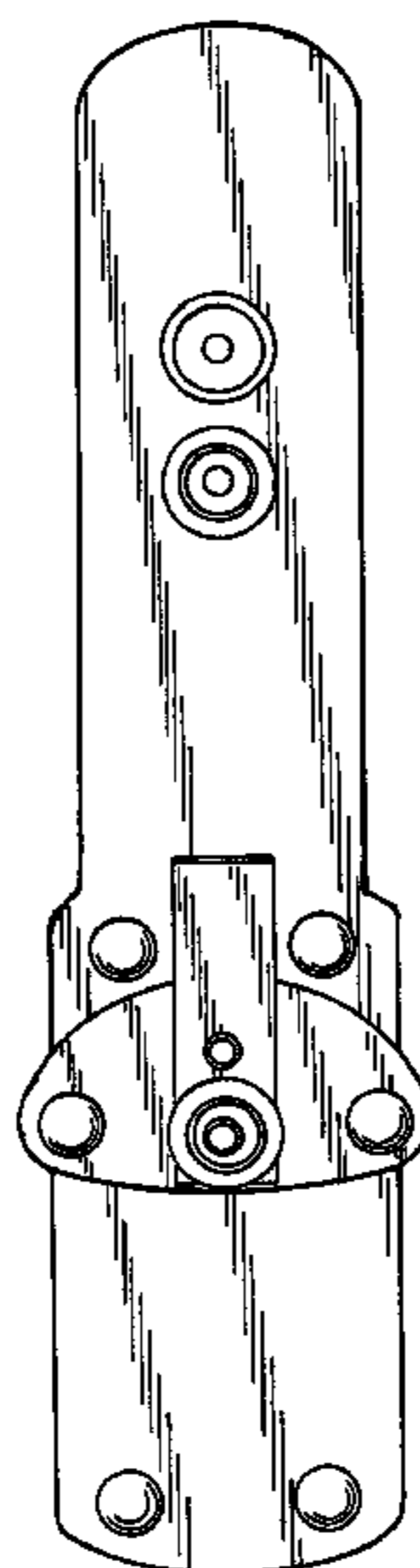
FIG. 10 is a rear view of the handcuff strap with phantom lines indicating the handcuff strap on a belt, indicating the environment upon which the handcuff strap is used, the belt not being included as part of the disclosed invention.

(56) **References Cited**

U.S. PATENT DOCUMENTS

1,413,290	A	4/1922	O'Leary	
1,517,588	A	12/1924	Sasaki	
D232,025	S	7/1974	Hershman	
3,826,414	A	7/1974	Valadez	
3,870,208	A	3/1975	Theodore	
D237,428	S	11/1975	Baker	
D238,629	S	2/1976	Tibbetts	
D253,676	S	* 12/1979	Mathieson	D3/207
D296,269	S	6/1988	Richardson et al.	
4,750,652	A	6/1988	Grant	
4,852,784	A	8/1989	Burton, Jr.	
D306,798	S	* 3/1990	McVey	D3/215
D331,497	S	12/1992	Dixon	
D338,106	S	8/1993	Elam	
D344,630	S	3/1994	Doerksen	
D364,038	S	11/1995	Stanchin	
5,511,706	A	4/1996	Hendrickson	
5,918,786	A	7/1999	Wise	
D541,524	S	5/2007	Kha	
D542,027	S	5/2007	Kha	
D543,020	S	5/2007	Kha	

1 Claim, 10 Drawing Sheets



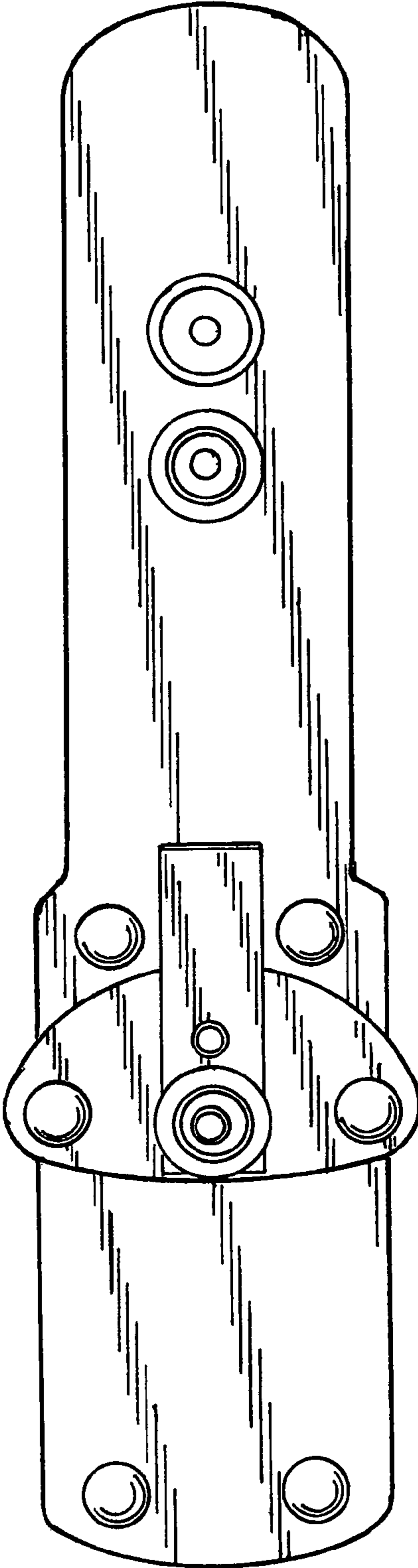


Fig. 1

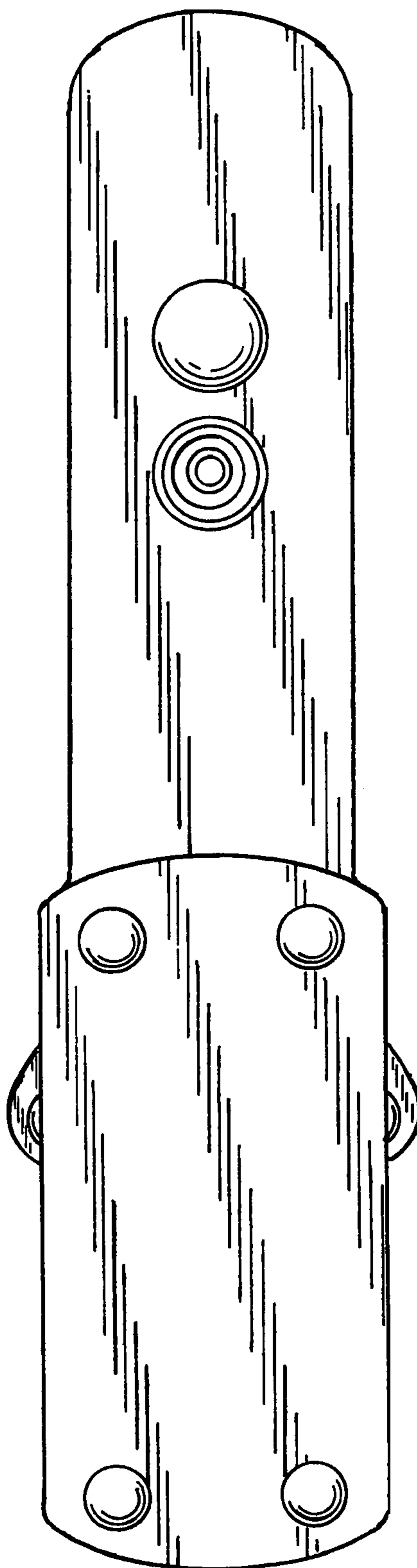


Fig. 2

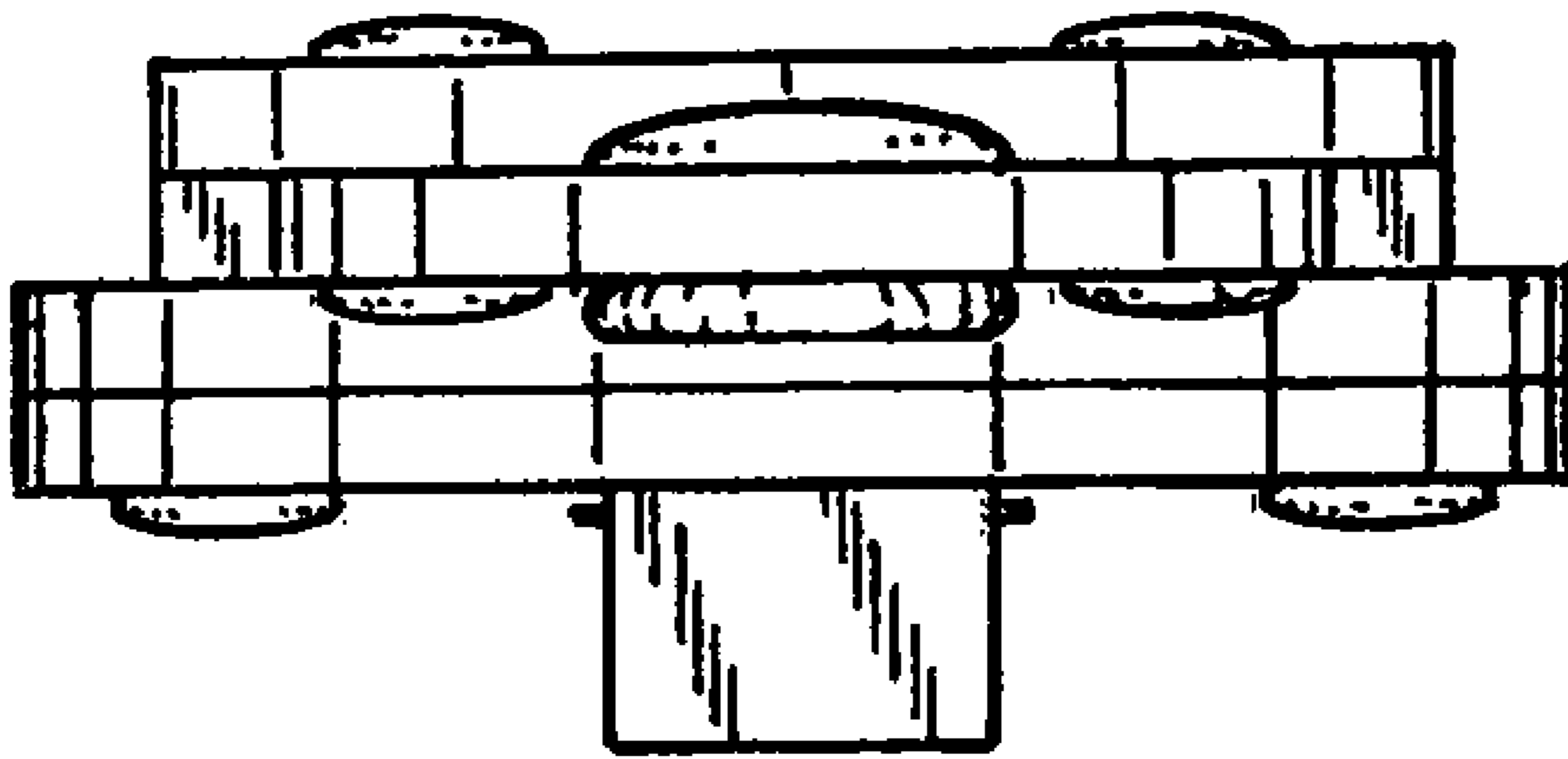


Fig. 3

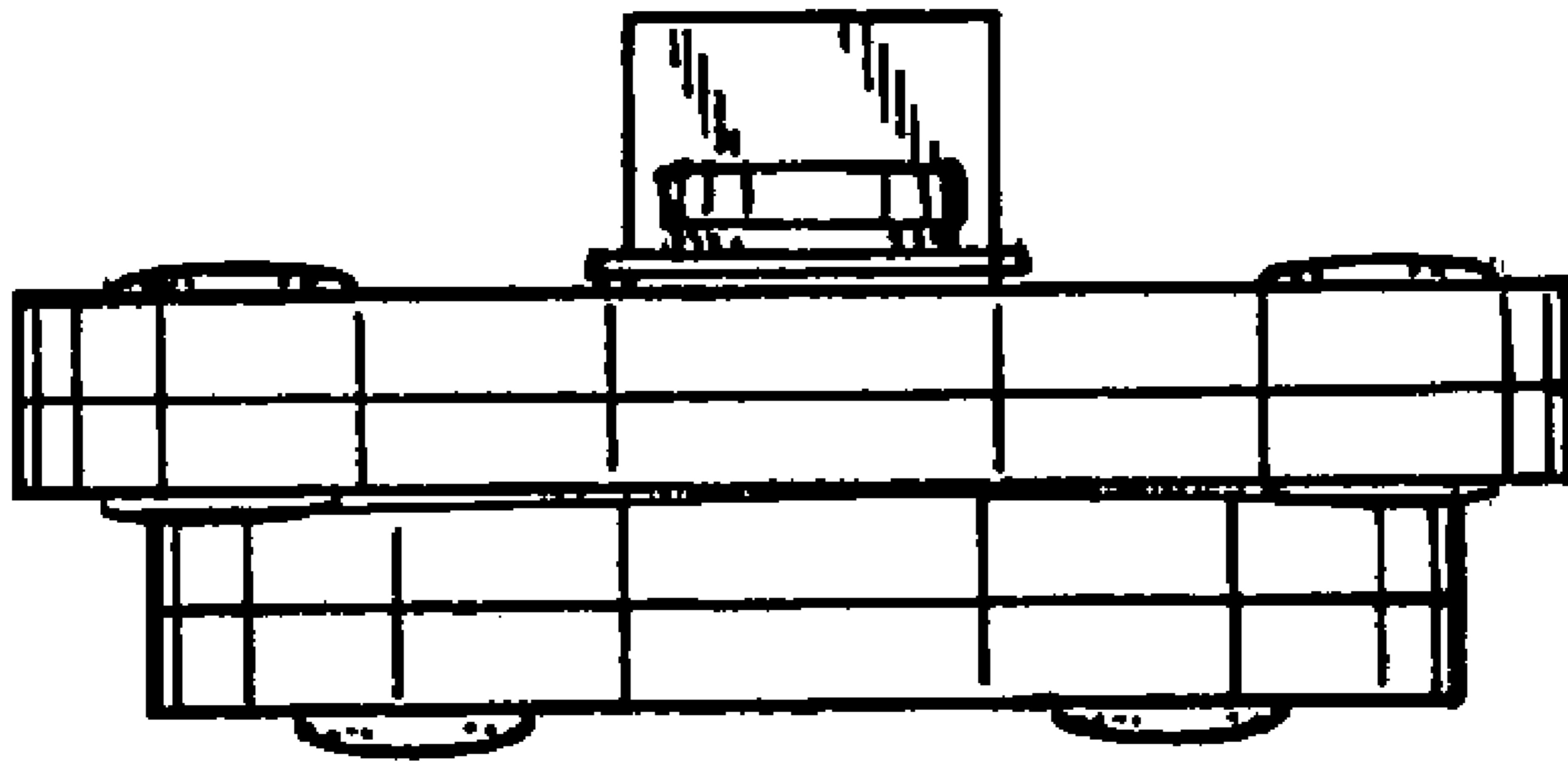


Fig. 4

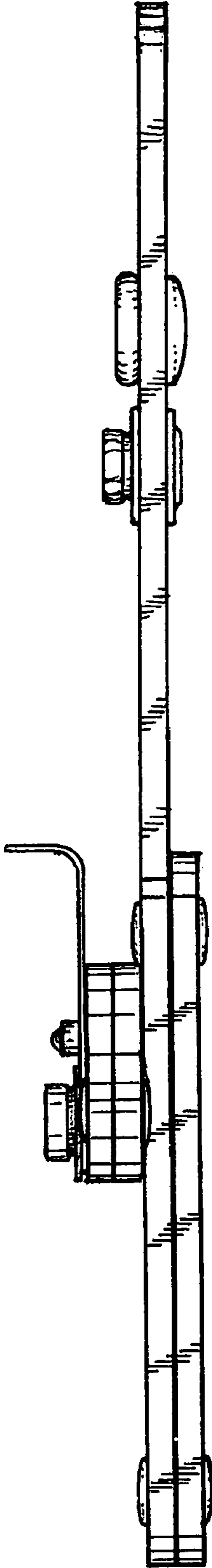


Fig. 5

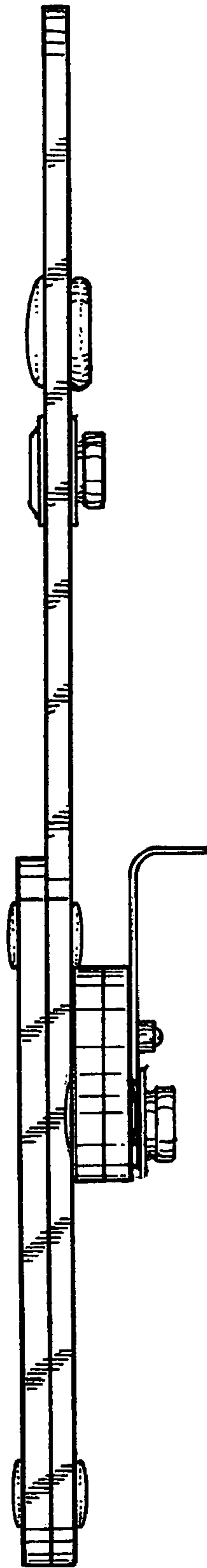


Fig. 6

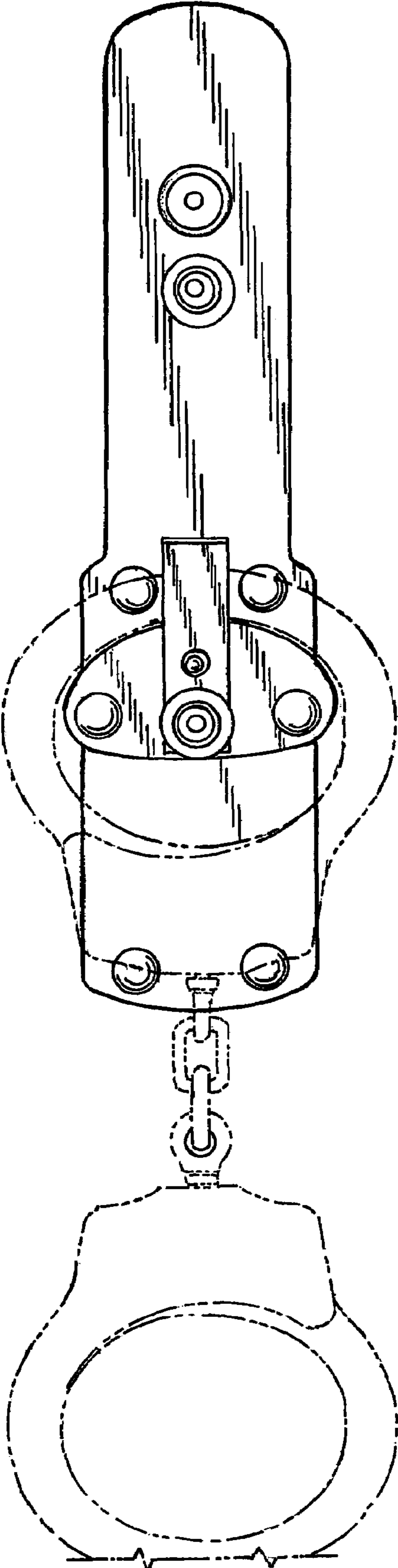


Fig. 7

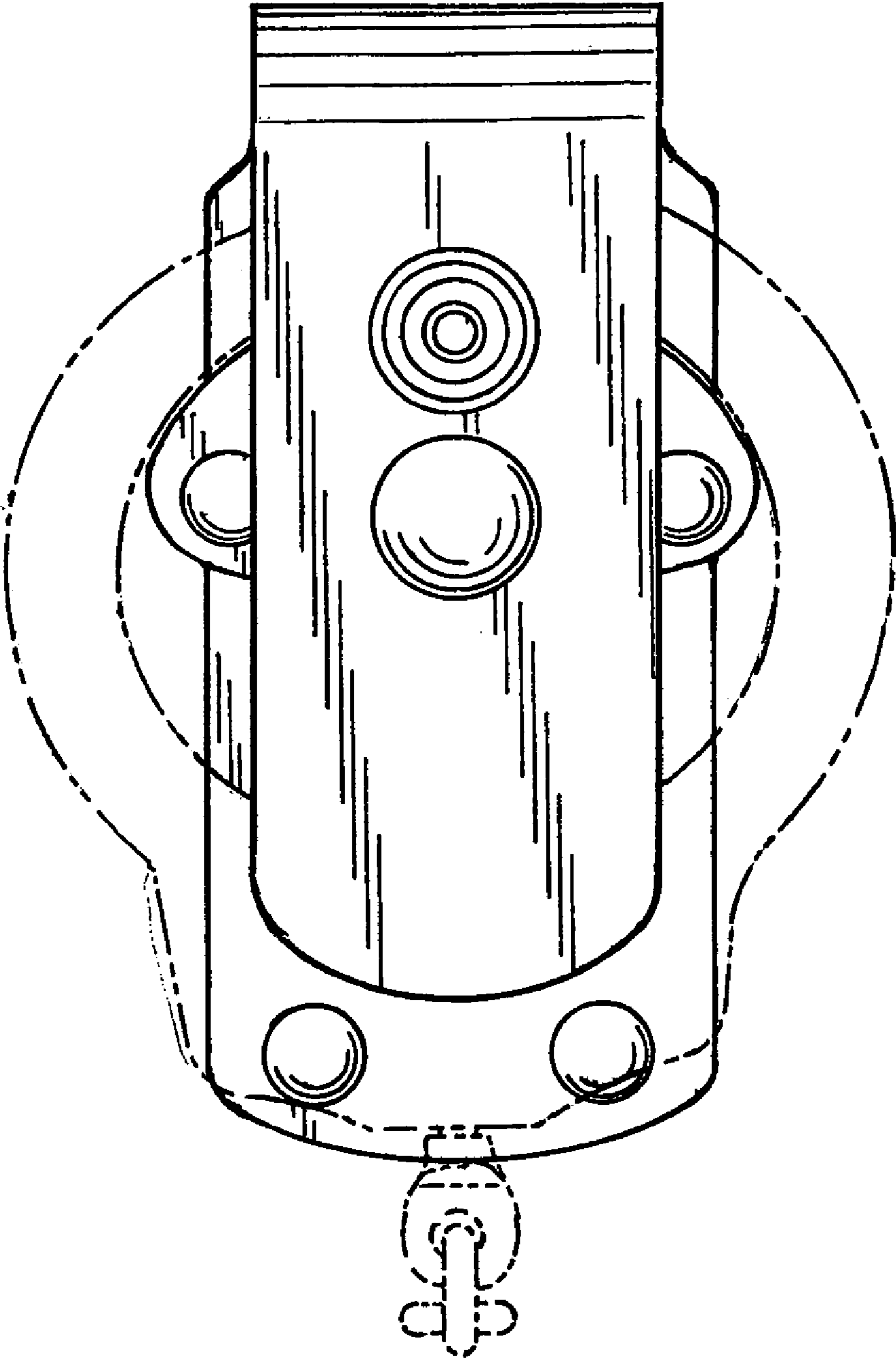


Fig. 8

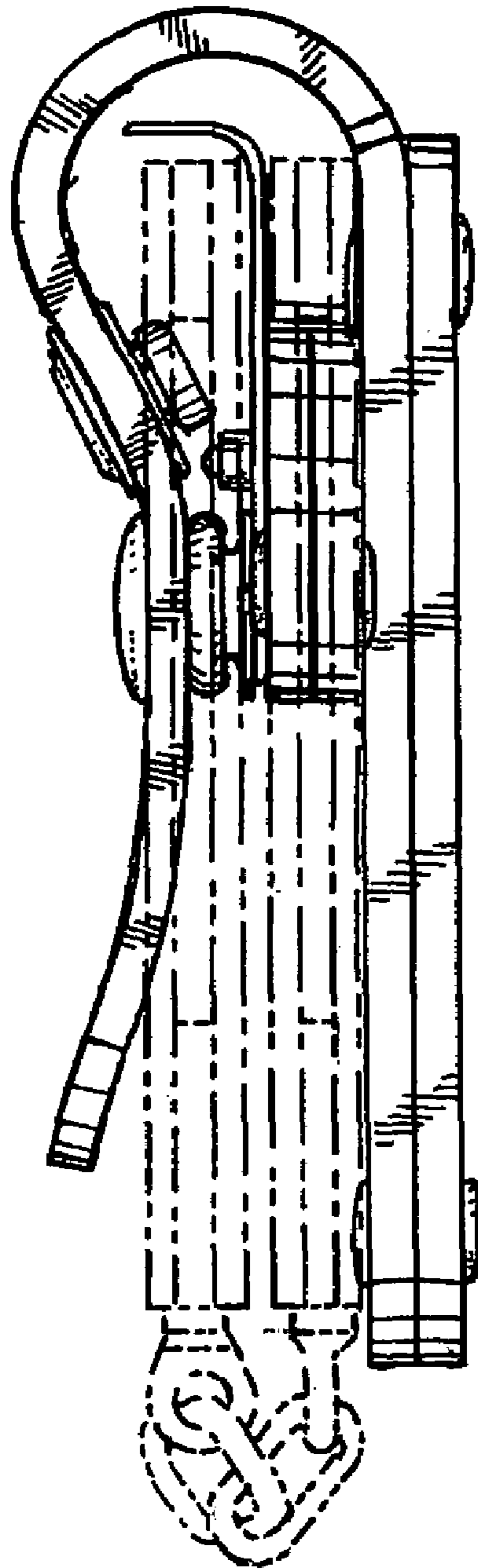


Fig. 9

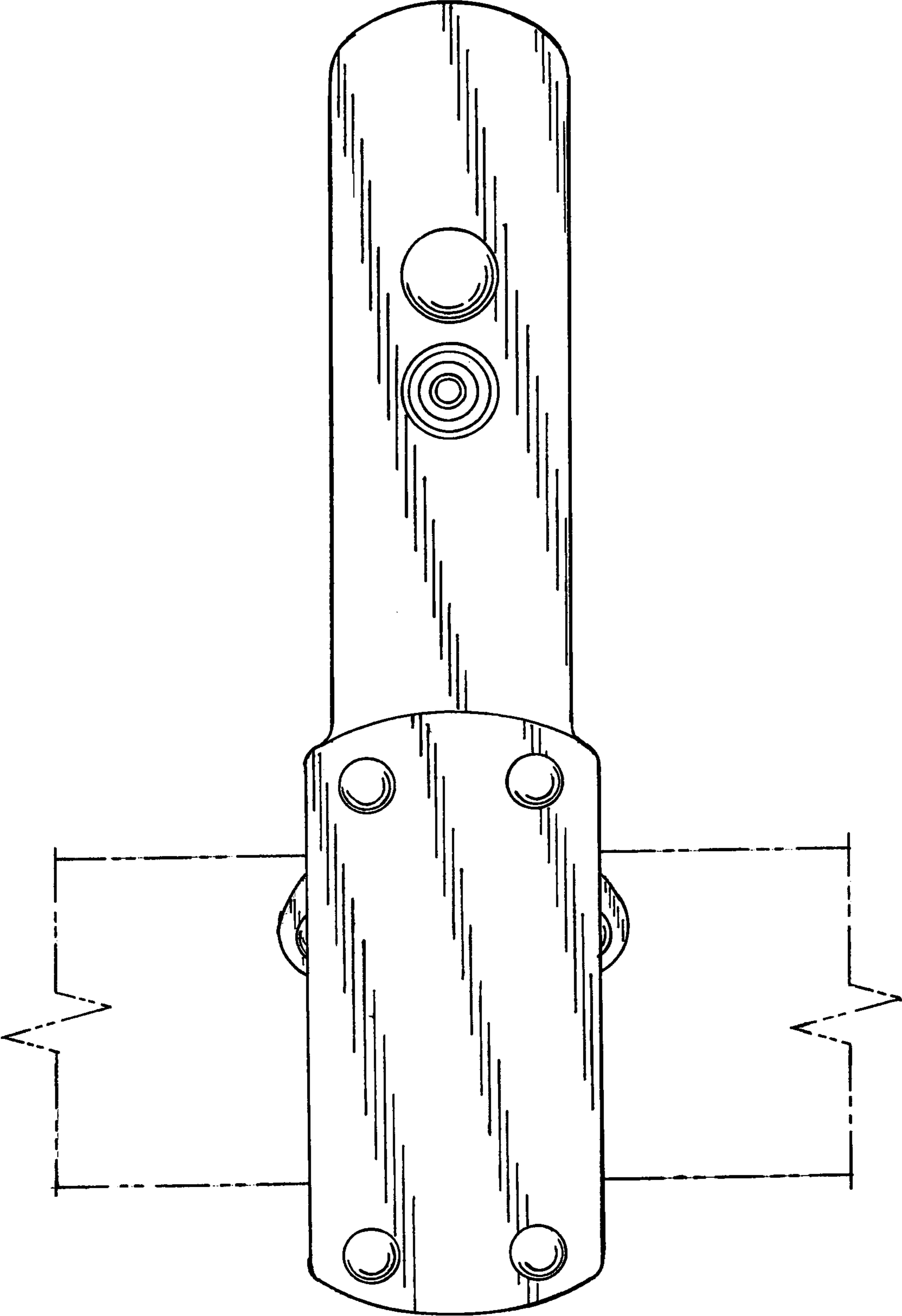


Fig. 10