

US00D591485S

(12) **United States Design Patent**  
**Cho**

(10) **Patent No.:** **US D591,485 S**  
(45) **Date of Patent:** **\*\* May 5, 2009**

(54) **GOLF CAP**

5,860,165 A \* 1/1999 Cvijanovich ..... 2/195.1  
5,862,523 A \* 1/1999 Proctor ..... 2/209.11

(75) Inventor: **Byoung-Woo Cho**, Gyeonggi-do (KR)

(Continued)

(73) Assignee: **Yupoong, Inc.** (KR)

(\*\*) Term: **14 Years**

*Primary Examiner*—Elizabeth A Albert  
*Assistant Examiner*—Karen E Eldridge Powers  
(74) *Attorney, Agent, or Firm*—Fellers, Snider, Blankenship,  
Bailey & Tippens

(21) Appl. No.: **29/304,281**

(22) Filed: **Feb. 28, 2008**

(57) **CLAIM**

(51) **LOC (9) Cl.** ..... **02-03**

The ornamental design for a golf cap, as shown and described.

(52) **U.S. Cl.** ..... **D2/879**

**DESCRIPTION**

(58) **Field of Classification Search** ..... D2/865,  
D2/866, 871, 872, 873, 875, 876, 877, 879,  
D2/880, 881, 882, 884, 886, 887, 889, 891,  
D2/892, 893, 895; D16/900; 2/10, 171,  
2/171.1, 171.5, 171.6, 171.7, 171.8, 172,  
2/175.1, 175.3, 175.6, 195.1, 195.2, 195.4,  
2/195.7, 195.8, 209.12, 109.13, 209.14  
See application file for complete search history.

FIG. 1 is a perspective view of a golf cap according to my new design;

FIG. 2 is a front elevational view thereof;

FIG. 3 is a rear elevational view thereof;

FIG. 4 is a left side elevational view thereof;

FIG. 5 is a right side elevational view thereof;

FIG. 6 is a top plan view thereof; and

FIG. 7 is a bottom plan view thereof; and,

FIG. 8 is a perspective view of the golf cap of FIGS. 1–7 in which the free corners of the neck shade are attached by hook-and loop fasteners to the back surface thereof.

In FIGS. 1–8, the light grey texture shown on the rectangular shape on the rear upper surface of the neck shade, as well as the two under-surfaces of the visor, illustrates the hook-and-loop fastening material. The darker grey texture on the interior surface and lower outer surface of the neck shade illustrate a netted material.

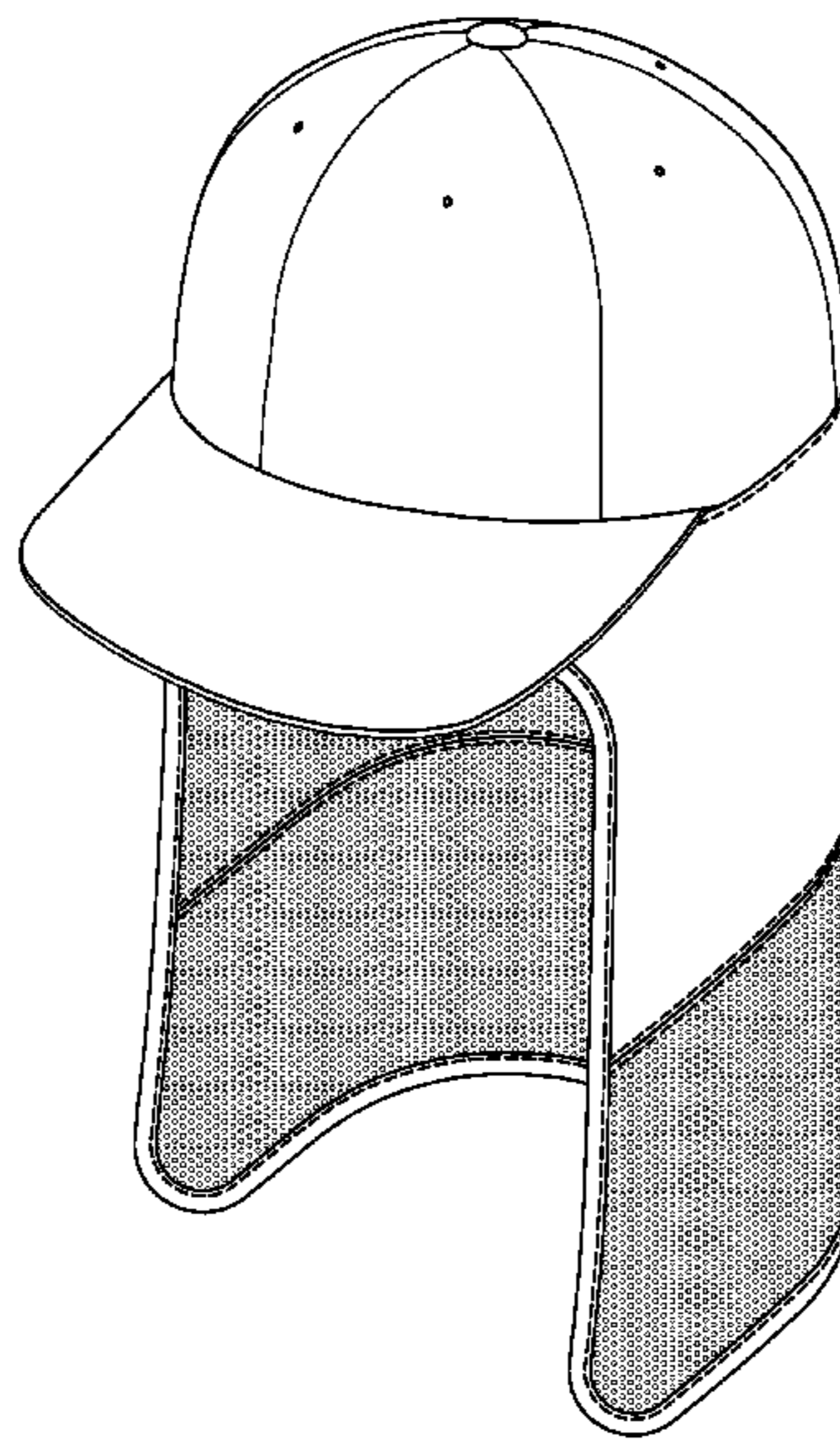
The broken lines shown on the top edge of the neck shades, as well as along the rolled hem and on either side of the central seam represent stitching and form no part of the claimed design.

(56) **References Cited**

U.S. PATENT DOCUMENTS

876,452	A *	1/1908	Harrison et al.	2/4
889,640	A *	6/1908	Sherman	2/172
4,980,928	A *	1/1991	Ellis	2/88
5,153,943	A *	10/1992	Clement	2/418
5,201,077	A *	4/1993	Dondlinger	2/209.3
5,355,535	A *	10/1994	Bruder	2/172
5,400,440	A *	3/1995	Clifford	2/172
5,493,734	A *	2/1996	Nieves-Rivera	2/209.13
5,623,732	A *	4/1997	Olajide, Jr.	2/195.1
D383,890	S *	9/1997	Downs	D2/841
5,666,668	A *	9/1997	Ronquillo	2/172
5,669,074	A *	9/1997	Newman, Jr.	2/172
5,685,017	A *	11/1997	Kraft	2/171.1
5,713,076	A *	2/1998	Davis	2/4
D402,088	S *	12/1998	Edwards	D2/866
D402,791	S *	12/1998	Mishal	D2/879

**1 Claim, 8 Drawing Sheets**



# US D591,485 S

Page 2

---

## U.S. PATENT DOCUMENTS

5,887,287	A *	3/1999	Potochnik .....	2/209.13	6,802,083	B2 *	10/2004	Yan .....	2/209.13
5,950,888	A *	9/1999	Nolan-Brown .....	224/172	D509,046	S *	9/2005	Patterson .....	D2/866
D420,493	S *	2/2000	Blake .....	D2/866	6,966,072	B1 *	11/2005	Kobayashi .....	2/209.13
6,131,201	A *	10/2000	Chu .....	2/172	D526,471	S *	8/2006	Cashin .....	D2/866
6,233,745	B1 *	5/2001	Friesen .....	2/172	7,310,829	B1 *	12/2007	Engel-Wilson .....	2/209.13
D456,108	S *	4/2002	Frederick .....	D2/629	2004/0139530	A1 *	7/2004	Yan .....	2/209.13

\* cited by examiner

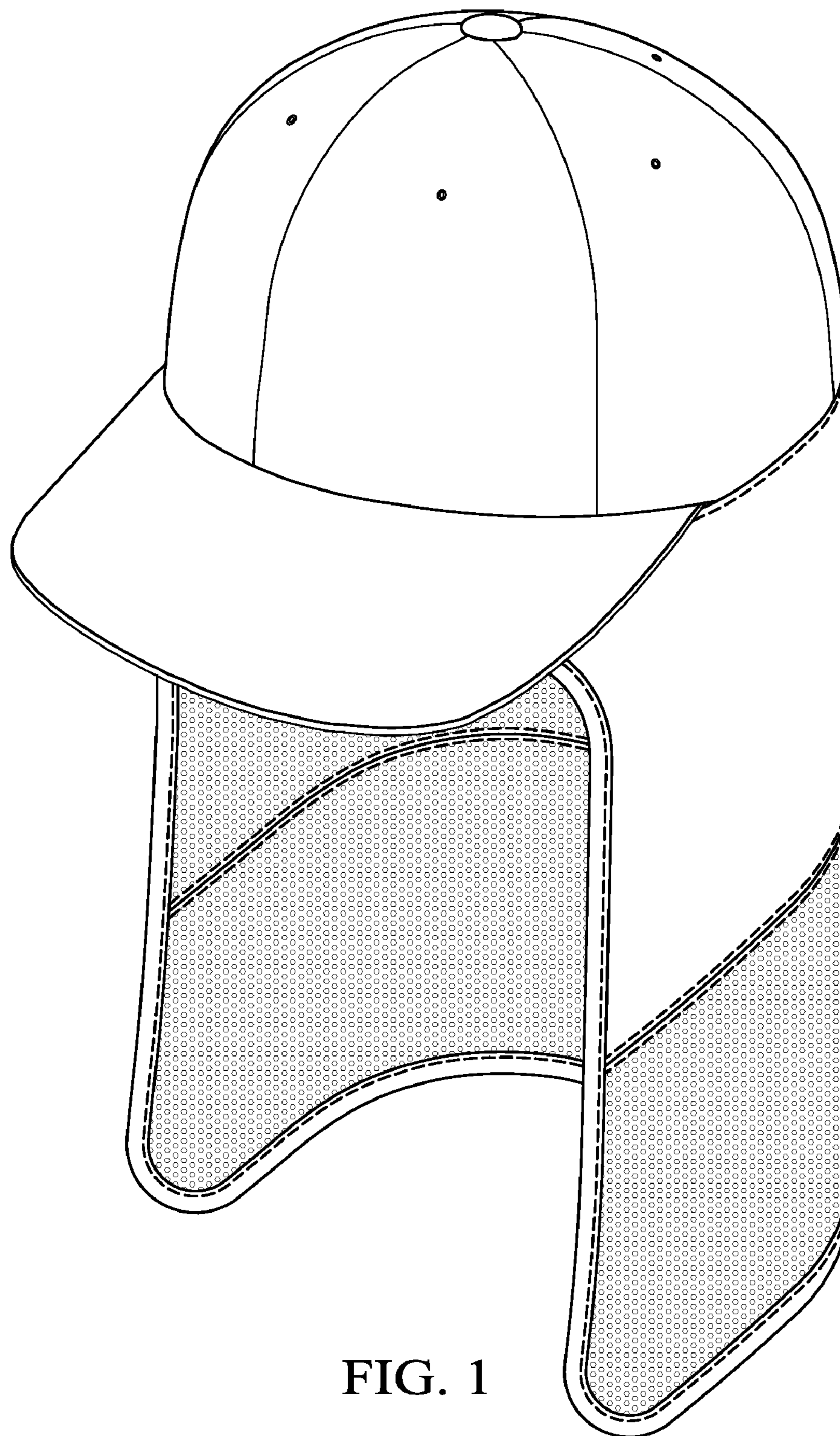


FIG. 1



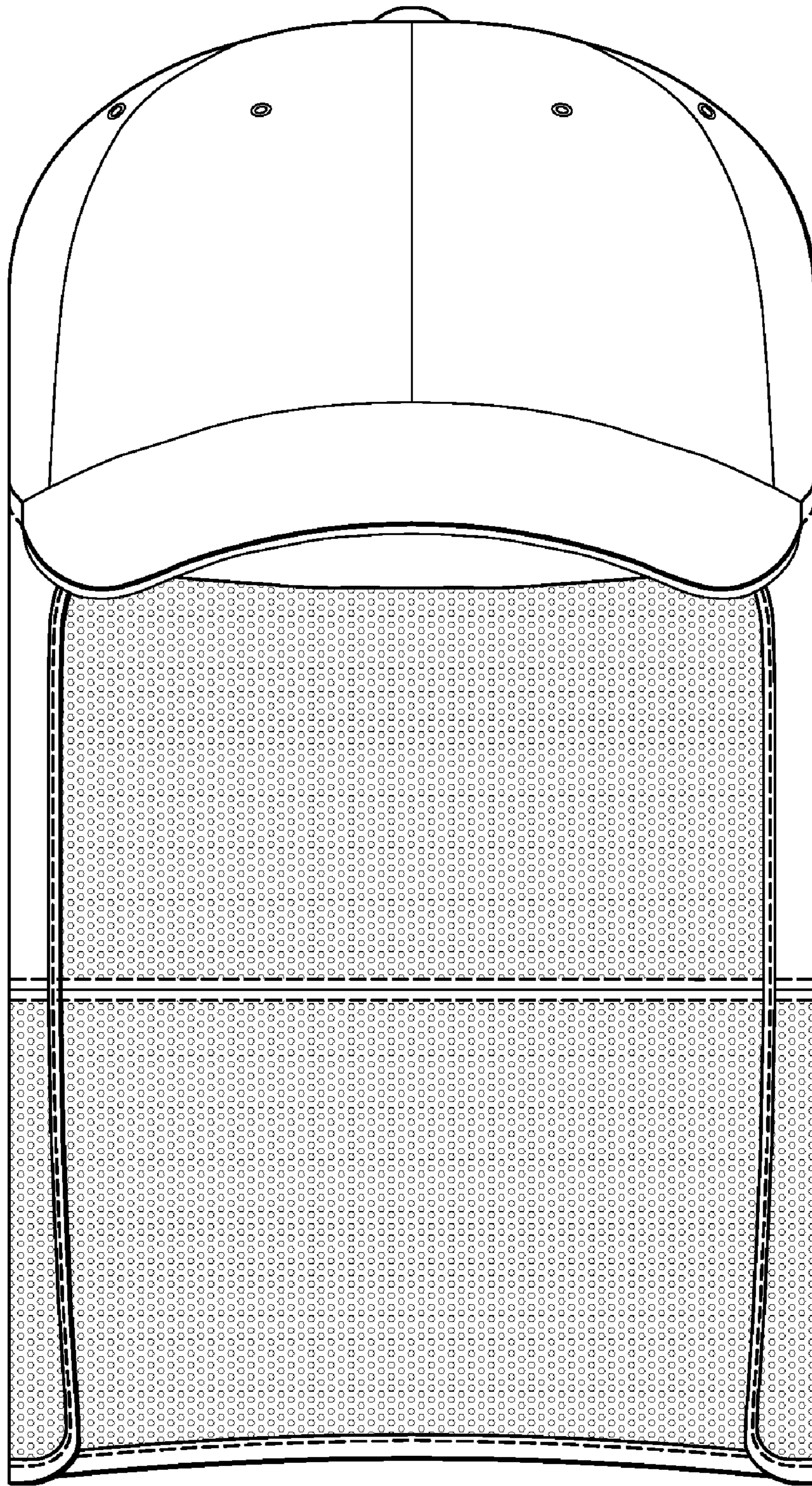


FIG. 2

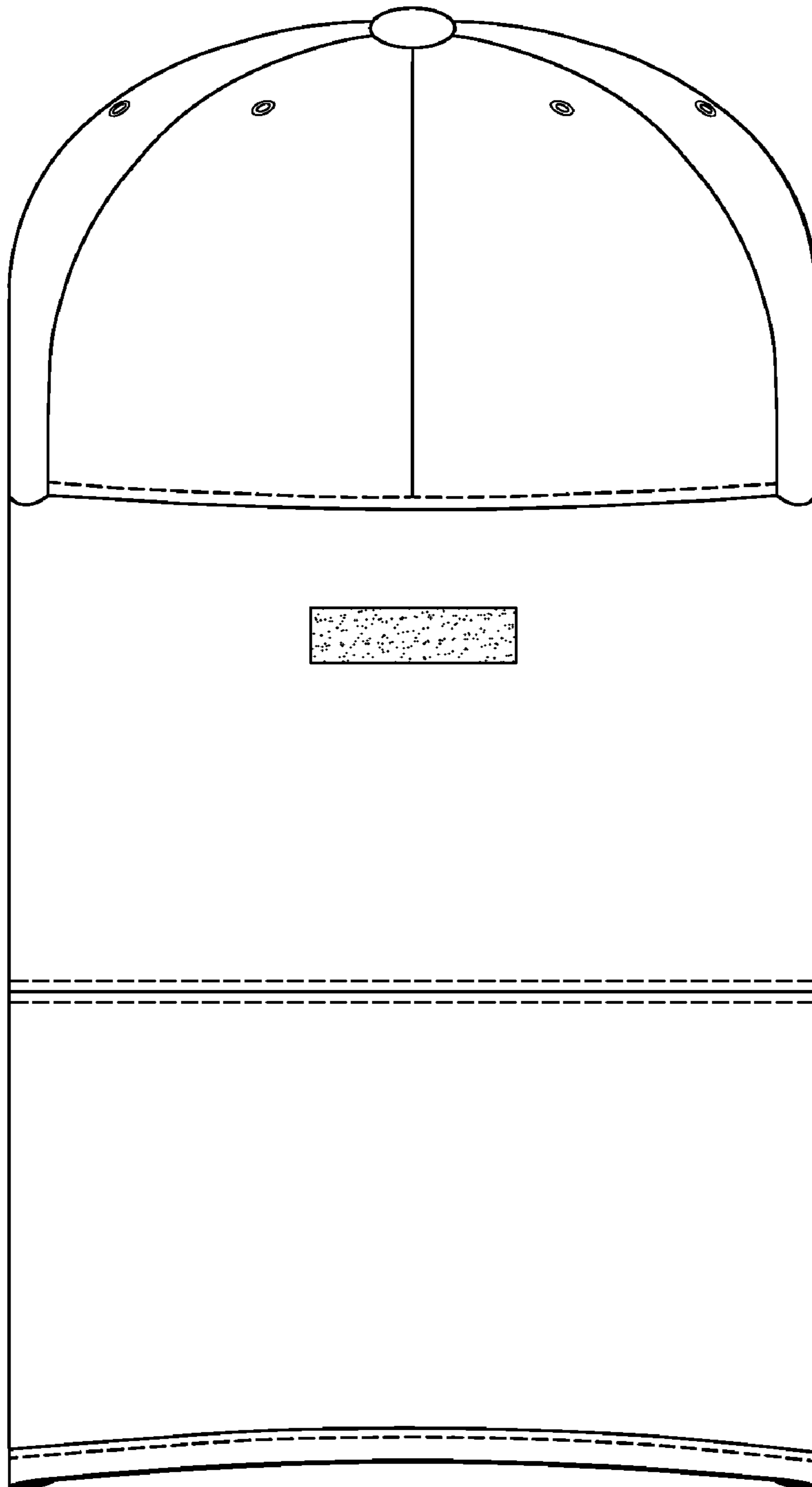


FIG. 3

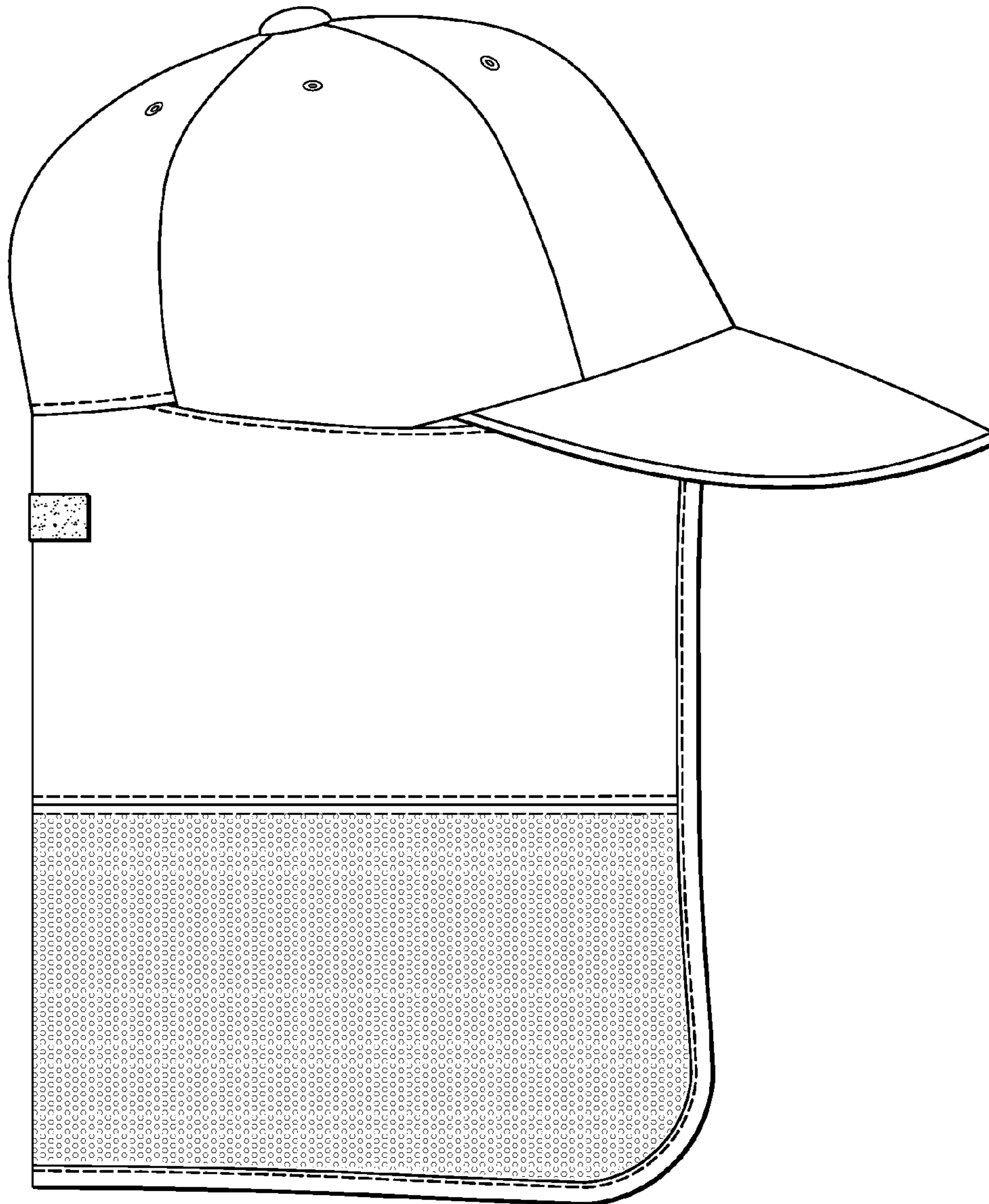


FIG. 4



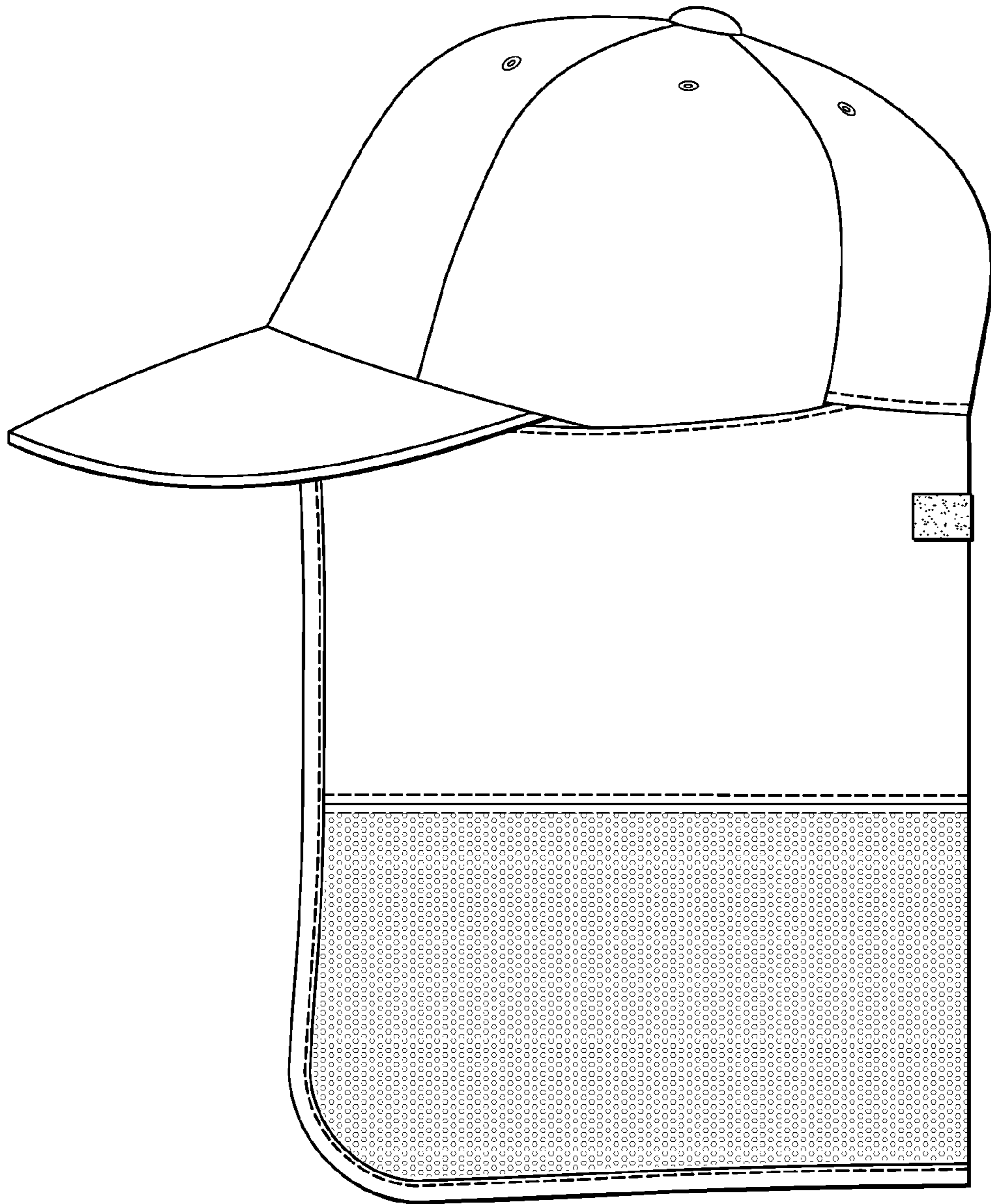


FIG. 5

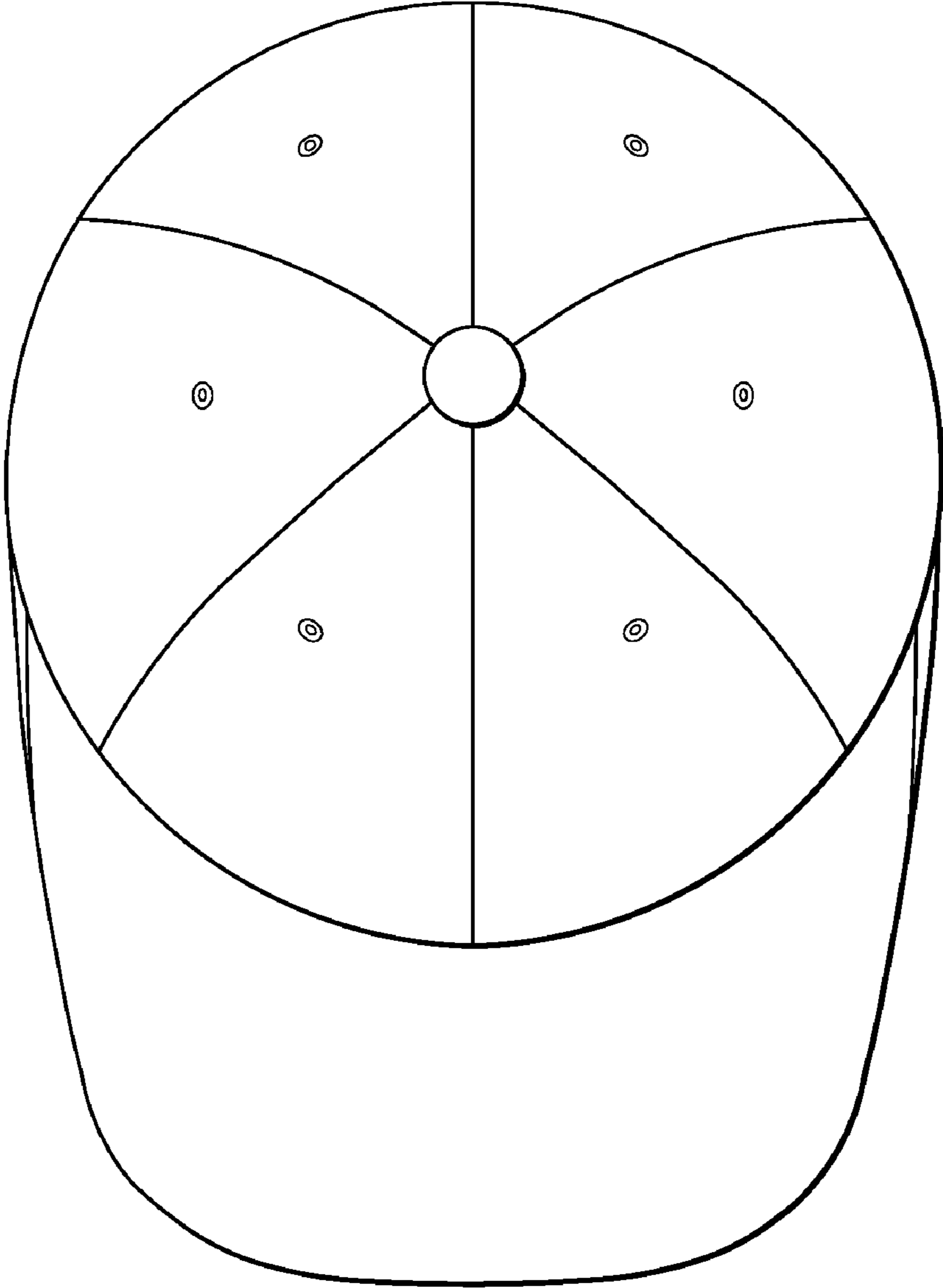


FIG. 6



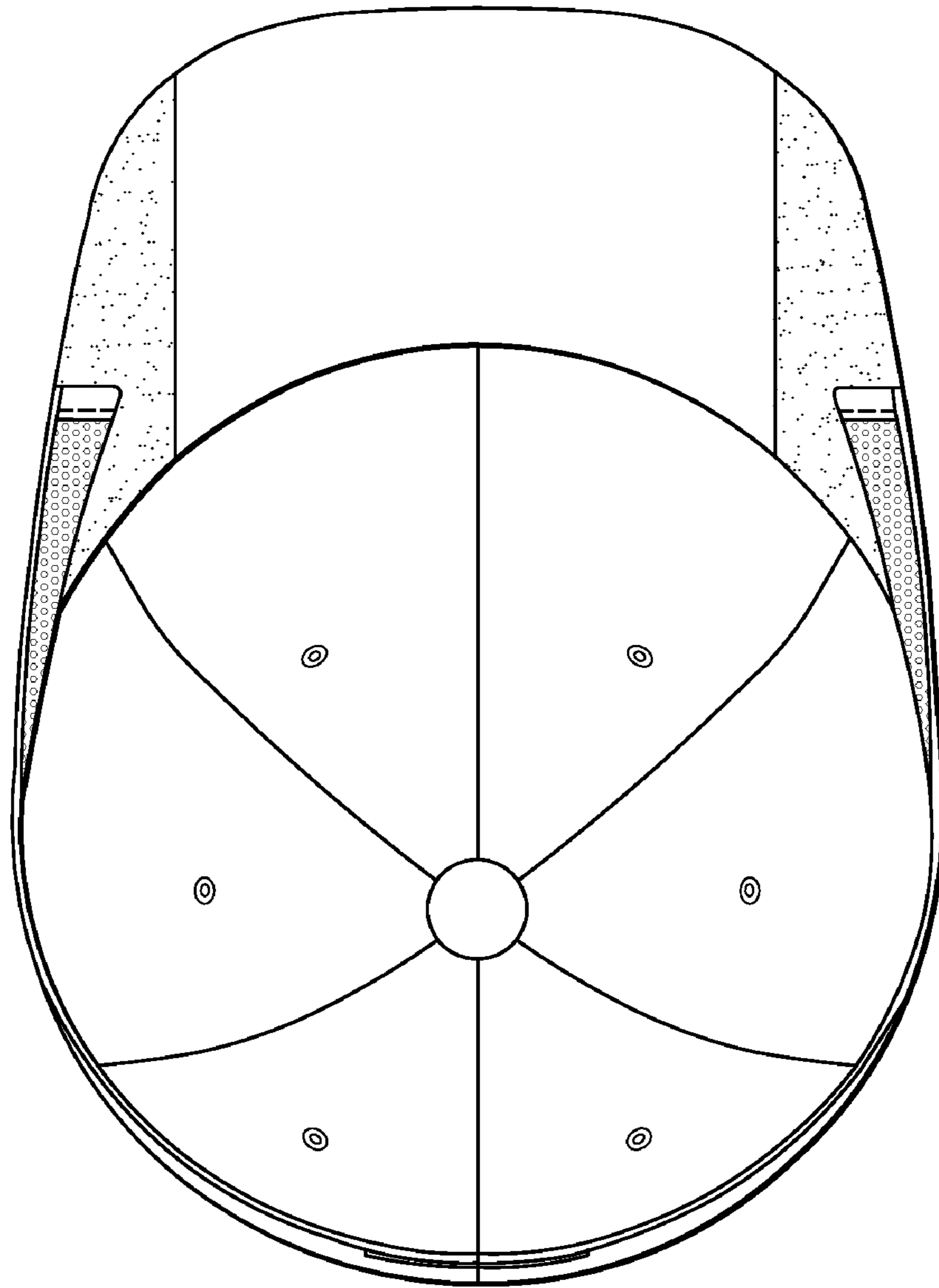


FIG. 7

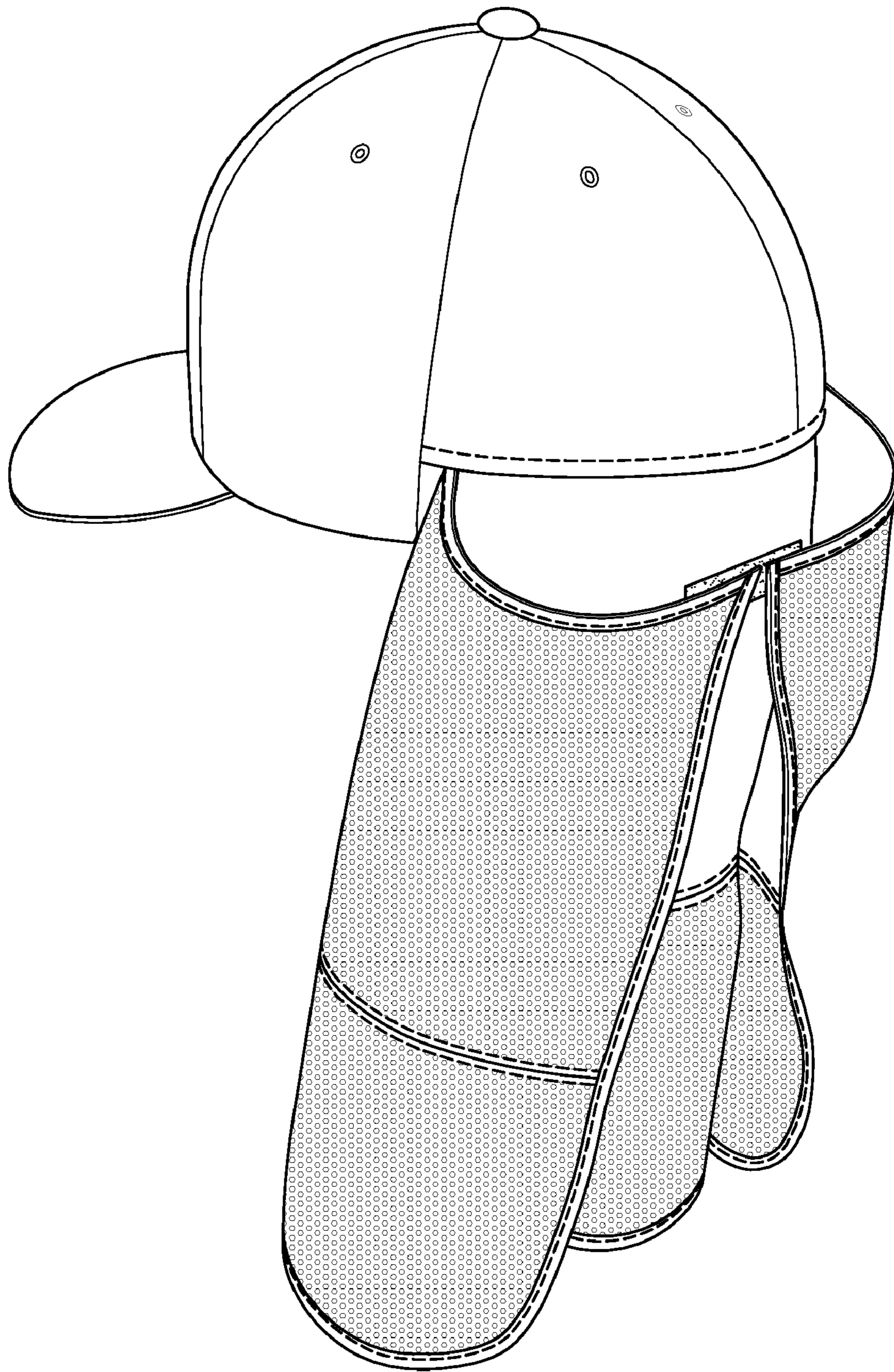


FIG. 8